



US00D451780B1

(12) **United States Design Patent**  
**Laabs et al.**

(10) **Patent No.:** **US D451,780 S**

(45) **Date of Patent:** **\*\* Dec. 11, 2001**

(54) **KNOB AND ESCUTCHEON PORTIONS OF A THUMB TURN LATCH**

6,170,305 \* 1/2001 Shan .

**OTHER PUBLICATIONS**

(75) Inventors: **Timothy P. Laabs**, Palatine; **Michael O. Misner**, Lake Villa, both of IL (US)

Illinois Lock Company "Full Line Catalog" p. 7, 8, 22, 27 showing LD614, TL7058 & KL137 Cam Locks, Wheeling, IL. 60090, dated at least as early as Jun., 2000.\*

(73) Assignee: **The Eastern Company**, Wheeling, IL (US)

\* cited by examiner

(\*\*) Term: **14 Years**

*Primary Examiner*—B. J. Bullock

(74) *Attorney, Agent, or Firm*—David A. Burge

(21) Appl. No.: **29/138,238**

(57) **CLAIM**

(22) Filed: **Mar. 9, 2001**

We claim the ornamental design for knob and escutcheon portions of a thumb turn latch, as shown and described.

(51) **LOC (7) Cl.** ..... **08-06**

(52) **U.S. Cl.** ..... **D8/307**

(58) **Field of Search** ..... D8/300, 307–312, D8/320, 339, 338, 341; D23/250–4; 292/336.3, 347, 356, 357, DIG. 12, DIG. 30, DIG. 37; 16/110.1, 412–417, 419, 438, 441, 443

**DESCRIPTION**

(56) **References Cited**

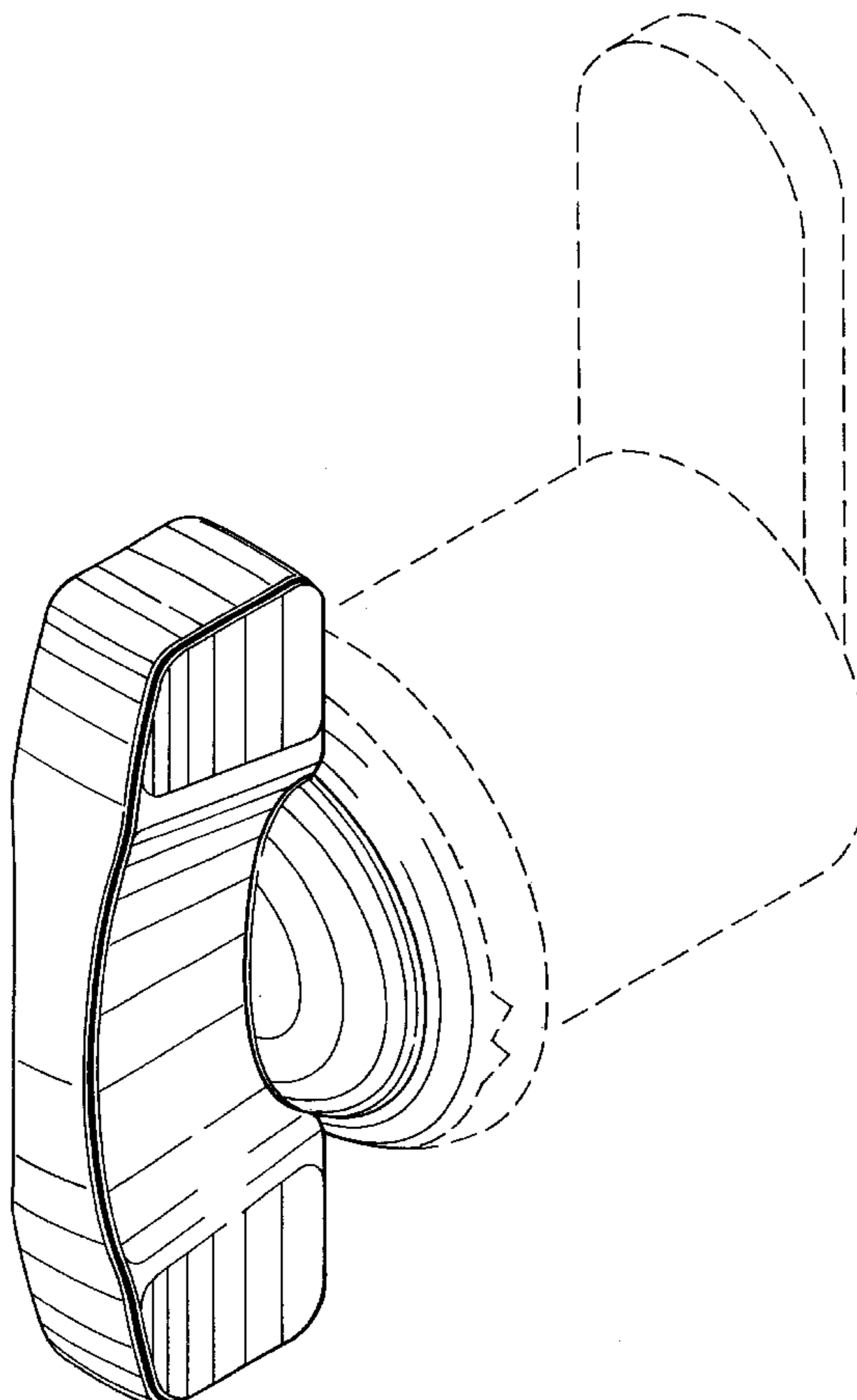
FIG. 1 is perspective view of knob and escutcheon portions of a thumb turn latch showing our new design; FIG. 2 is a front elevational view thereof, on an enlarged scale; FIG. 3 is a top plan view thereof; and, FIG. 4 is a right side elevational view thereof, it being understood that the left side view is a mirror image of the right side view.

**U.S. PATENT DOCUMENTS**

- D. 435,781 \* 1/2001 Freck ..... D8/338
- 2,585,643 \* 2/1952 Feldman ..... 70/81
- 4,014,573 \* 3/1977 Lehnoff ..... 292/347
- 5,027,629 \* 7/1991 Liu .
- 5,265,454 \* 11/1993 Crocco et al. .... 70/380
- 5,586,796 \* 12/1996 Fraser ..... 292/357

The broken-line disclosure of elements of a thumb turn latch is provided for illustrative purposes only and forms no part of the claimed design.

**1 Claim, 4 Drawing Sheets**



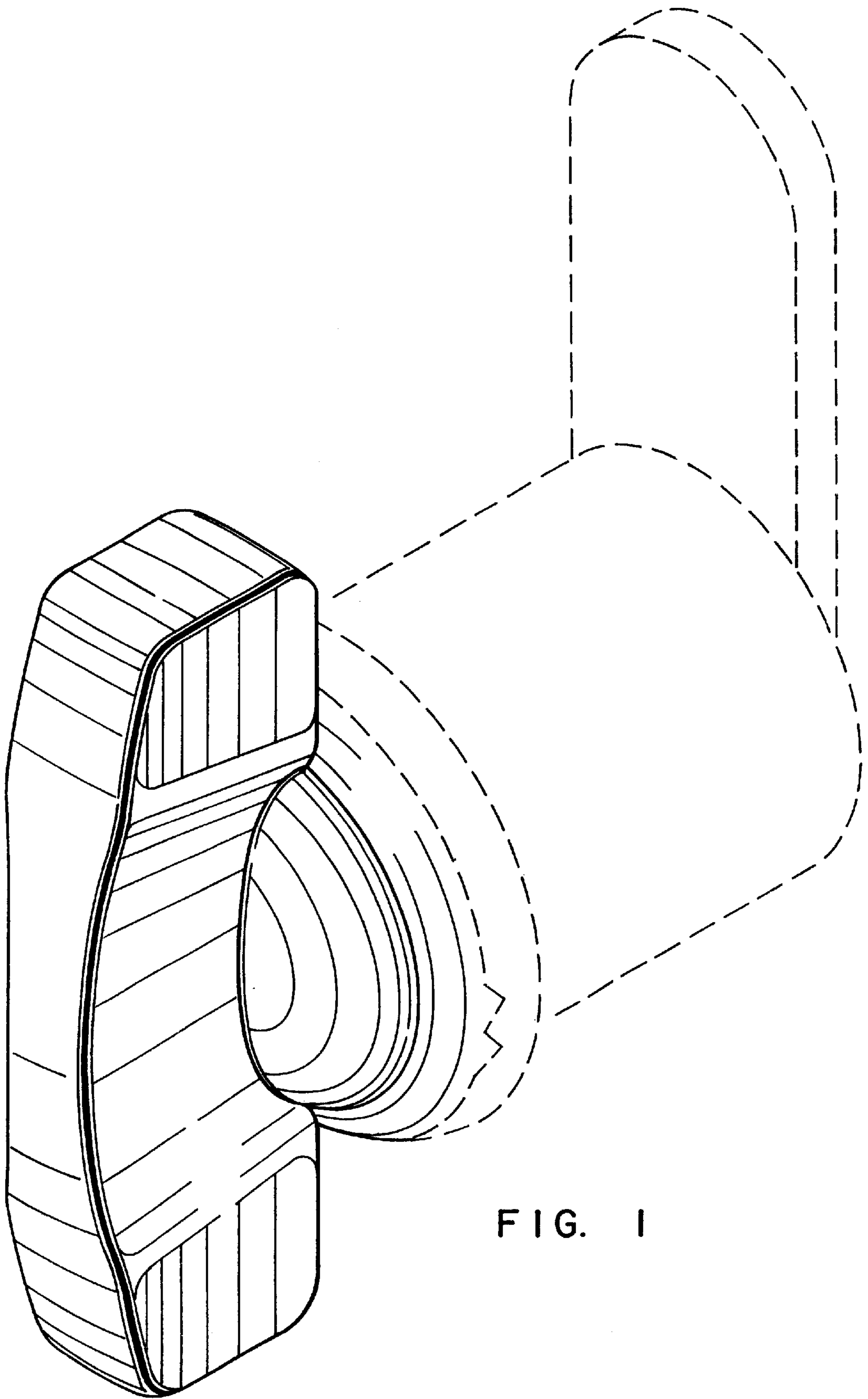


FIG. 1

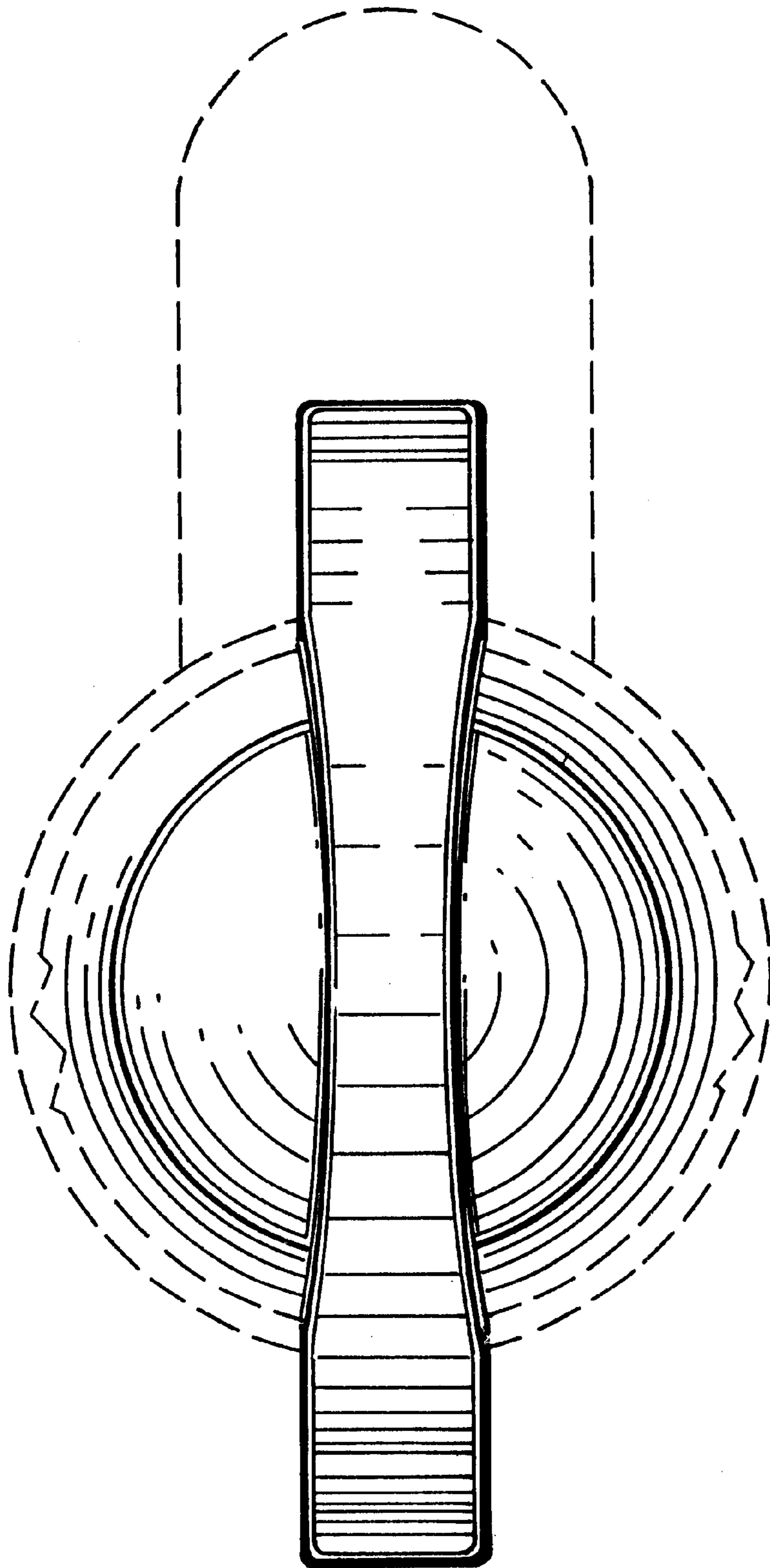


FIG. 2

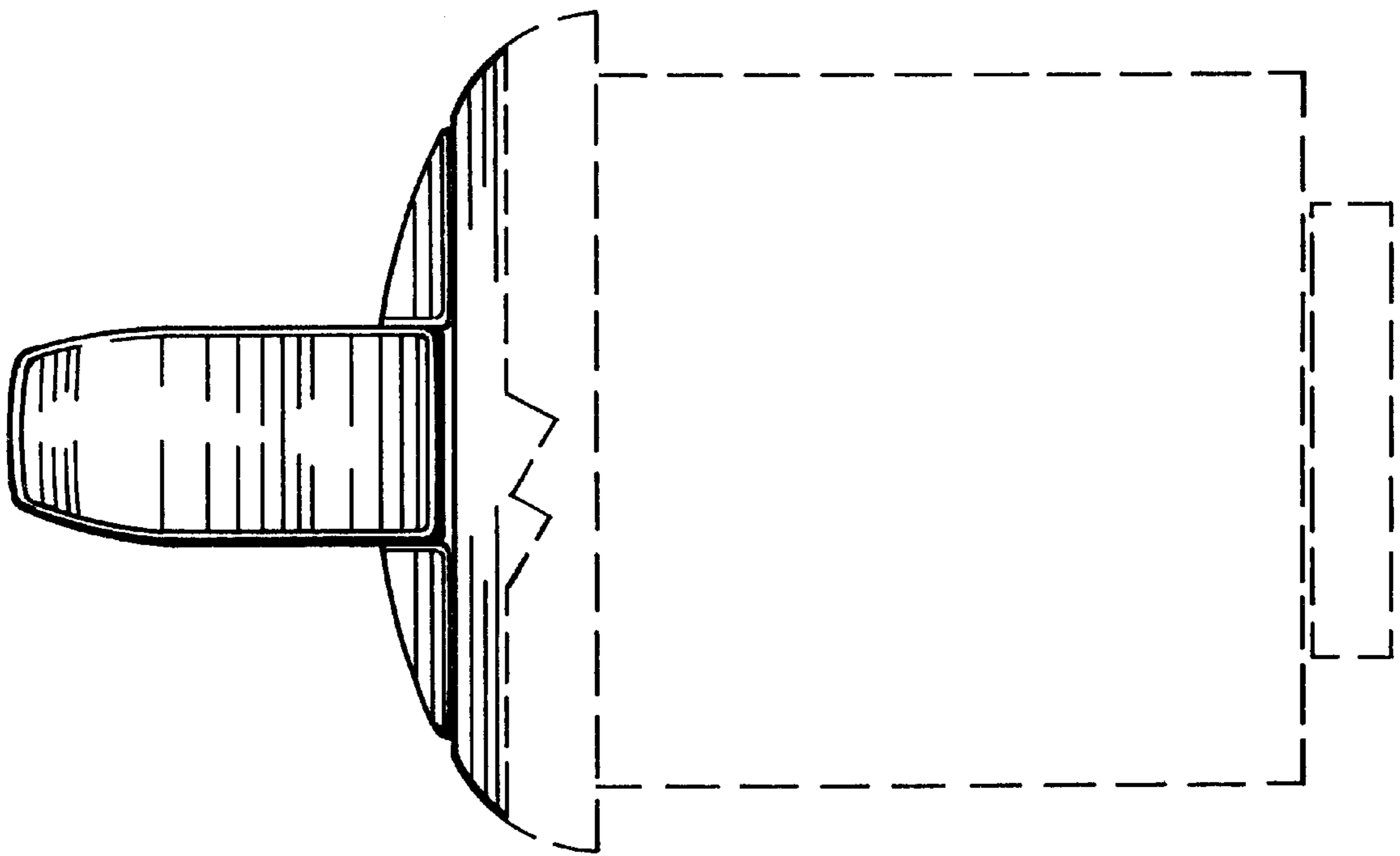


FIG. 3

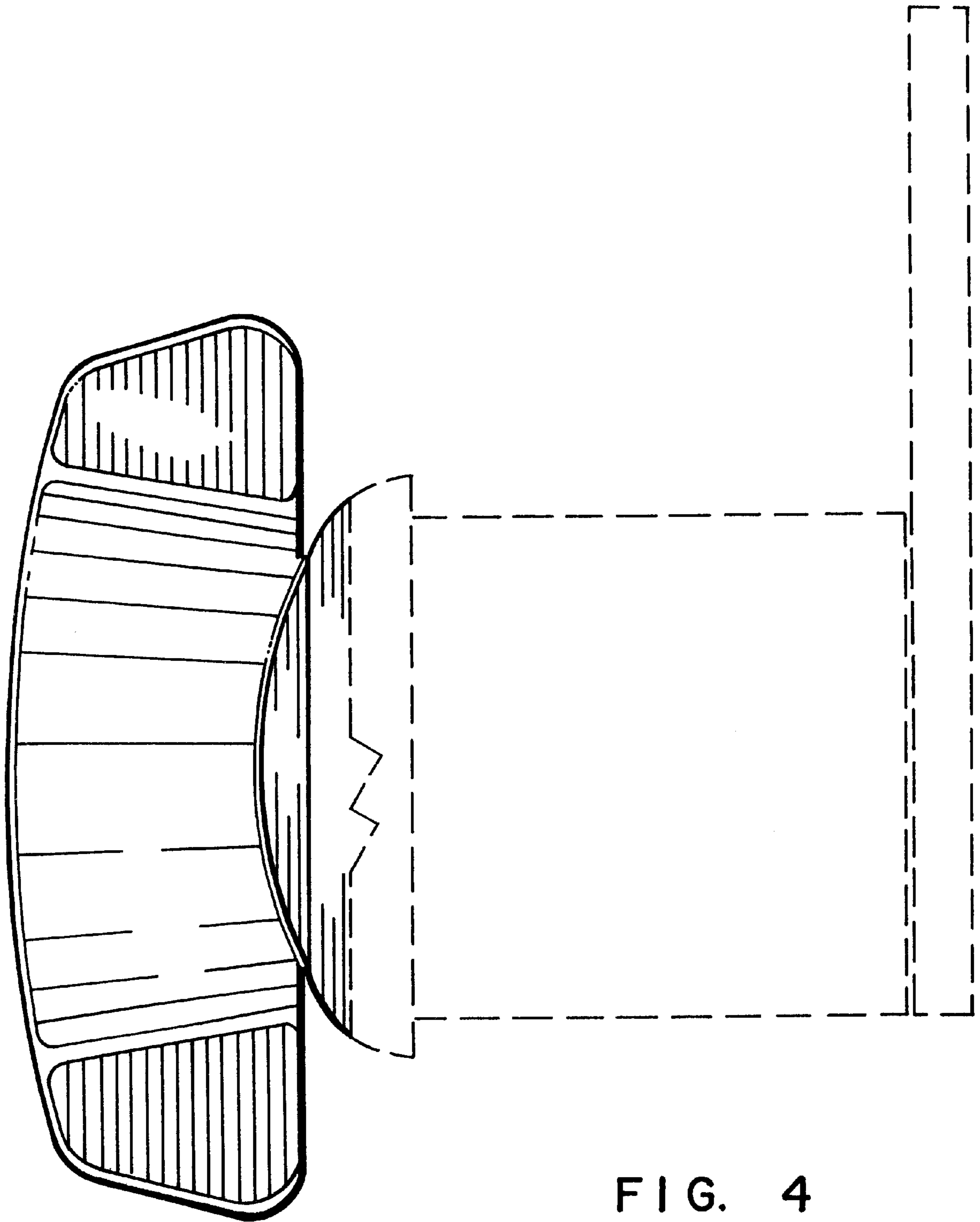


FIG. 4