



US00D451777B1

(12) **United States Design Patent**  
**Schoonderwoerd**

(10) **Patent No.:** **US D451,777 S**

(45) **Date of Patent:** **\*\* Dec. 11, 2001**

(54) **FINGER MOUNTED AUTO BODY TOOL**

(75) **Inventor:** **Robert G. Schoonderwoerd**, Sagle, ID (US)

(73) **Assignee:** **Catalyst Industries**, Coeur d'Alene, ID (US)

(\*\*) **Term:** **14 Years**

(21) **Appl. No.:** **29/133,347**

(22) **Filed:** **Nov. 28, 2000**

(51) **LOC (7) Cl.** ..... **08-02**

(52) **U.S. Cl.** ..... **D8/75; D8/78; D8/47**

(58) **Field of Search** ..... D8/14, 47, 75, D8/76, 77, 78, 79, 80, 81, 88, 89; 81/19, 20, 21; 7/143, 146; 72/479, 466.6, 476

(56) **References Cited**

**U.S. PATENT DOCUMENTS**

D. 153,959	*	5/1949	Loser	.....	D8/46
D. 155,426	*	10/1949	Ince	.....	D8/75
D. 295,602	*	5/1988	Williamson	.....	D8/78
D. 303,073	*	8/1989	Johnsen	.....	D8/78

2,483,193 \* 9/1949 Glaskin ..... 7/143

2,525,429 \* 10/1950 Seip ..... 7/143

5,461,900 \* 10/1995 Gutierrez ..... 72/479

\* cited by examiner

*Primary Examiner*—Philip S. Hyder

(74) *Attorney, Agent, or Firm*—Wells, St. John

(57) **CLAIM**

The ornamental design for a finger mounted auto body tool, as shown and described.

**DESCRIPTION**

FIG. 1 is an enlarged perspective view of an auto body tool showing my new design;

FIG. 2 is a front elevation view thereof, the opposite rear elevation being a mirror image;

FIG. 3 is a top plan view thereof;

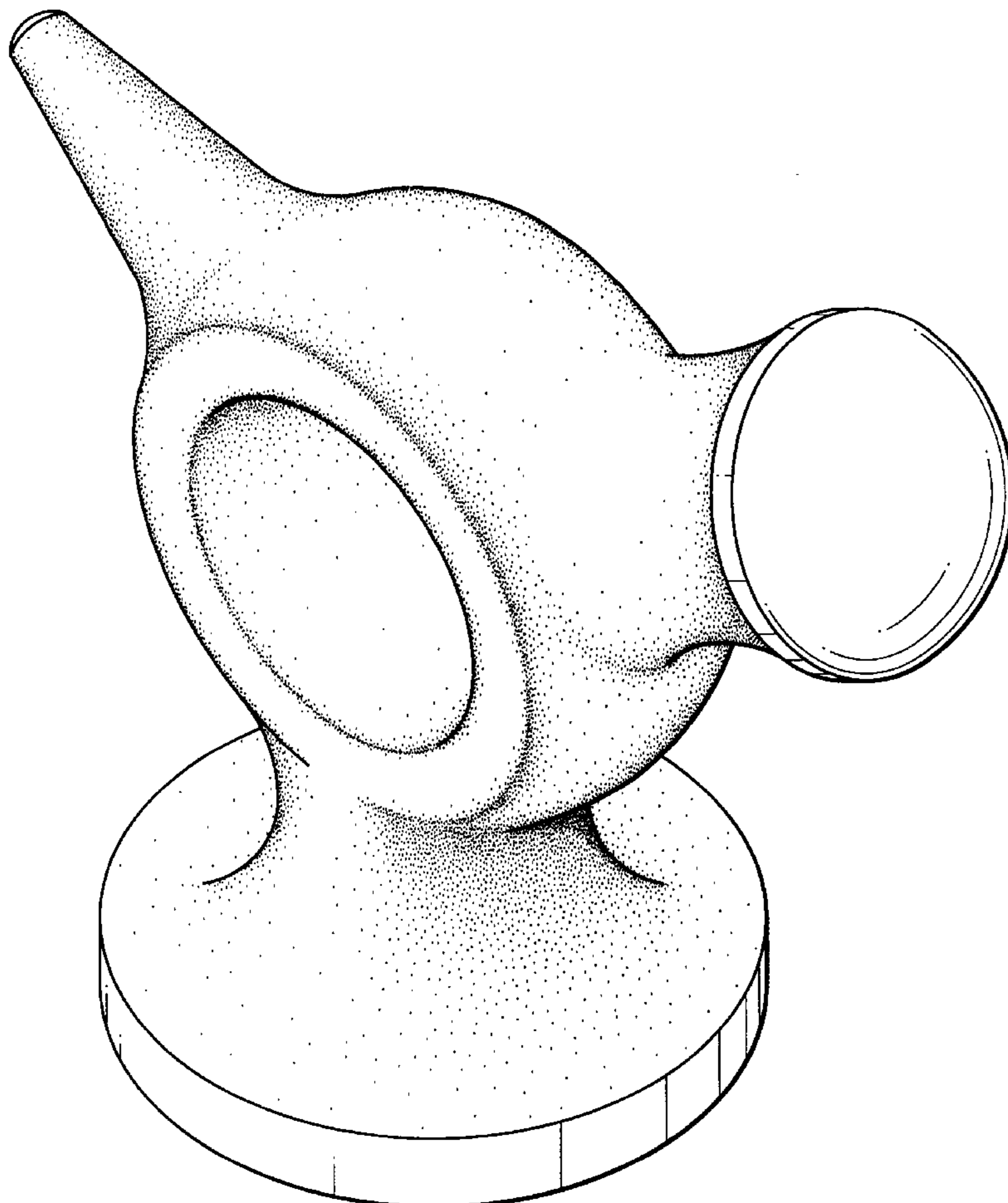
FIG. 4 is a bottom plan view thereof;

FIG. 5 is a side view thereof as seen from the left in FIG. 2;

FIG. 6 is a side view thereof as seen from the right in FIG. 2; and,

FIG. 7 is a sectional view thereof taken along line 7—7 in FIG. 2.

**1 Claim, 4 Drawing Sheets**



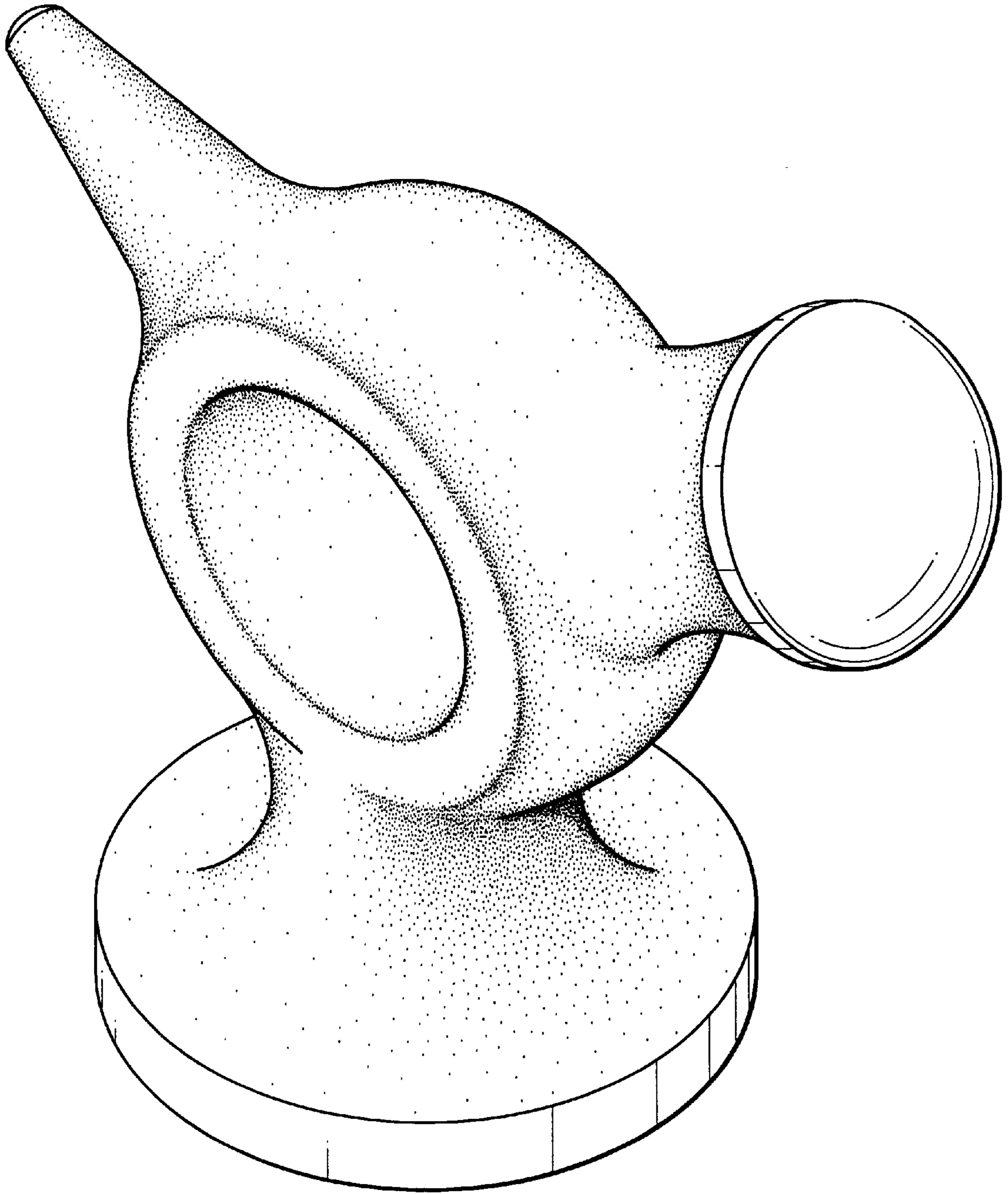
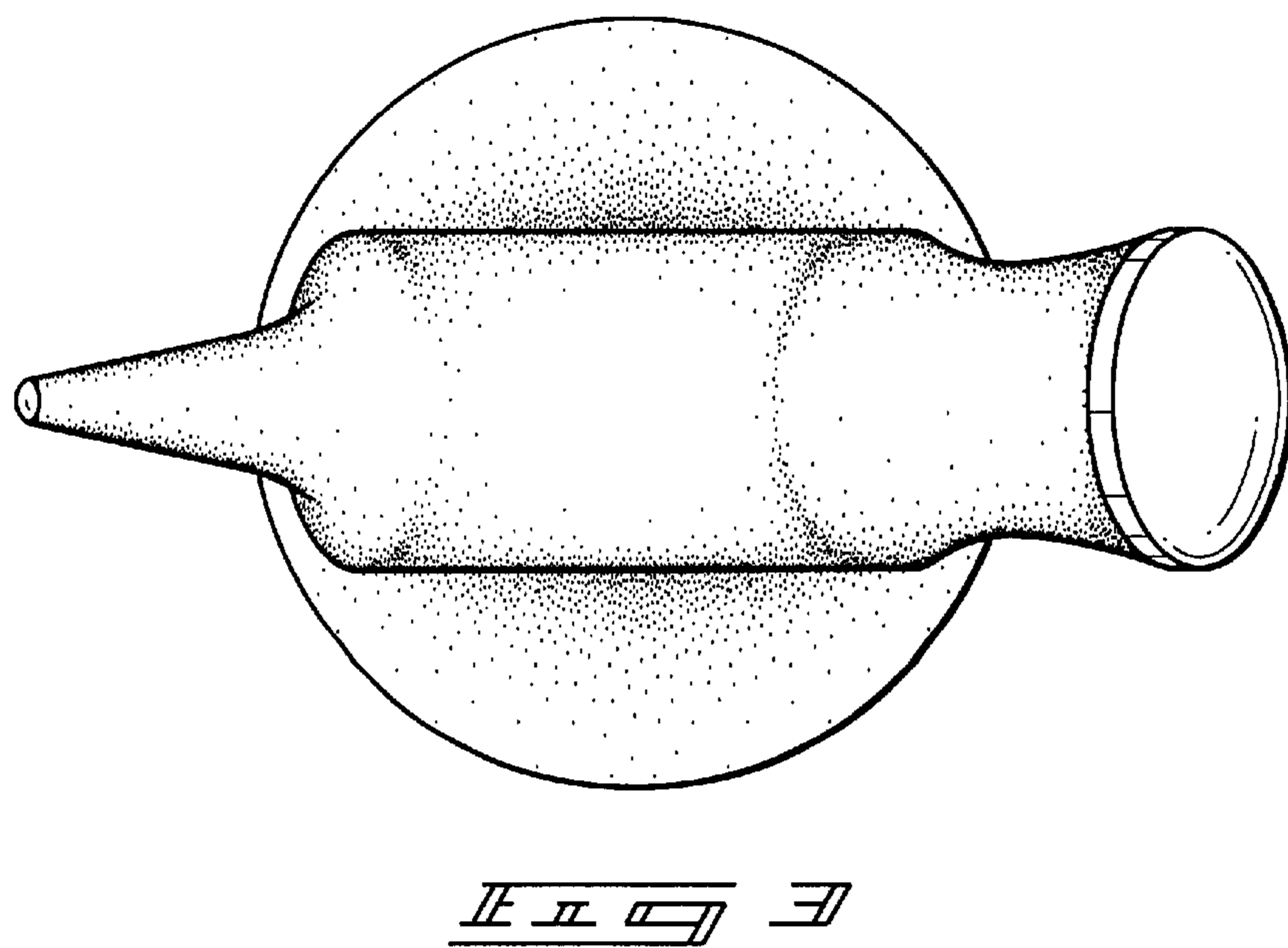
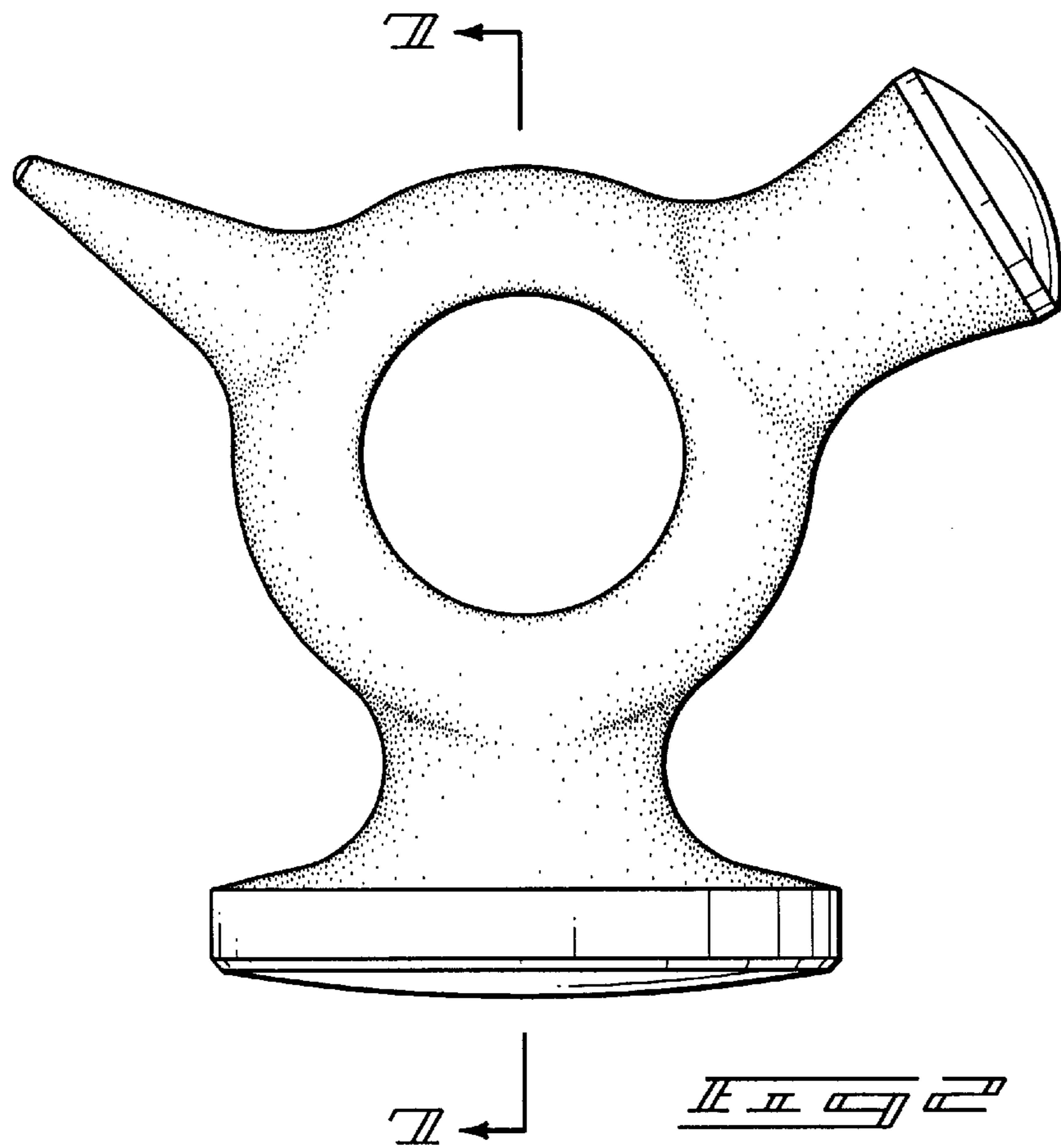


FIG. 1



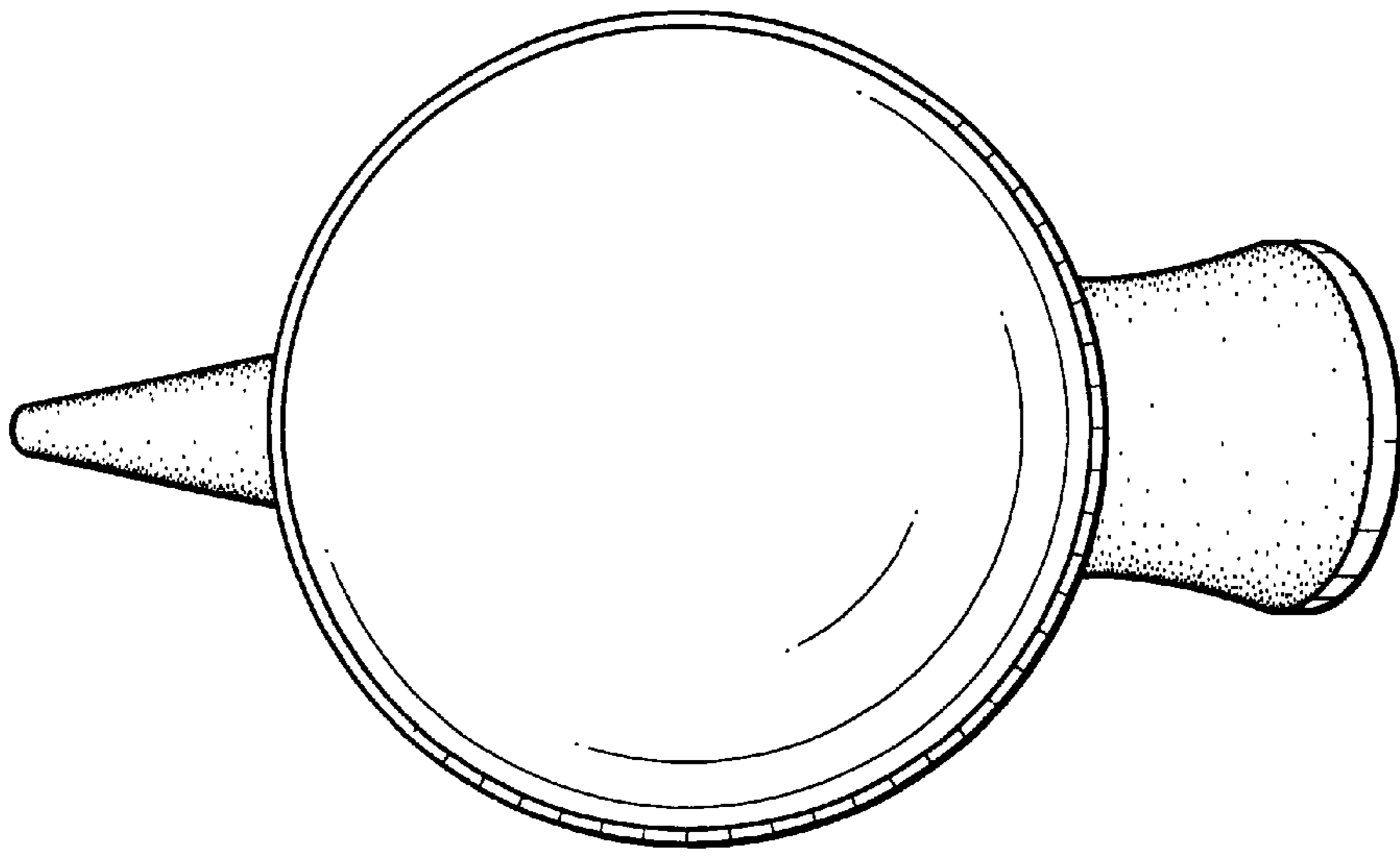


FIG. 4

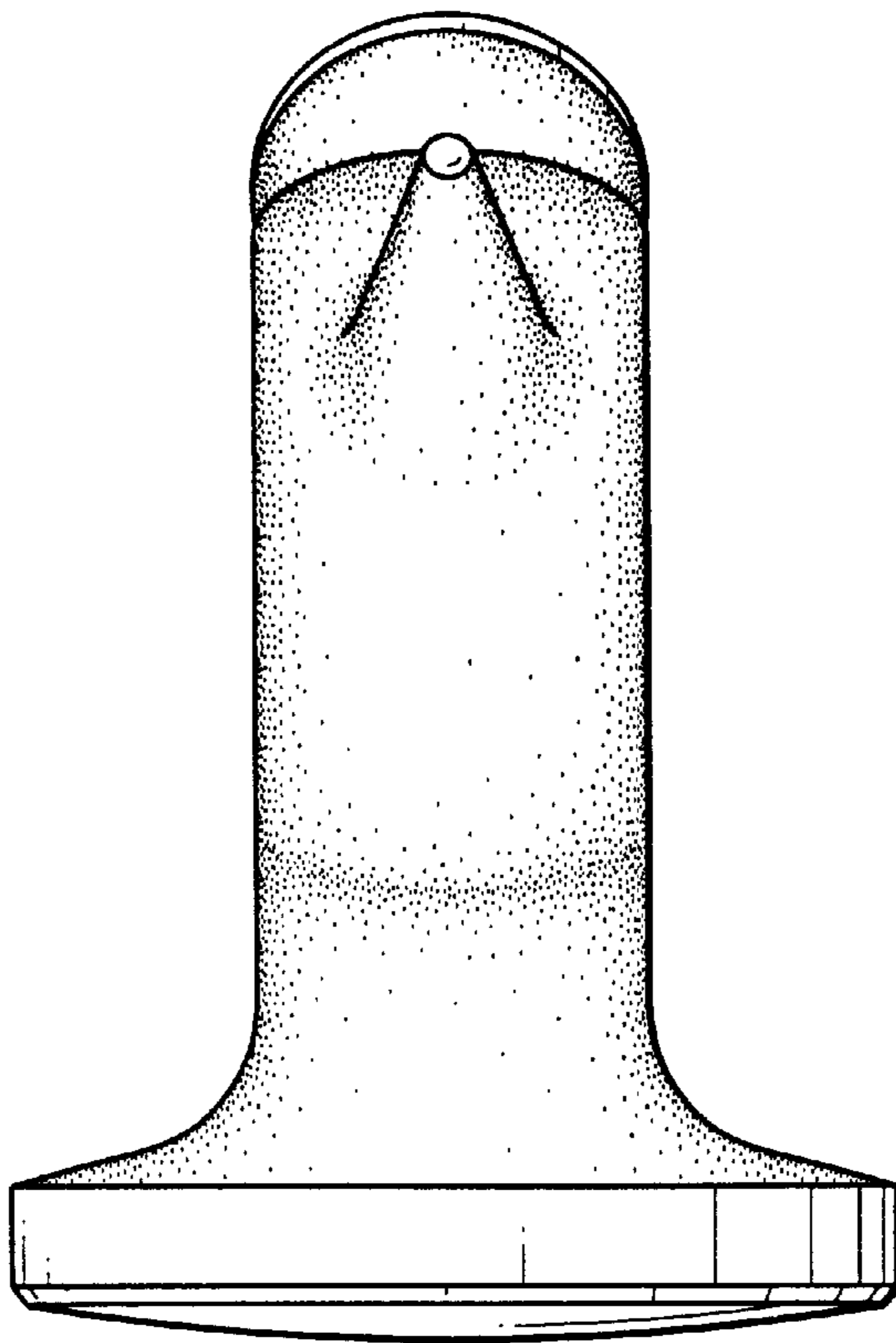


FIG. 5

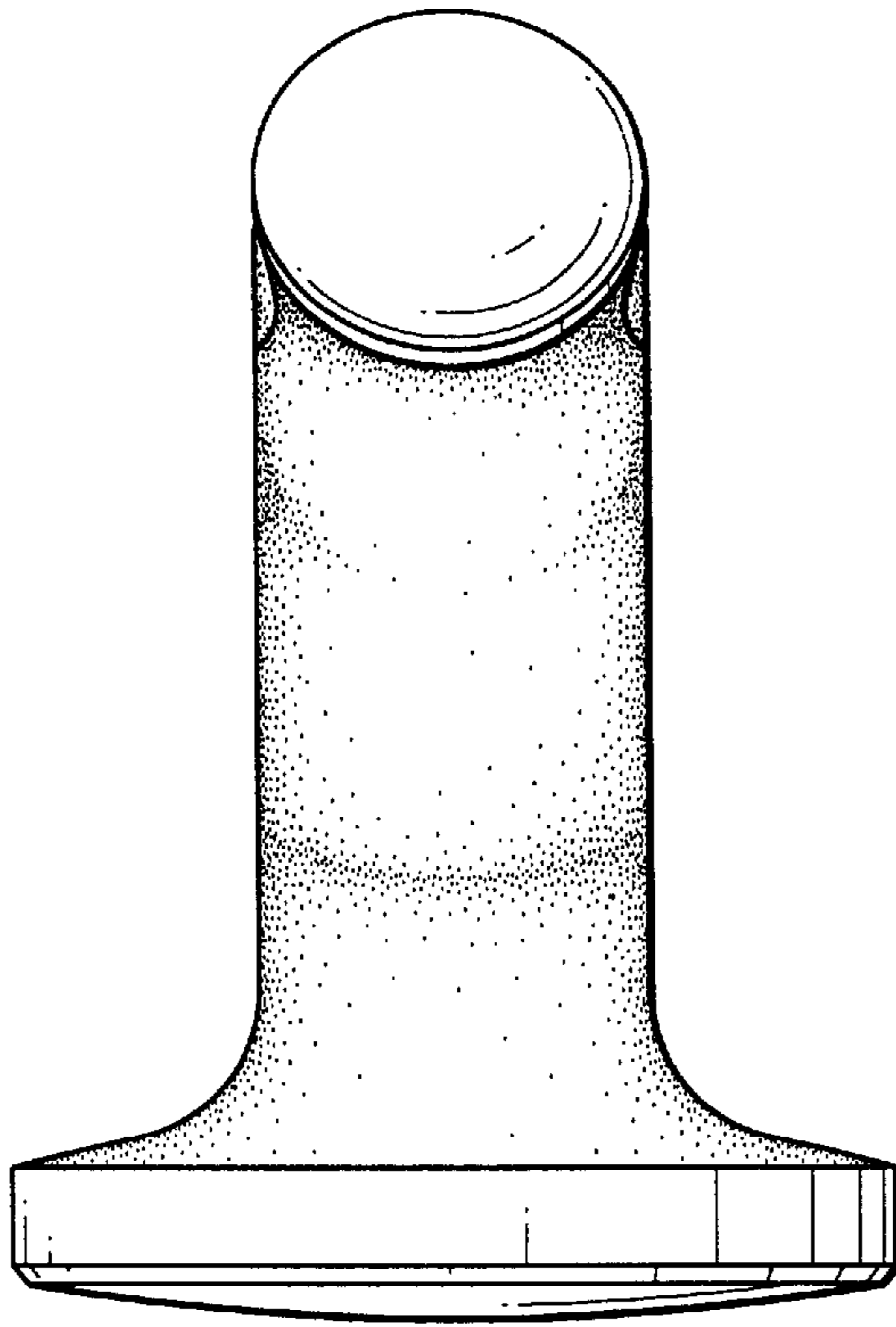


Fig. 4

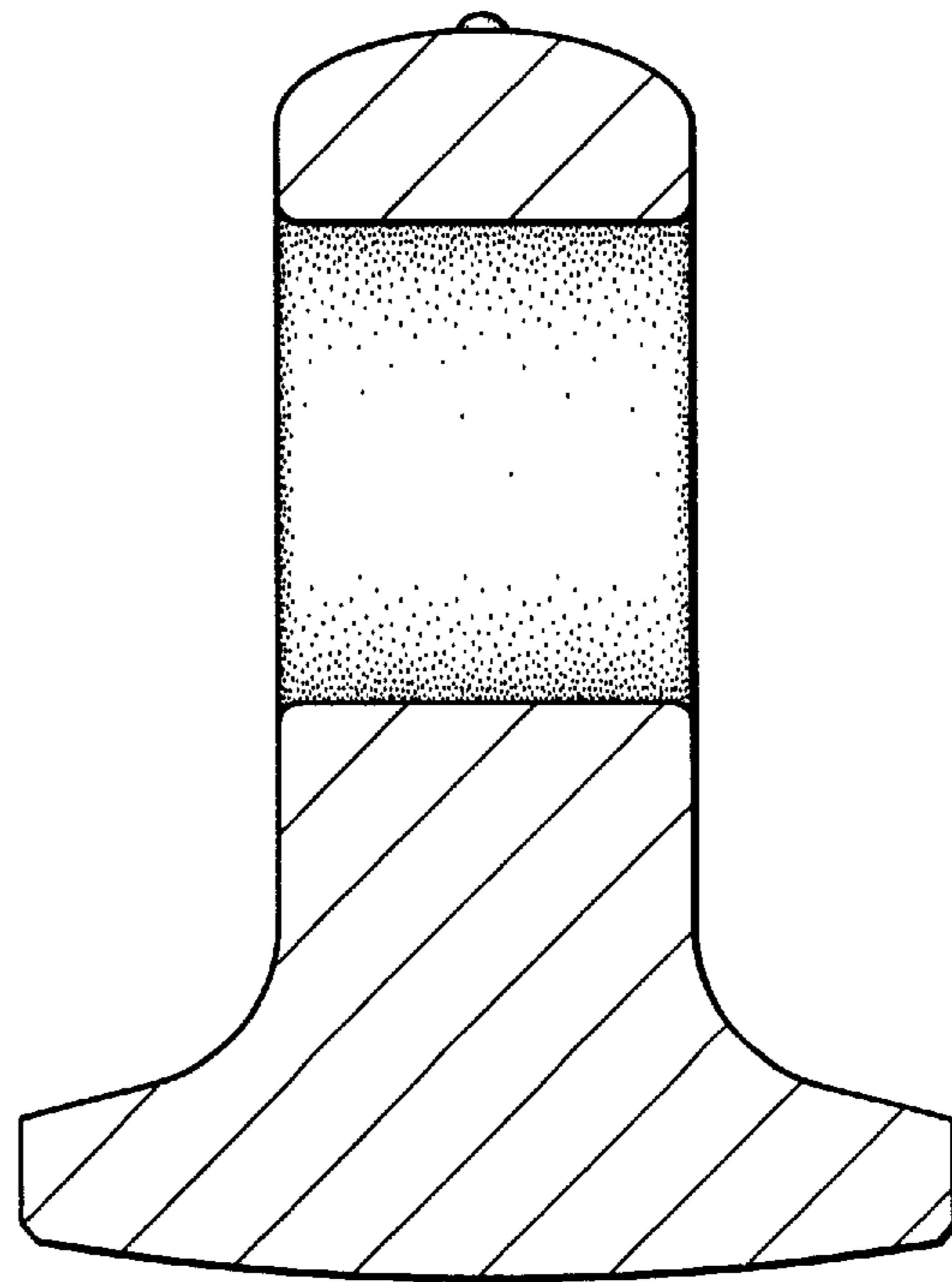


Fig. 5