



US00D451757B1

(12) **United States Design Patent**
Shim

(10) **Patent No.:** **US D451,757 S**

(45) **Date of Patent:** **** Dec. 11, 2001**

(54) **HANDLE FOR KETTLE**

D. 192,257 * 2/1962 Ebstein D7/393
5,339,978 * 8/1994 Coppier D7/317 X

(75) Inventor: **Jae Jung Shim**, Inchon-shi (KR)

* cited by examiner

(73) Assignee: **HWA Sung Stainless Industrial Co., Ltd.**, Inchon (KR)

Primary Examiner—Terry A. Wallace
(74) *Attorney, Agent, or Firm*—Staas & Halsey LLP

(**) Term: **14 Years**

(57) **CLAIM**

(21) Appl. No.: **29/137,701**

The ornamental design for handle for kettle, as shown and described.

(22) Filed: **Feb. 28, 2001**

(30) **Foreign Application Priority Data**

DESCRIPTION

Nov. 14, 2000 (KR) 00-28999

FIG. 1 is a perspective view showing my new design;
FIG. 2 is a front elevational view thereof;
FIG. 3 is a rear elevational view thereof;
FIG. 4 is a left side elevational view thereof;
FIG. 5 is a right side elevational view thereof;
FIG. 6 is a top plan view thereof; and,
FIG. 7 is a bottom plan view thereof.

(51) **LOC (7) Cl.** **07-01**

(52) **U.S. Cl.** **D7/393**

(58) **Field of Search** D7/312, 313, 316-318,
D7/320-322, 393; 220/756; 222/475, 475.1

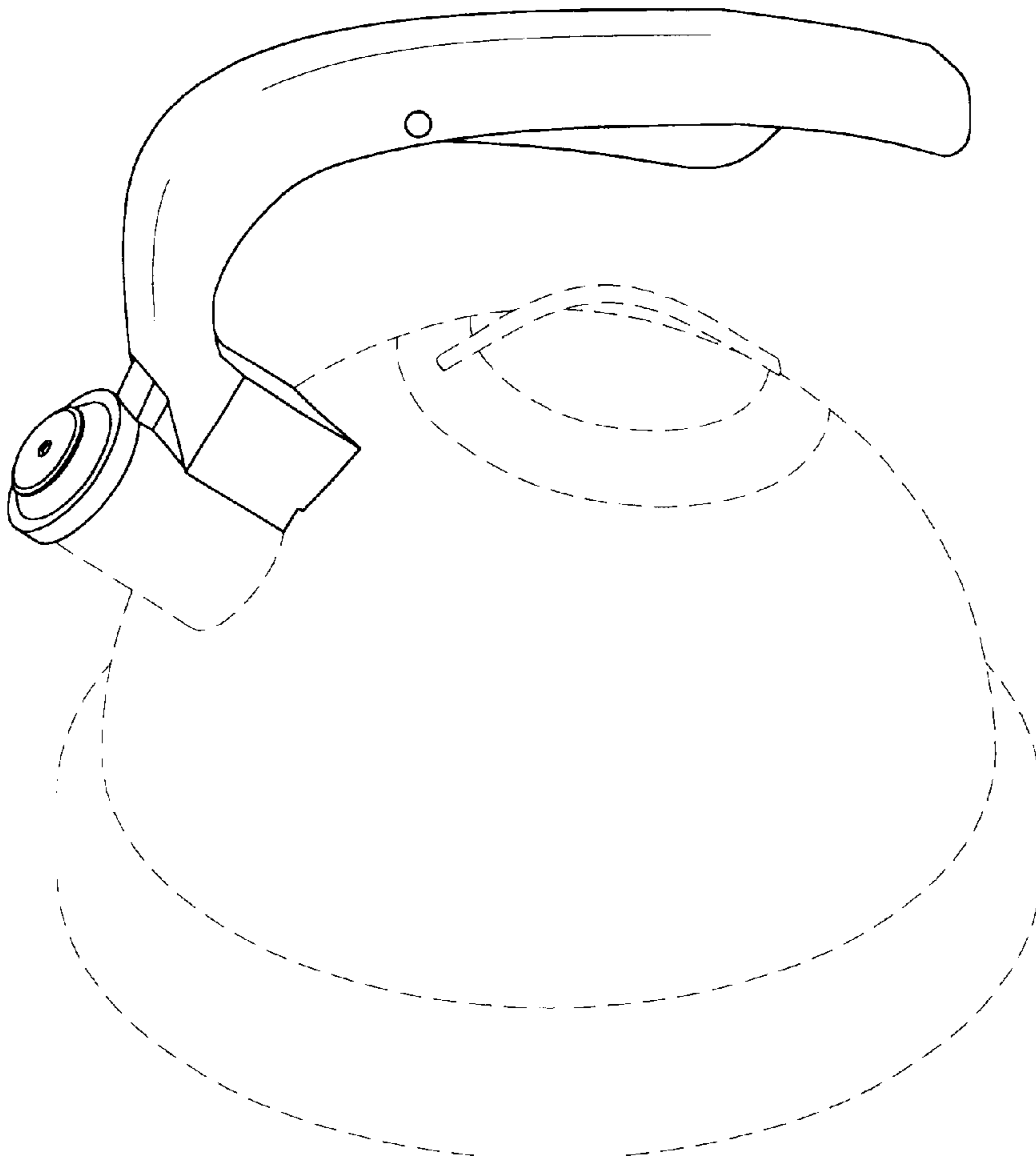
The broken lines of FIGS. 1-6 illustrate an exemplary kettle for illustrative purposes only and forms no part of the claimed design.

(56) **References Cited**

U.S. PATENT DOCUMENTS

D. 91,350 * 1/1934 Christman D7/320
D. 191,838 * 11/1961 Ebstein D7/393

1 Claim, 7 Drawing Sheets



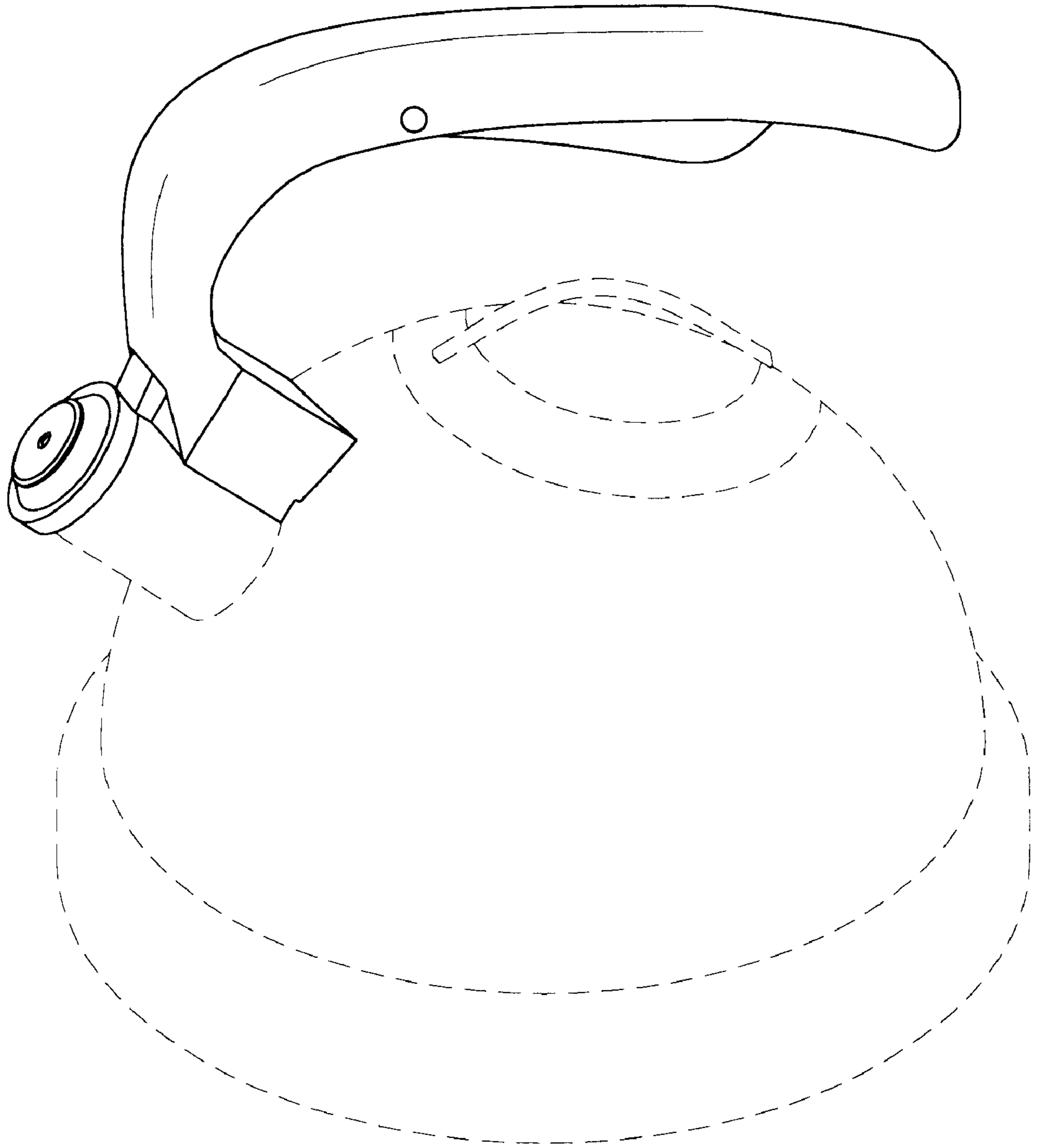


FIG. 1

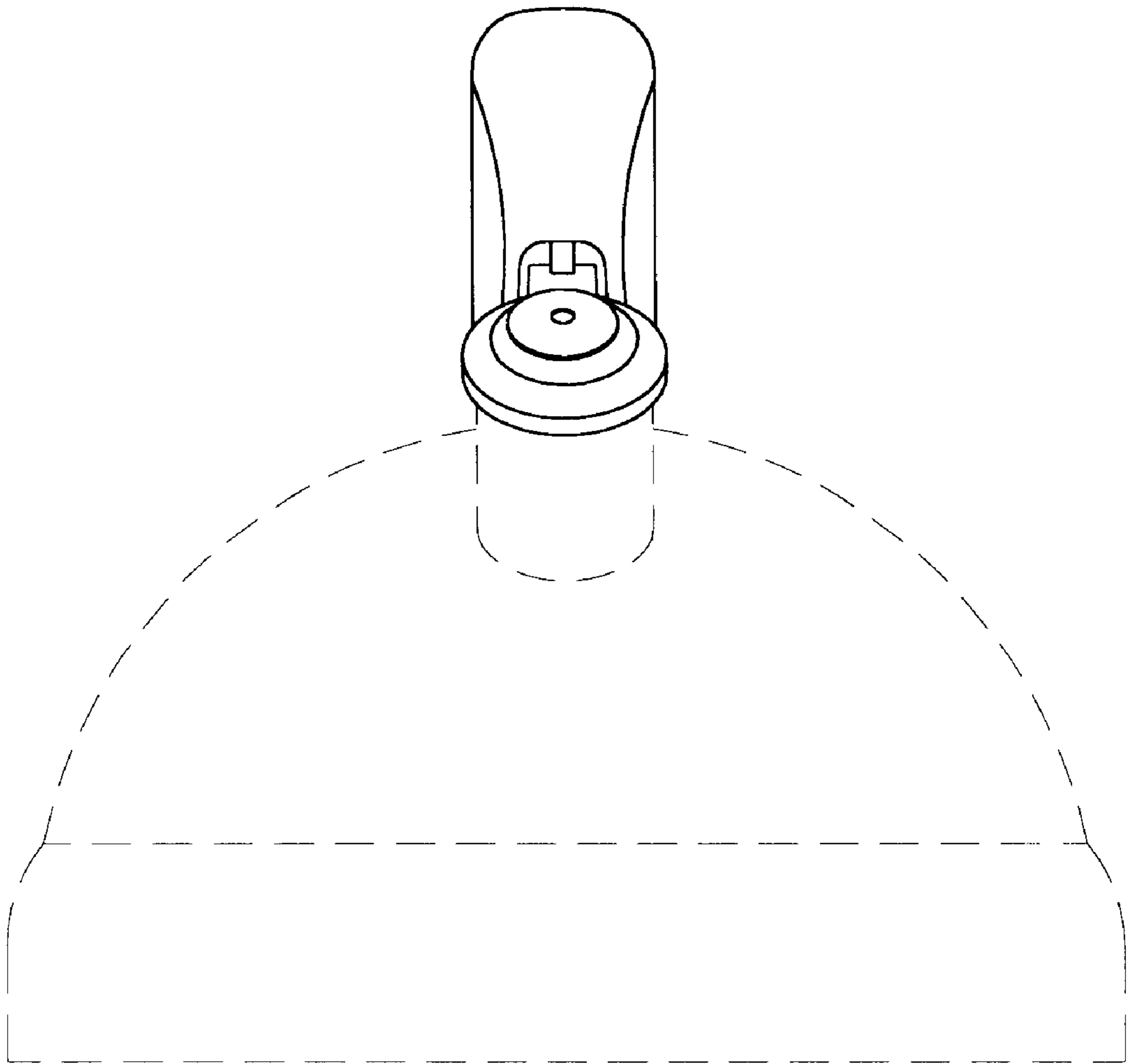


FIG. 2

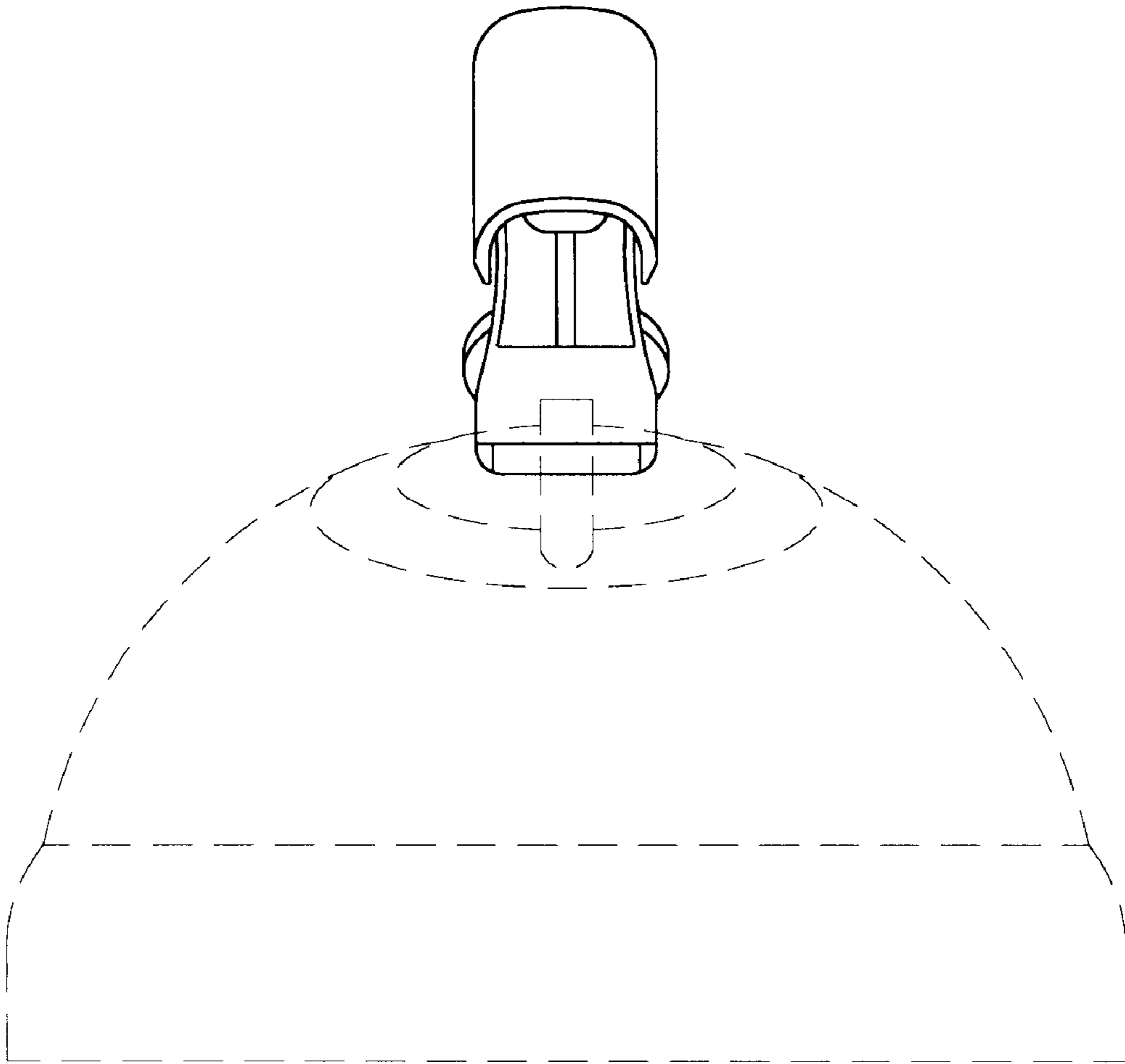


FIG. 3

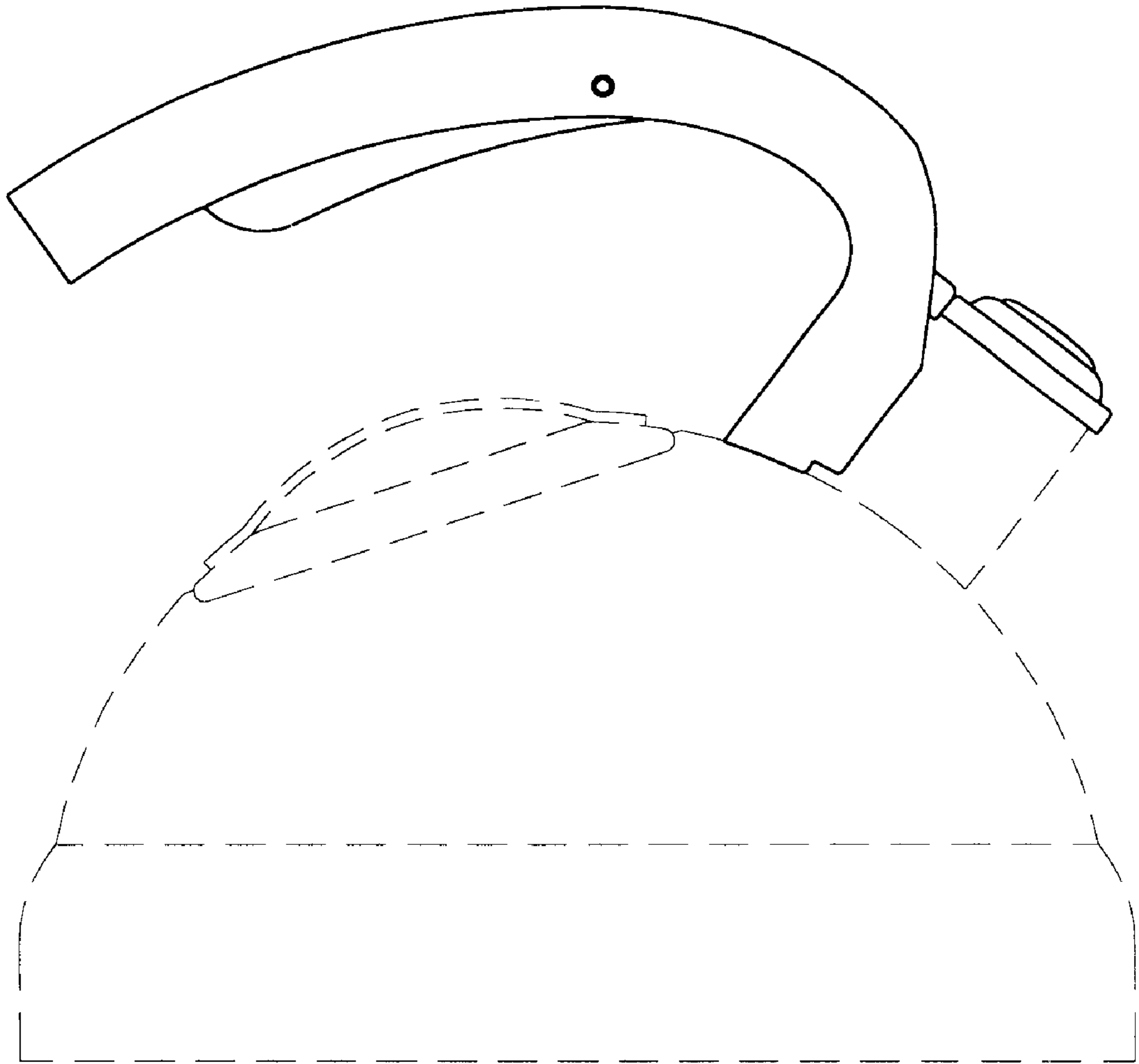


FIG. 4

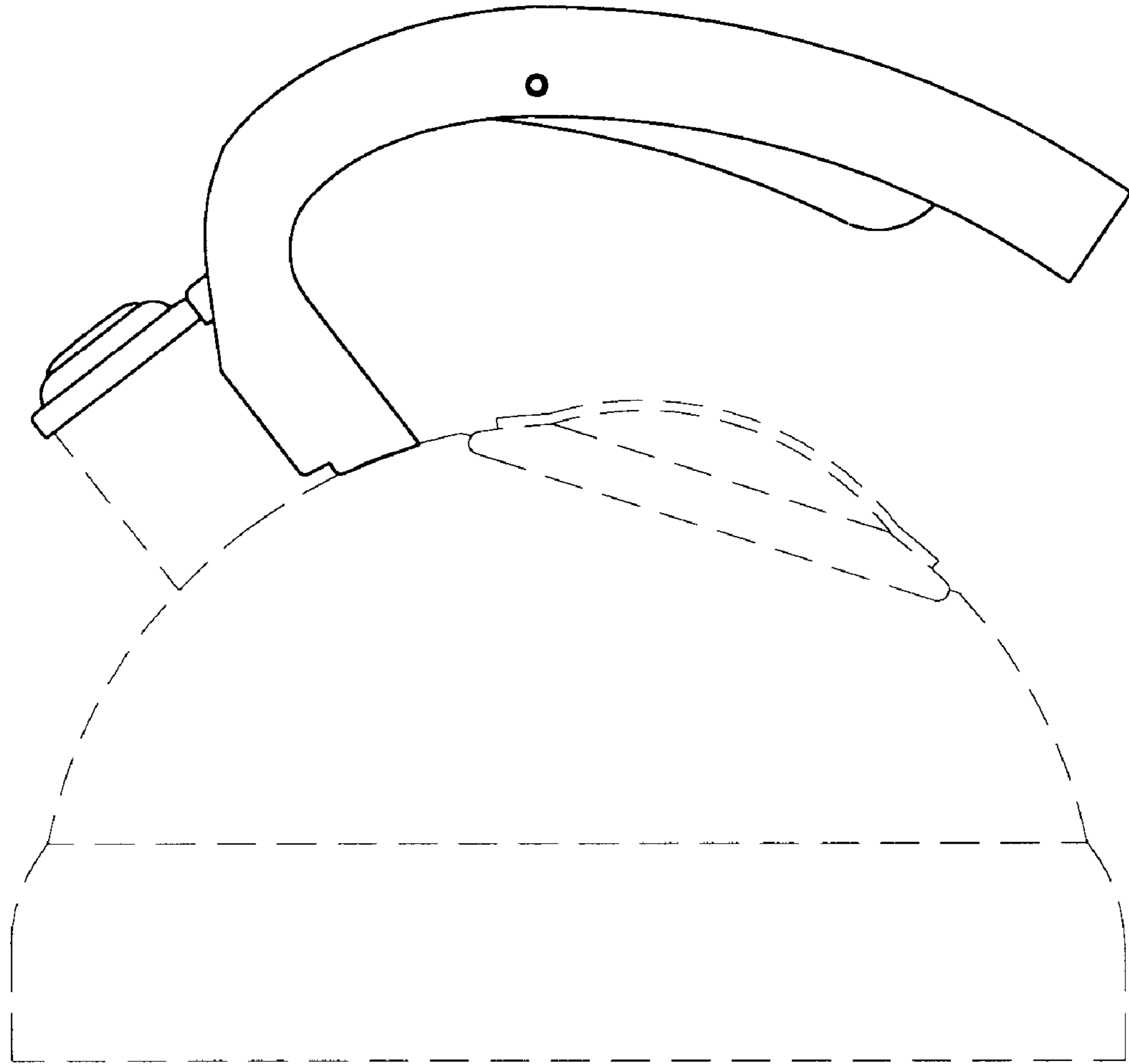


FIG. 5

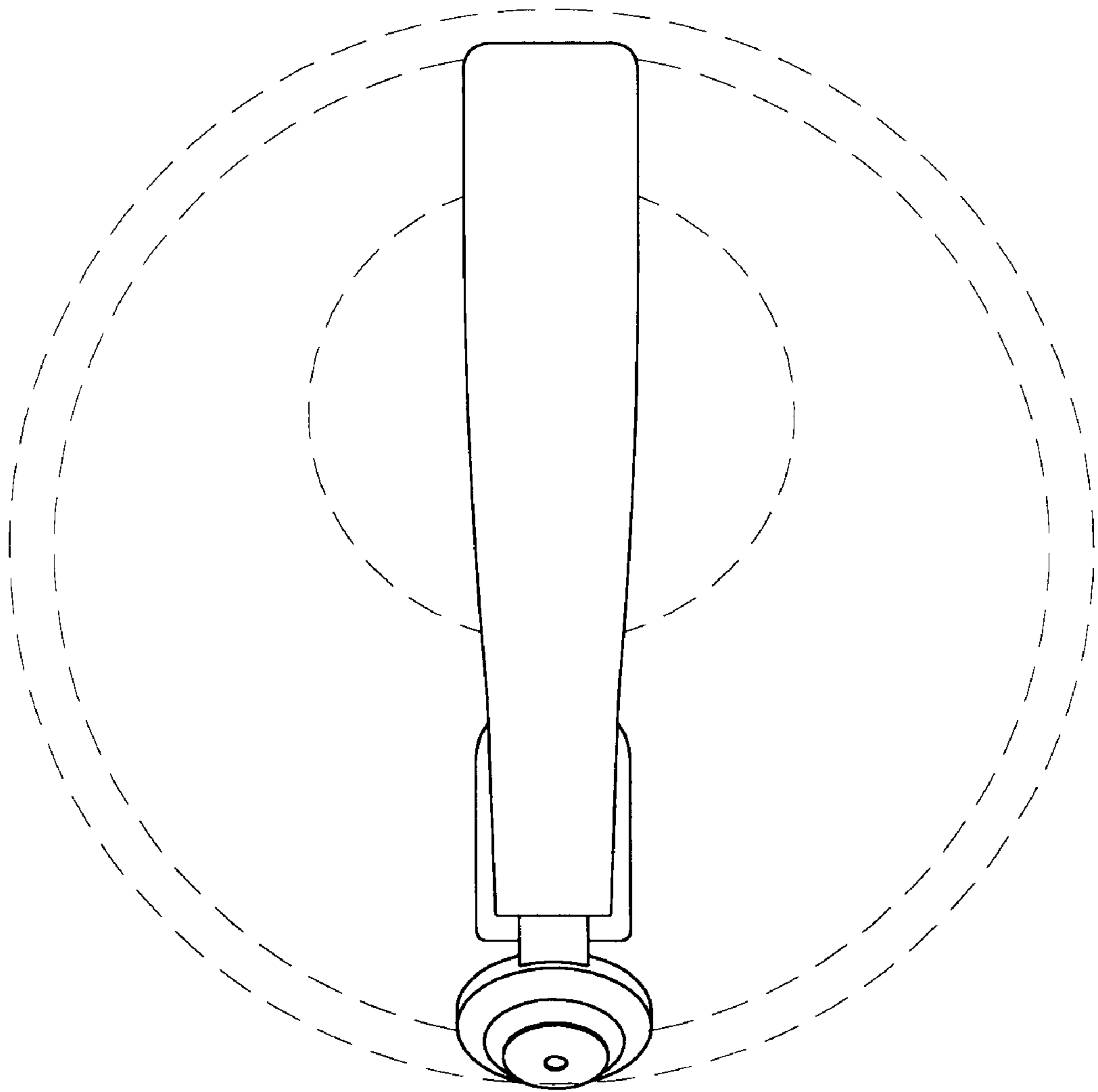


FIG. 6

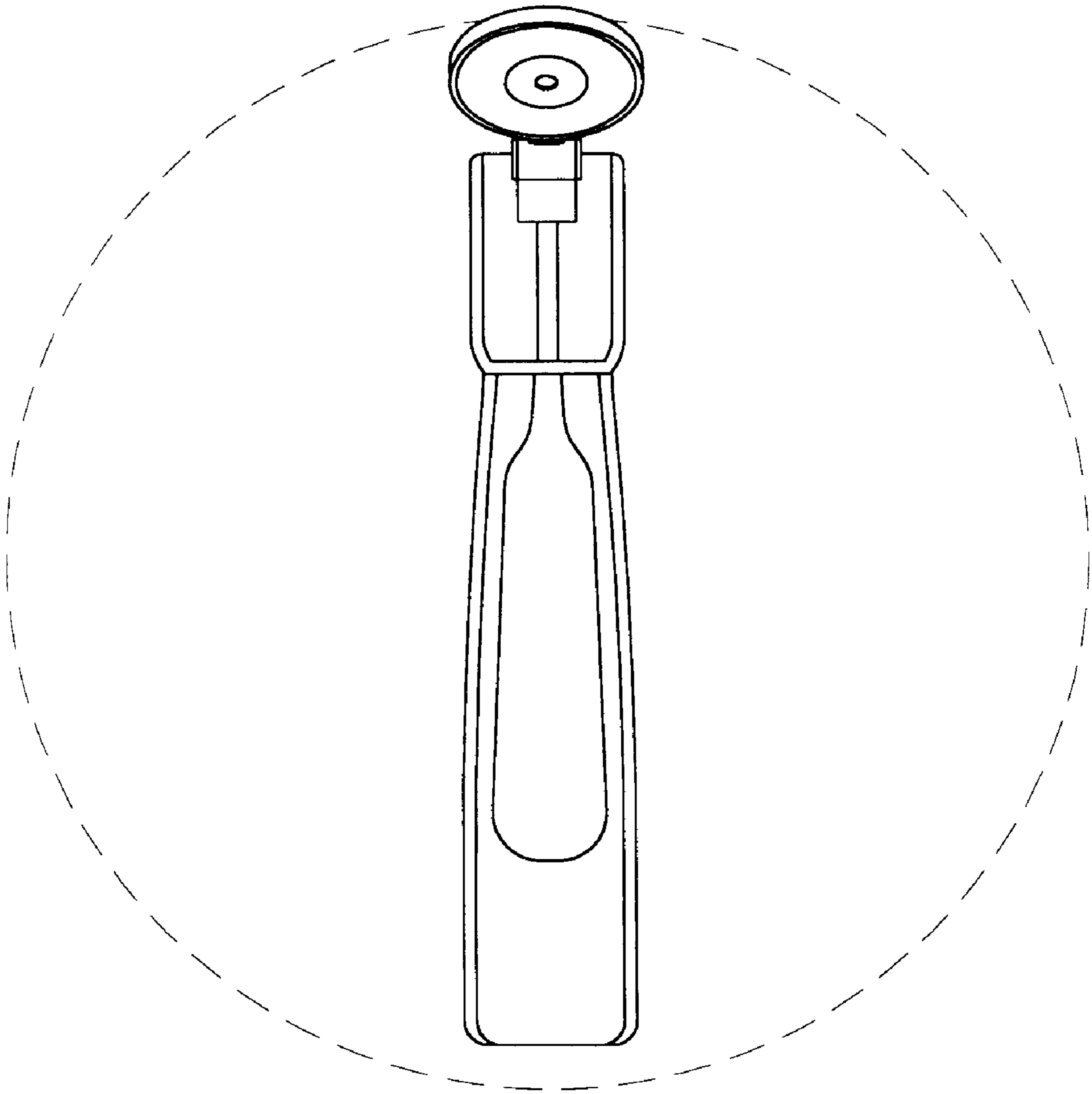


FIG. 7