



US00D451756B1

(12) **United States Design Patent**
Deros et al.

(10) **Patent No.:** **US D451,756 S**

(45) **Date of Patent:** **** Dec. 11, 2001**

(54) **BLENDER**

(75) Inventors: **Yani Deros**, Andover, MA (US); **Mark Baerenrodt**, Milford, NH (US); **Chris Chang**, Medford, MA (US); **Steve Bourque**, Peterborough, NH (US); **Martin Brady**, Chesterfield; **Steve Gray**, Glen Allen, both of VA (US)

(73) Assignee: **Hamilton Beach/Proctor-Silex, Inc.**, Glen Allen, VA (US)

(**) Term: **14 Years**

(21) Appl. No.: **29/142,848**

(22) Filed: **Jun. 4, 2001**

Related U.S. Application Data

(62) Division of application No. 29/126,328, filed on Jul. 13, 2000.

(51) **LOC (7) Cl.** **31-00**

(52) **U.S. Cl.** **D7/378**

(58) **Field of Search** D7/376-386, 412, D7/413; 241/33, 101.01, 285.1, 285.2, 301; 366/65, 197, 199, 241, 349

(56) **References Cited**

U.S. PATENT DOCUMENTS

- D. 209,652 12/1967 Weiss .
- D. 215,782 10/1969 Steinkamp .

(List continued on next page.)

Primary Examiner—Caron D. Veynar

(74) *Attorney, Agent, or Firm*—Akin, Gump, Strauss, Hauer & Feld, L.L.P.

(57) **CLAIM**

The ornamental design for a blender, as shown and described.

DESCRIPTION

FIG. 1 is a perspective view of a preferred embodiment of the blender.

FIG. 2 is a front end view of the blender shown in FIG. 1.

FIG. 3 is a rear end view of the blender shown in FIG. 1.

FIG. 4 is a top plan view of the blender shown in FIG. 1.

FIG. 5 is a left side view of the blender shown in FIG. 1.

FIG. 6 is a right side view of the blender shown in FIG. 1.

FIG. 7 is a perspective view of another preferred embodiment of the blender.

FIG. 8 is a front end view of the blender shown in FIG. 7.

FIG. 9 is a rear end view of the blender shown in FIG. 7.

FIG. 10 is a top plan view of the blender shown in FIG. 7.

FIG. 11 is a left side view of the blender shown in FIG. 7.

FIG. 12 is a right side view of the blender shown in FIG. 7.

FIG. 13 is a perspective view of another preferred embodiment of the blender.

FIG. 14 is a front end view of the blender shown in FIG. 13.

FIG. 15 is a rear end view of the blender shown in FIG. 13.

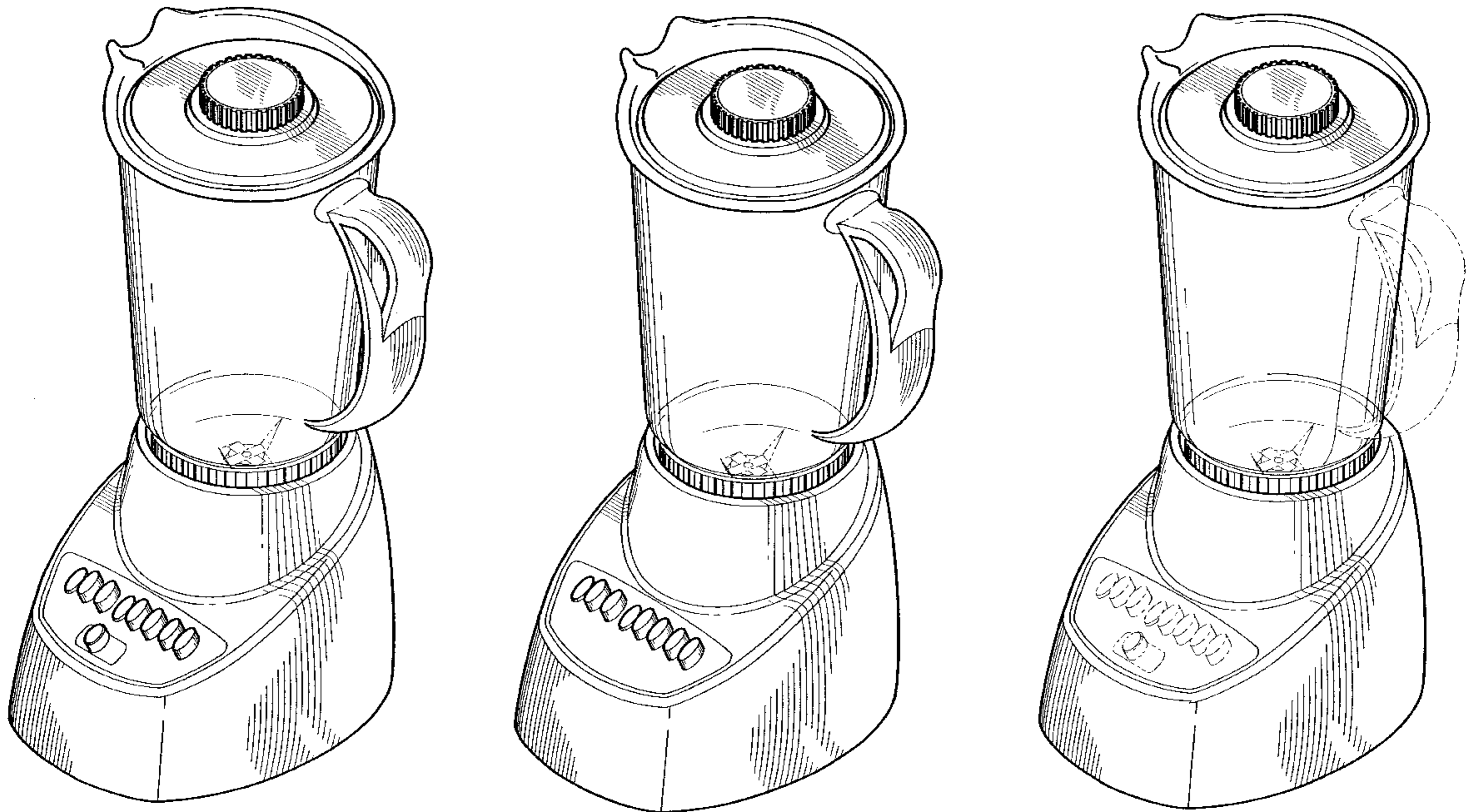
FIG. 16 is a top plan view of the blender shown in FIG. 13.

FIG. 17 is a left side view of the blender shown in FIG. 13; and,

FIG. 18 is a right side view of the blender shown in FIG. 13.

The broken lines shown in FIGS. 13-18 are for illustrative purposes only and form no part of the claimed design.

1 Claim, 18 Drawing Sheets



US D451,756 S

Page 2

U.S. PATENT DOCUMENTS

D. 220,235	*	3/1971	Greubel	D7/378	D. 394,986	6/1998	Lallemand .	
D. 220,236		3/1971	Greubel .		D. 396,167	7/1998	Cruz .	
D. 309,548		7/1990	McCloskey .		D. 396,990	8/1998	Leverrier .	
D. 339,715		9/1993	Barrault .		D. 400,757	11/1998	Hippen et al. .	
D. 347,966		6/1994	Doggett .		D. 403,202	12/1998	Cousins .	
D. 349,423		8/1994	Burgel .		D. 404,247	1/1999	Spagnolo .	
D. 367,800		3/1996	Littmann .		D. 404,606	1/1999	Huang .	
D. 369,512		5/1996	Brady .		D. 404,607	1/1999	Huang .	
D. 370,151		5/1996	McLinden et al. .		D. 409,446	5/1999	St. John et al. .	
D. 383,644		9/1997	Feil .		D. 412,809	8/1999	Toro et al. .	
D. 386,355		11/1997	Davidson et al. .		D. 417,581	12/1999	Barthelemy et al. .	
D. 387,948		12/1997	Leverrier .		D. 433,598	* 11/2000	Naft et al.	D7/413
D. 390,416		2/1998	Hippen et al. .		D. 434,596	* 12/2000	Naft et al.	D7/378

* cited by examiner

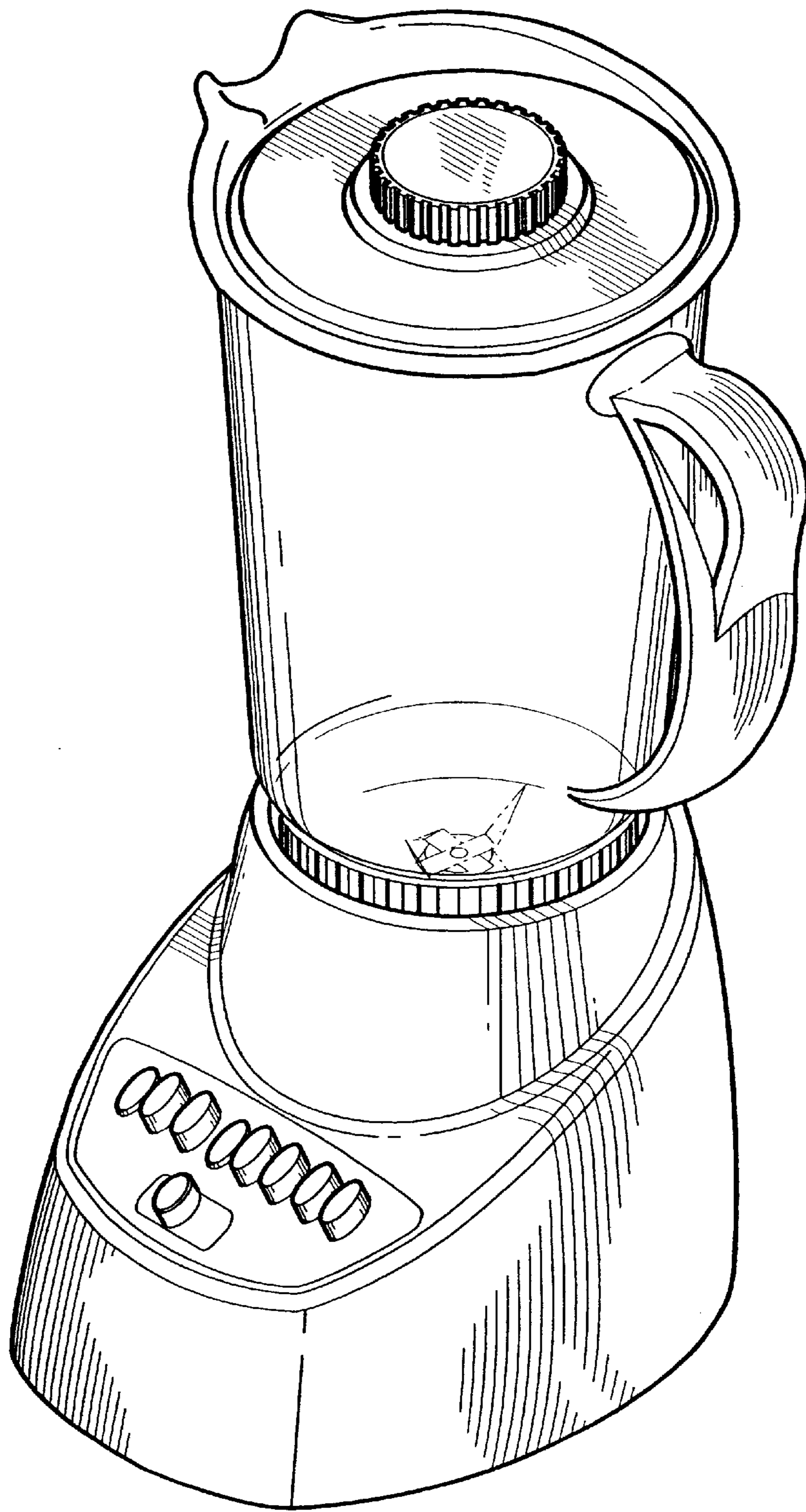


Fig. 1

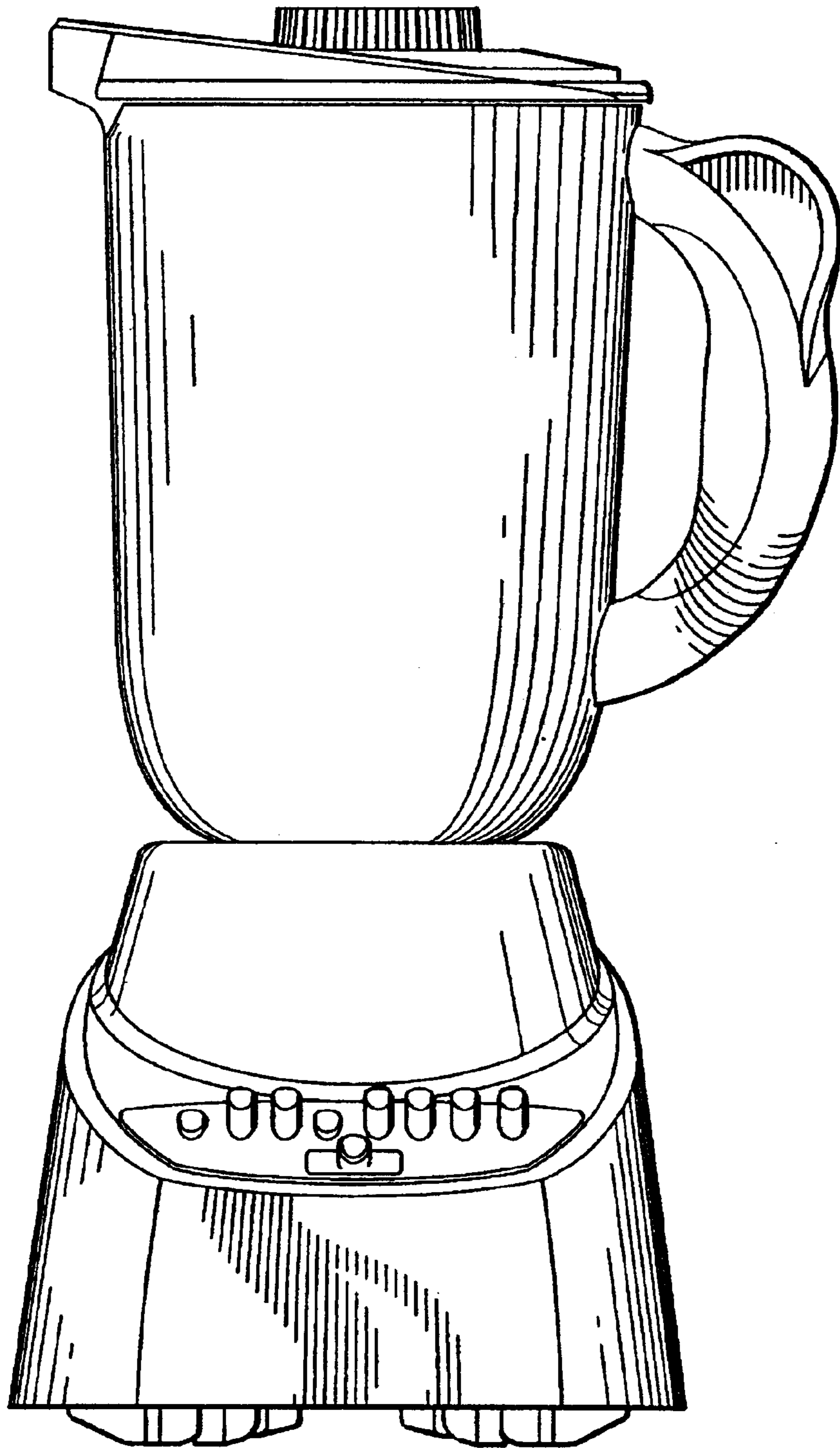


Fig. 2

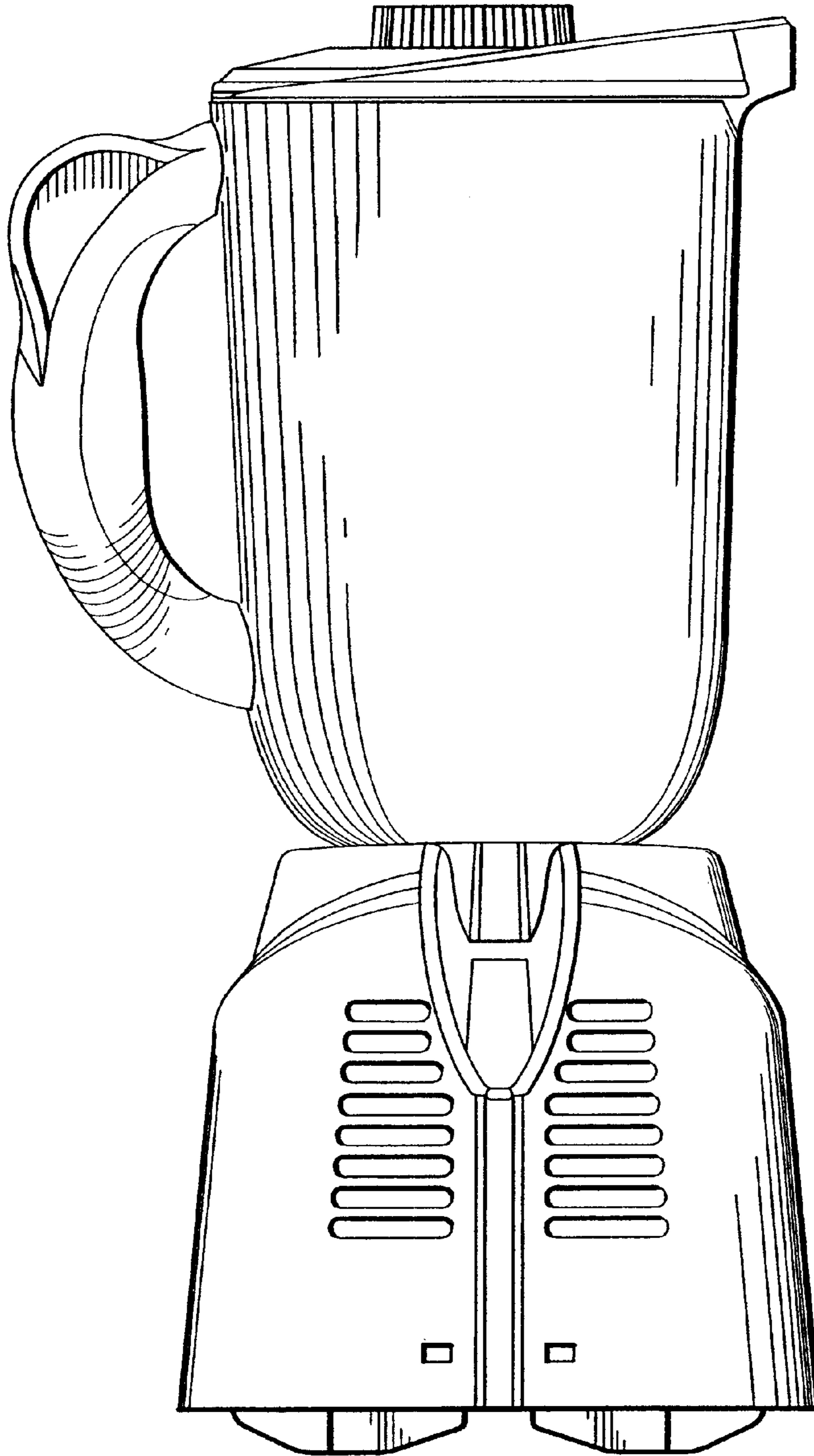


Fig. 3

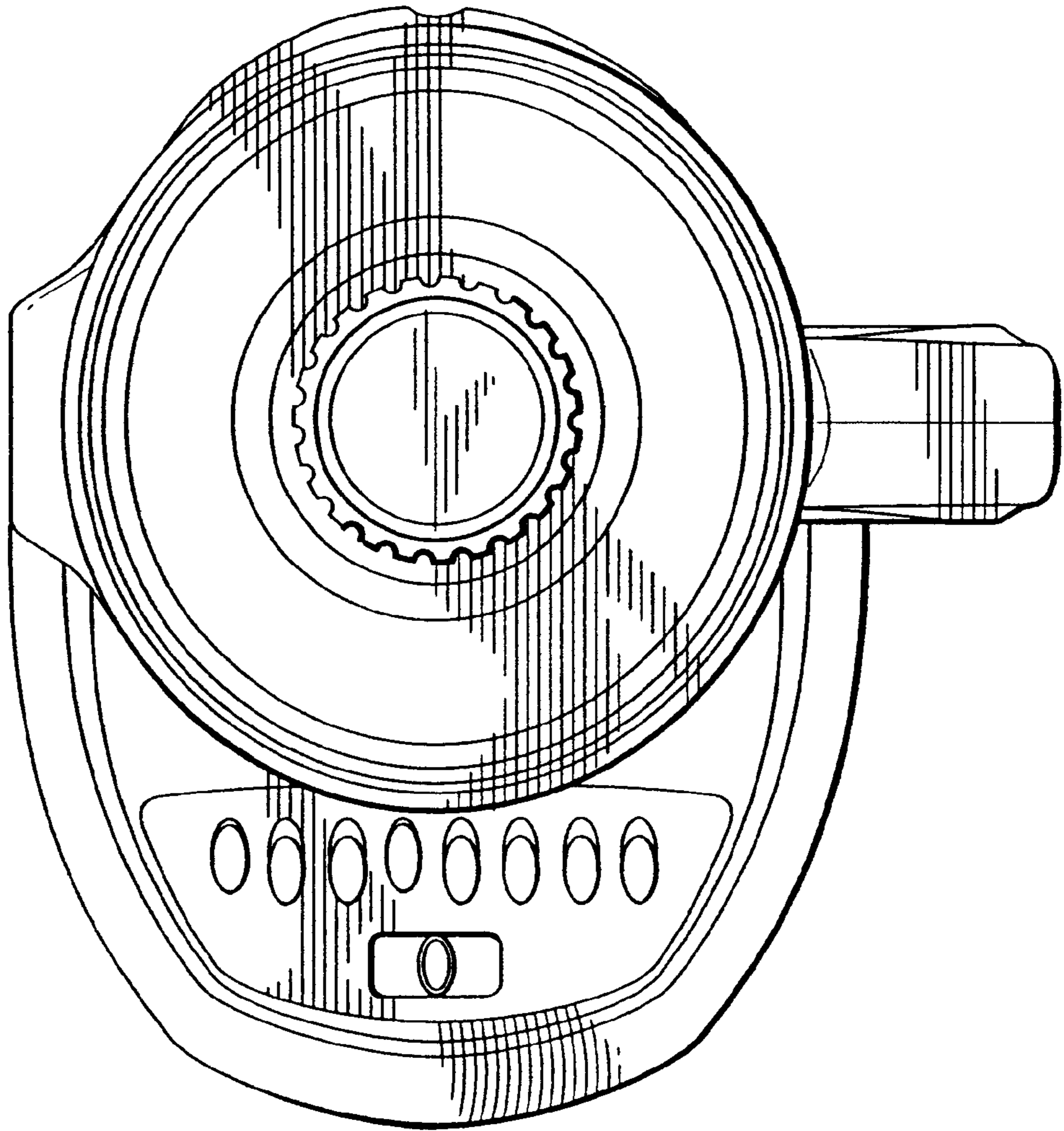


Fig. 4

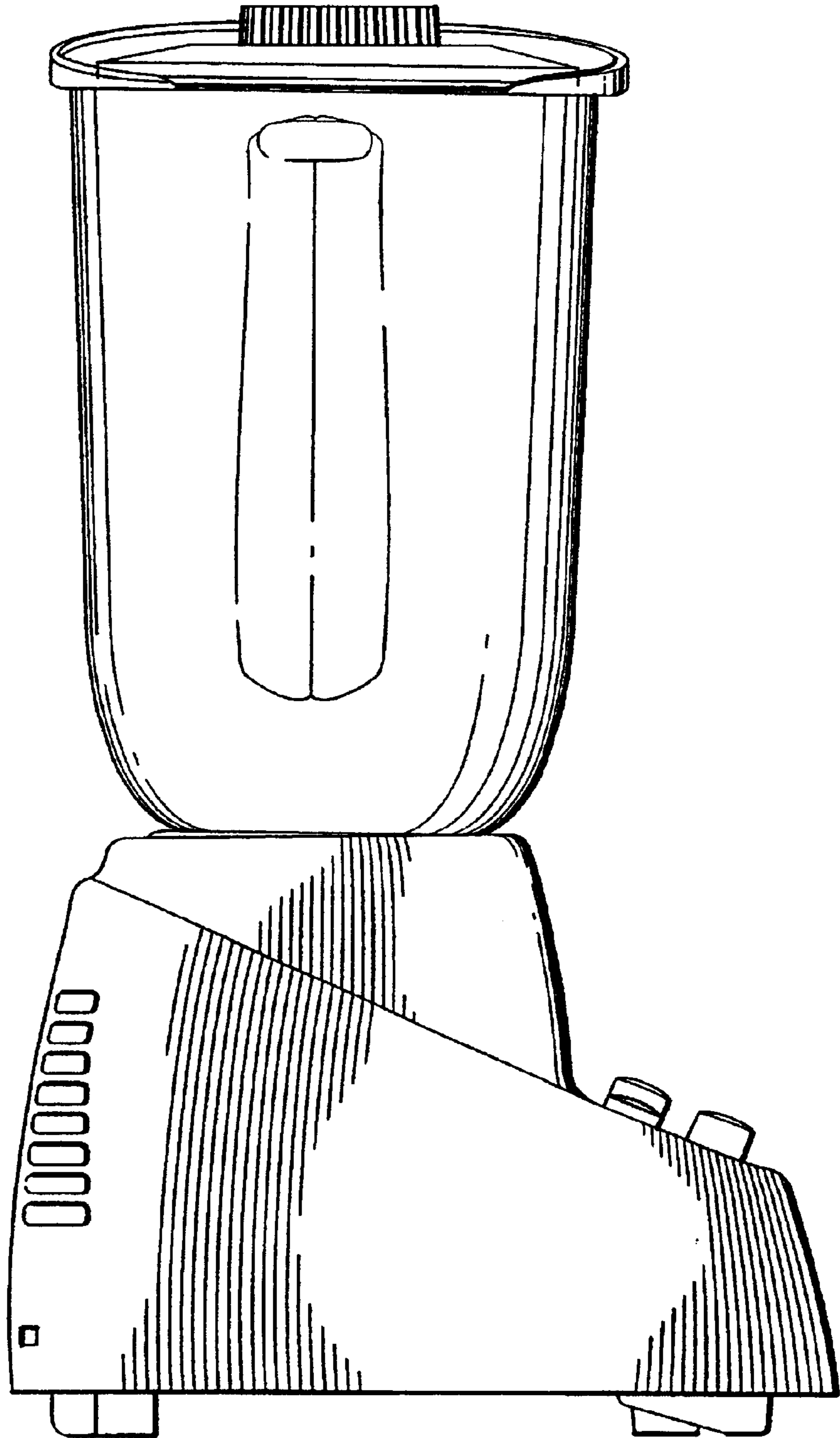


Fig. 5

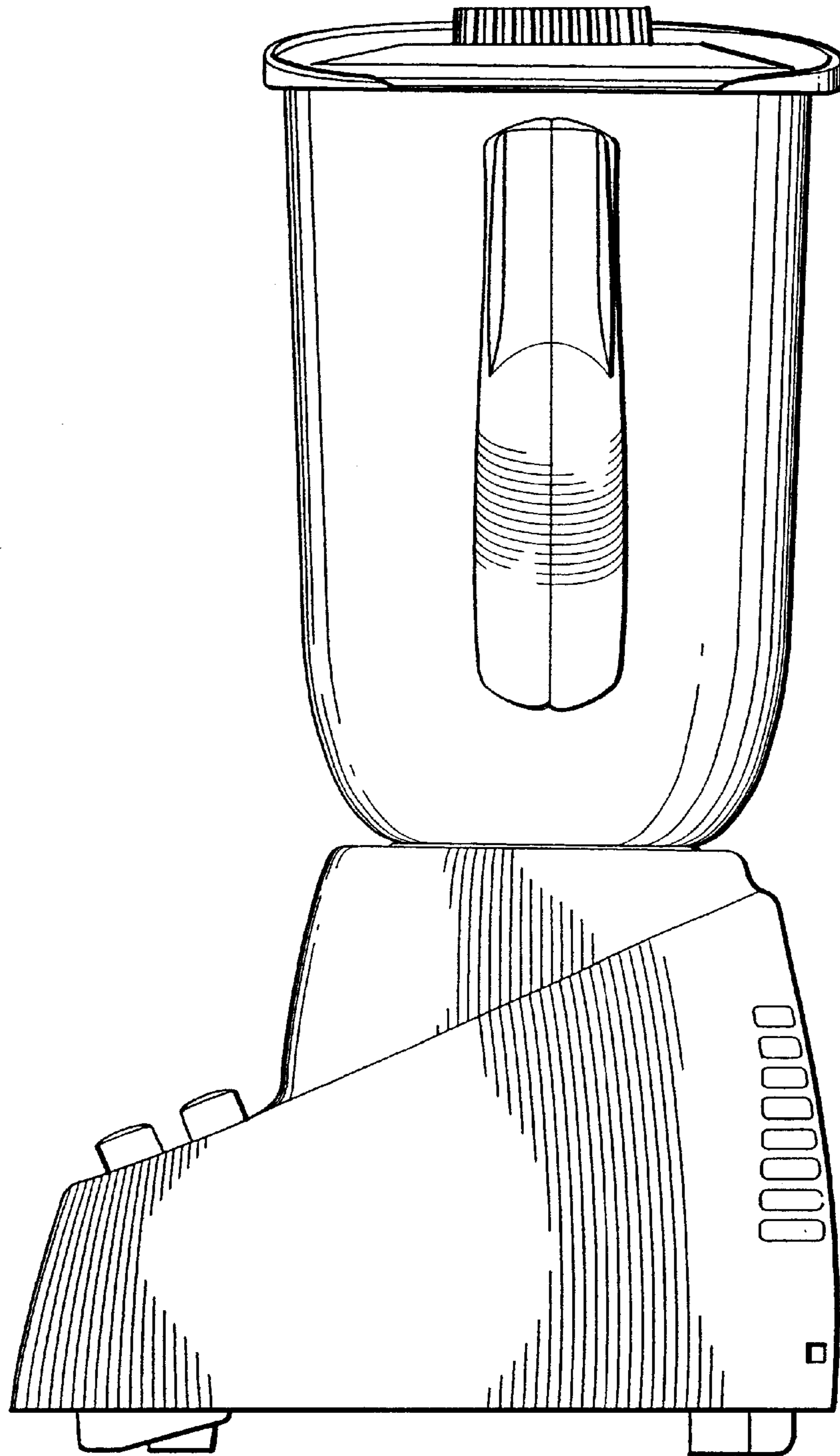


Fig. 6

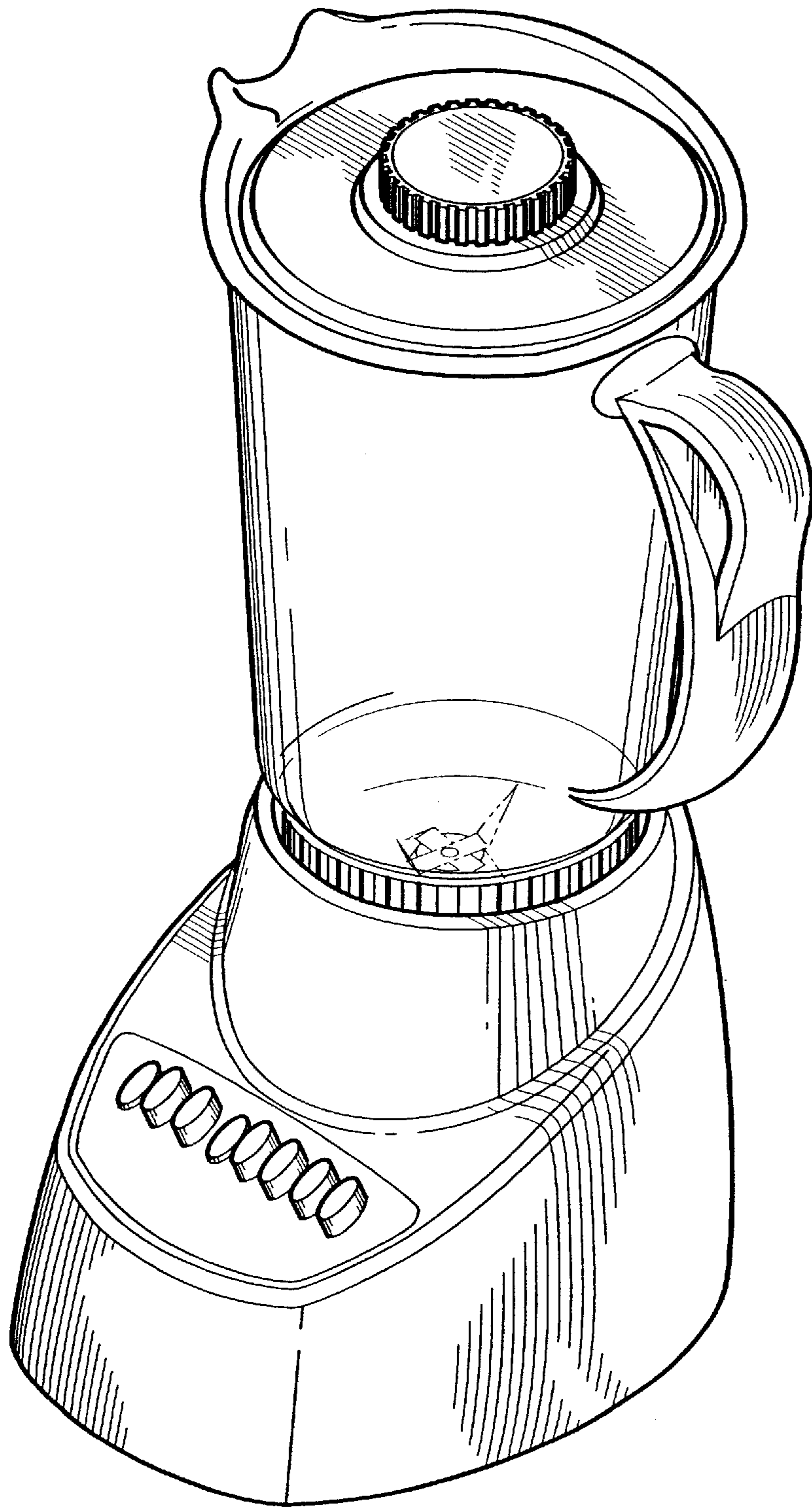


Fig. 7

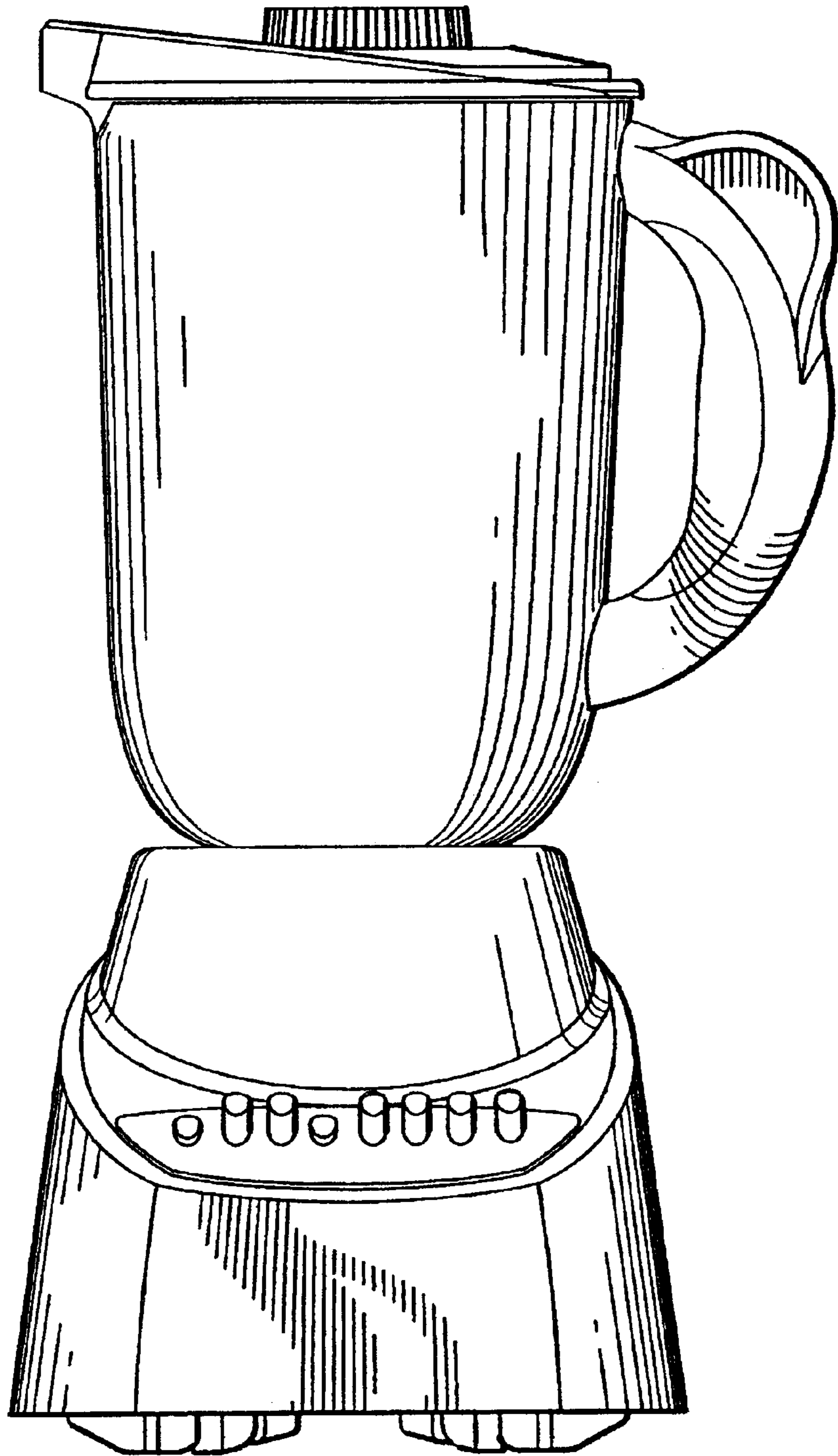


Fig. 8

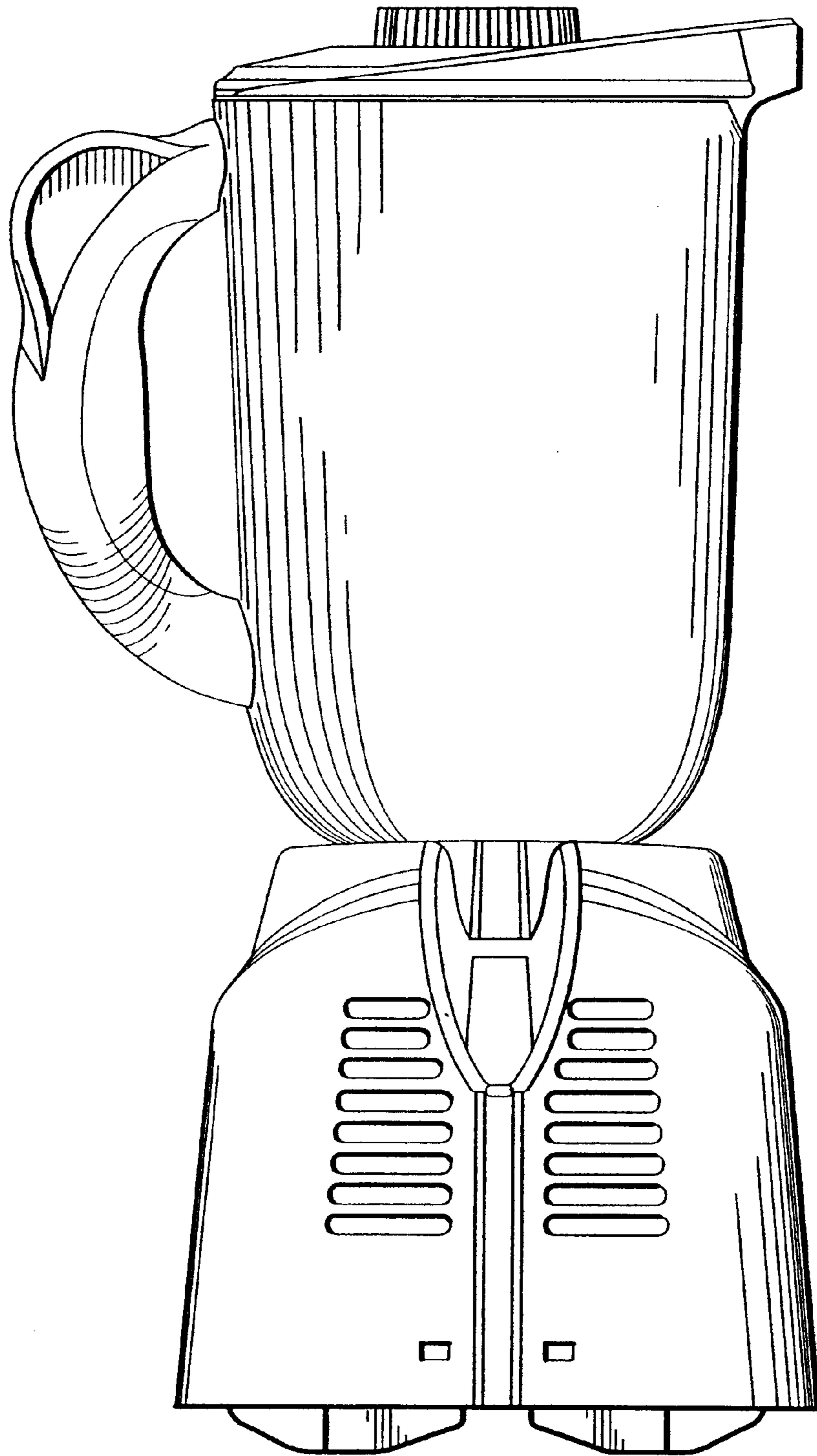


Fig. 9

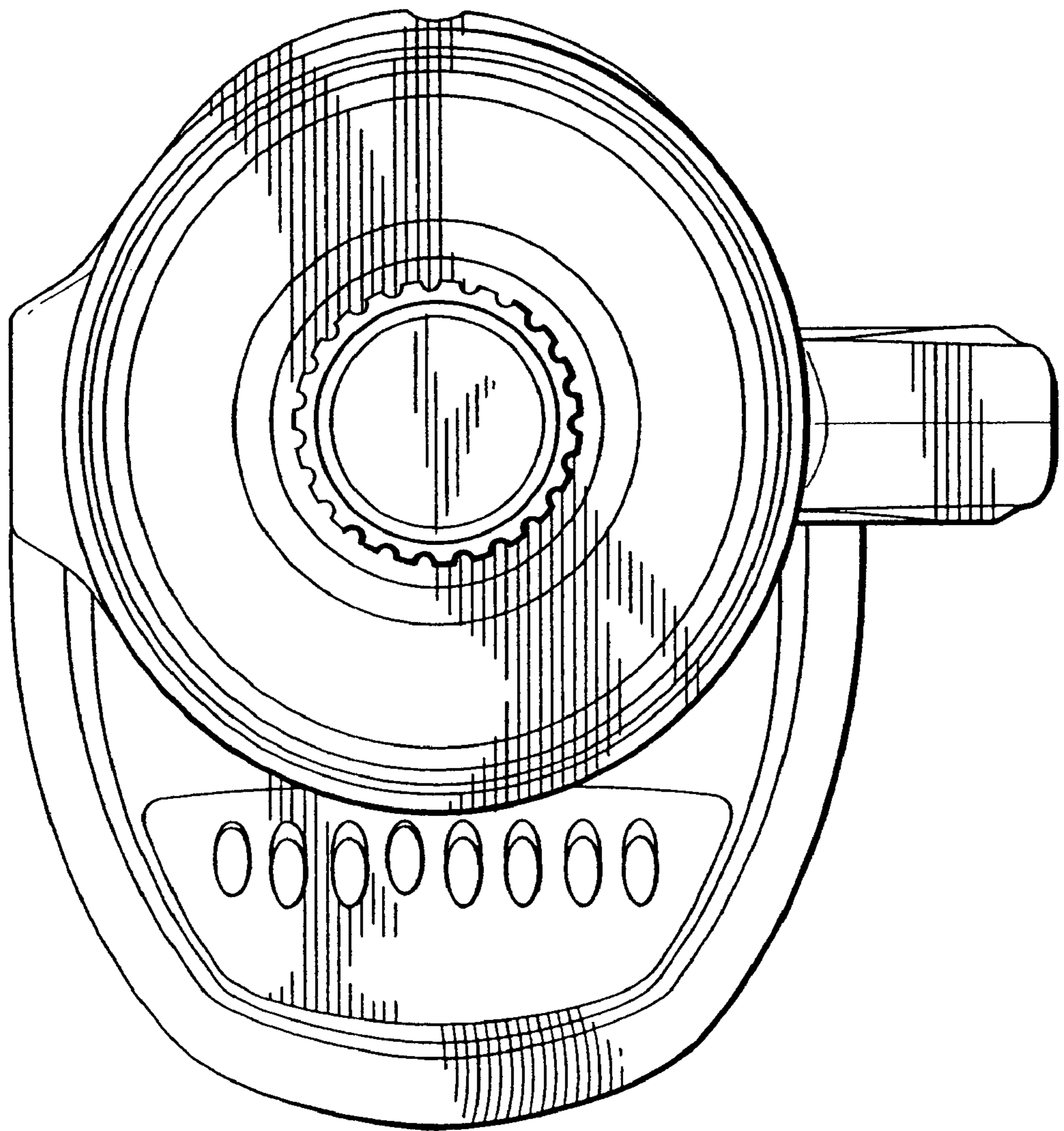


Fig. 10

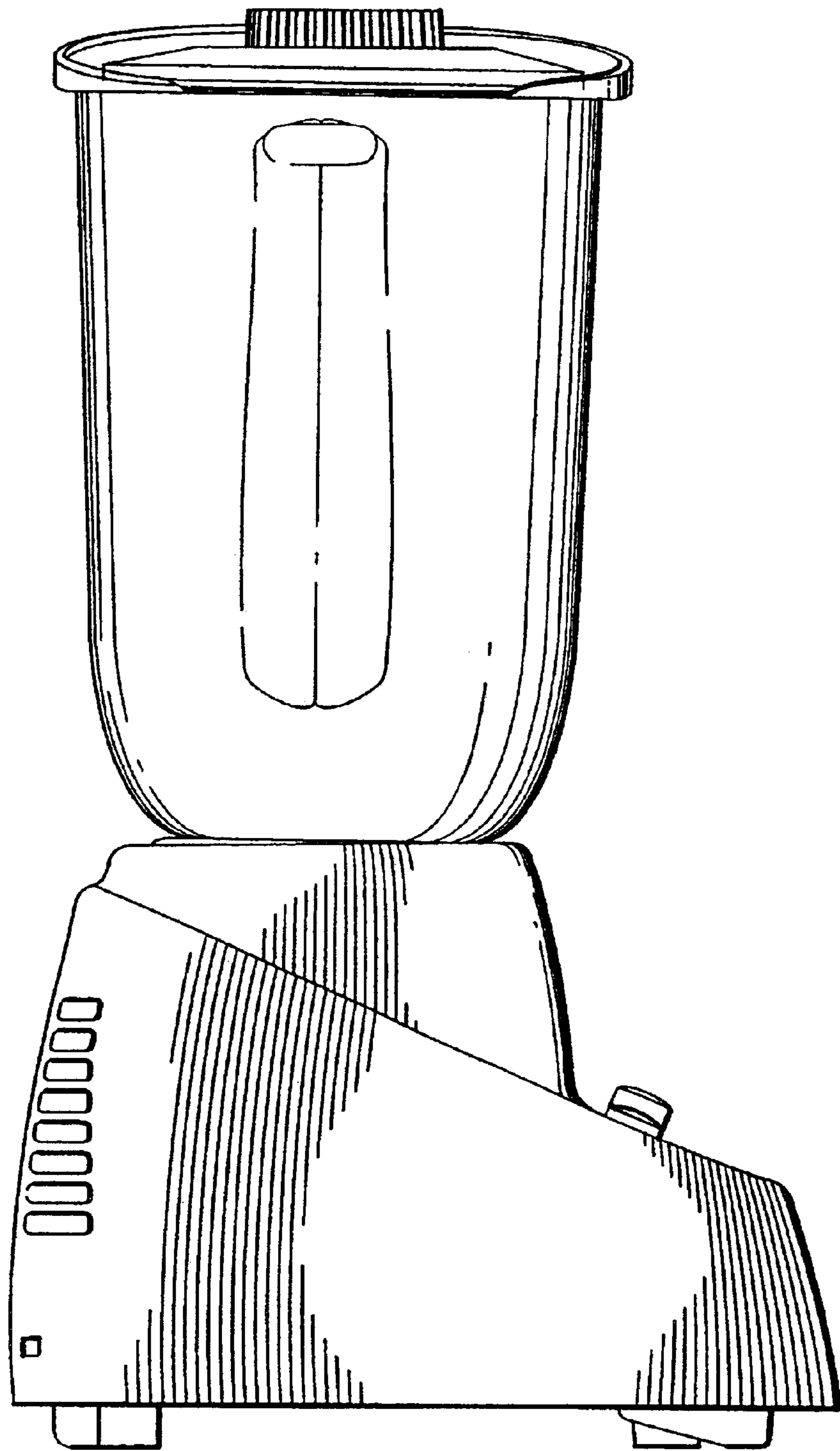


Fig. 11

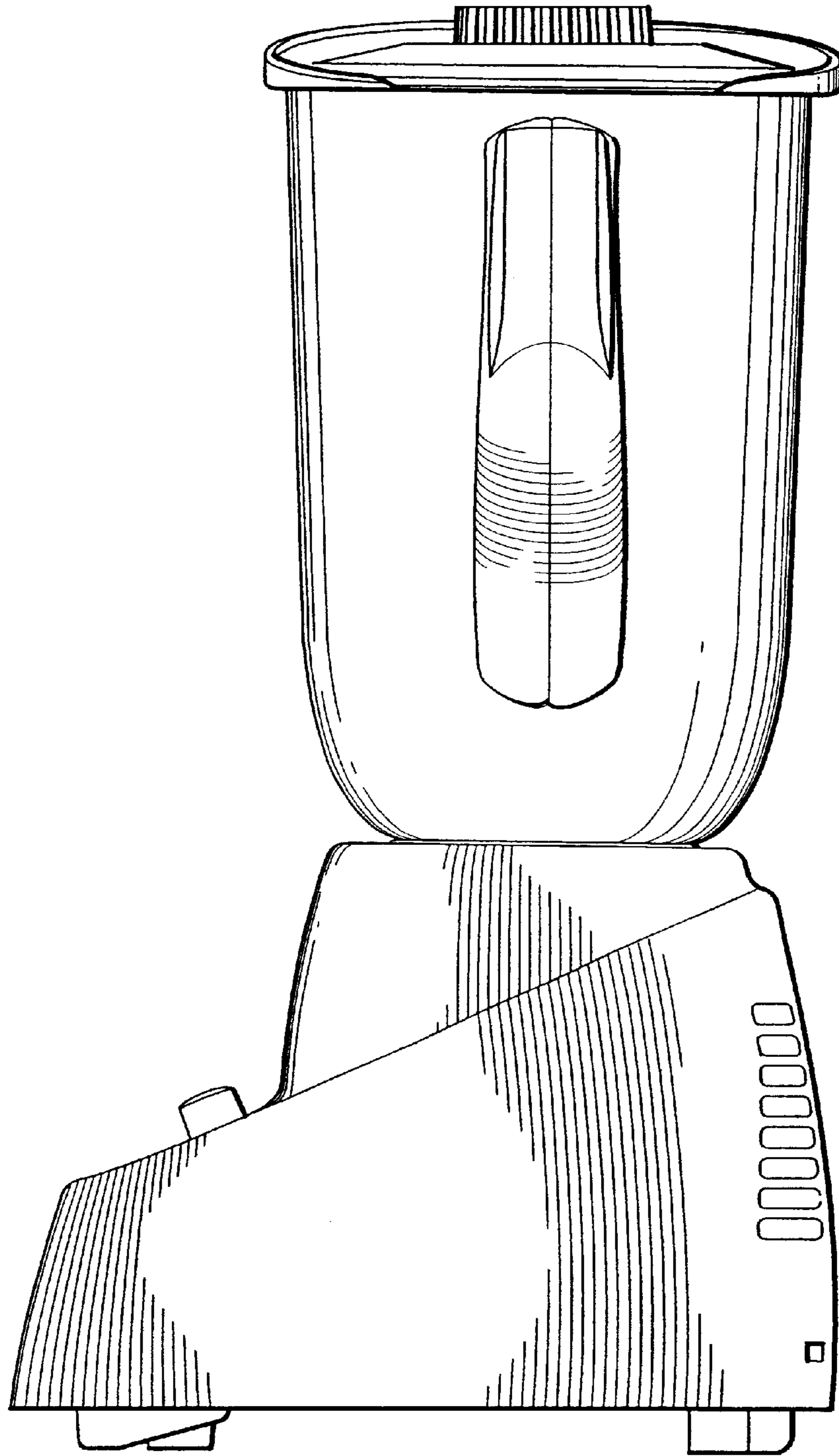


Fig. 12

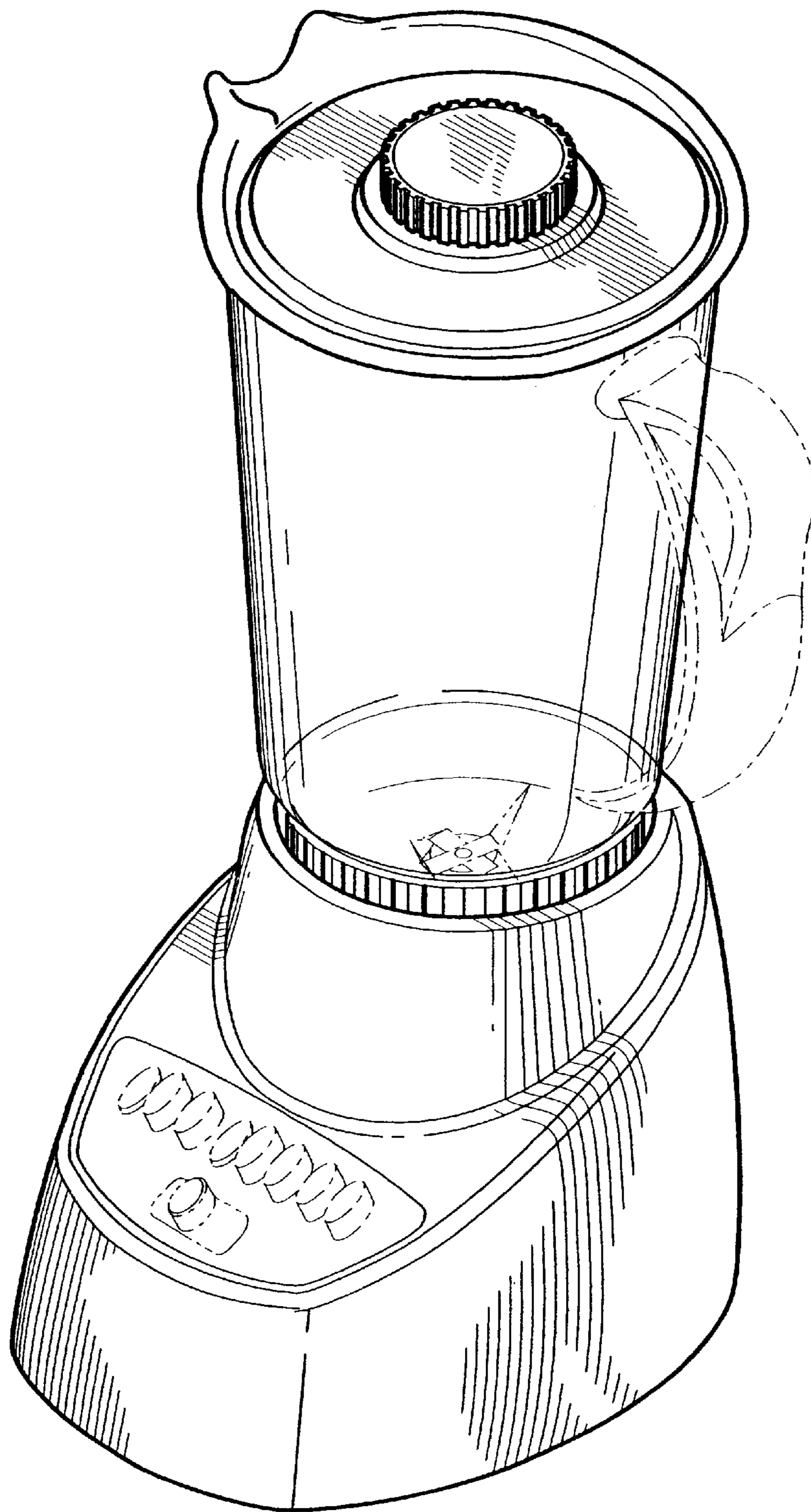


Fig. 13

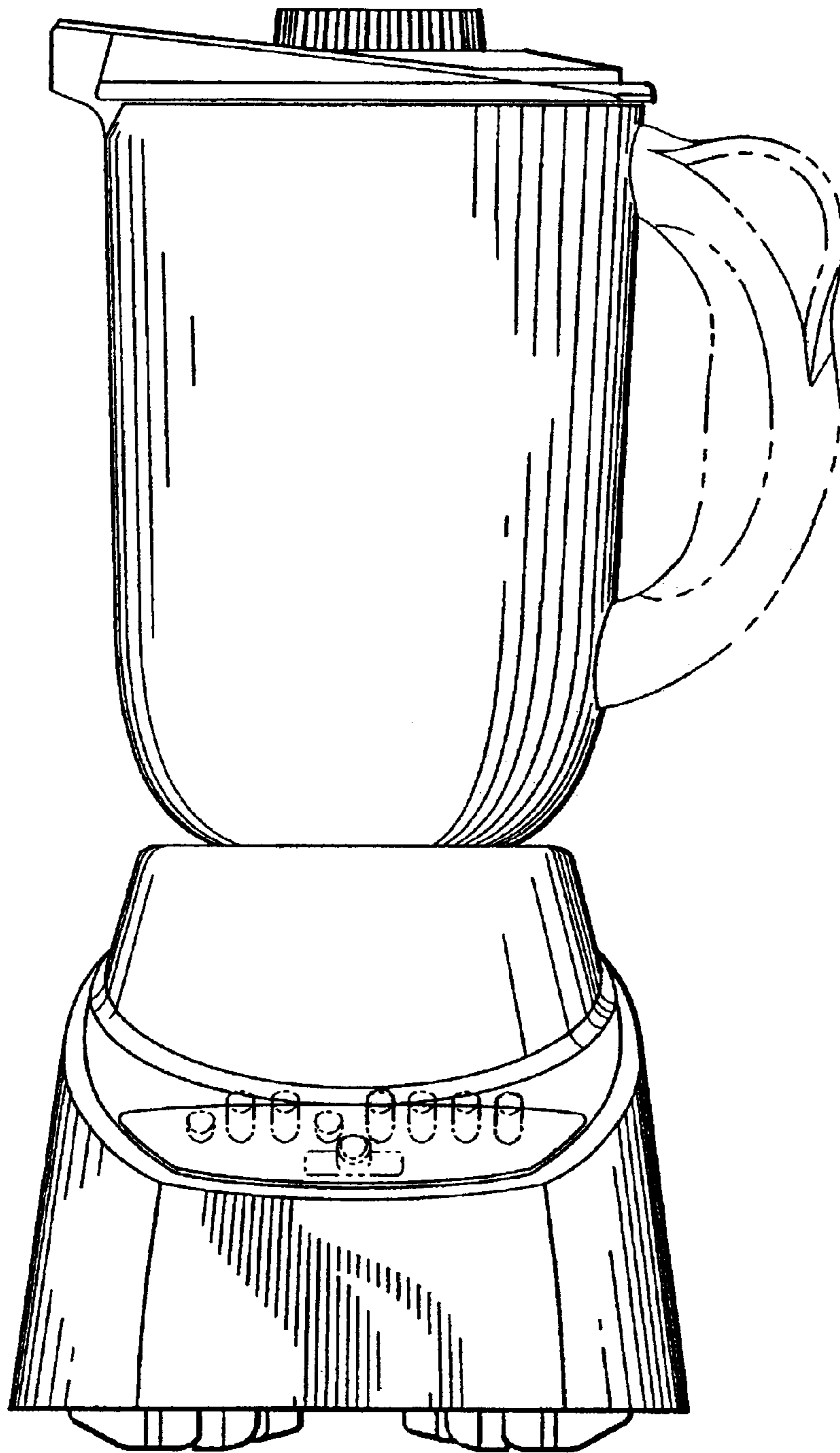


Fig. 14

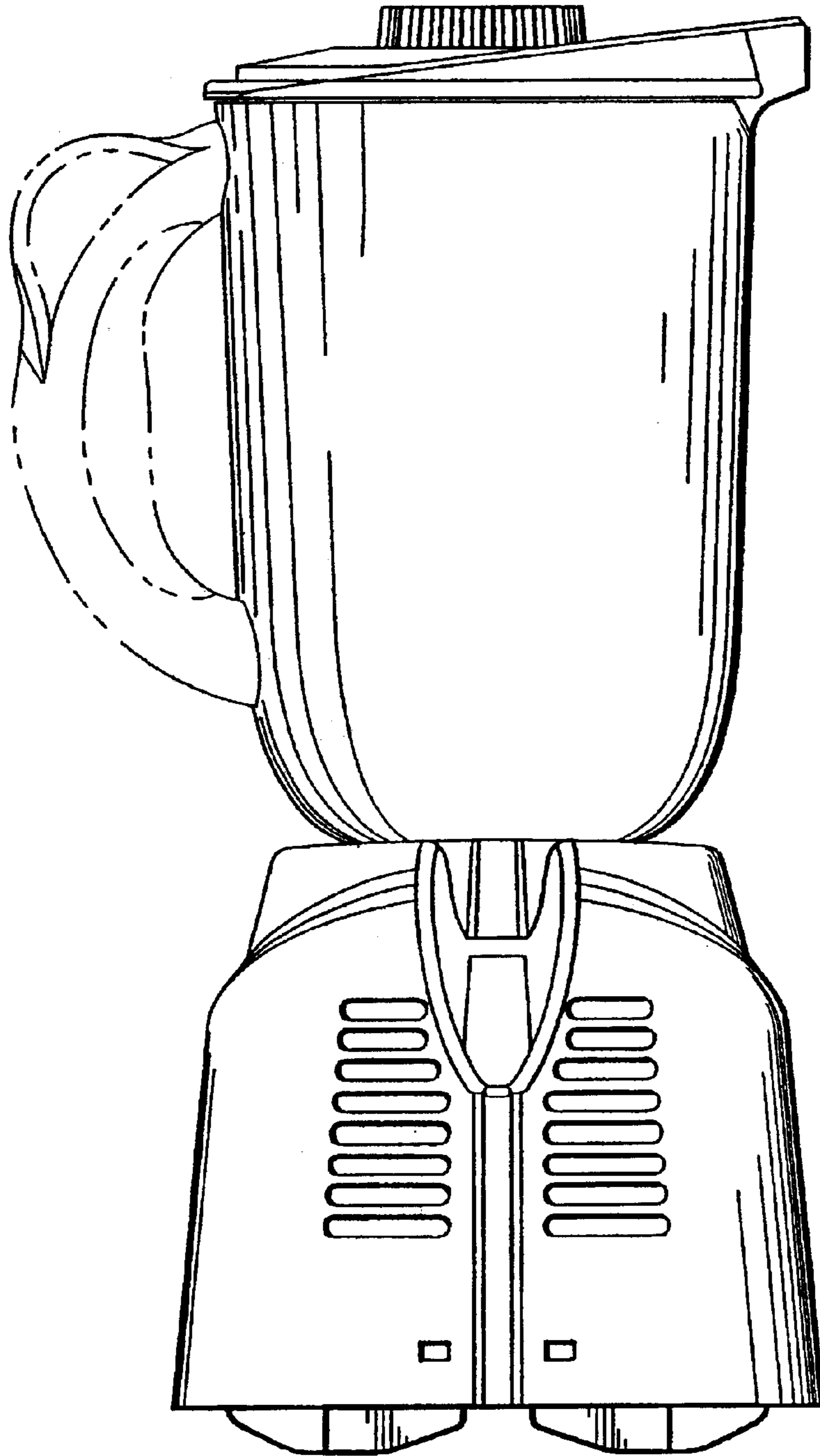


Fig. 15

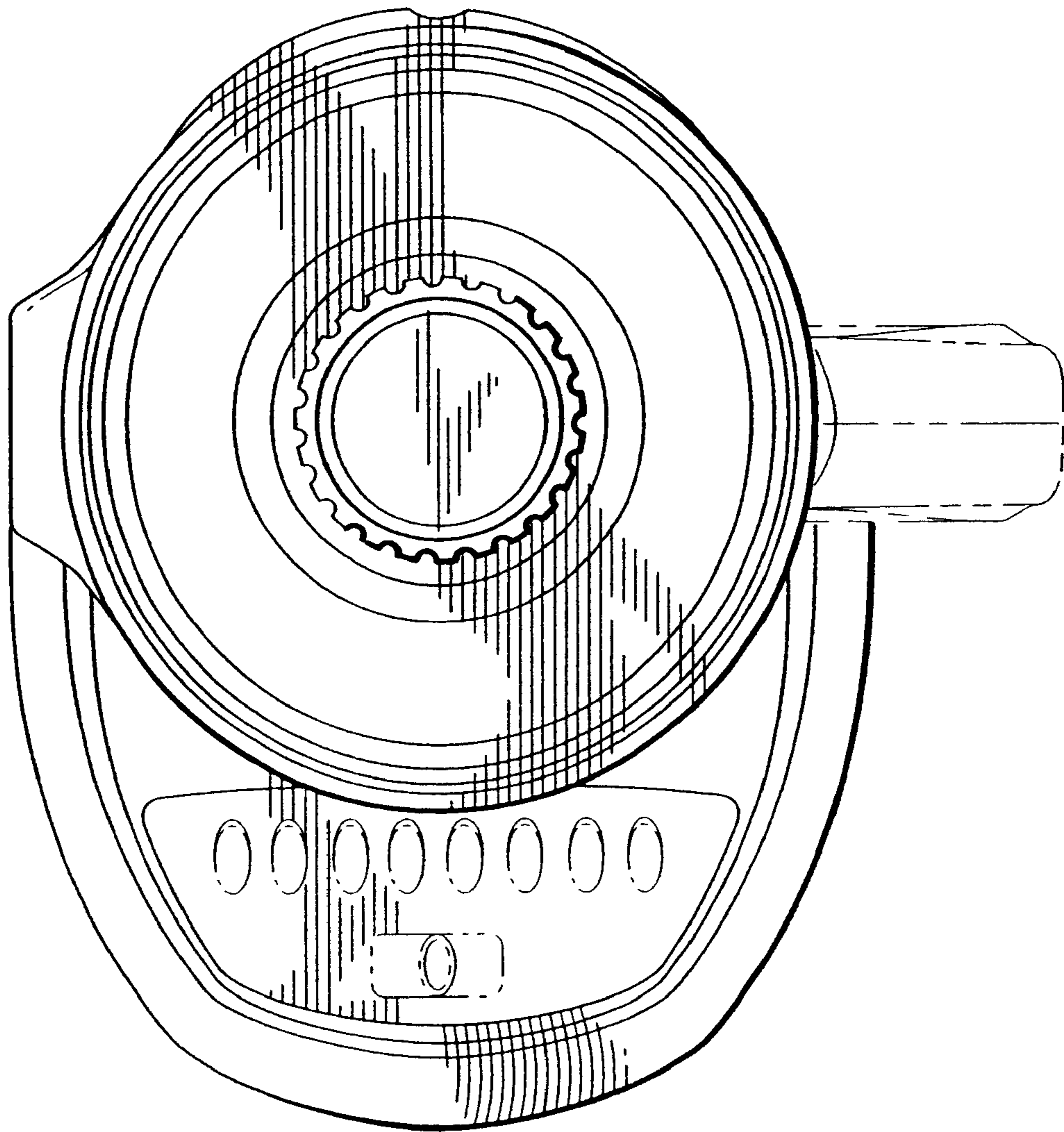


Fig. 16

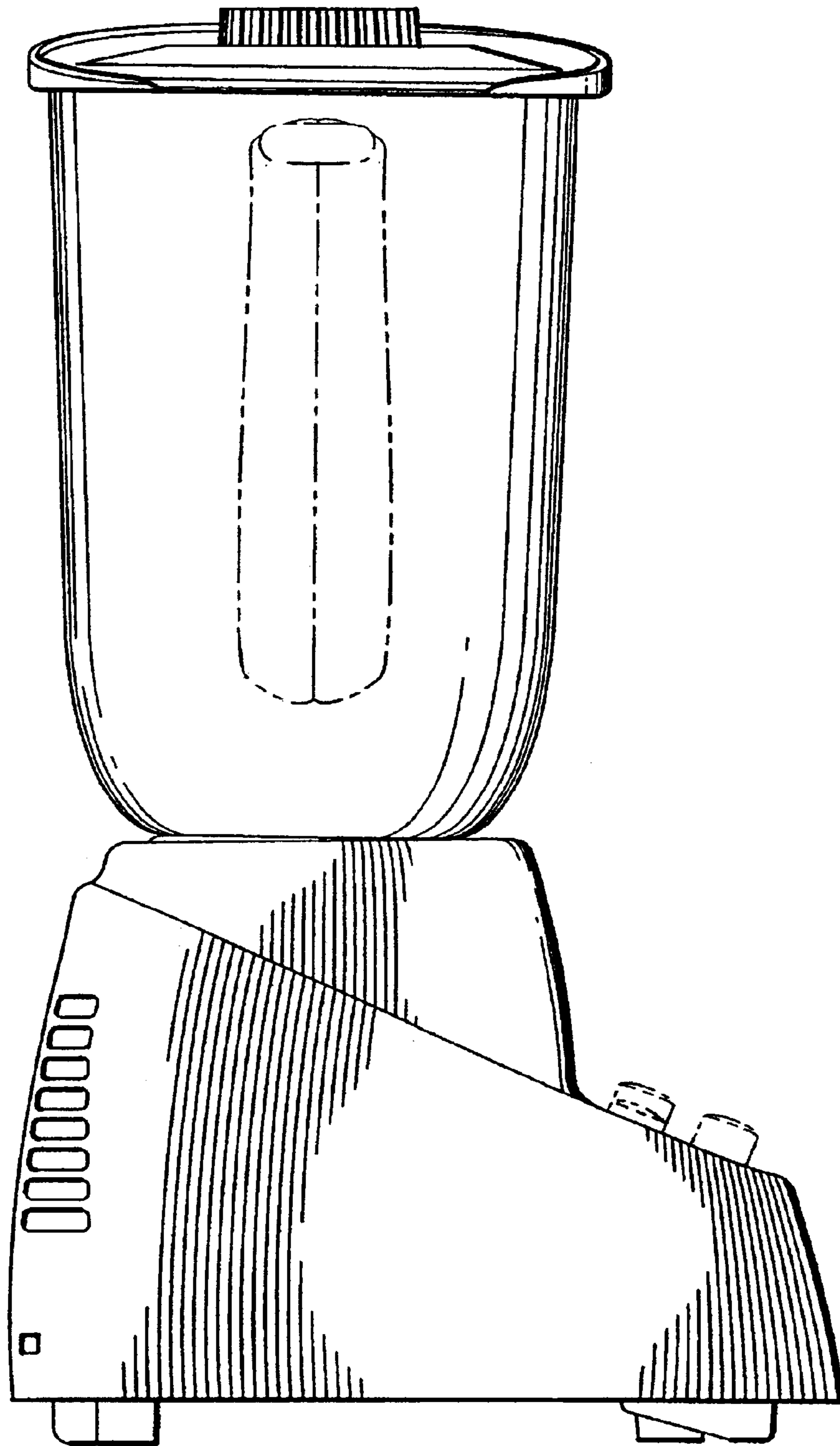


Fig. 17

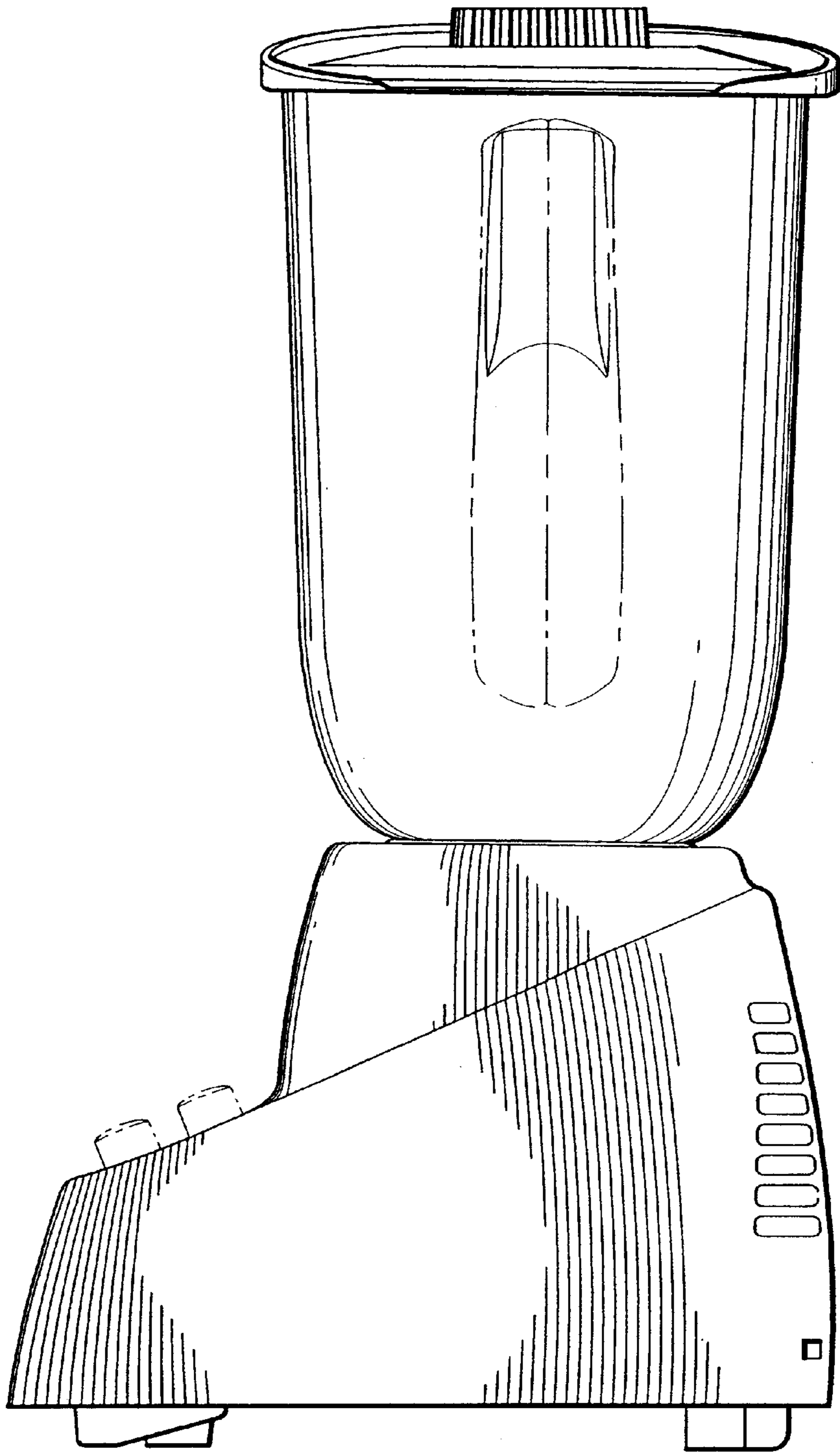


Fig. 18