



US00D451755B1

(12) **United States Design Patent**
Brandel et al.

(10) **Patent No.:** **US D451,755 S**

(45) **Date of Patent:** **** Dec. 11, 2001**

(54) **FOOD WASTE DISPOSER**

(75) Inventors: **Robert L. Brandel**, Elm Grove; **Scott W. Anderson; Karl E. Salley**, both of Racine, all of WI (US); **Jonathan P. Van Dore**, Minneapolis, MN (US)

(73) Assignee: **Emerson Electric Co.**, St. Louis, MO (US)

(**) Term: **14 Years**

(21) Appl. No.: **29/121,628**

(22) Filed: **Apr. 10, 2000**

(51) **LOC (7) Cl.** **31-00**

(52) **U.S. Cl.** **D7/375; D7/372**

(58) **Field of Search** D7/372, 375; 4/DIG. 4, 4/629; 241/46.013, 46.014, 46.015, 46.016; 222/421, 465.1; 215/380, 48; 435/290.4

(56) **References Cited**

U.S. PATENT DOCUMENTS

D. 194,128	*	11/1962	Hawkins	D55/1
D. 207,918	*	6/1967	Clark	D55/1
D. 212,127	*	8/1968	Smith	D55/1
D. 431,752	*	10/2000	Brandel et al.	D7/375
1,765,267	*	6/1930	Hartman	.	
2,225,171		12/1940	Hammes	83/6
3,161,360	*	12/1964	Levine	241/100.5
3,165,271	*	1/1965	Enright	241/300
3,589,624		6/1971	Smith	241/46.08
3,814,333	*	6/1974	Sapienza	241/46 B
3,875,462		4/1975	Kiefer et al.	317/13 R

5,340,036		8/1994	Riley	241/56
5,795,062	*	8/1998	Johnson	366/136
5,856,173		1/1999	Riley et al.	435/264
6,007,006		12/1999	Engel et al.	241/46.014

OTHER PUBLICATIONS

Brochure, IN-SINK-ERATOR, *Nothing Works Like a Pro™*, 1998.

Brochure, IN-SINK-ERATOR, *Introducing on All New In-Sink-Erator® Lineup*, 1999.

Brochure, IN-SINK-ERATOR, *Food Waste Disposers by In-Sink-Erator®*, 1995.

* cited by examiner

Primary Examiner—James Gandy

Assistant Examiner—Daniel Bui

(74) *Attorney, Agent, or Firm*—Howrey Simon Arnold & White, LLP

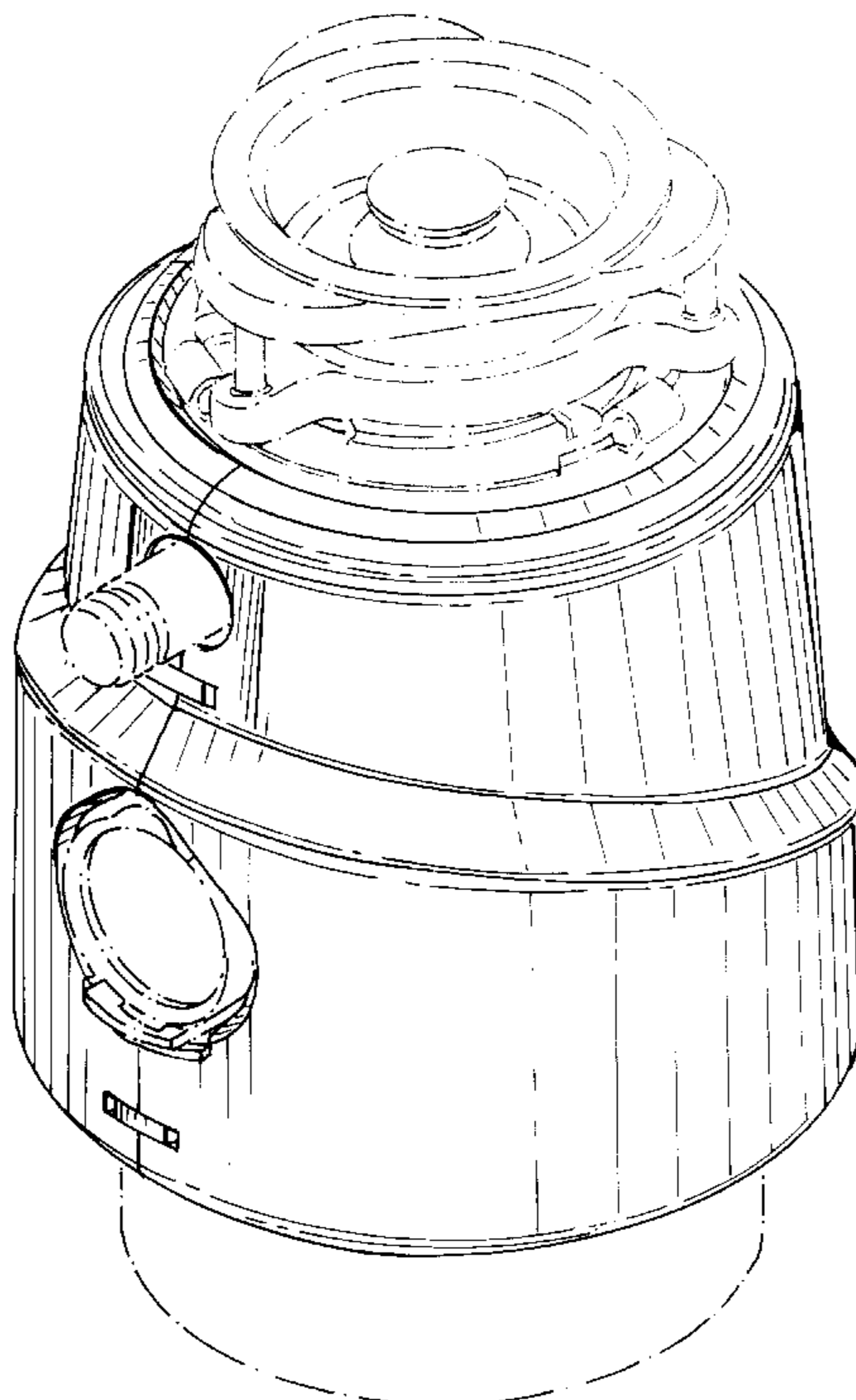
(57) **CLAIM**

The ornamental design for a “food waste disposer”, as shown as described.

DESCRIPTION

FIG. 1 is a perspective view of the “food waste” disposer. FIG. 2 is a rear elevation view of the “food waste” disposer. FIG. 3 is a side elevation view of the “food waste” disposer. FIG. 4 is a front elevation view of the “food waste” disposer. FIG. 5 is a top plan view of the “food waste” disposer; and, FIG. 6 is a bottom plan view of the “food waste” disposer. The broken lines are for illustrative purposes only and form no part of the claimed design.

1 Claim, 5 Drawing Sheets



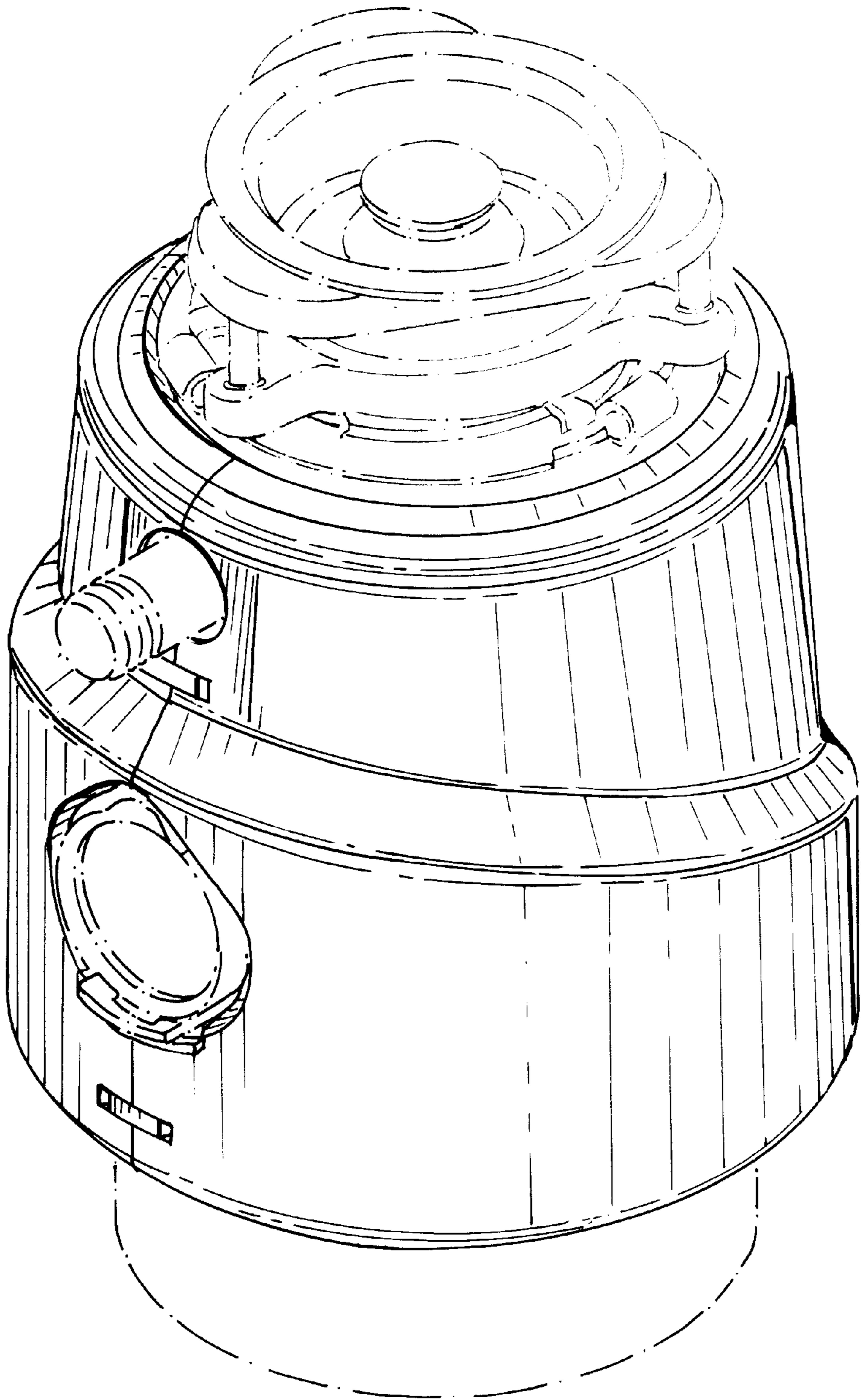


FIG. 1

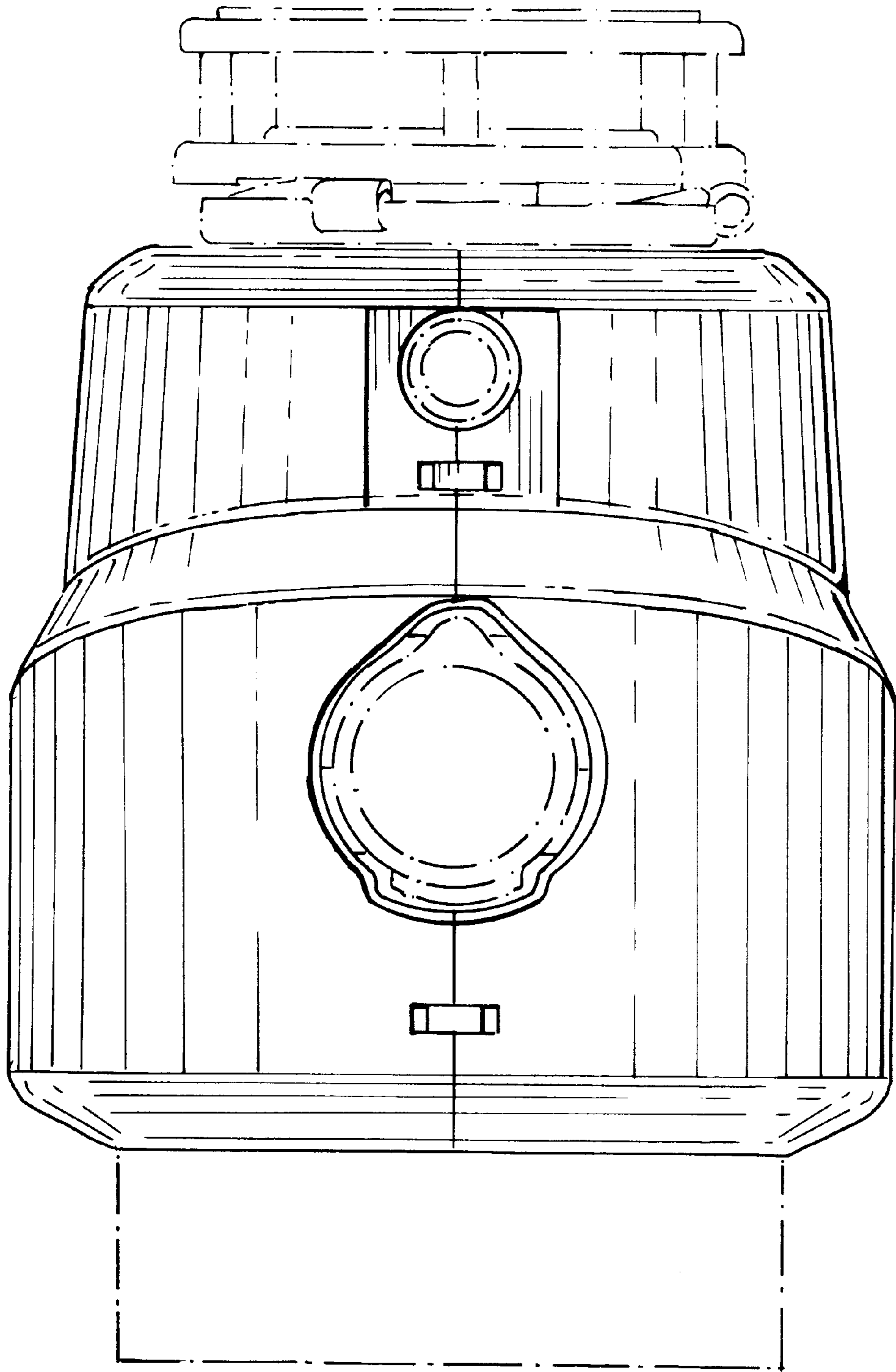


FIG. 2

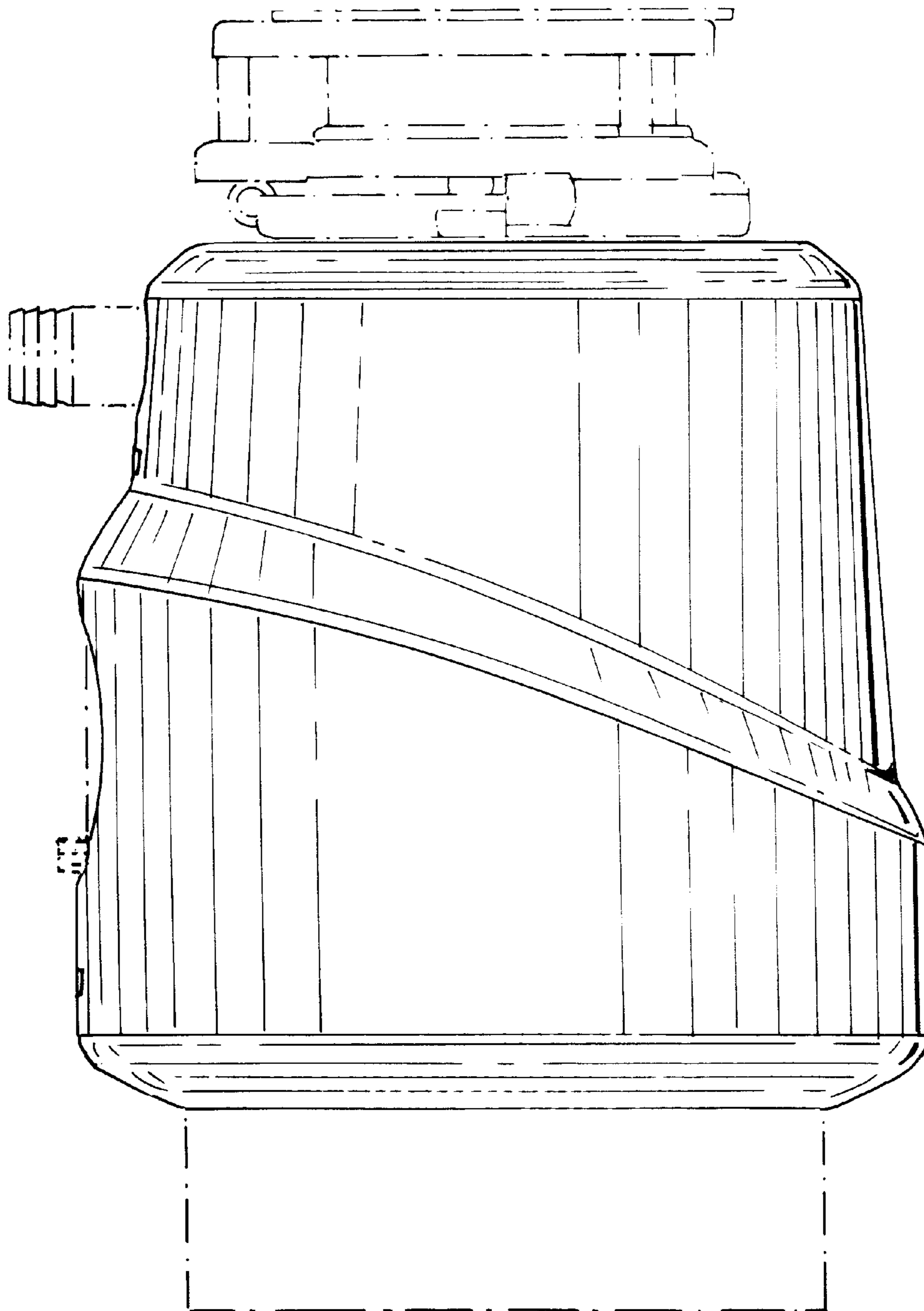


FIG. 3

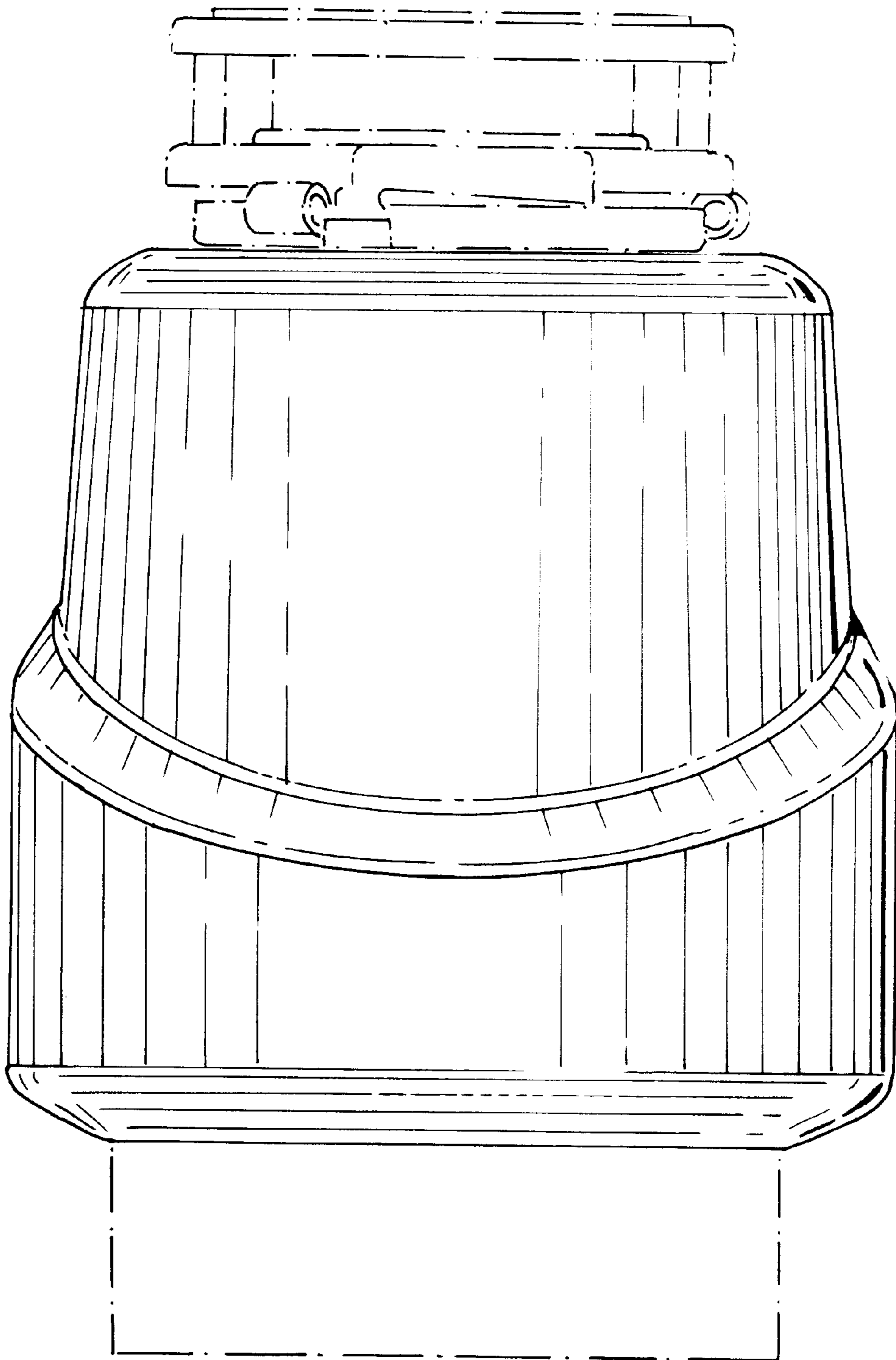


FIG. 4

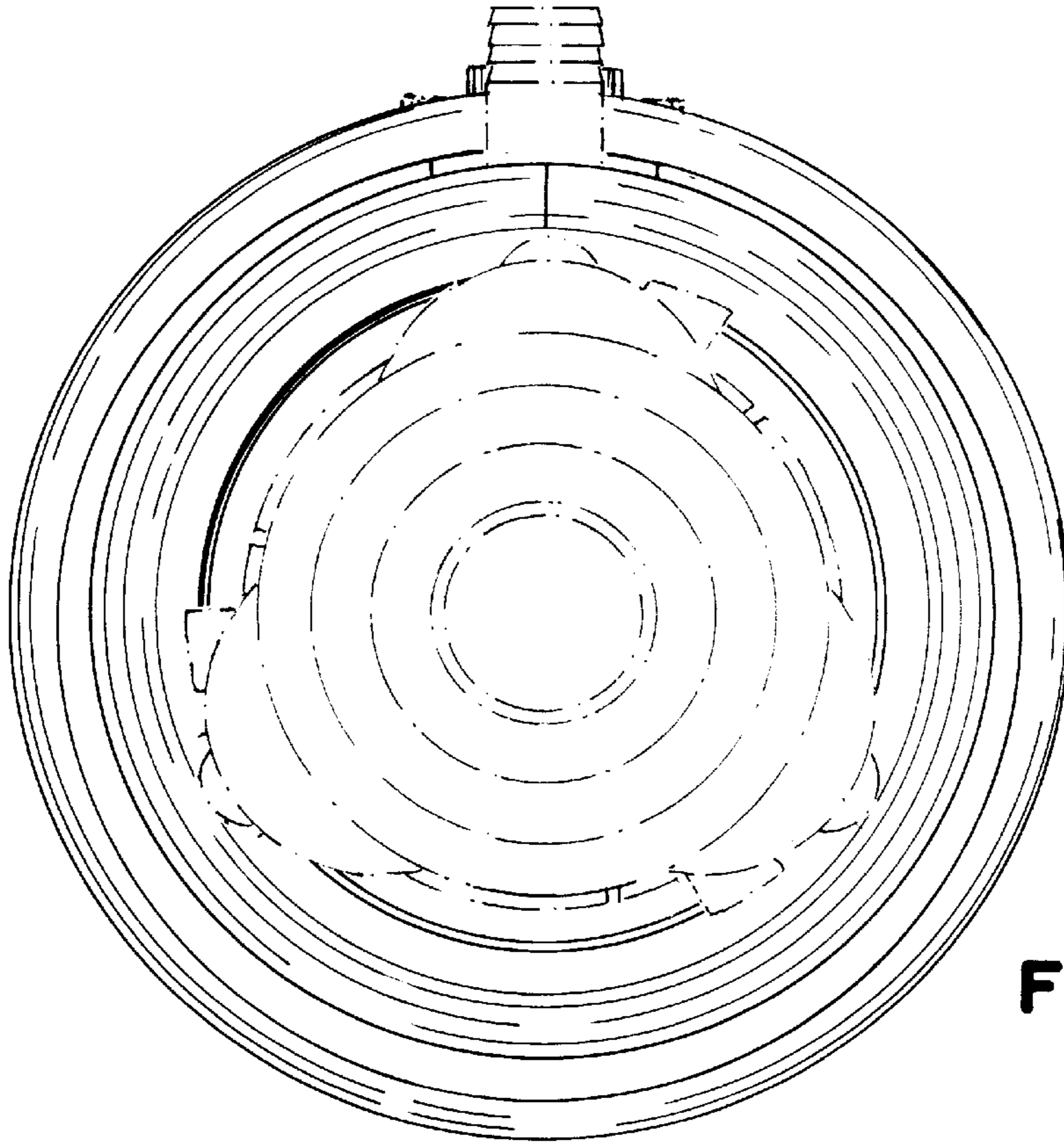


FIG. 5

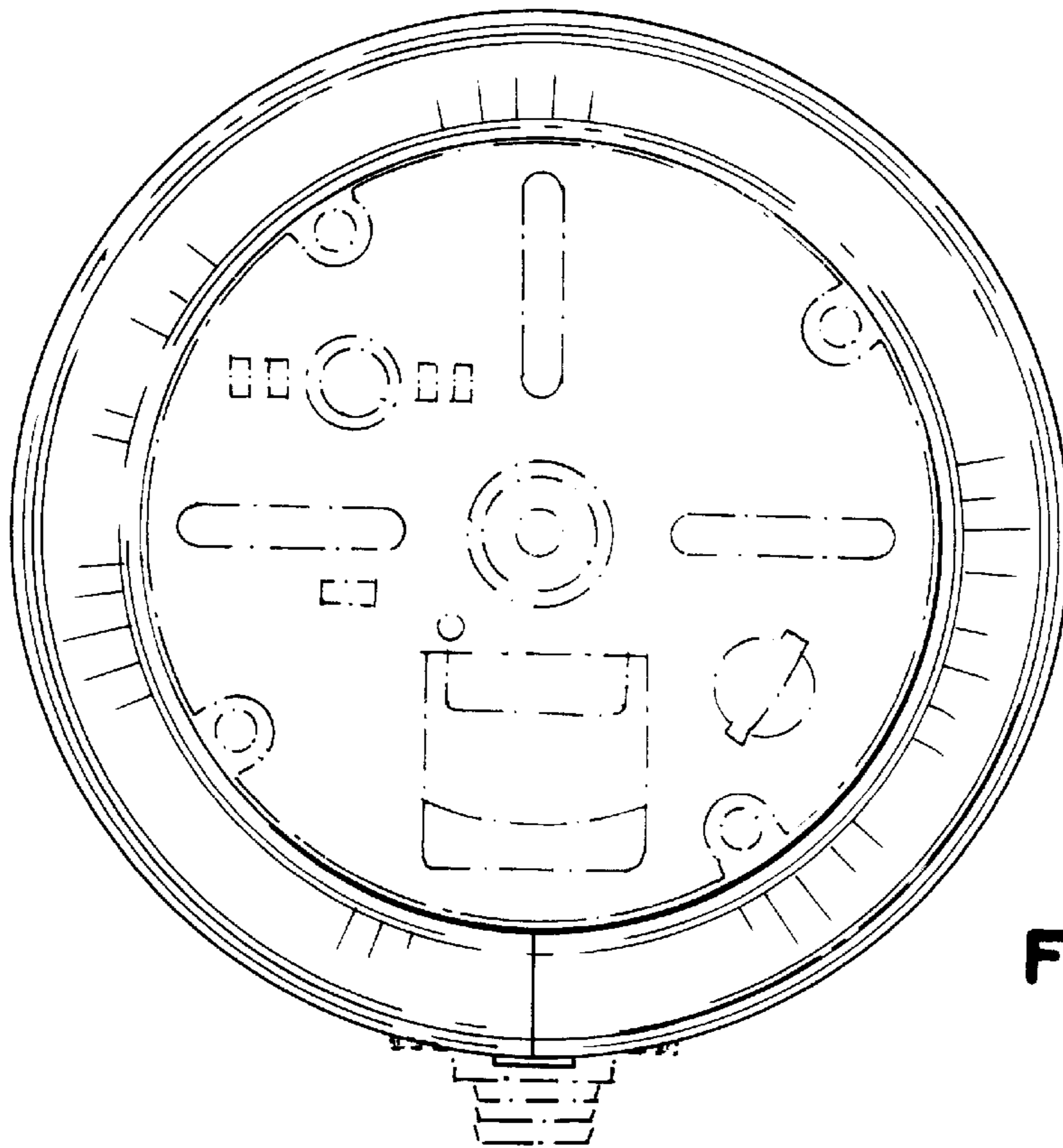


FIG. 6