



US00D451754B1

(12) **United States Design Patent**  
**Cousins et al.**

(10) **Patent No.: US D451,754 S**

(45) **Date of Patent: \*\* Dec. 11, 2001**

(54) **WAFFLE MAKER**

**DESCRIPTION**

(75) Inventors: **Michael A. Cousins**, New York, NY (US); **Peter Chapman**, Avon By the Sea, NJ (US)

(73) Assignee: **Maverick Industries, Inc.**, Edison, NJ (US)

(\*\*) Term: **14 Years**

(21) Appl. No.: **29/135,462**

(22) Filed: **Jan. 12, 2001**

(51) **LOC (7) Cl. .... 07-02**

(52) **U.S. Cl. .... D7/352**

(58) **Field of Search .... D7/323, 352-363;**  
99/324, 339, 340, 341, 372, 375, 378, 385,  
446

(56) **References Cited**

**U.S. PATENT DOCUMENTS**

D. 227,179	*	6/1973	Grafton et al. ....	D7/352
D. 309,844	*	8/1990	Storsberg .....	D7/352
D. 367,994	*	3/1996	Bloom et al. ....	D7/352
D. 419,823	*	2/2000	Choi .....	D7/352
D. 436,794	*	1/2001	McClellan .....	D7/352

\* cited by examiner

*Primary Examiner*—Caron D. Veynar

(74) *Attorney, Agent, or Firm*—Lerner, David, Littenberg, Krumholz & Mentlik, LLP

(57) **CLAIM**

The ornamental design for a waffle maker, as shown and described.

FIG. 1 is a perspective view of a waffle maker showing my new design, in accordance with a first embodiment of the present invention.

FIG. 2 is a front elevational view thereof.

FIG. 3 is a rear elevational view thereof.

FIG. 4 is a right-side elevational view thereof, the left-side elevational view being the mirror image thereof.

FIG. 5 is a top plan view thereof.

FIG. 6 is a perspective view of a waffle maker showing my new design, in accordance with a second embodiment of the present invention.

FIG. 7 is a front elevational view of the waffle maker of FIG. 6.

FIG. 8 is a rear elevational view of the waffle maker of FIG. 6.

FIG. 9 is a right-side elevational view of the waffle maker of FIG. 6, the left-side elevational view being the mirror image thereof.

FIG. 10 is a top plan view of the waffle maker of FIG. 6.

FIG. 11 is a perspective view of a waffle maker showing my new design, in accordance with a third embodiment of the present invention.

FIG. 12 is a front elevational view of the waffle maker of FIG. 11.

FIG. 13 is a rear elevational view of the waffle maker of FIG. 11.

FIG. 14 is a right-side elevational view of the waffle maker of FIG. 11, the left-side elevational view being the mirror image thereof; and,

FIG. 15 is a top plan view of the waffle maker of FIG. 11.

The broken lines showing a handle and control knobs on a control panel are for illustrative purposes only and form no part of the claimed design.

**1 Claim, 9 Drawing Sheets**

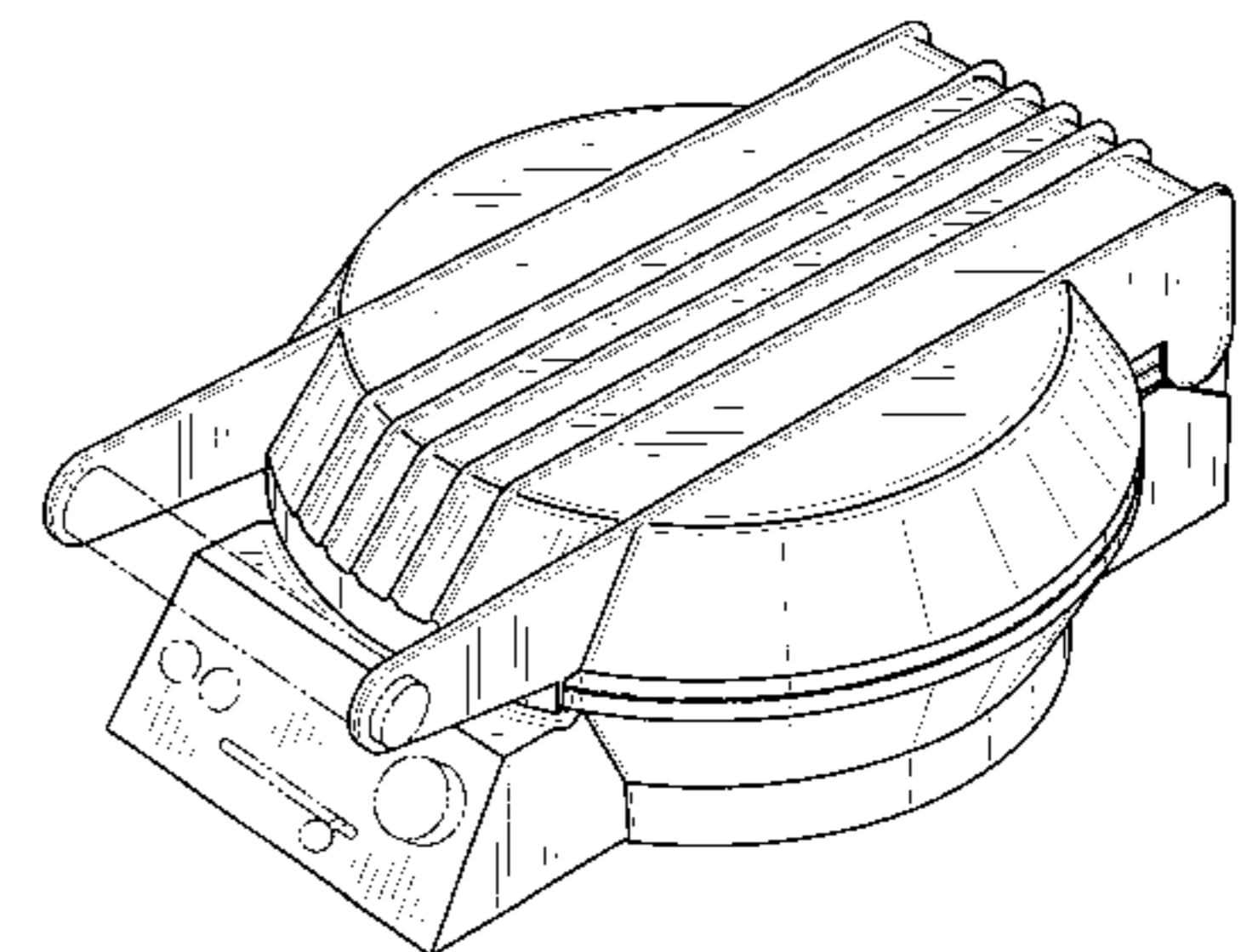
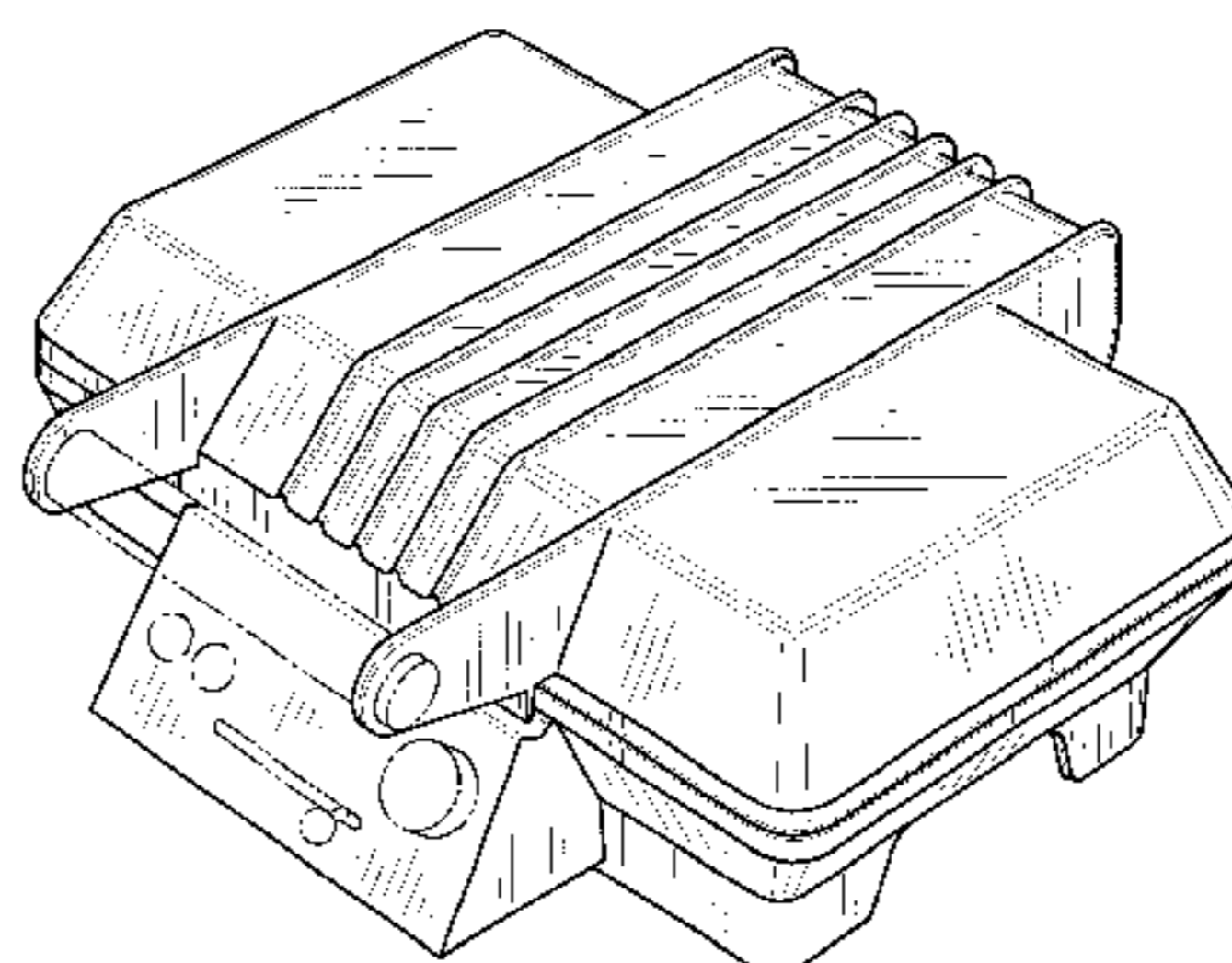
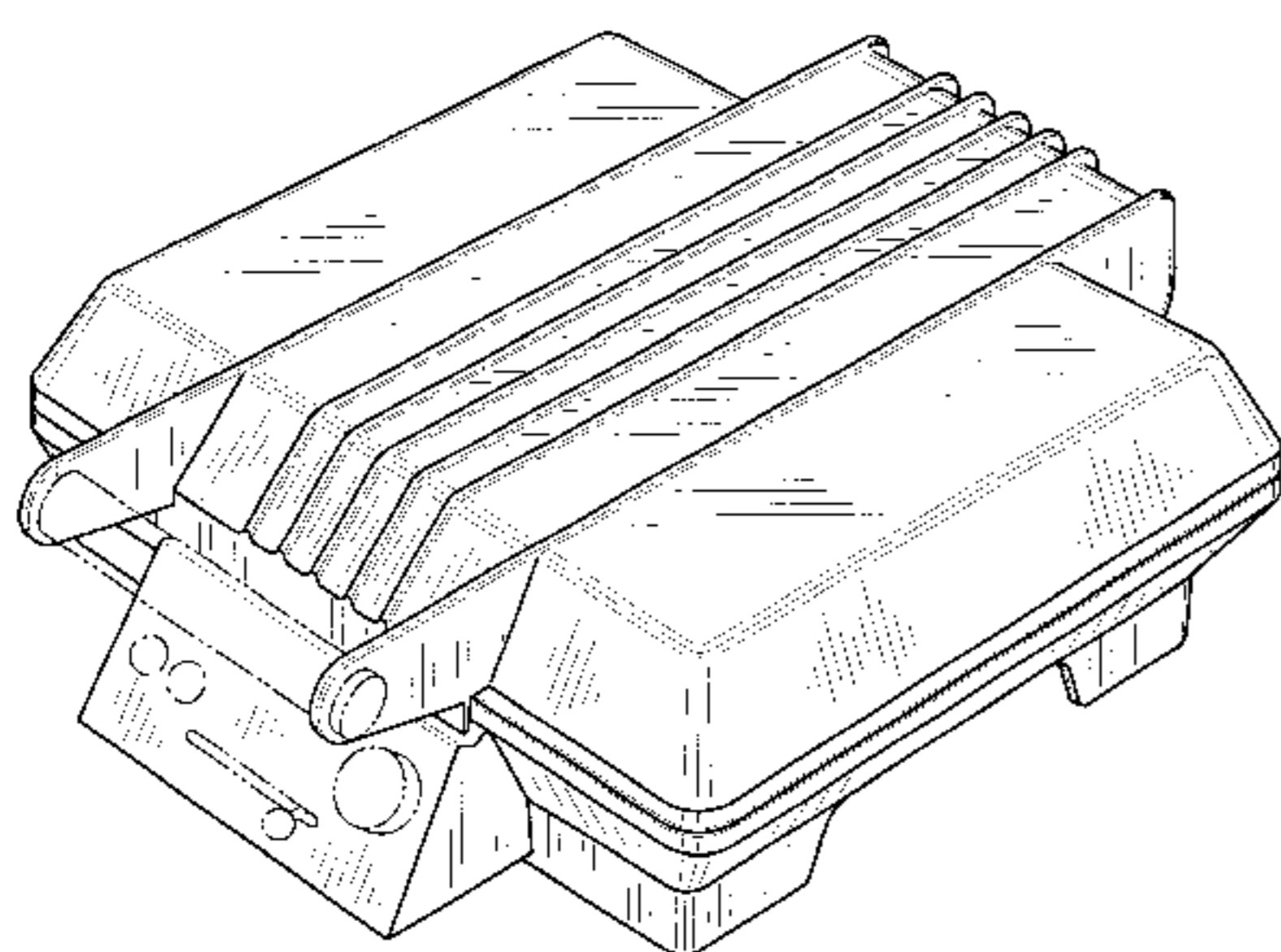


FIG. 1

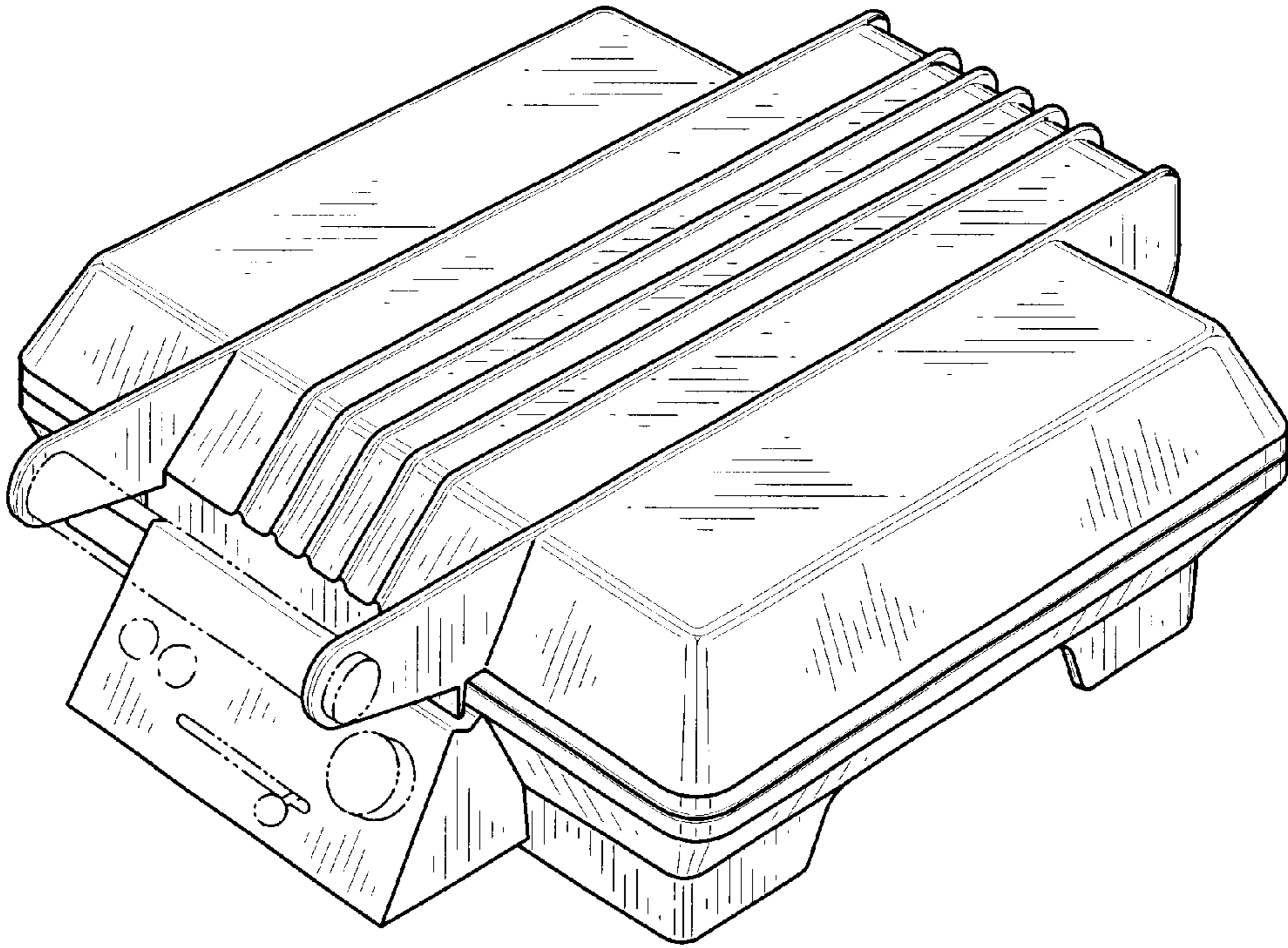
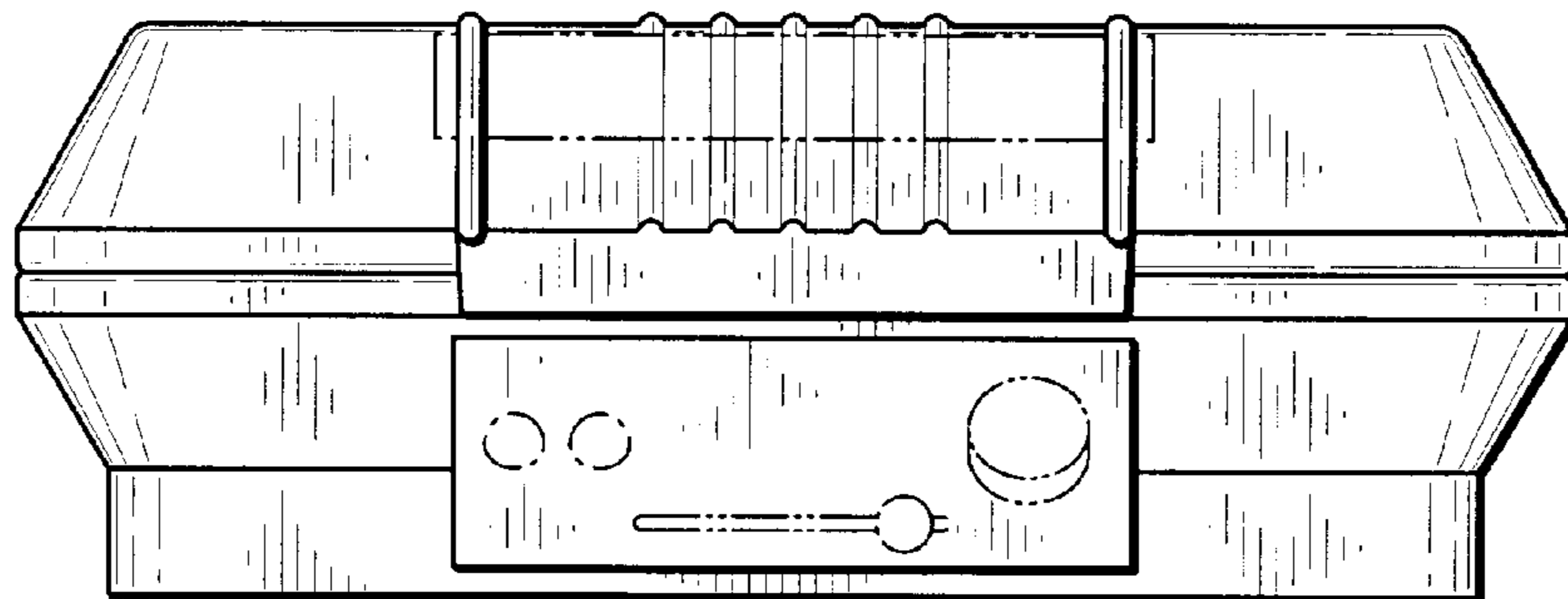
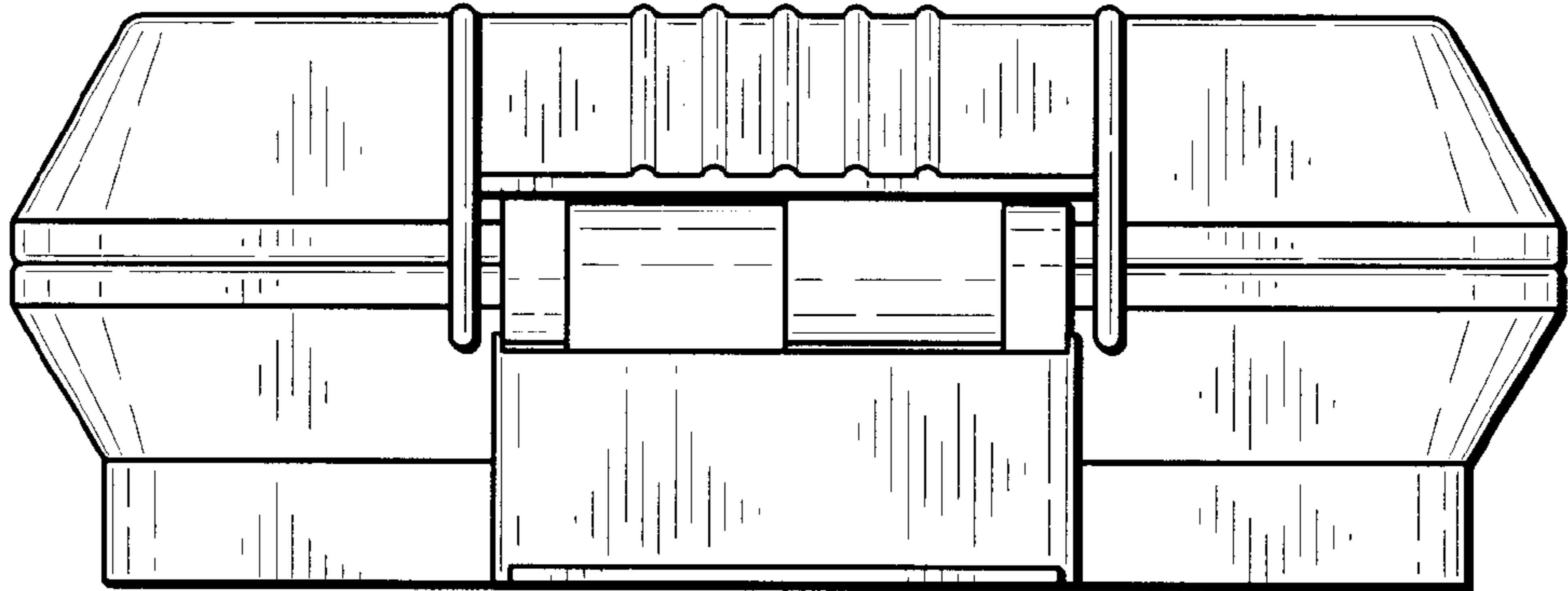


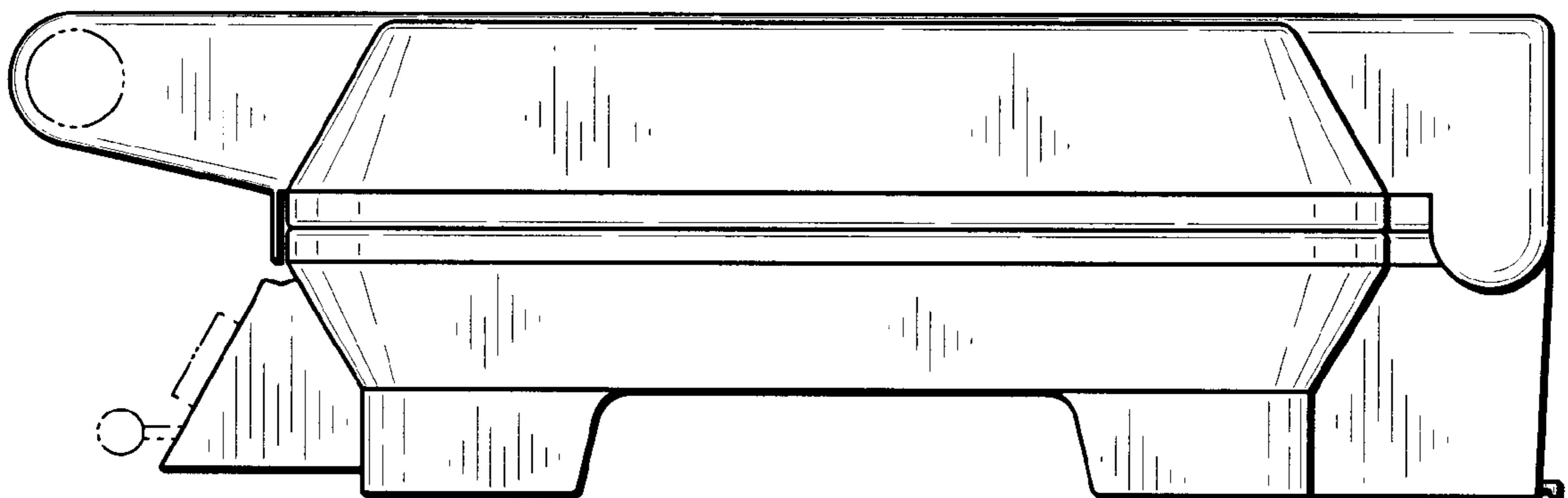
FIG. 2



*FIG. 3*



*FIG. 4*



*FIG. 5*

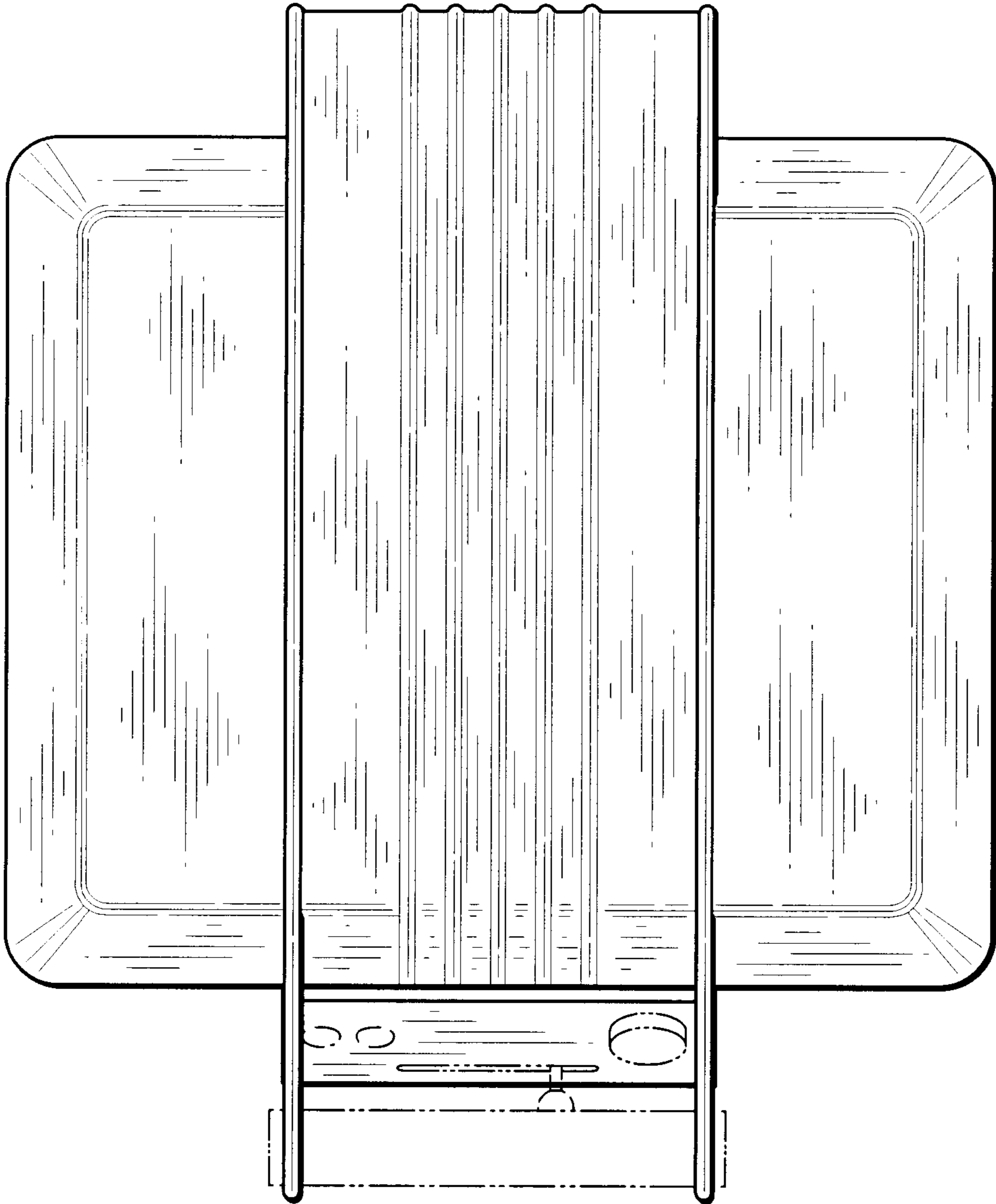




FIG. 6

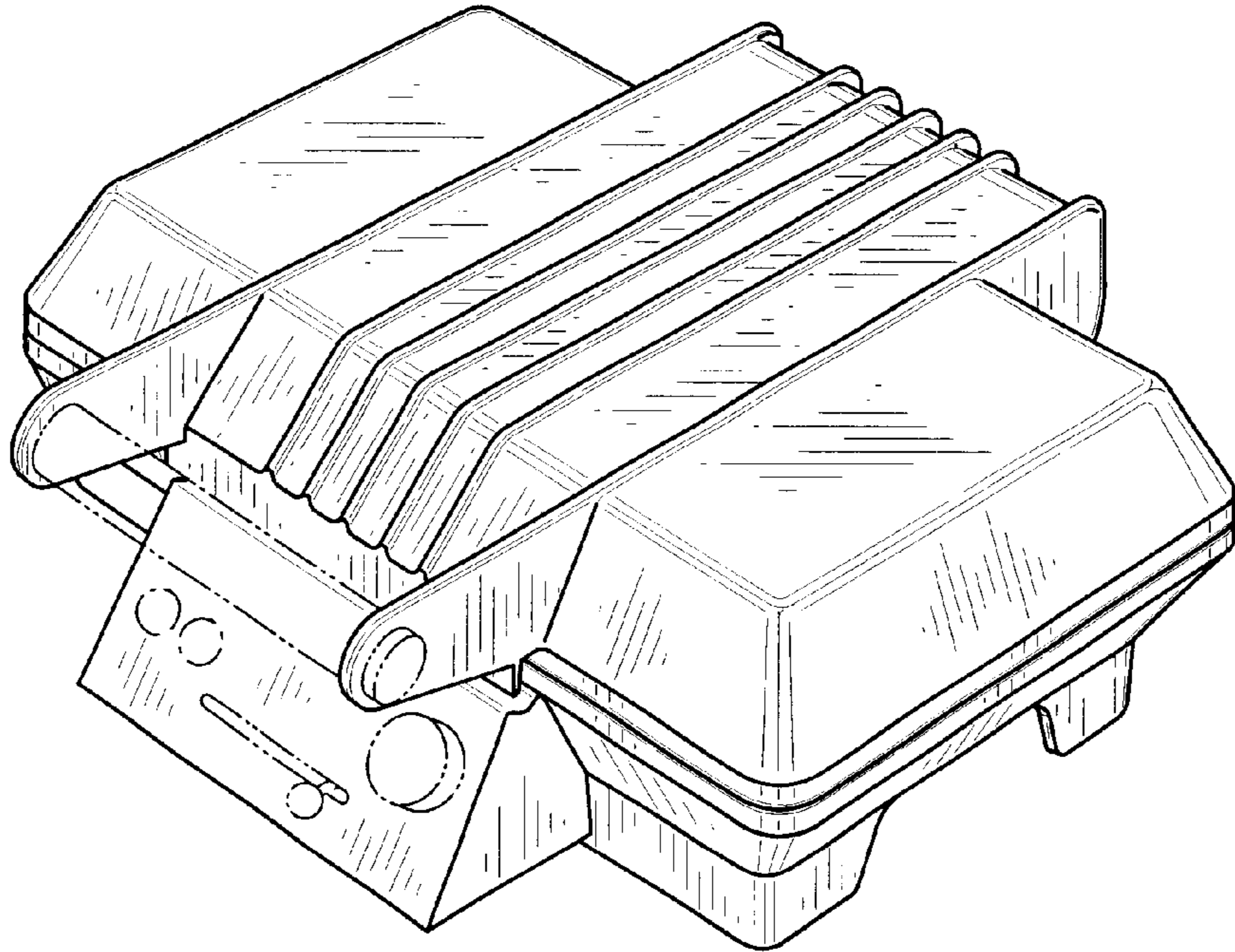
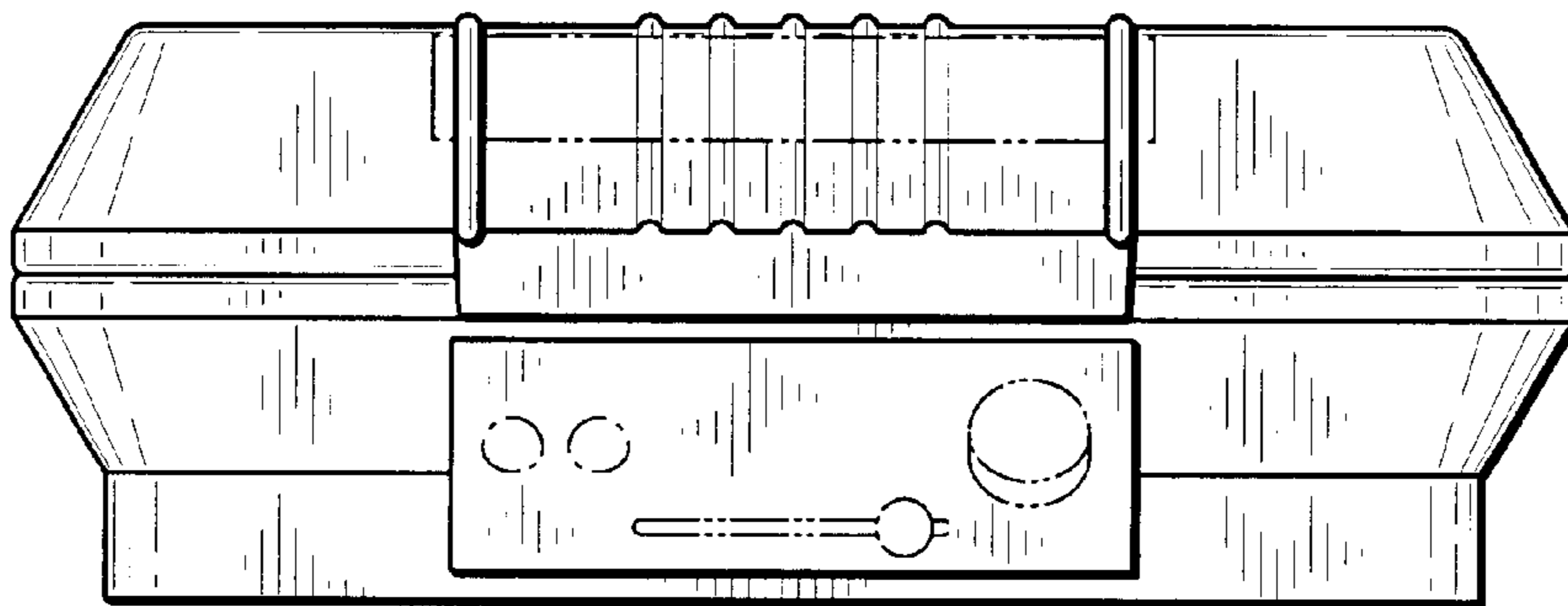
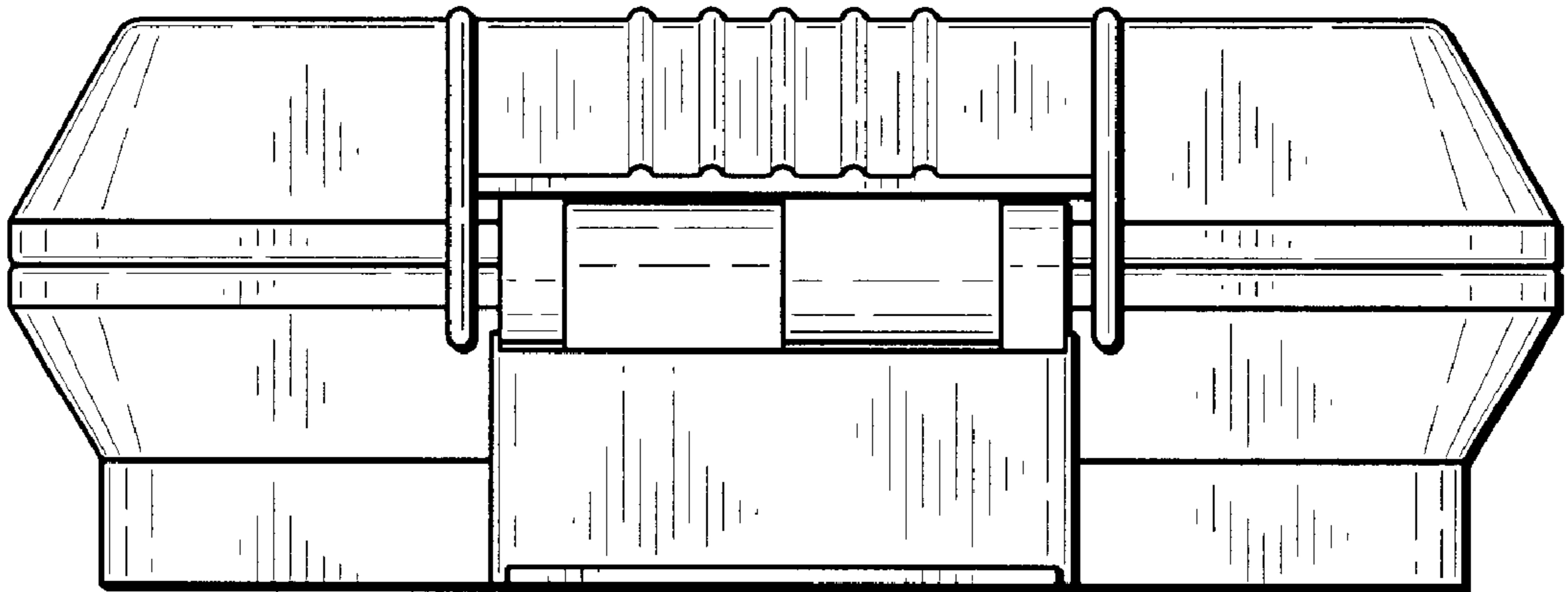


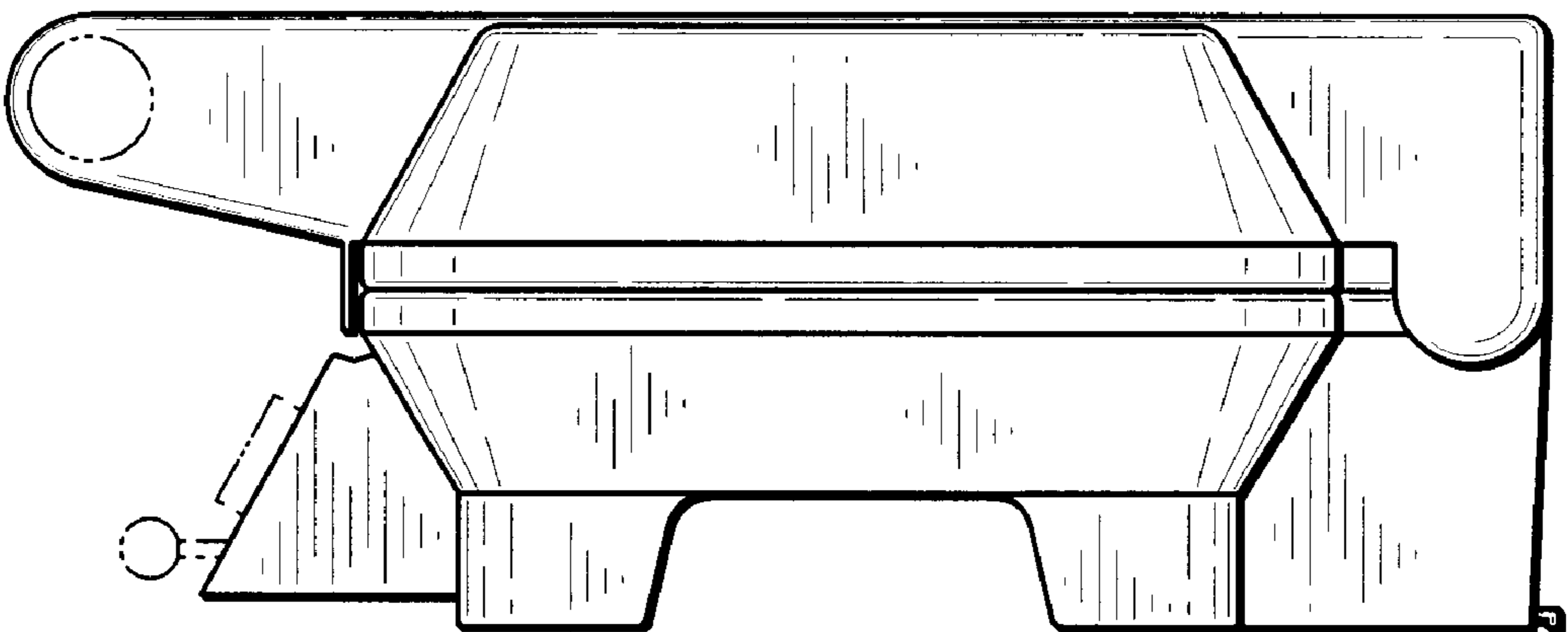
FIG. 7



*FIG. 8*



*FIG. 9*



*FIG. 10*

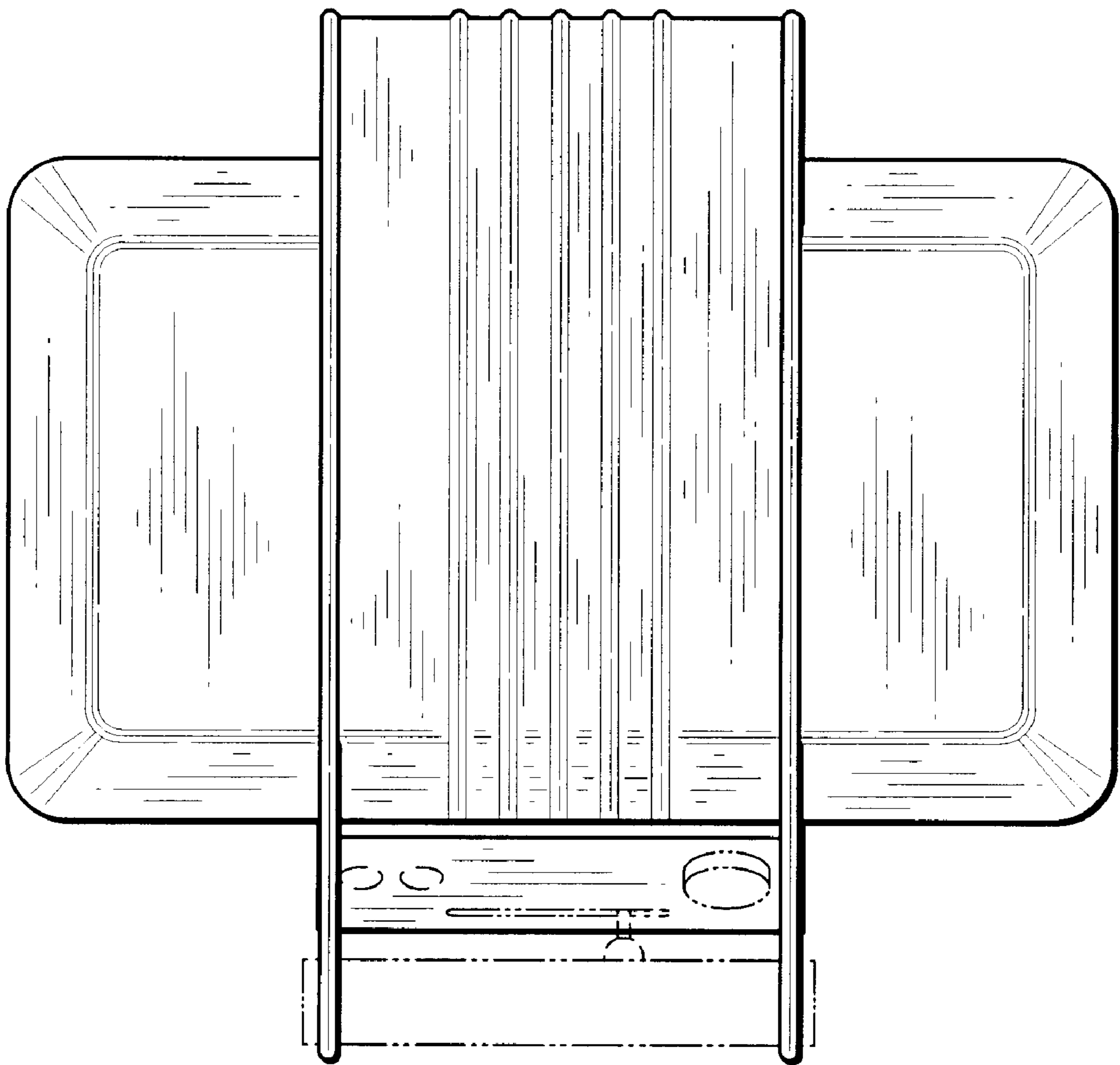


FIG. 11

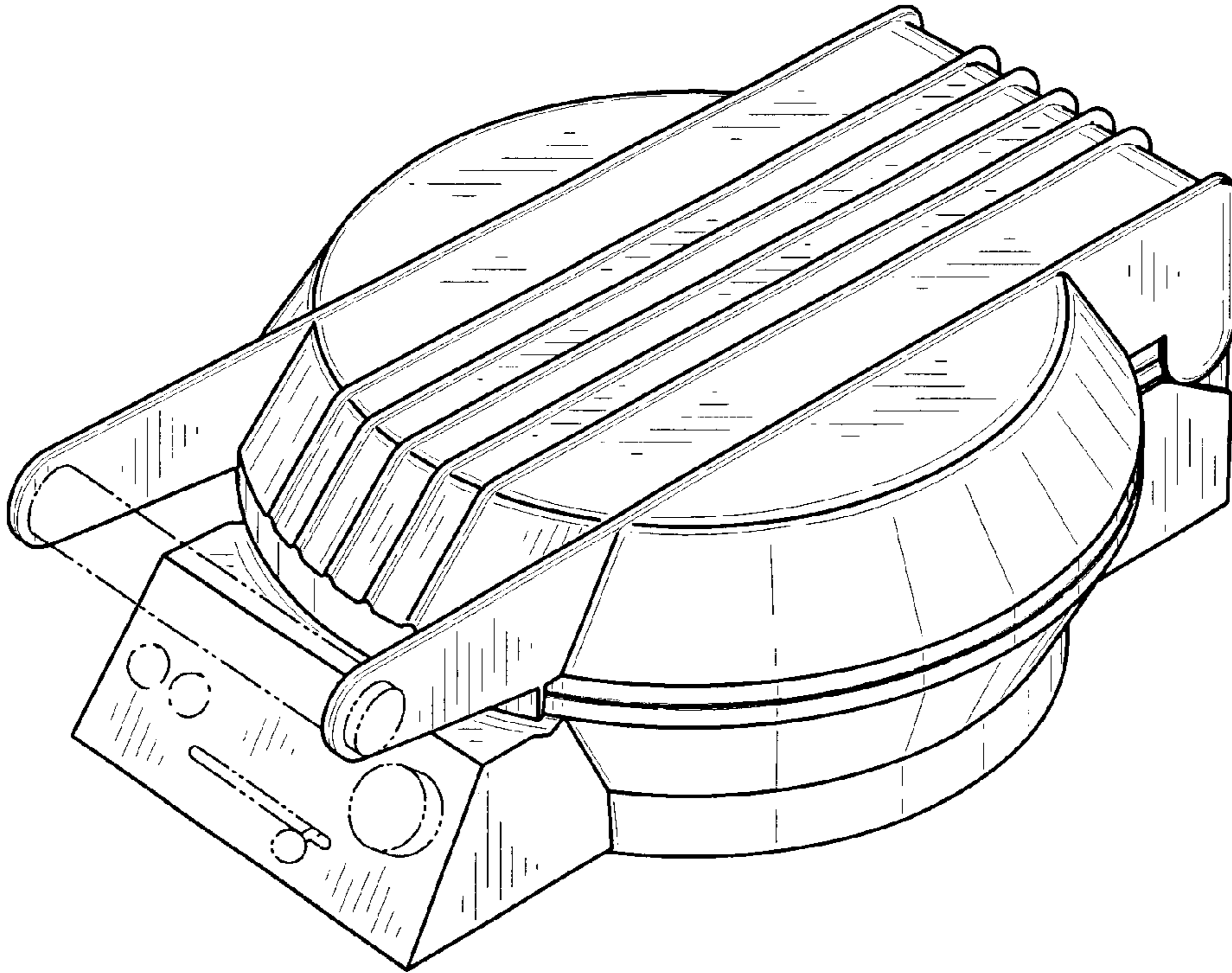
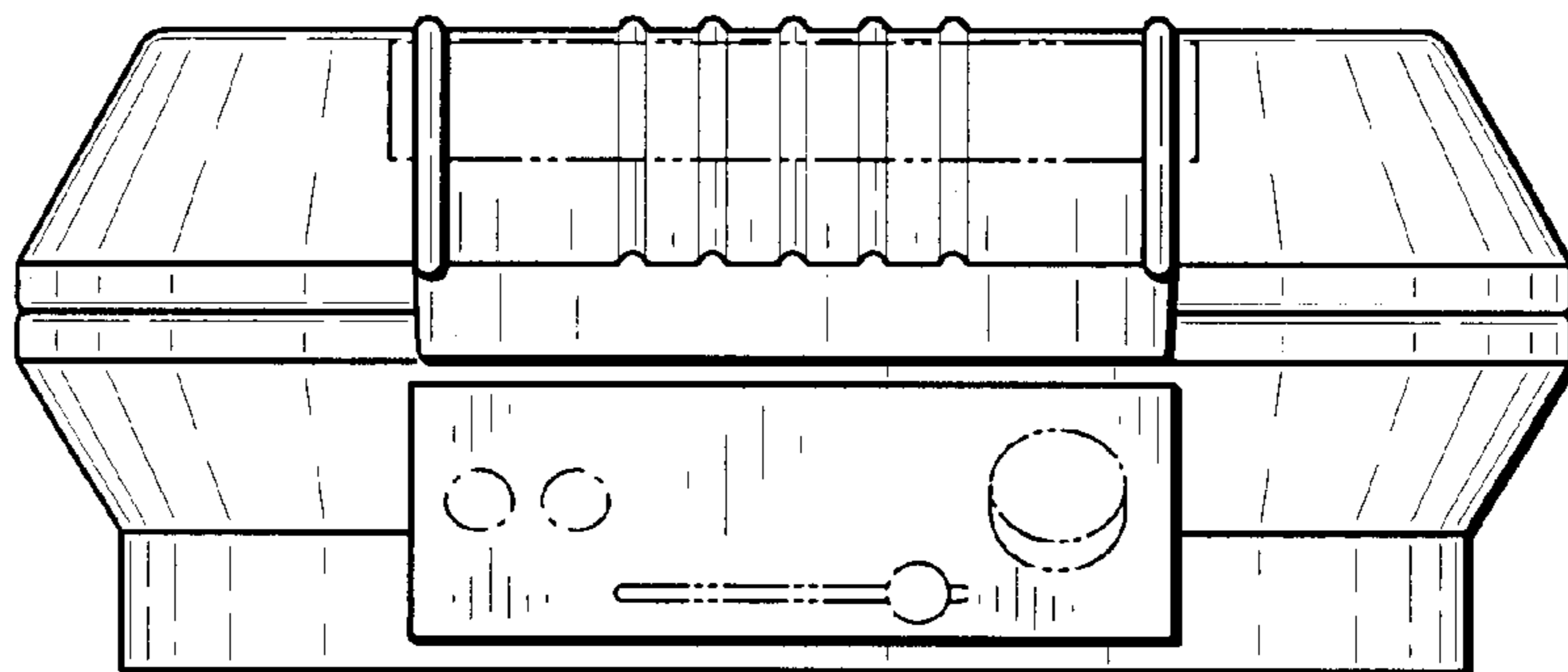
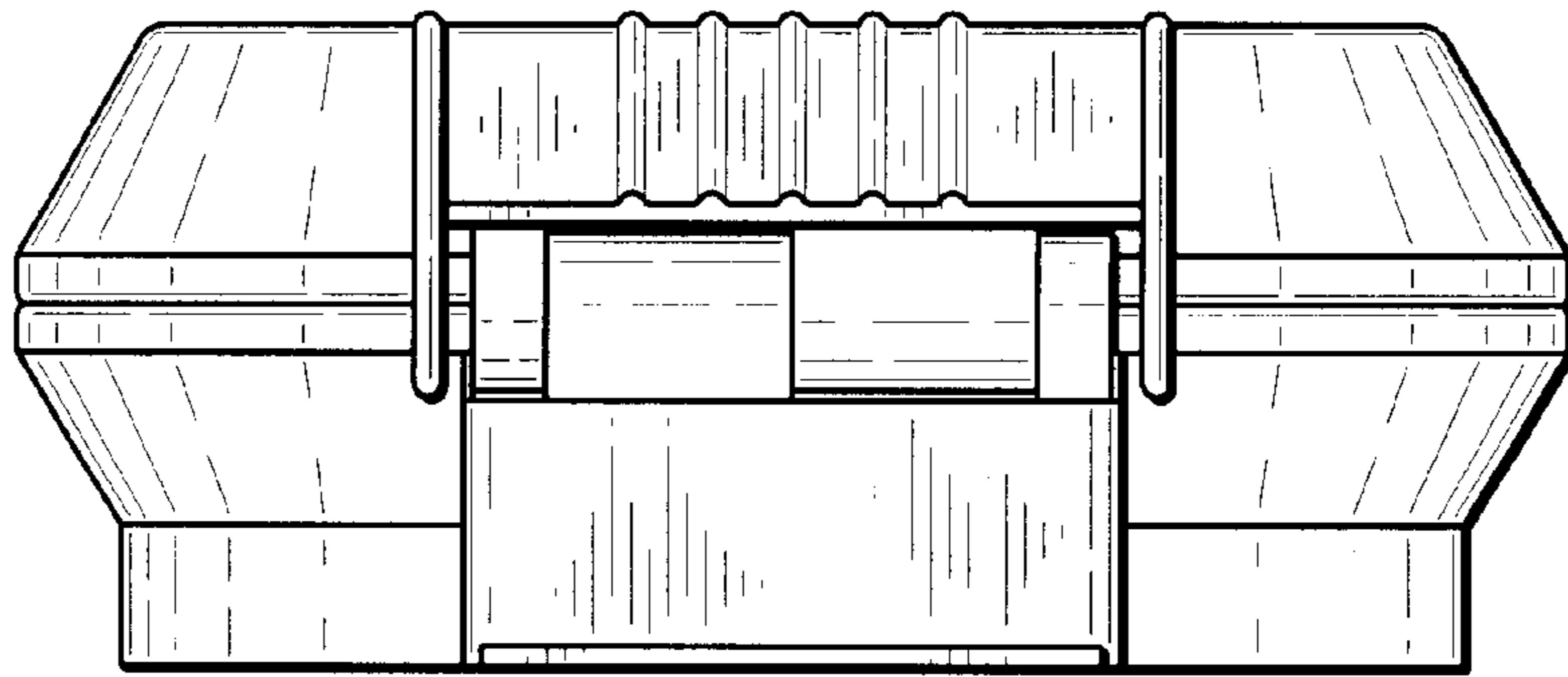


FIG. 12

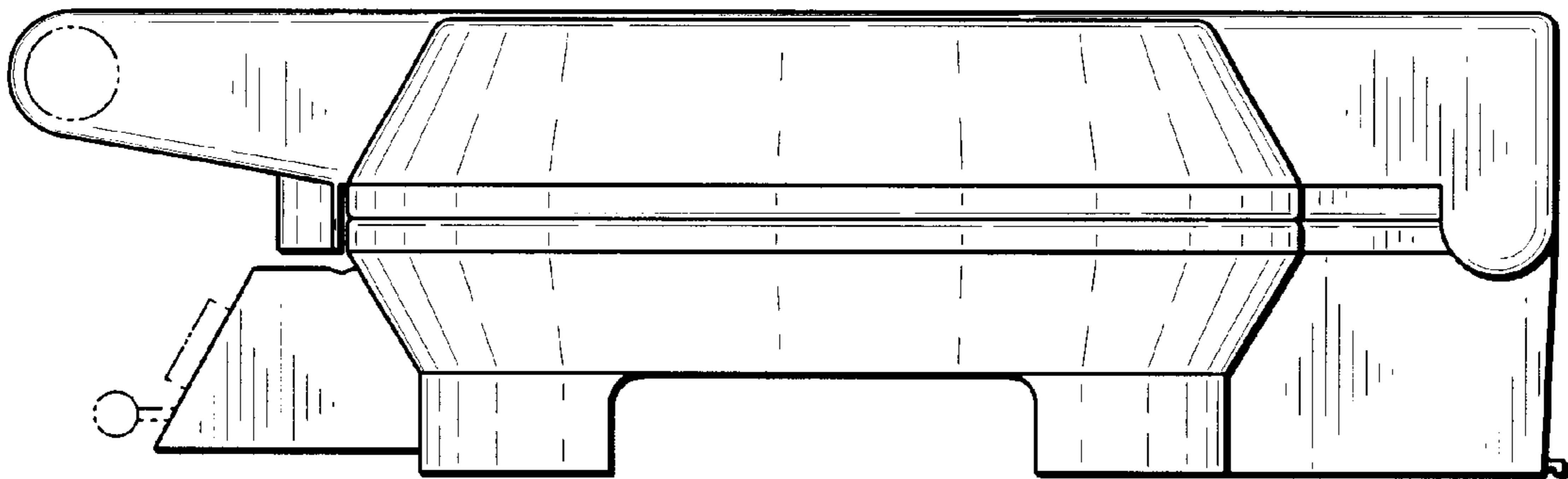




*FIG. 13*



*FIG. 14*



*FIG. 15*

