



US00D451753B1

(12) **United States Design Patent**
Chouya

(10) **Patent No.:** **US D451,753 S**

(45) **Date of Patent:** **** Dec. 11, 2001**

(54) **MICROWAVE OVEN**

(75) **Inventor:** **Miki Chouya, Osaka-fu (JP)**

(73) **Assignee:** **Sharp Kabushiki Kaisha, Osaka (JP)**

(**) **Term:** **14 Years**

(21) **Appl. No.:** **29/141,067**

(22) **Filed:** **May 1, 2001**

(30) **Foreign Application Priority Data**

Nov. 7, 2000 (JP) 12-031755

(51) **LOC (7) Cl.** **07-02**

(52) **U.S. Cl.** **D7/351**

(58) **Field of Search** D7/350.1, 350.3,
D7/350.4, 351, 402, 405-406, 362-367;
126/273 A, 275 R, 275 E, 19 M, 21 R;
219/678, 756-758, 739; 99/DIG. 14, 421 R,
341, 350

(56) **References Cited**

U.S. PATENT DOCUMENTS

- D. 329,353 9/1992 Yamada .
- D. 334,688 4/1993 Kitae et al. .
- D. 335,064 4/1993 Sugiyama et al. .
- D. 352,636 11/1994 Nakamura .
- D. 353,510 12/1994 Nakamura .
- D. 353,511 12/1994 Saimen .
- D. 353,512 12/1994 Saimen et al. .
- D. 356,006 3/1995 Saimen et al. .
- D. 357,159 4/1995 Mitsui et al. .
- D. 367,991 3/1996 Saimen .
- D. 367,992 3/1996 Saimen .
- D. 368,405 4/1996 Tada .
- D. 368,406 4/1996 Nakamura .

- D. 373,502 9/1996 Fujii et al. .
- D. 380,644 * 7/1997 Tsuda et al. D7/351
- D. 390,411 2/1998 Nakagawa .
- D. 390,412 2/1998 Takimoto .
- D. 410,813 6/1999 Fujii .
- D. 410,814 6/1999 Koike .
- D. 411,074 6/1999 Sakai et al. .
- D. 411,706 * 6/1999 Koike D7/351
- D. 425,750 5/2000 Koike .
- D. 426,102 * 6/2000 Hamada et al. D7/351
- D. 431,957 10/2000 Taira .
- D. 433,268 11/2000 Taira .
- D. 433,269 11/2000 Taira .
- D. 435,999 * 1/2001 Noda et al. D7/351
- D. 436,285 1/2001 Taira .
- D. 436,793 1/2001 Taira .
- D. 442,424 * 5/2001 Naganuma D7/351
- D. 442,821 * 5/2001 Naganuma D7/351

* cited by examiner

Primary Examiner—Ruth McInroy

(74) *Attorney, Agent, or Firm*—Nixon & Vanderhye

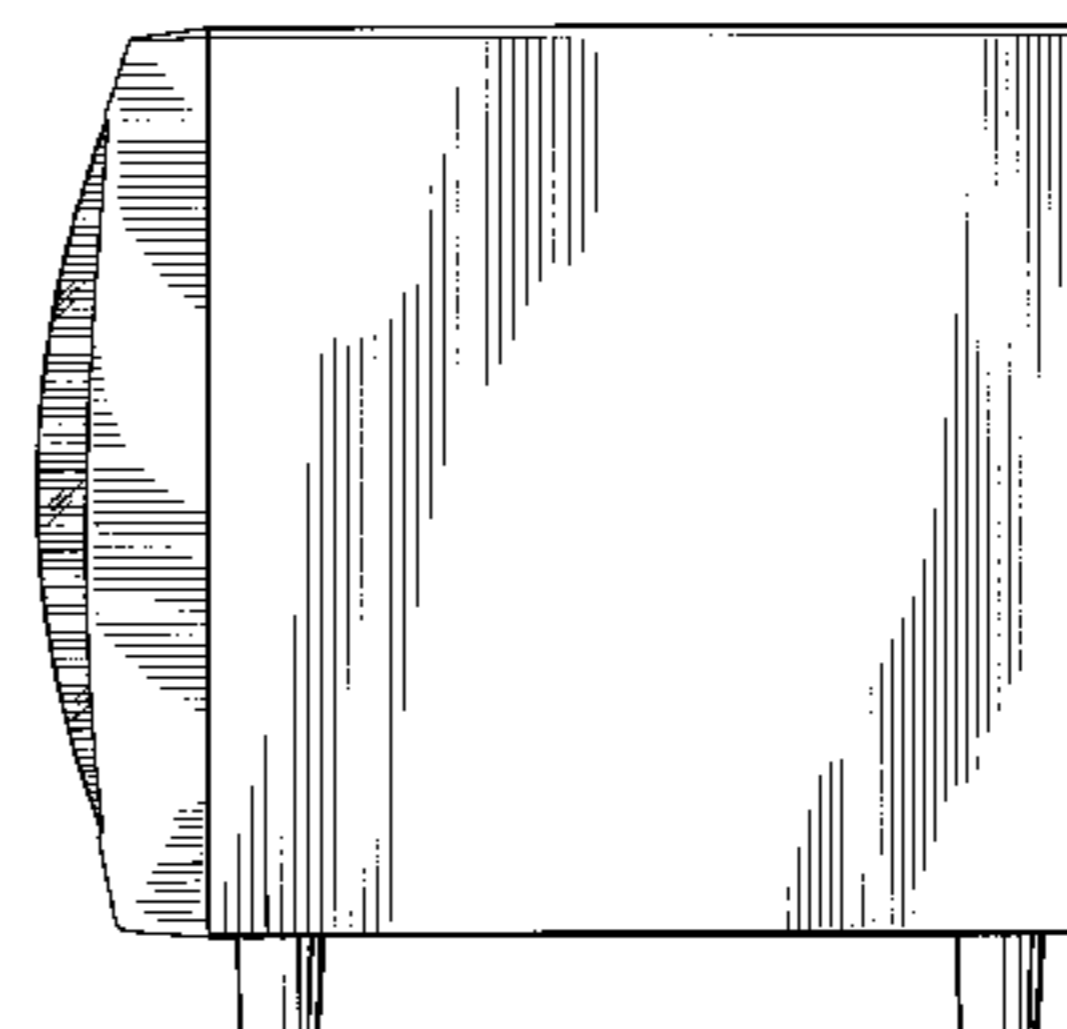
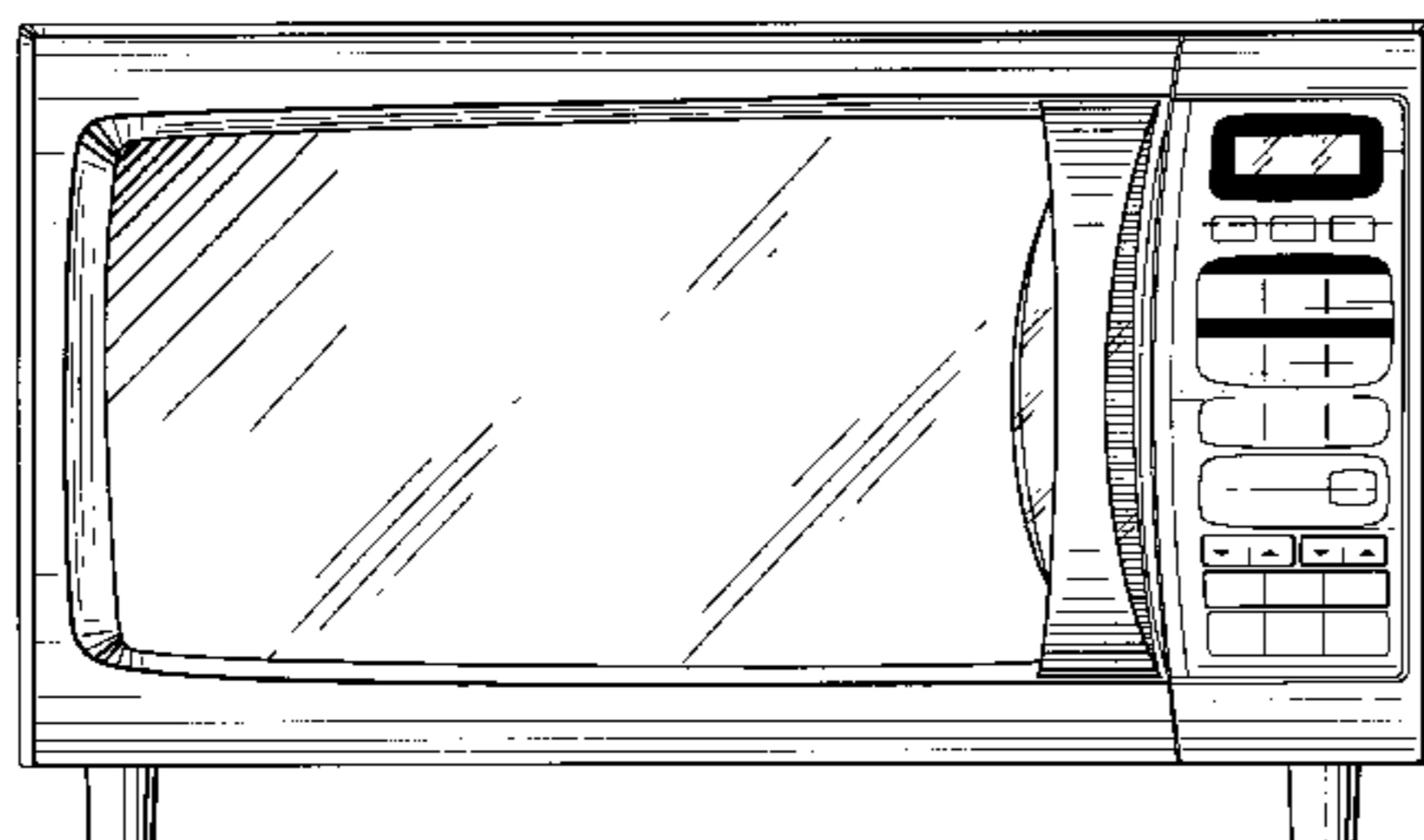
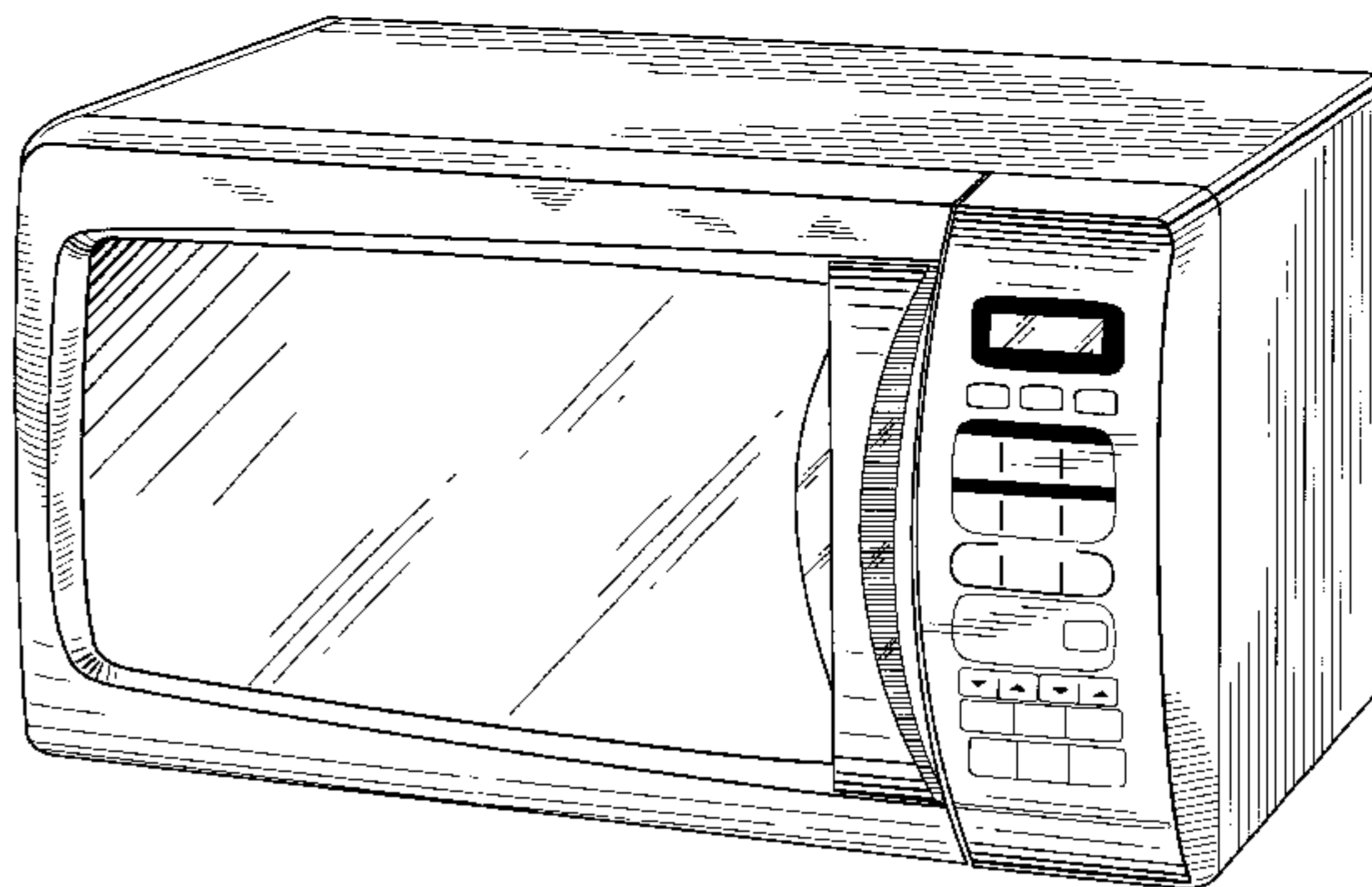
(57) **CLAIM**

The ornamental design for a microwave oven, as shown and described.

DESCRIPTION

FIG. 1 is a top, front and right side perspective view of a microwave oven showing my new design; FIG. 2 is a top plan view thereof; FIG. 3 is a front elevational view thereof; FIG. 4 is a right side elevational view thereof; FIG. 5 is a left side elevational view thereof; FIG. 6 is a rear elevational view thereof; and, FIG. 7 is a bottom plan view thereof.

1 Claim, 4 Drawing Sheets



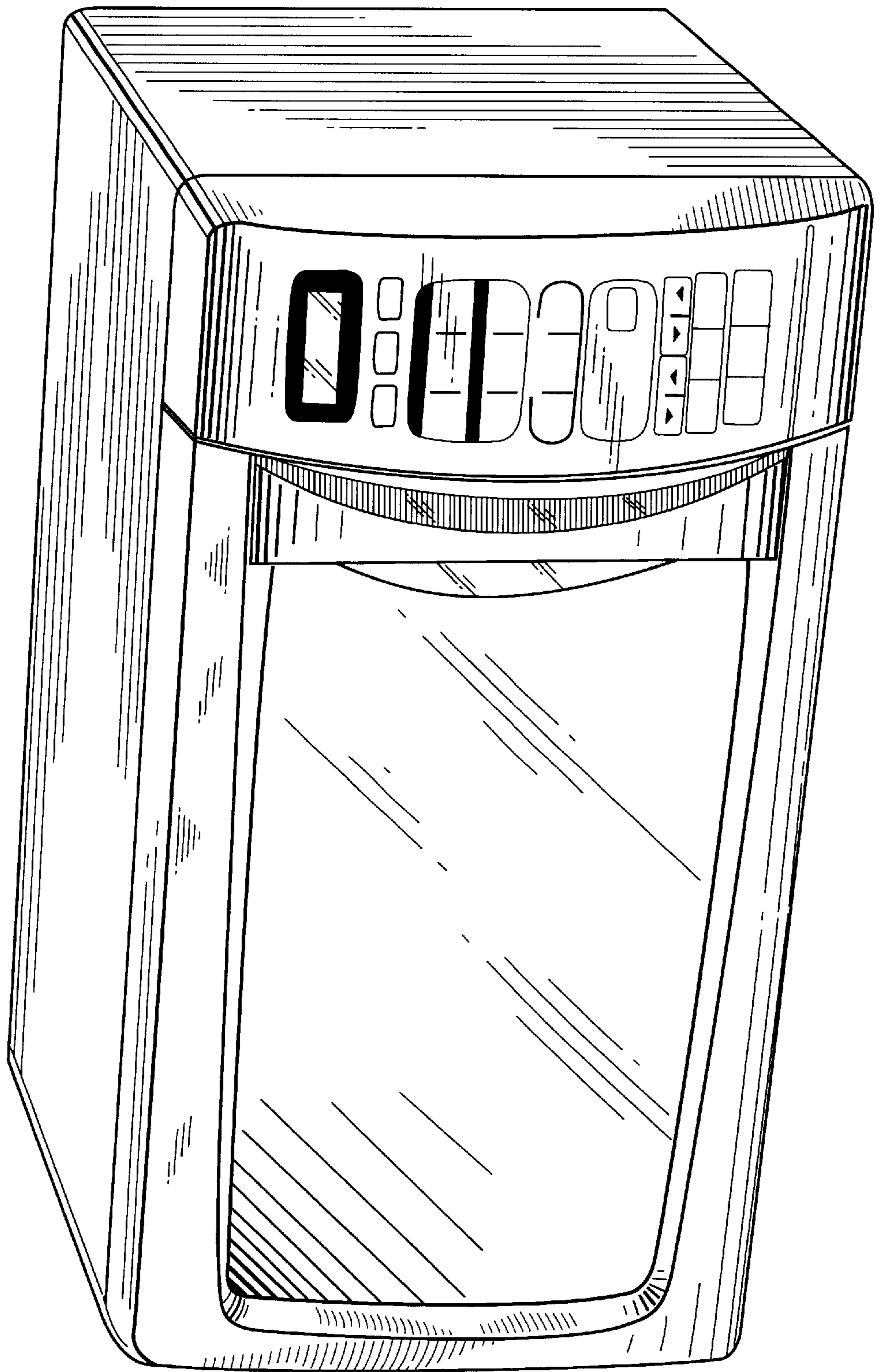


FIG. 1

FIG. 2



FIG. 3

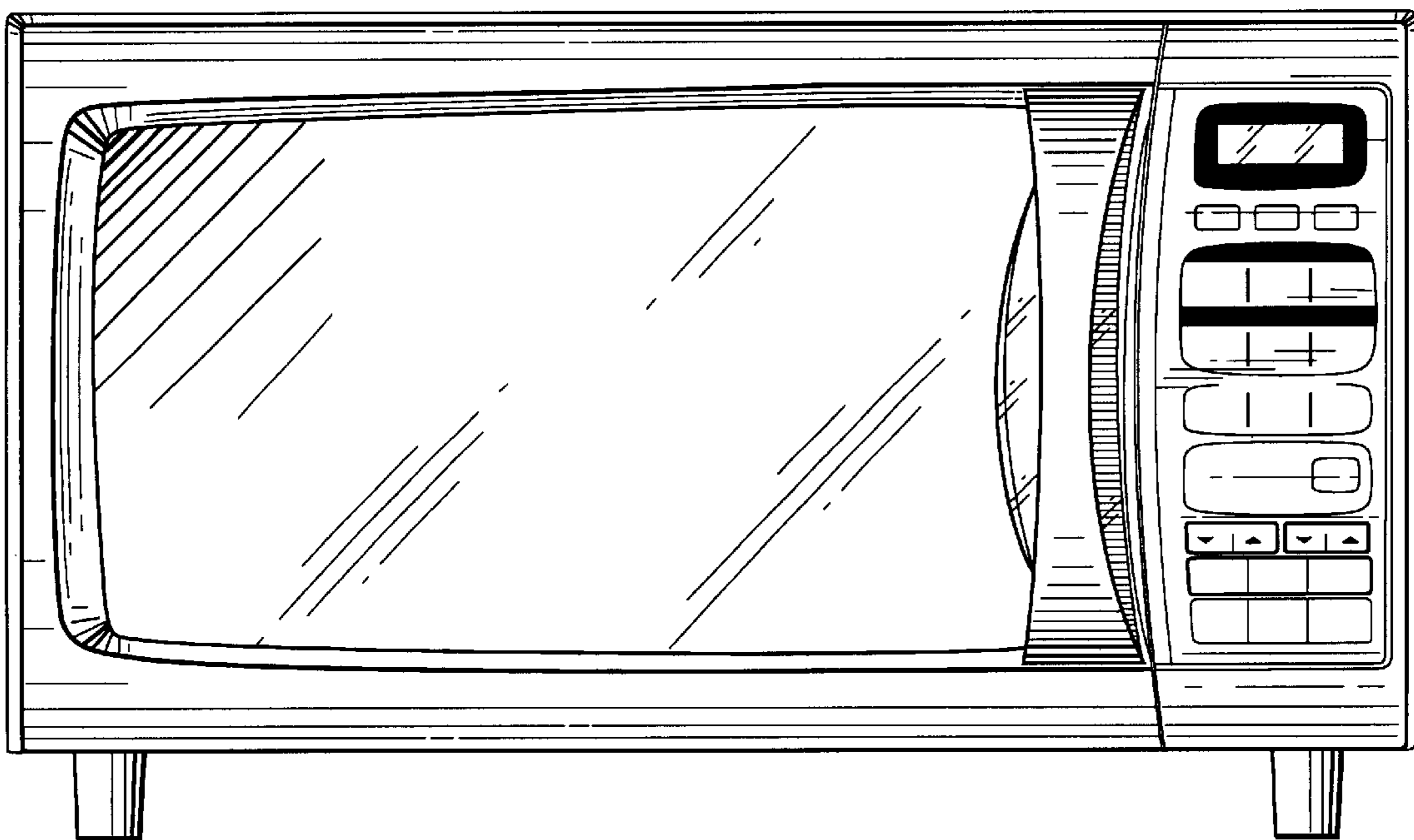


FIG. 4

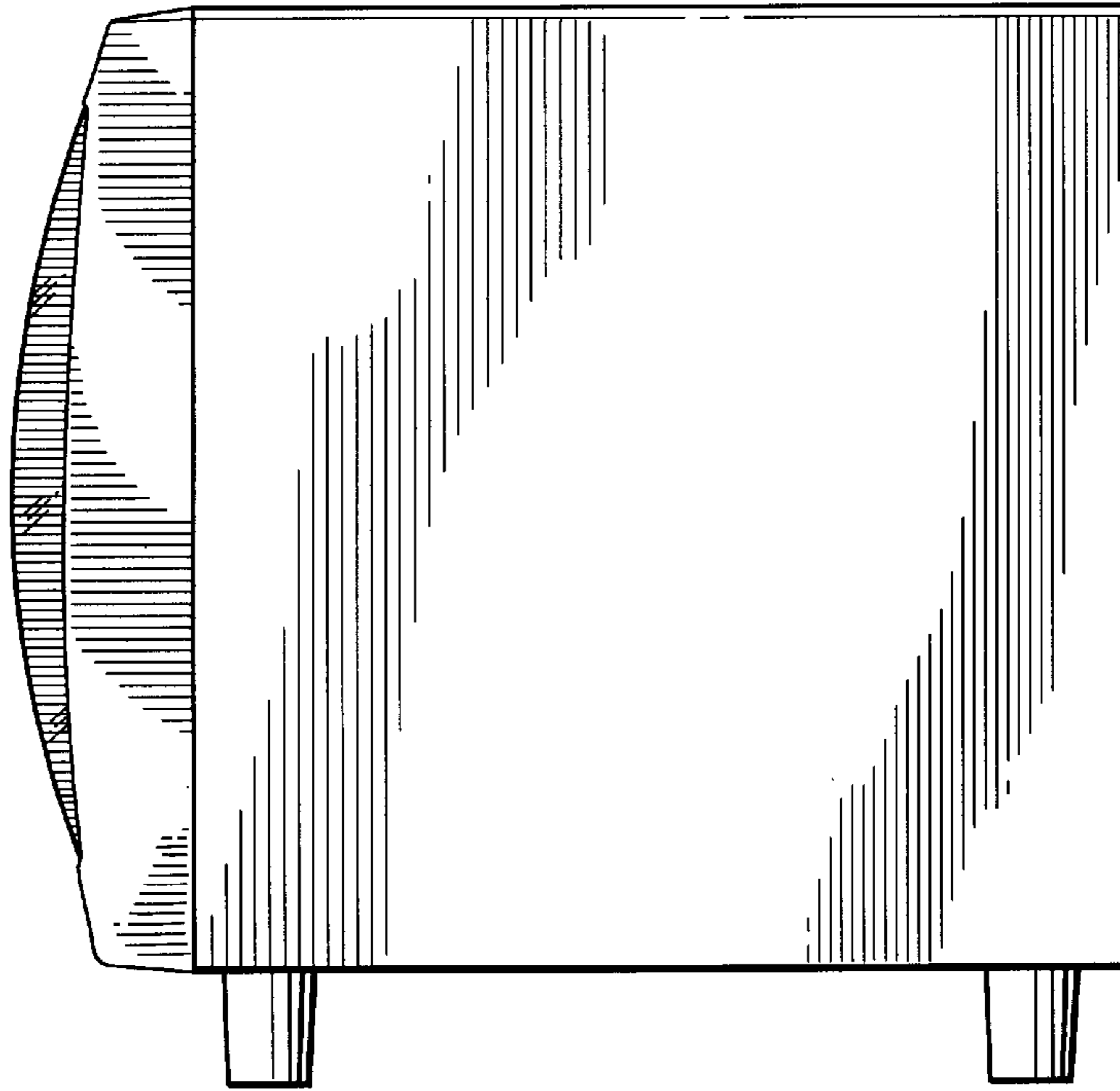


FIG. 5

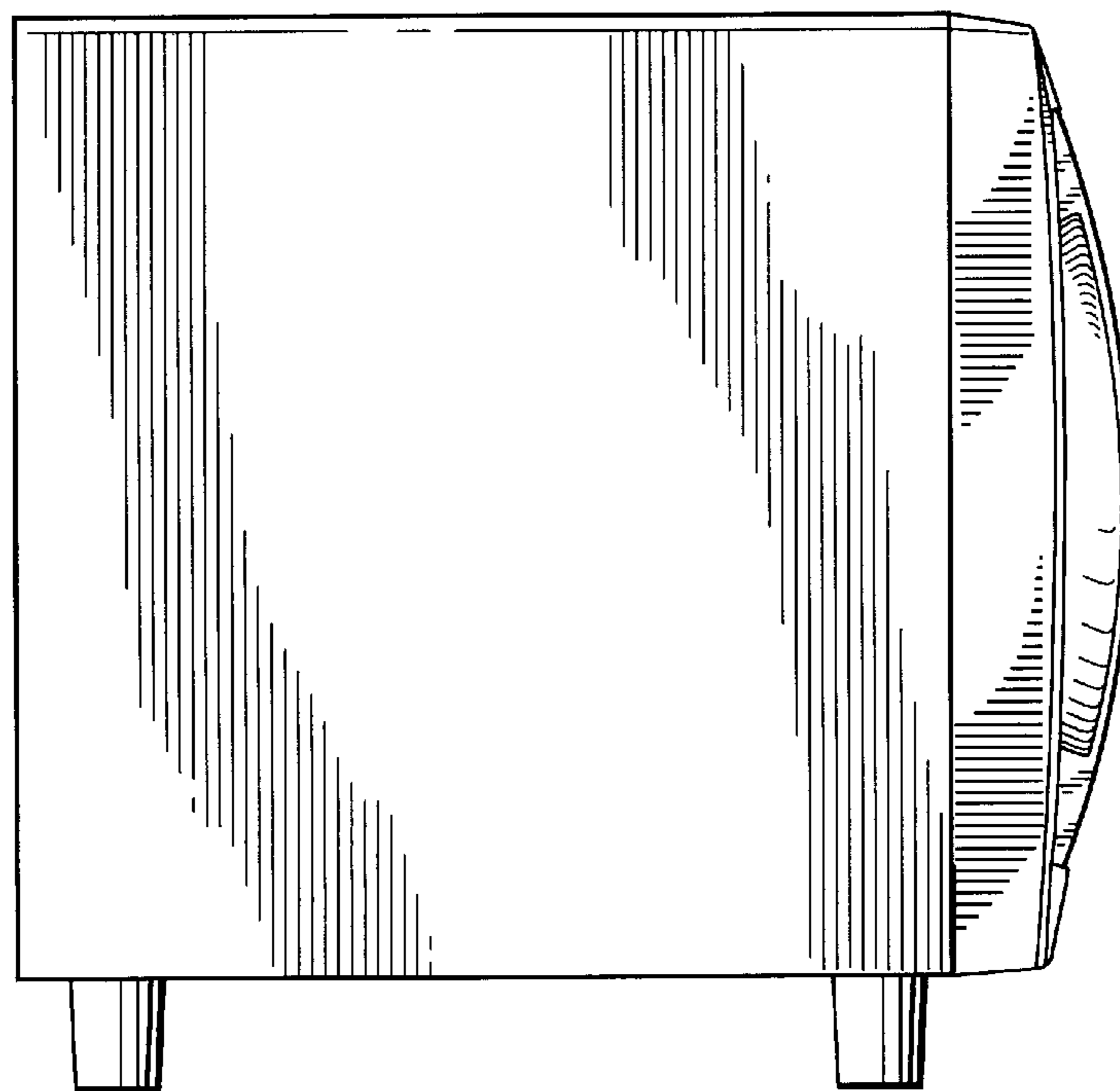


FIG. 6

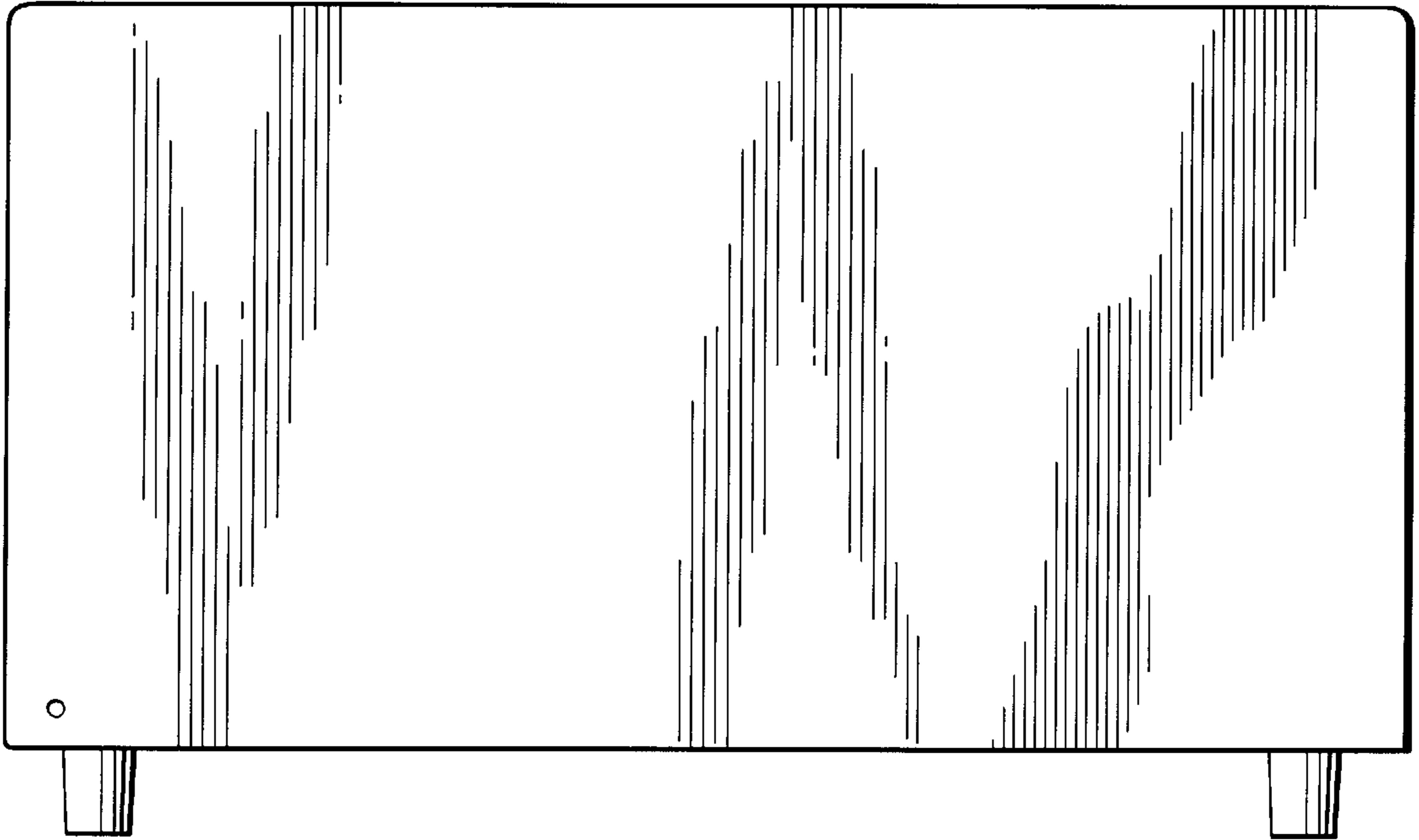


FIG. 7

