



US00D451752B1

(12) **United States Design Patent**
Davis et al.

(10) **Patent No.: US D451,752 S**

(45) **Date of Patent: ** Dec. 11, 2001**

(54) **TOASTER OVEN**

(75) Inventors: **Gregg M. Davis**, Powell; **Jay F. Perkins**, Pickerington; **Paul E. Hsu**, Hilliard; **Peter A. Koloski**, Columbus, all of OH (US); **Martin Brady**, Chesterfield, VA (US); **Brandon Fountain**, Goochland, VA (US); **Nhiem Nguyen**, Henrico, VA (US)

(73) Assignee: **Hamilton Beach/Proctor Silex, Inc.**, Glen Allen, VA (US)

(**) Term: **14 Years**

(21) Appl. No.: **29/126,329**

(22) Filed: **Jul. 13, 2000**

(51) **LOC (7) Cl. 07-02**

(52) **U.S. Cl. D7/350.4**

(58) **Field of Search** D7/350.1, 350.2, D7/350.3, 350.4, 351, 402, 405, 323; 126/273 R, 273 A, 275 R, 275 E, 19 M, 21 A; 219/678, 680, 756-758

D. 348,178	6/1994	Munari .	
D. 367,584	3/1996	Koch .	
D. 380,643	* 7/1997	Piret	D7/350
D. 381,861	* 8/1997	Rorke et al.	D7/350
D. 384,552	10/1997	Baumgarten .	
D. 385,456	10/1997	Wang .	
D. 386,938	* 12/1997	Piret	D7/350
D. 387,609	12/1997	Noda et al. .	
D. 391,444	3/1998	Munari .	
D. 393,395	4/1998	Tanaka et al. .	
D. 406,721	3/1999	Schubert-Belle et al. .	
D. 410,814	6/1999	Koike .	
D. 412,637	8/1999	Piret .	
D. 415,926	* 11/1999	De'Longhi	D7/350
D. 420,245	* 2/2000	De'Longhi	D7/351

* cited by examiner

Primary Examiner—Ruth McInroy

(74) *Attorney, Agent, or Firm*—Akin, Gump, Strauss, Hauer & Feld, L.L.P.

(57) **CLAIM**

The ornamental design for a toaster oven, as shown and described.

DESCRIPTION

FIG. 1 is a perspective view of a preferred embodiment of the toaster oven.

FIG. 2 is a front end view of the toaster oven shown in FIG. 1.

FIG. 3 is a rear end view of the toaster oven shown in FIG. 1.

FIG. 4 is a right side view of the toaster oven shown in FIG. 1.

FIG. 5 is a left side view of the toaster oven shown in FIG. 1.

FIG. 6 is a top plan view of the toaster oven shown in FIG. 1.

FIG. 7 is a bottom plan view of the toaster oven shown in FIG. 1.

FIG. 8 is a perspective view of another preferred embodiment of the toaster oven.

FIG. 9 is a front end view of the toaster oven shown in FIG. 8.

(56) **References Cited**

U.S. PATENT DOCUMENTS

D. 245,470	8/1977	Ernest .	
D. 266,642	10/1982	Harada et al. .	
D. 267,923	2/1983	Haruguchi et al. .	
D. 269,149	5/1983	Miyake et al. .	
D. 276,122	10/1984	Tanaka et al. .	
D. 286,003	10/1986	Viancin .	
D. 297,296	8/1988	Feil et al. .	
D. 300,711	4/1989	Moritani .	
D. 301,428	6/1989	Viancin .	
D. 305,595	1/1990	Yoo .	
D. 305,596	1/1990	Nishibori .	
D. 305,599	1/1990	Yamada et al. .	
D. 309,078	* 7/1990	Kokubo	D7/351
D. 312,553	12/1990	Komar .	
D. 318,396	7/1991	Jung .	
D. 329,779	9/1992	Piret .	
D. 336,814	* 6/1993	Brookshire	D7/350
D. 344,430	2/1994	Raoult .	

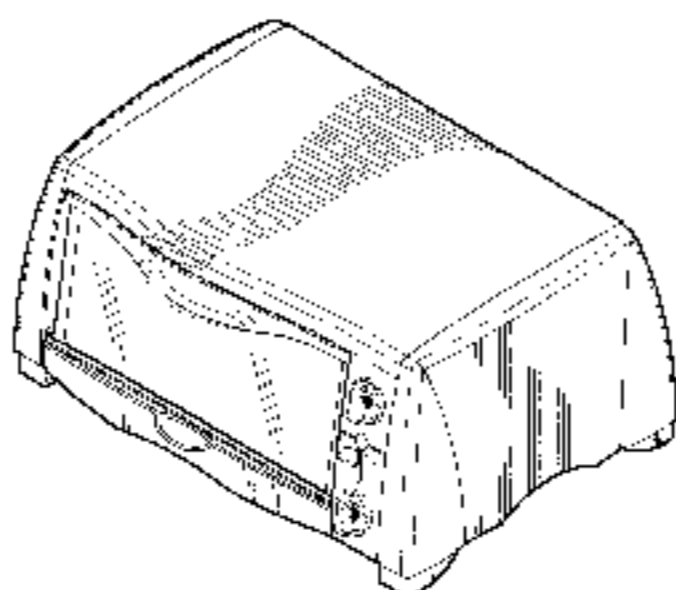
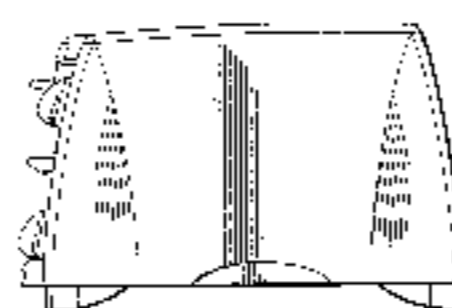
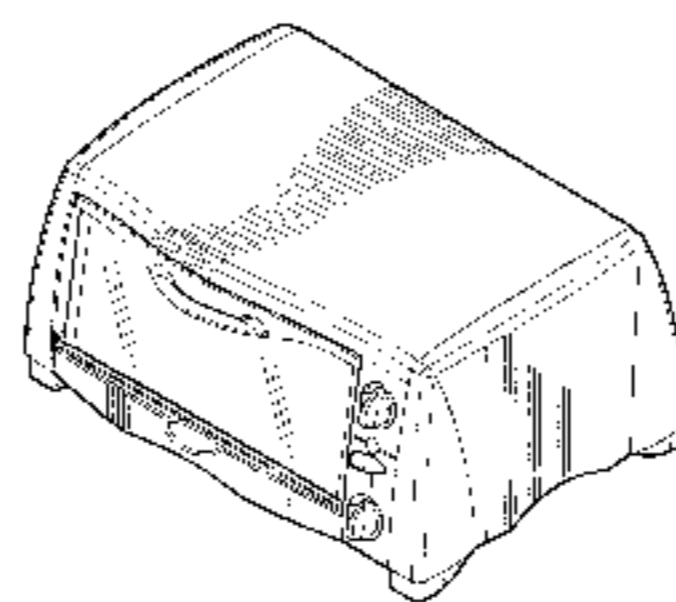


FIG. **10** is a rear end view of the toaster oven shown in FIG. **8**.

FIG. **11** is a right side view of the toaster oven shown in FIG. **8**.

FIG. **12** is a left side view of the toaster oven shown in FIG. **8**.

FIG. **13** is a top plan view of the toaster oven shown in FIG. **8**; and,

FIG. **14** is a bottom plan view of the toaster oven shown in FIG. **8**.

1 Claim, 8 Drawing Sheets

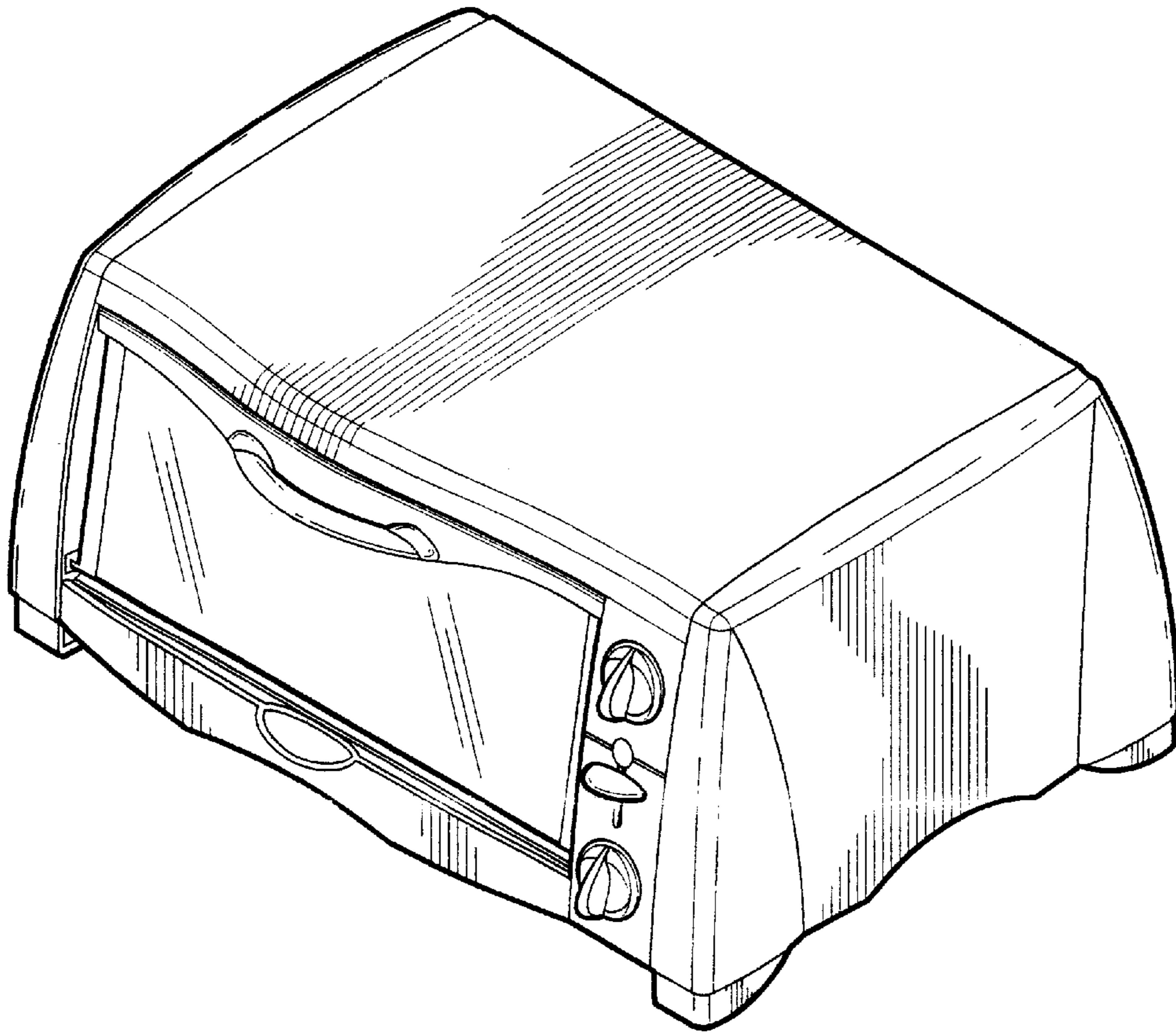


Fig. 1

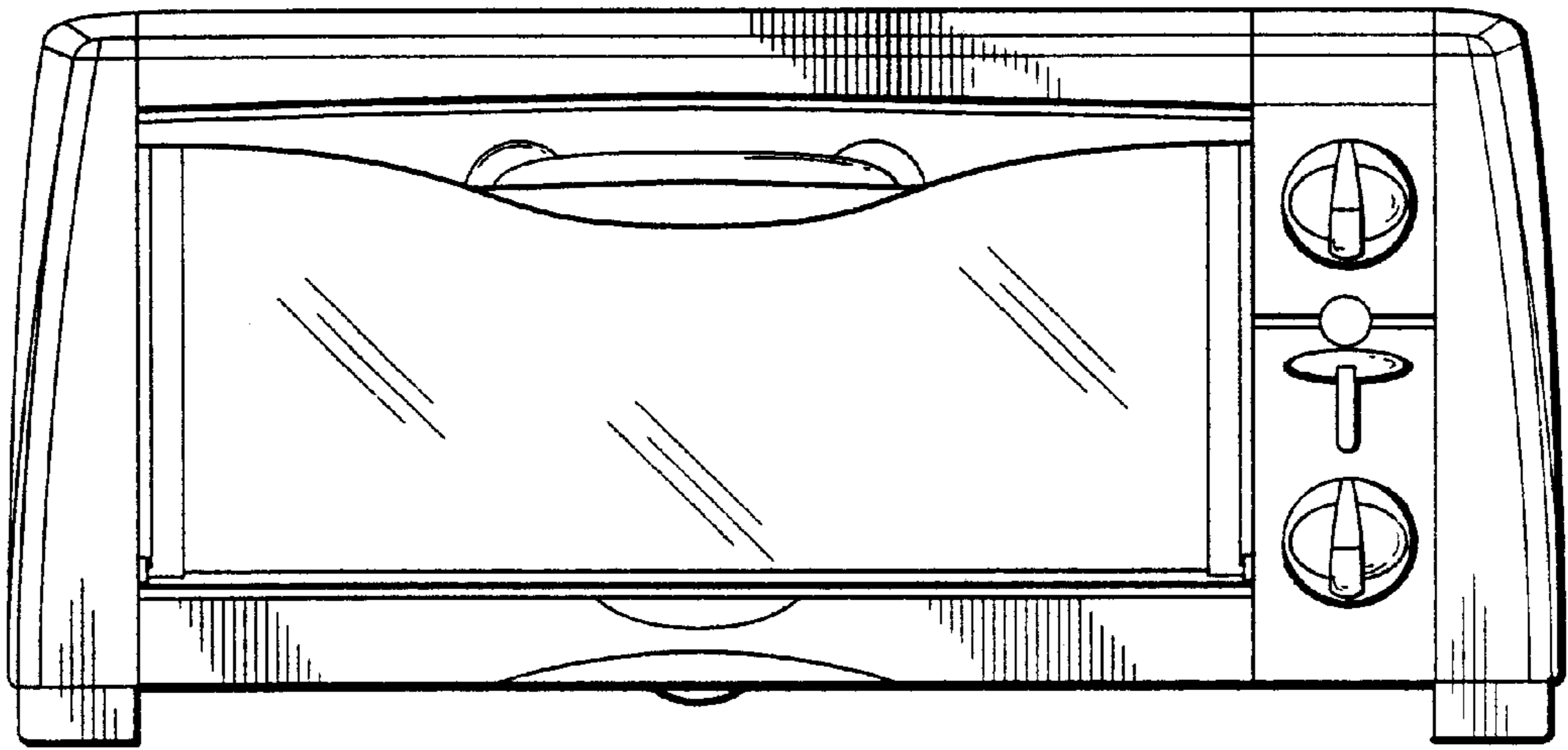


Fig. 2

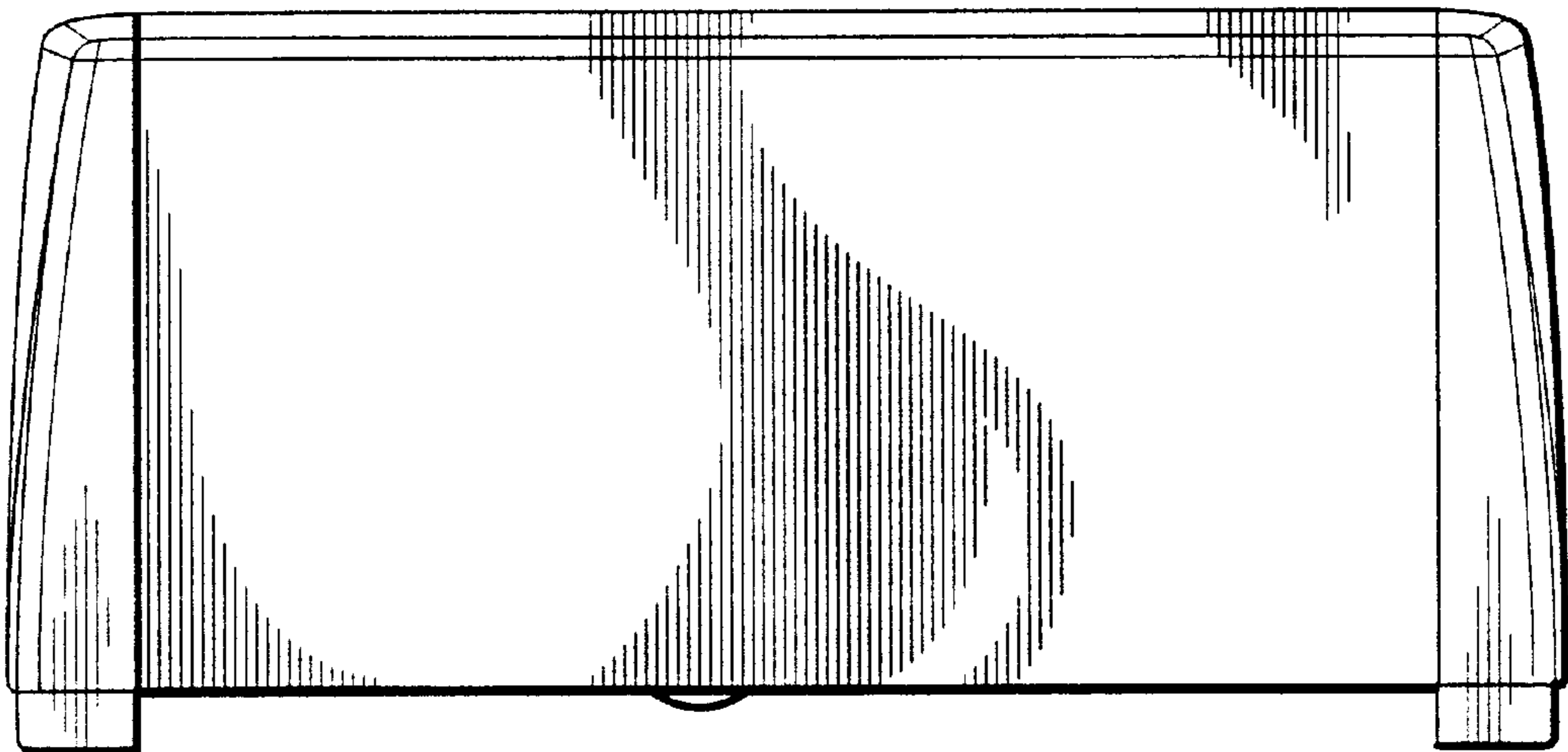


Fig. 3

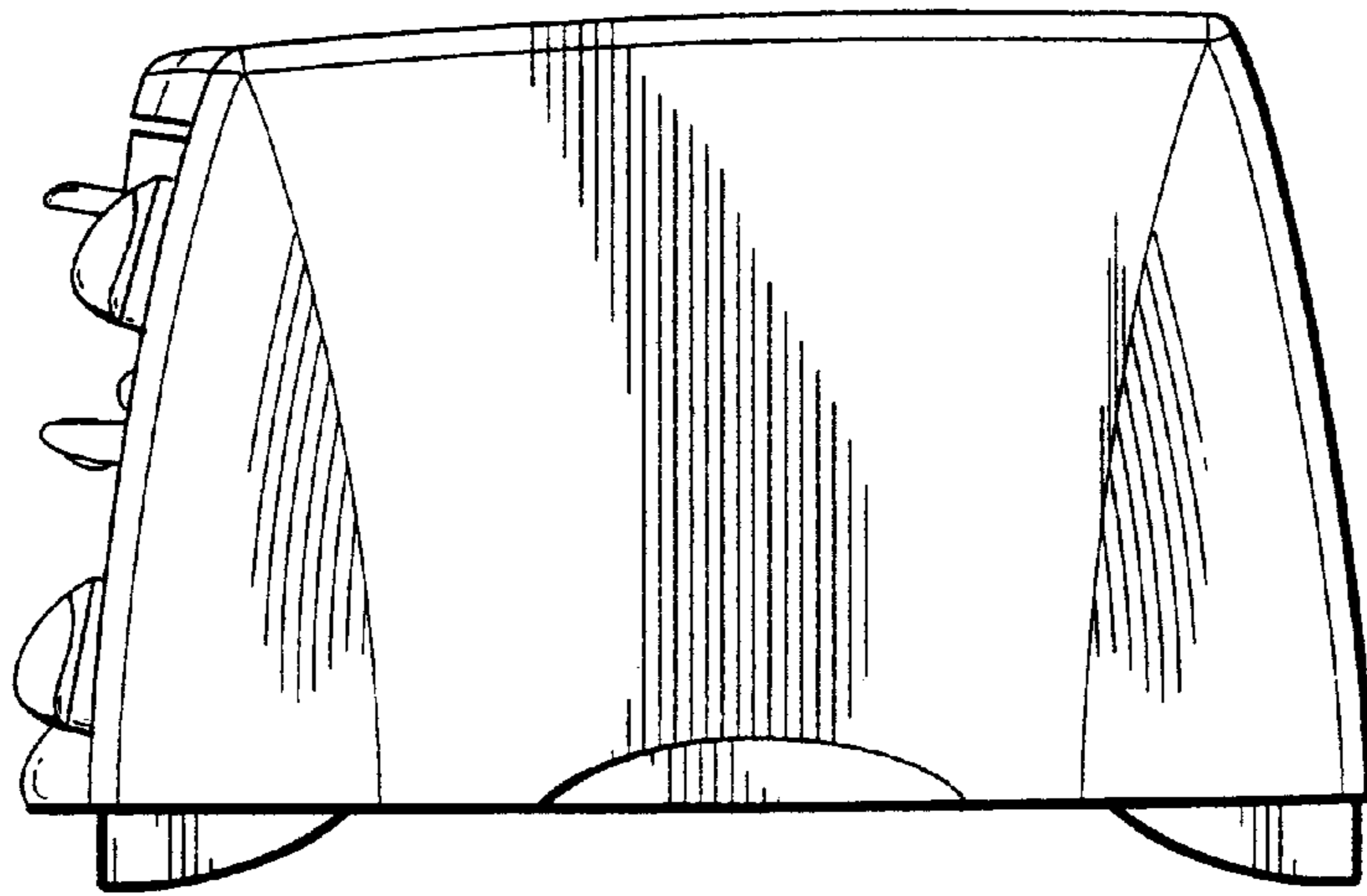


Fig. 4

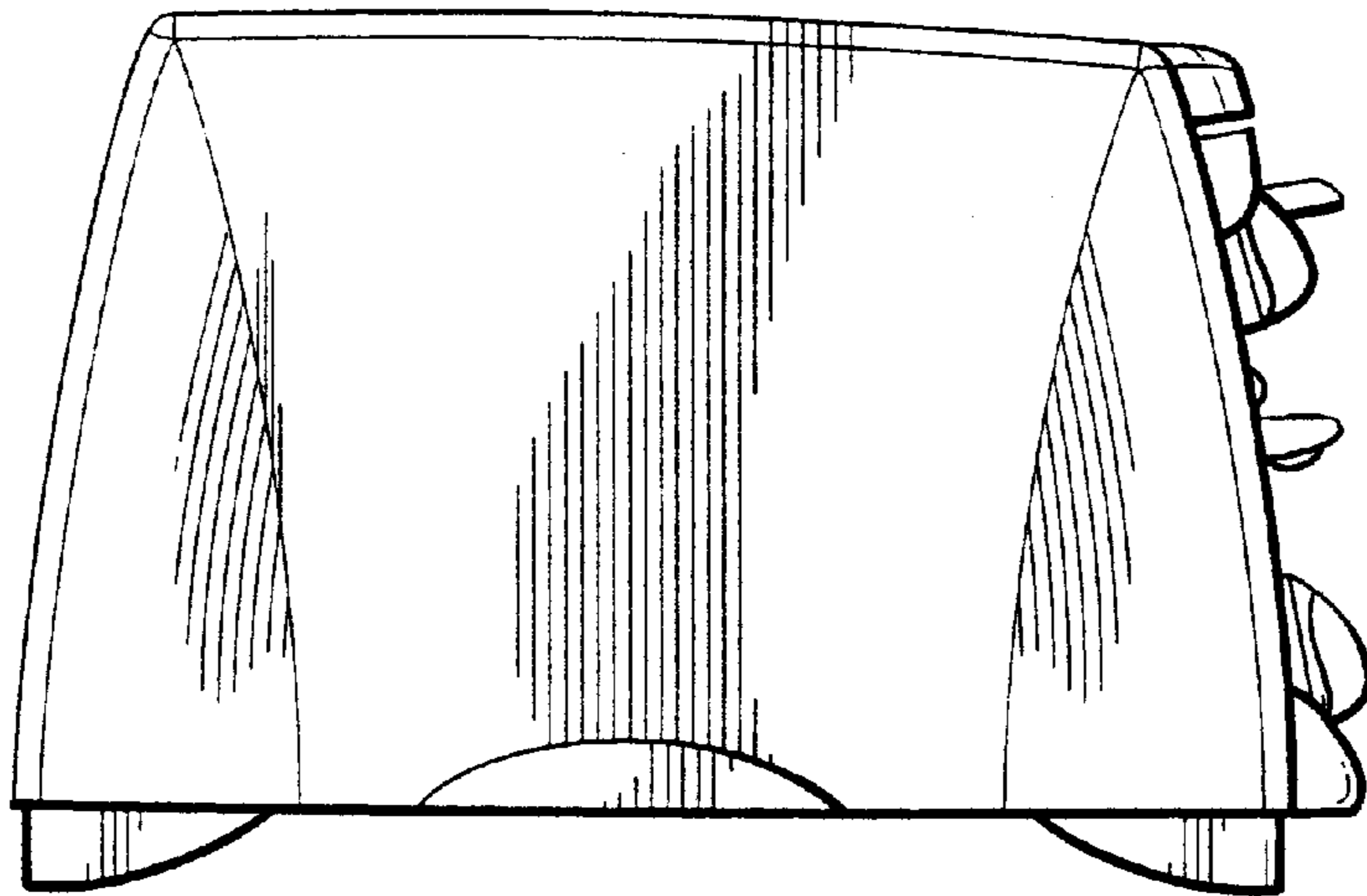


Fig. 5

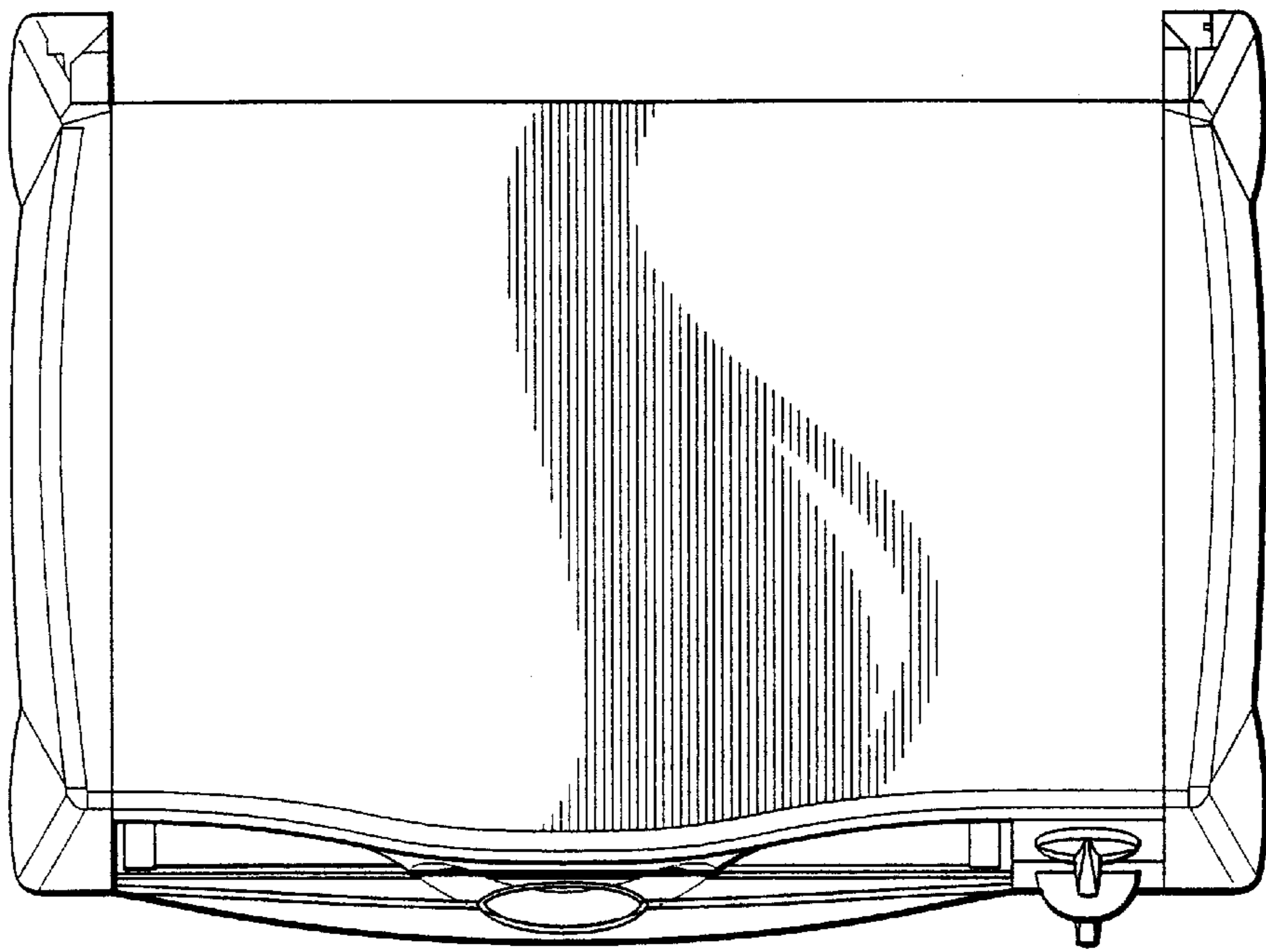


Fig. 6

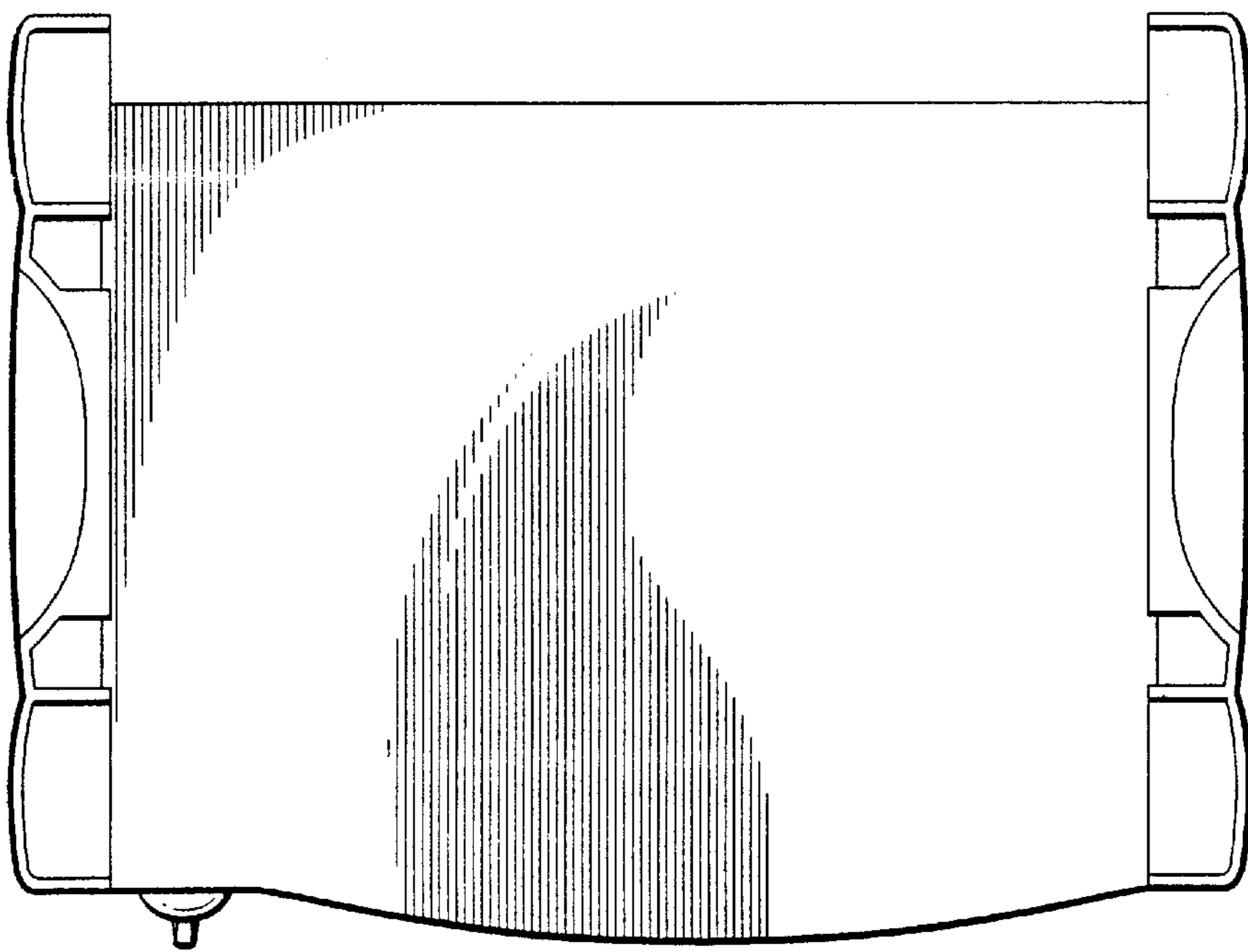


Fig. 7

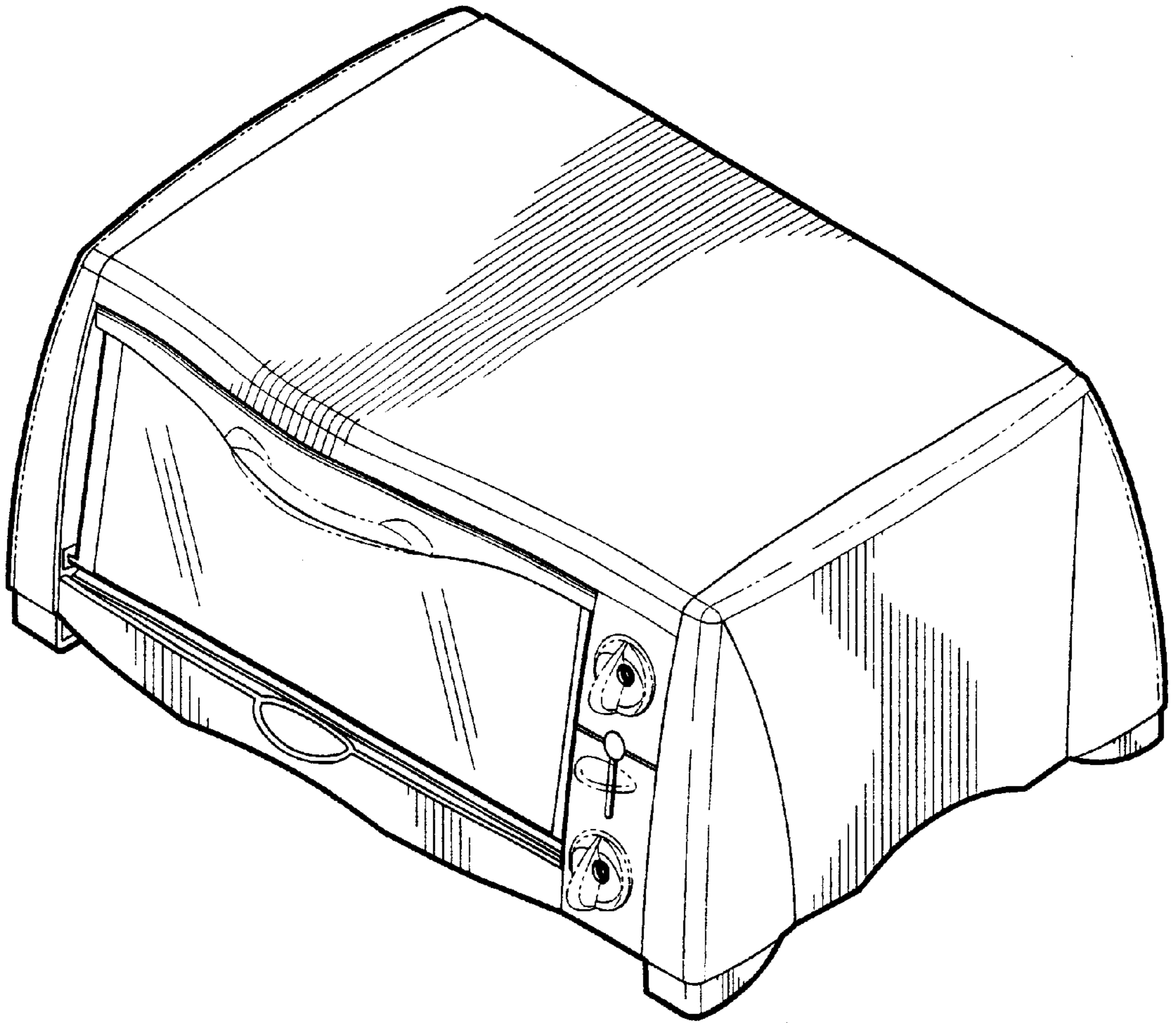


Fig. 8

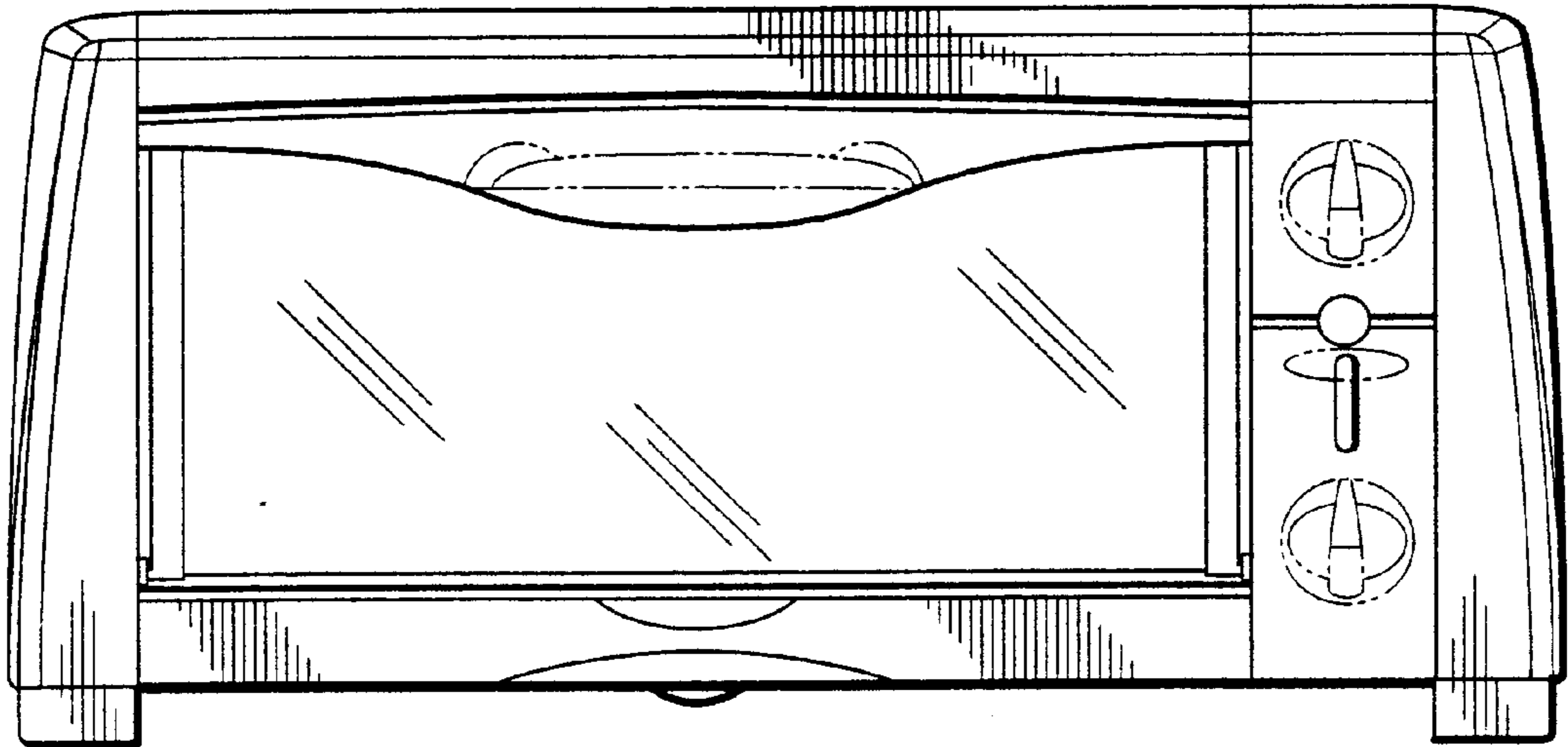


Fig. 9

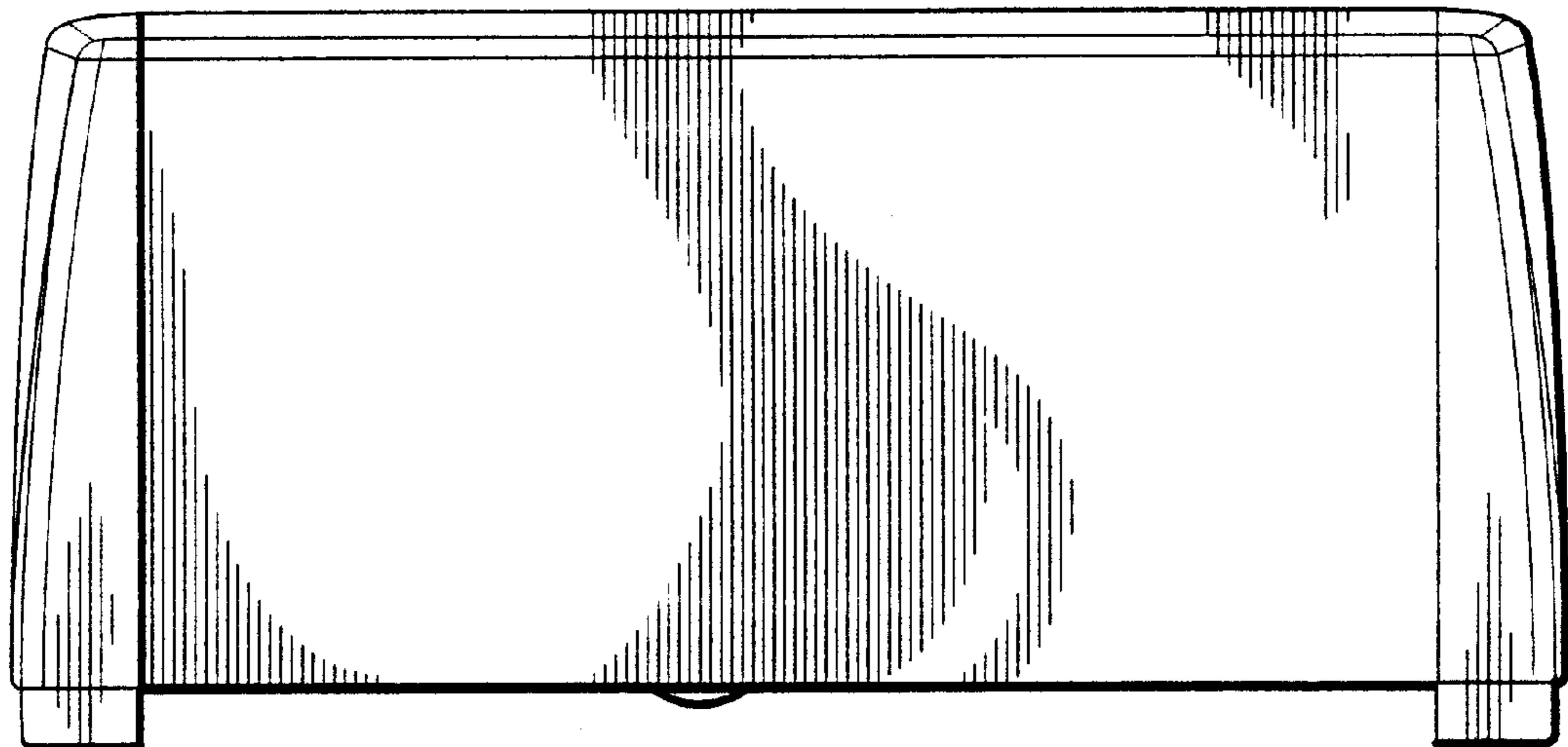


Fig. 10

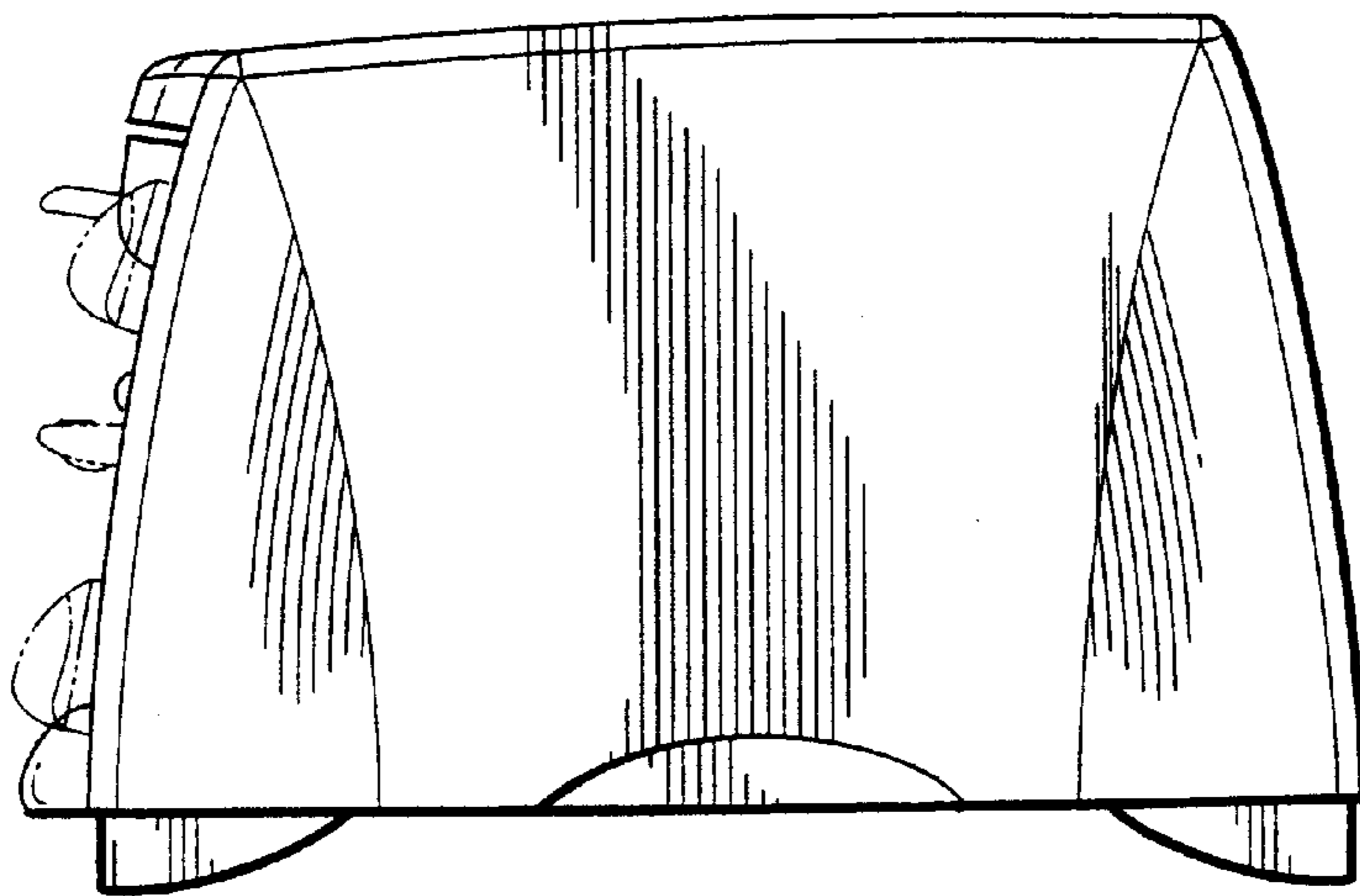


Fig. 11

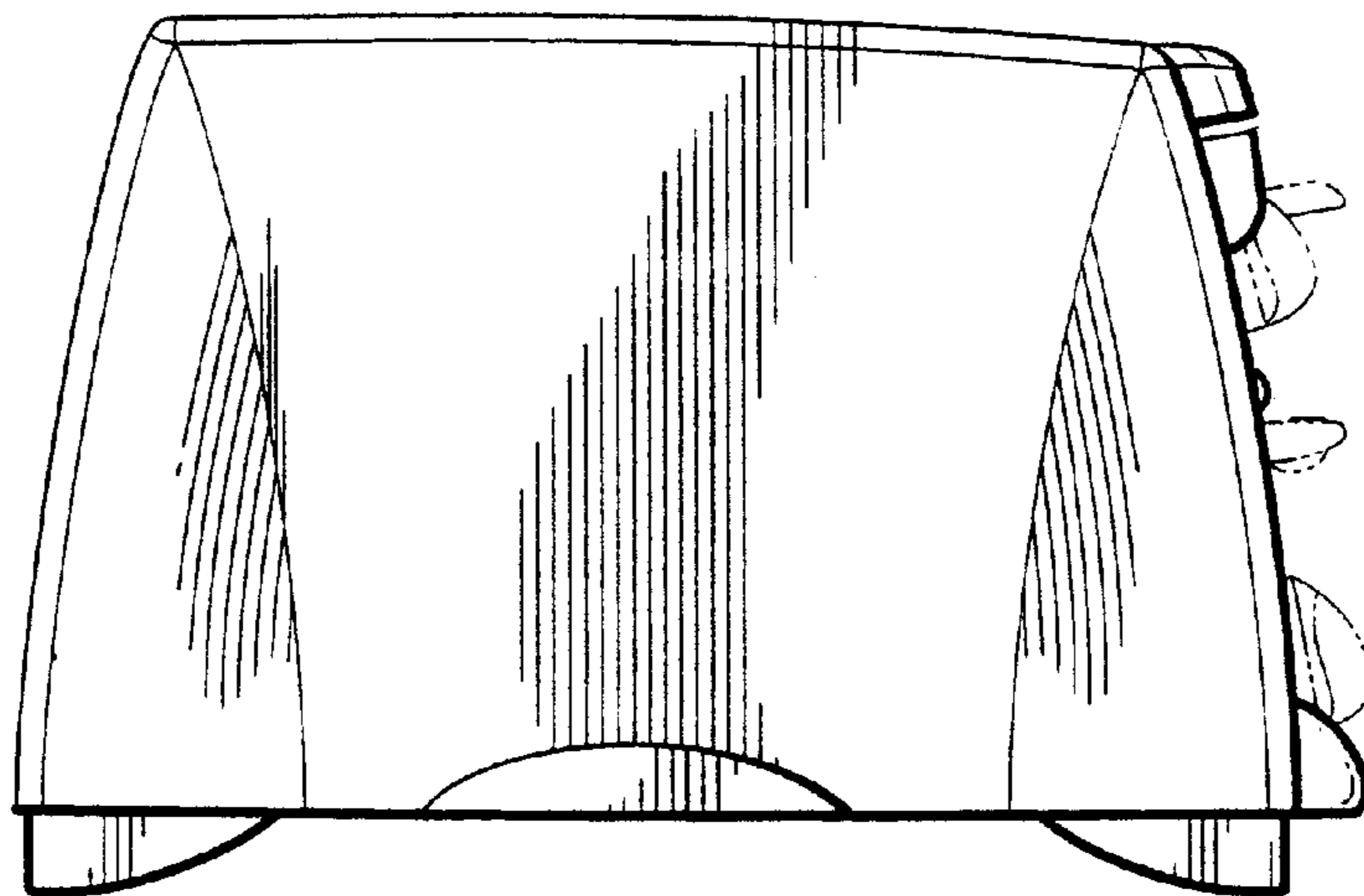


Fig. 12

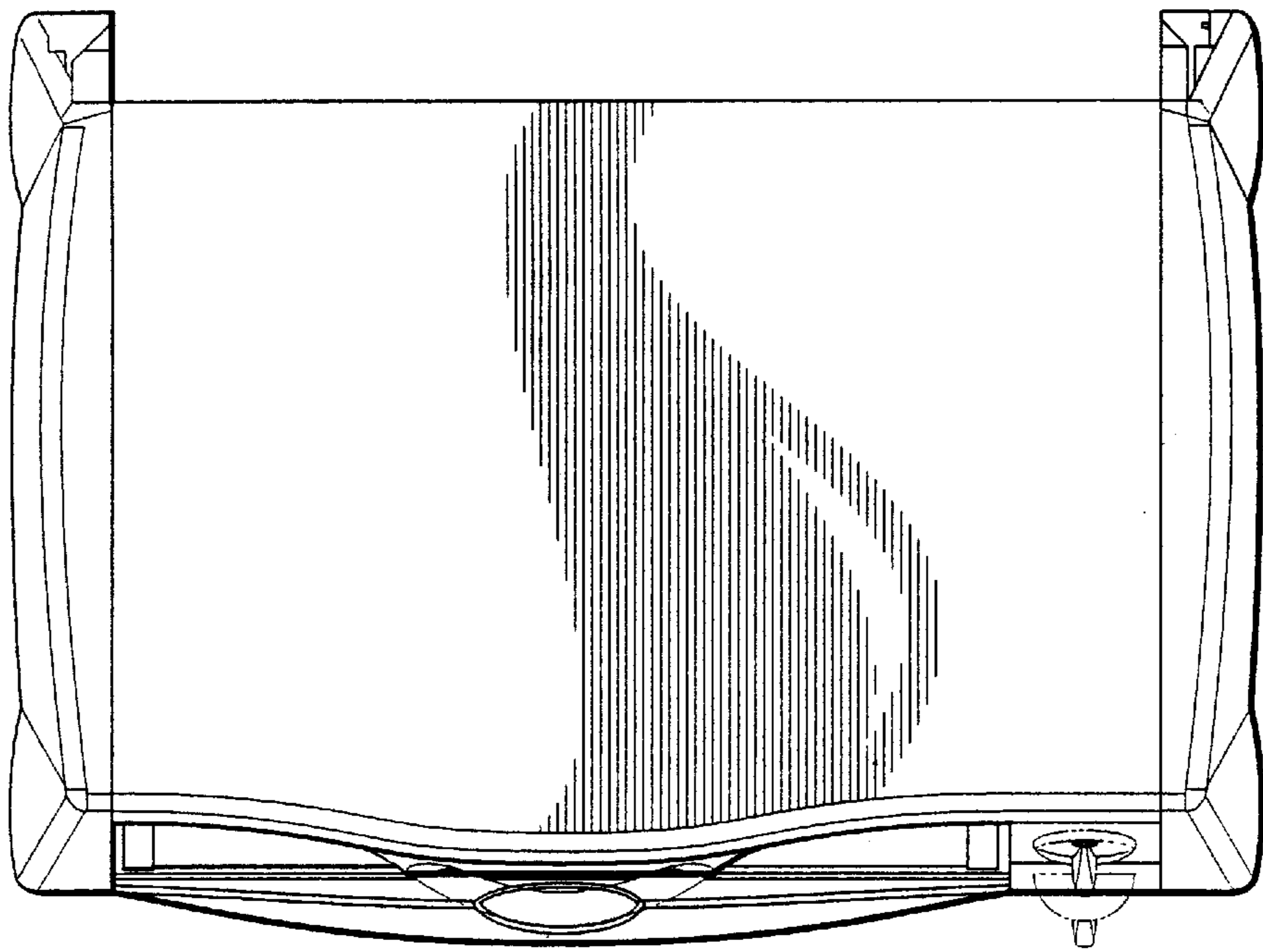


Fig. 13

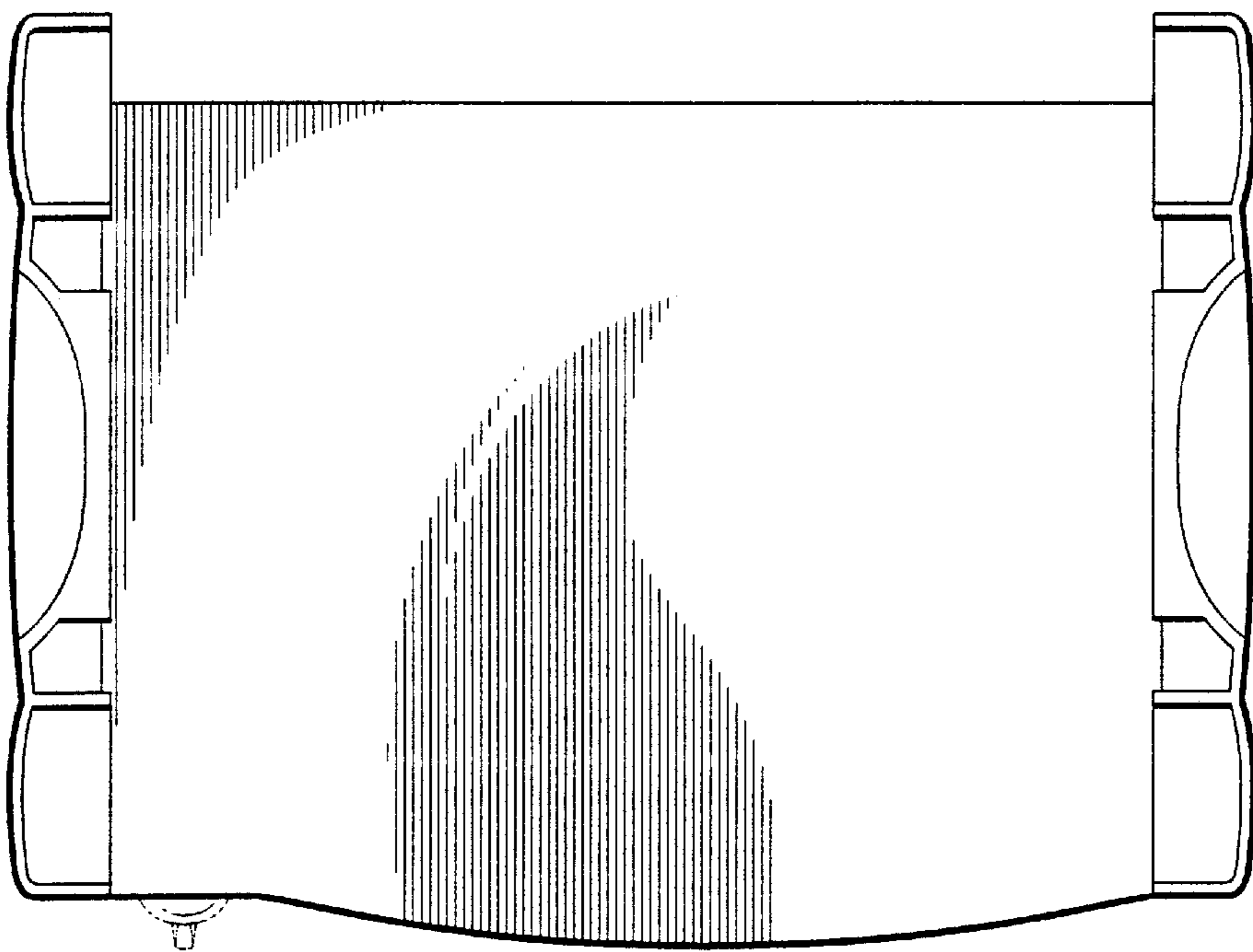


Fig. 14