



US00D451750B1

(12) **United States Design Patent**
Rissone et al.

(10) **Patent No.: US D451,750 S**

(45) **Date of Patent: ** Dec. 11, 2001**

(54) **COFFEE POT**

(75) Inventors: **Fausto Rissone; Ferruccio Vercellone,**
both of Vercelli; **Giovanni Gariglio,**
Buronzo, all of (IT)

(73) Assignee: **Oneida, Ltd.,** Oneida, NY (US)

(**) Term: **14 Years**

(21) Appl. No.: **29/126,201**

(22) Filed: **Jul. 11, 2000**

(51) **LOC (7) Cl. 07-01**

(52) **U.S. Cl. D7/319; D7/318; D7/317**

(58) **Field of Search D7/319, 318, 317,**
D7/316, 312, 300, 321, 322; 215/12.1,
6; 222/144.5; 99/275; D9/578, 307

(56) **References Cited**

U.S. PATENT DOCUMENTS

D. 199,041	*	9/1964	Kitterman	D9/307
D. 235,734	*	7/1975	Strand	D9/528
D. 276,584	*	12/1984	Zimmermann	D7/317
D. 281,386	*	11/1985	Zimmermann	D7/317
D. 286,254	*	10/1986	Zimmerman	D7/317
D. 288,654	*	3/1987	Nusse	D7/317

D. 291,859	*	9/1987	Zimmermann	D7/321
D. 293,538	*	1/1988	Zimmermann	D7/317
D. 297,900	*	10/1988	Huang	D7/317
D. 299,105	*	12/1988	Sun	D7/317
D. 302,925	*	8/1989	Zimmermann	D7/317
D. 322,005	*	12/1991	Cliff	D7/317
D. 328,546	*	8/1992	Unger	D7/317
D. 364,990	*	12/1995	Fonville	D7/317
D. 437,174	*	2/2001	Inoue	D7/319

* cited by examiner

Primary Examiner—M. N. Pandozzi

(74) *Attorney, Agent, or Firm*—Wall Marjama & Bilinski

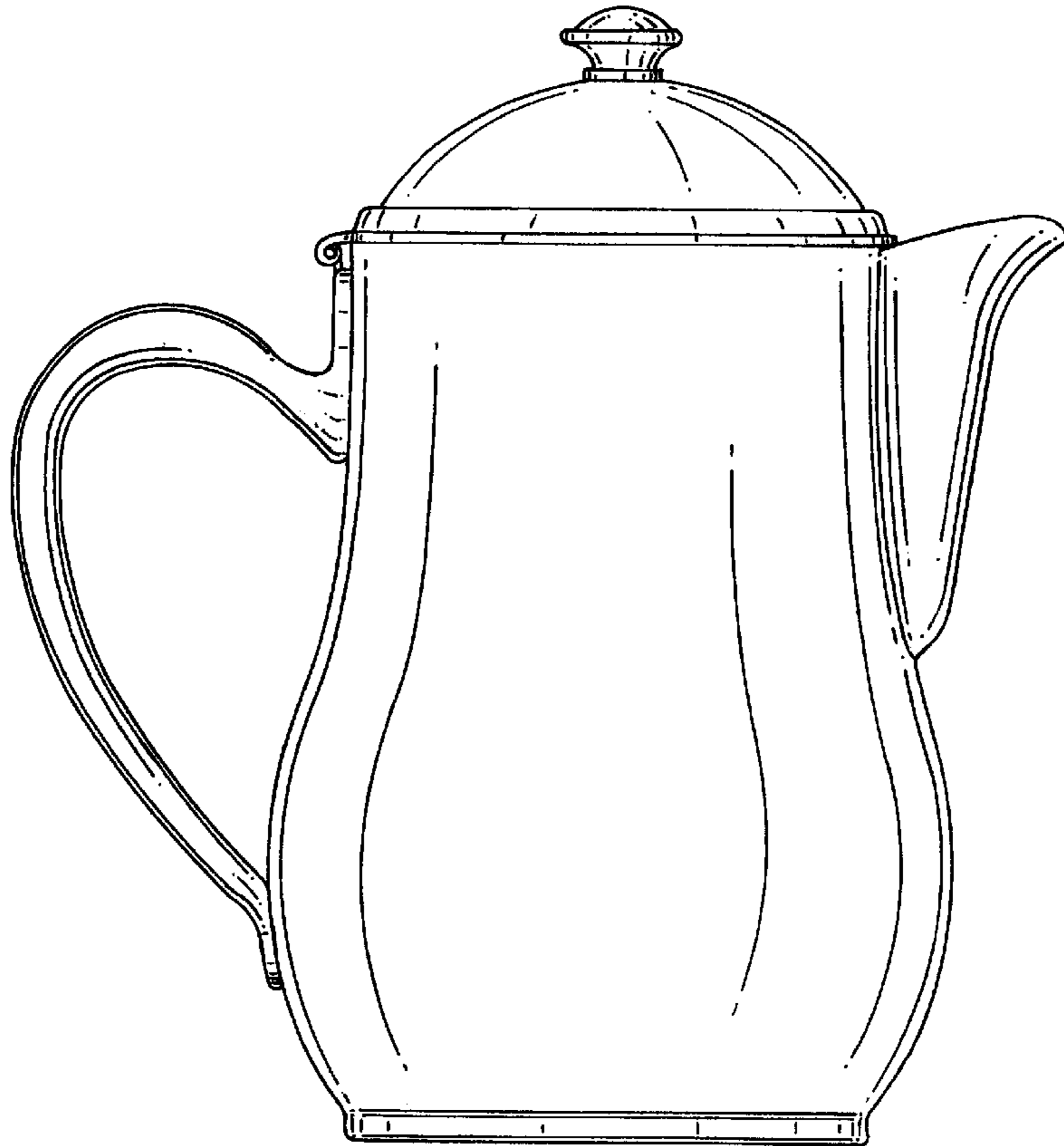
(57) **CLAIM**

The ornamental design for a coffee pot, as shown and described.

DESCRIPTION

FIG. 1 is a right side view illustrating my new Design, the left side view being a mirror image thereof;
FIG. 2 is a front view thereof;
FIG. 3 is a rear view thereof;
FIG. 4 is a top view thereof; and,
FIG. 5 is a bottom view thereof.

1 Claim, 2 Drawing Sheets



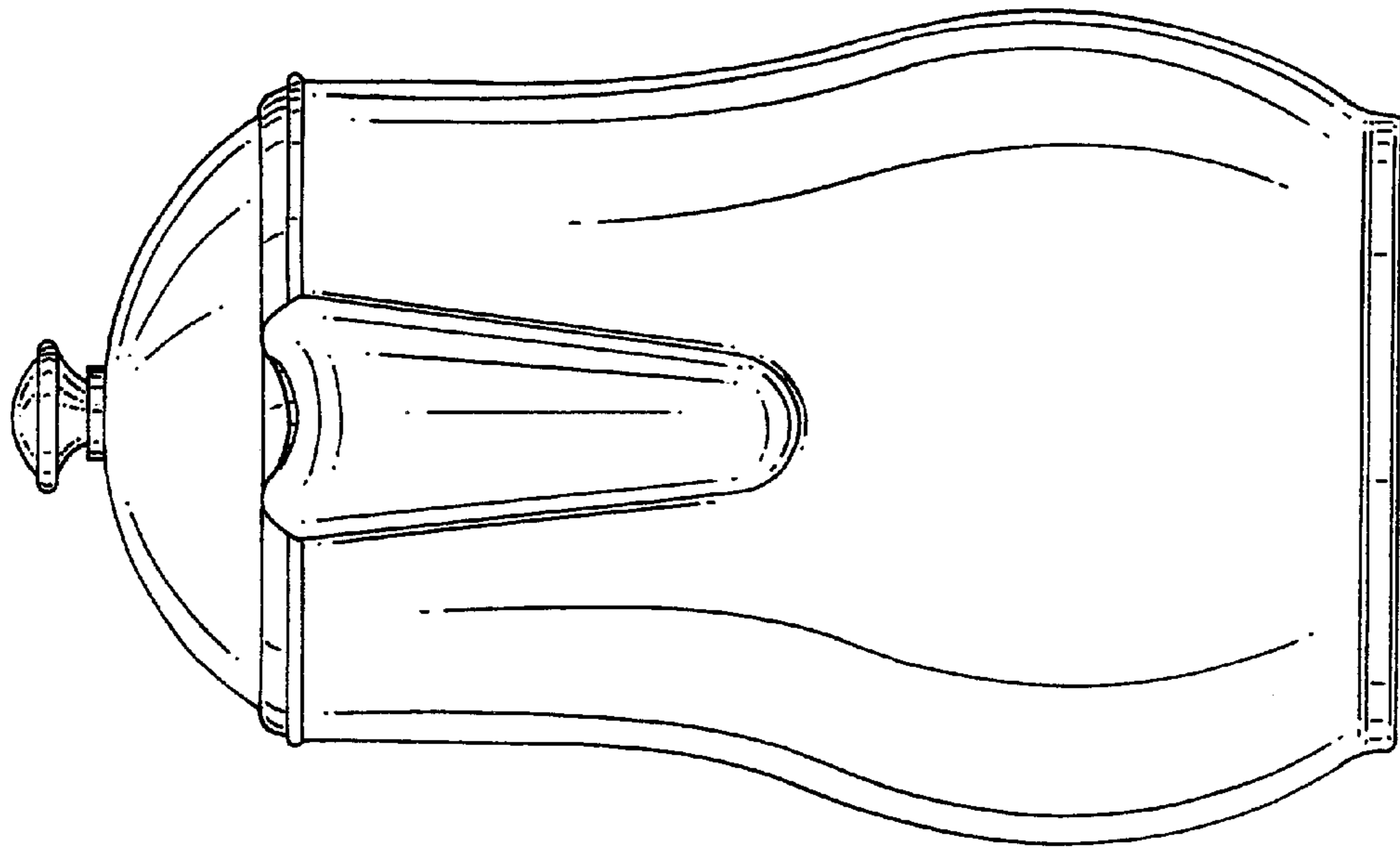


FIG. 2

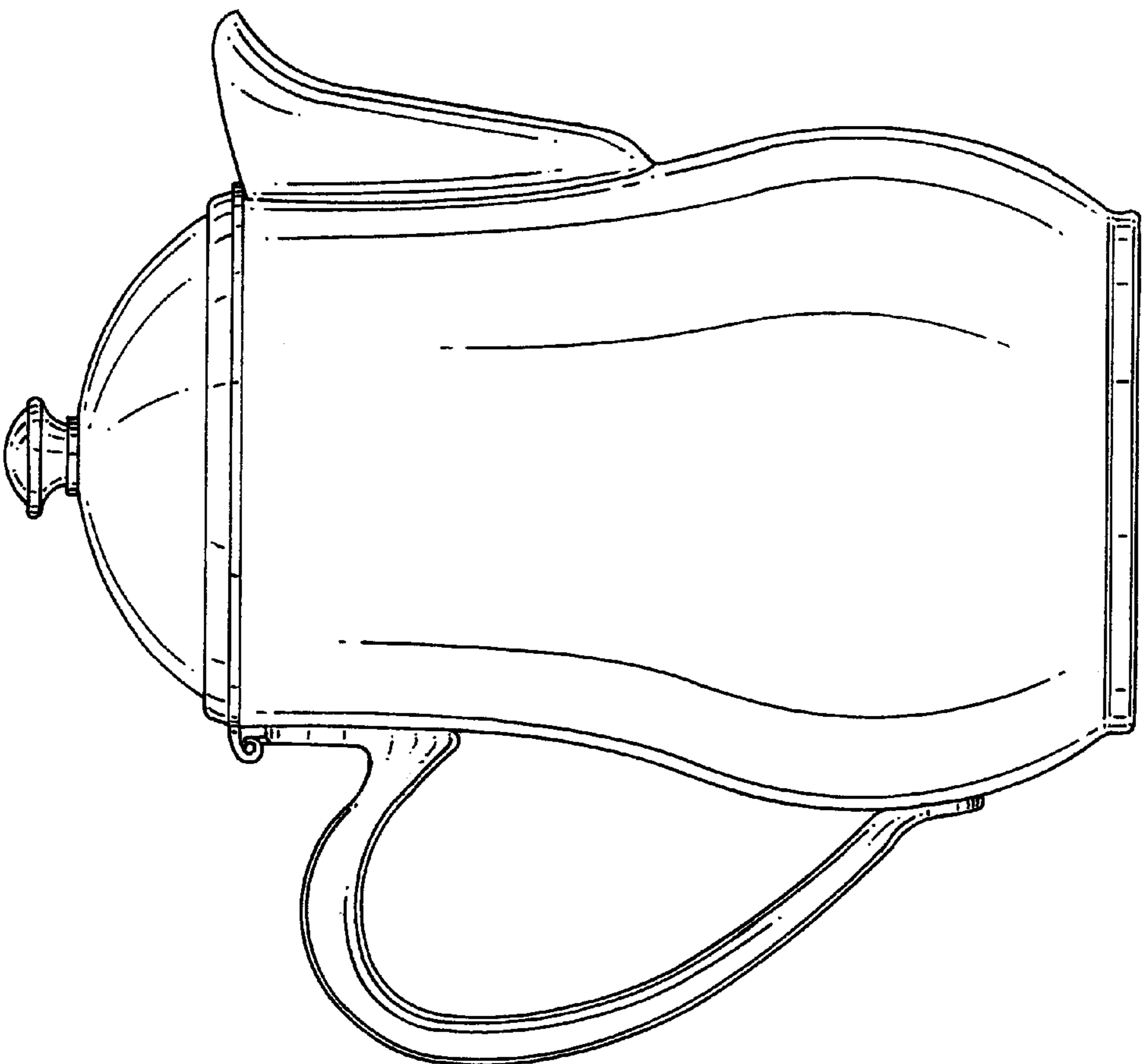


FIG. 1

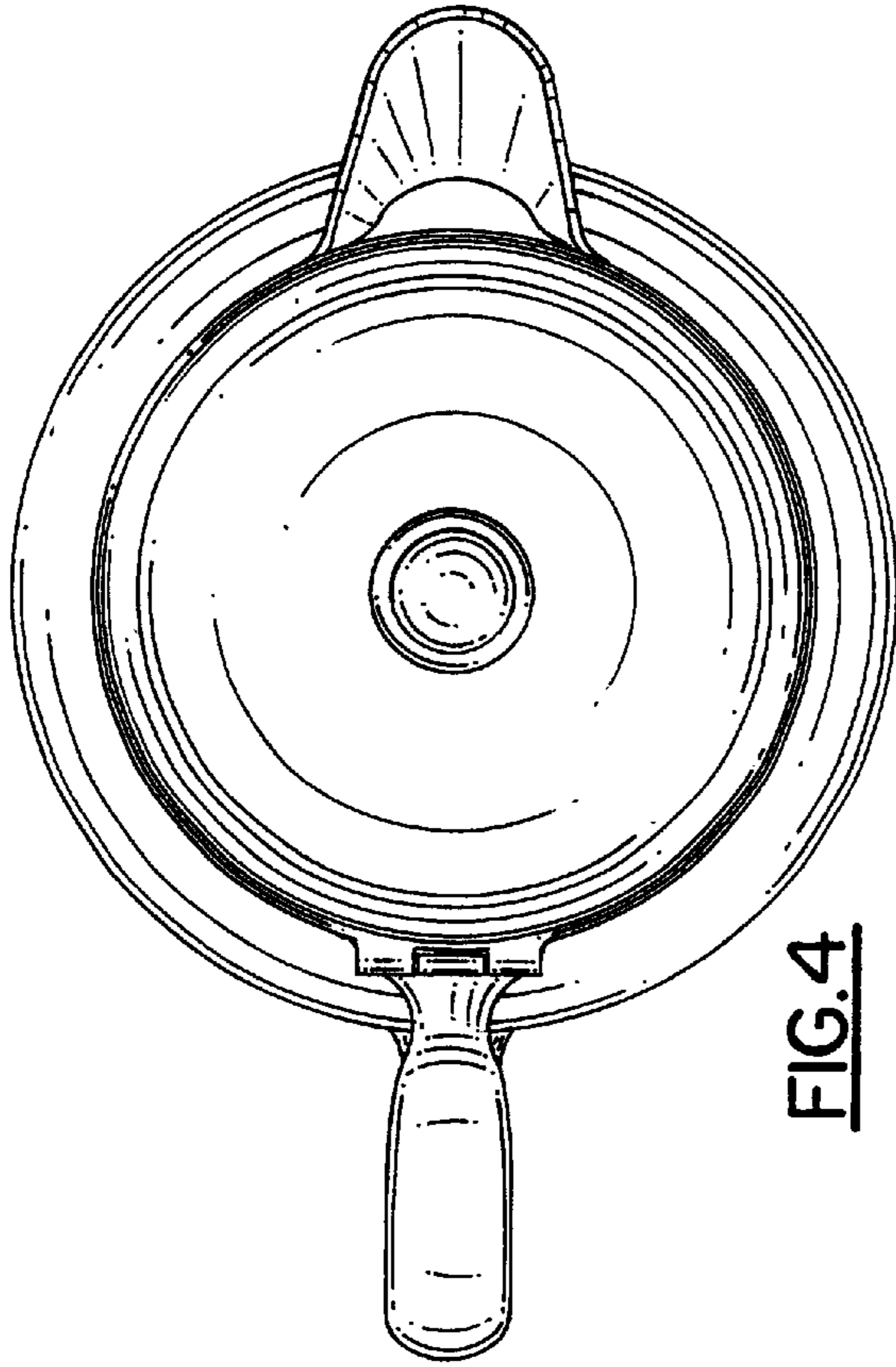


FIG. 4

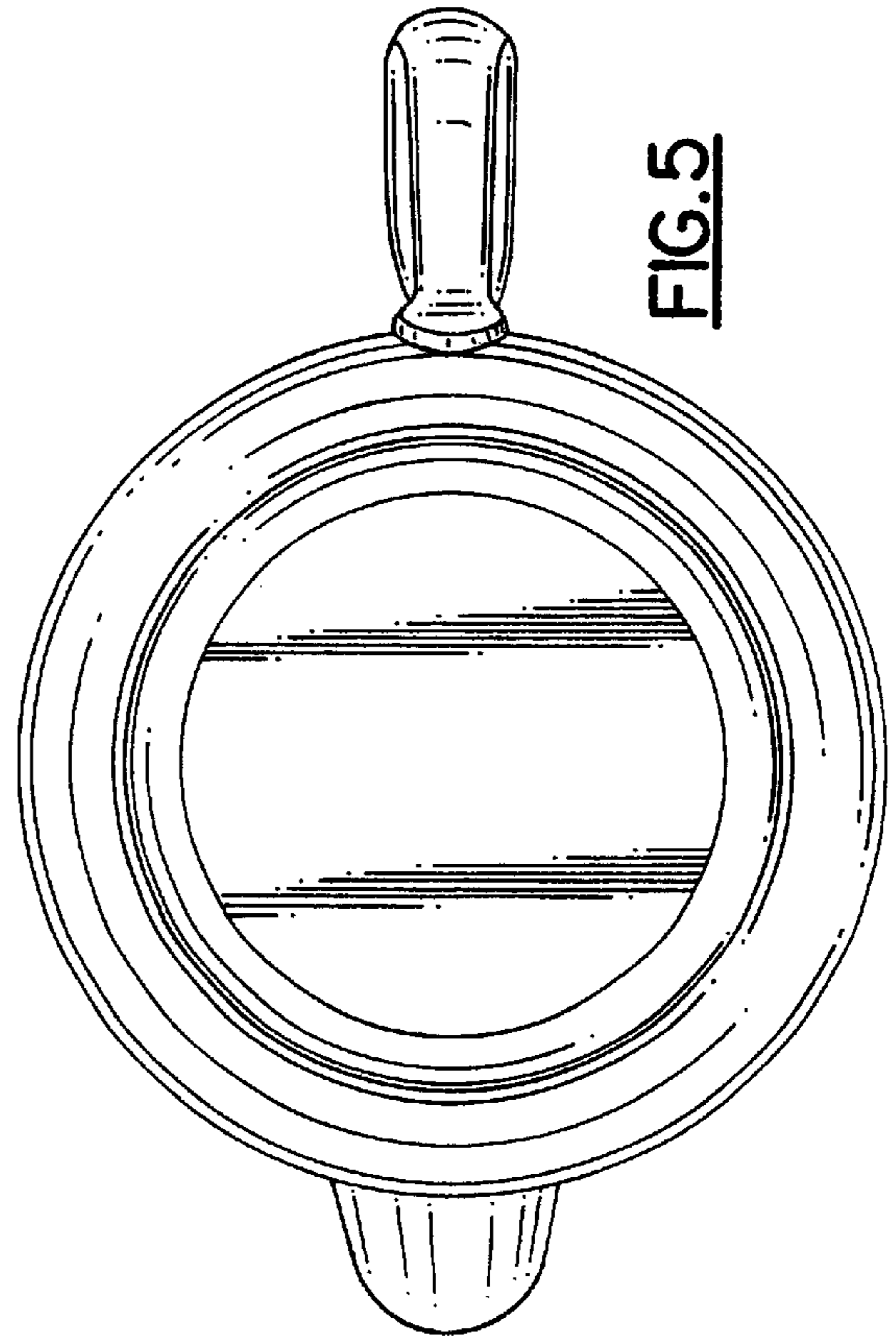


FIG. 5

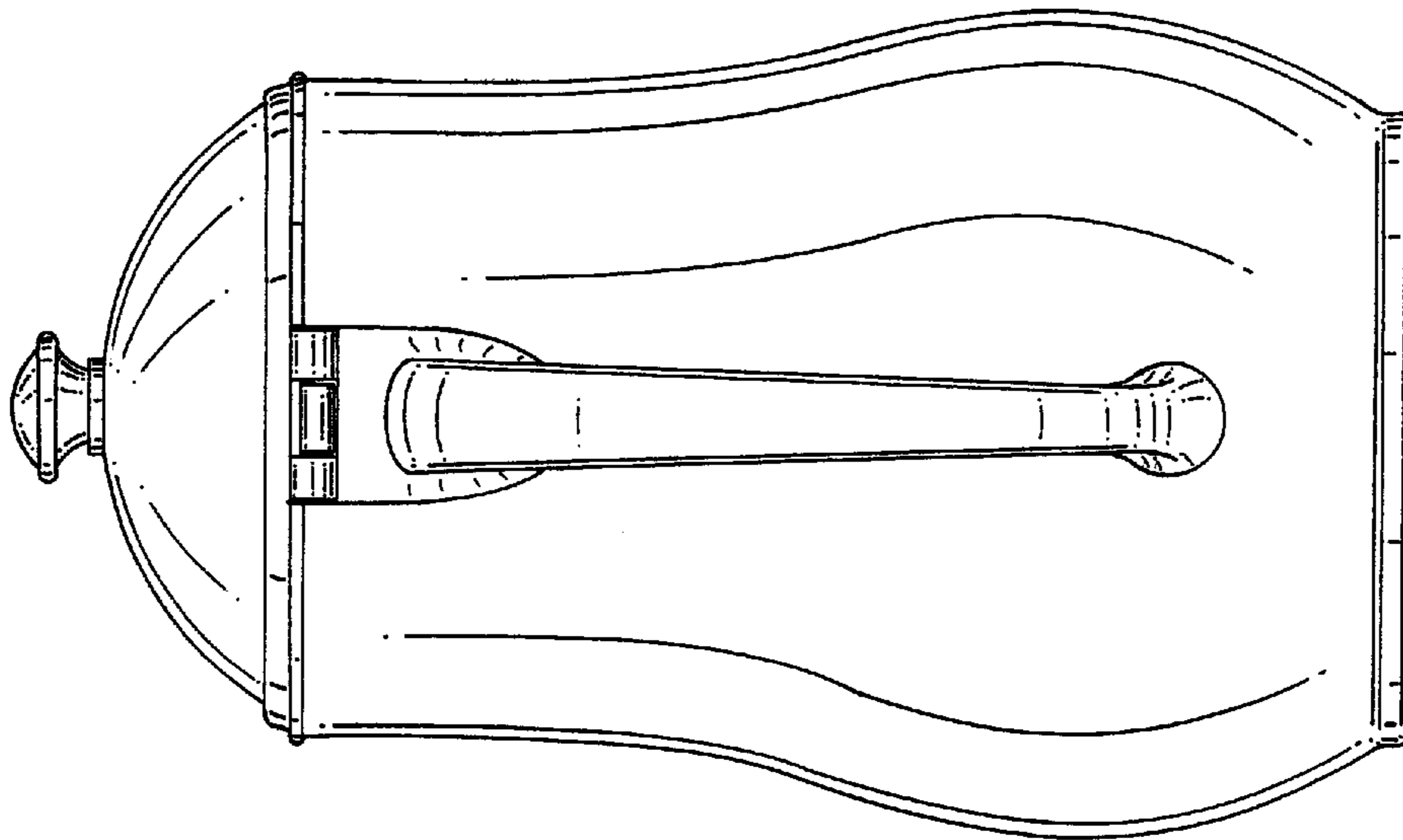


FIG. 3