



US00D451749B1

(12) **United States Design Patent**
Trazzi

(10) **Patent No.:** **US D451,749 S**

(45) **Date of Patent:** **** Dec. 11, 2001**

(54) **COFFEE MACHINE**

(75) **Inventor:** **Luca Trazzi, Milan (IT)**

(73) **Assignee:** **Petervin S.A., Luxembourg (LU)**

(**) **Term:** **14 Years**

(21) **Appl. No.:** **29/120,644**

(22) **Filed:** **Mar. 23, 2000**

(51) **LOC (7) Cl.** **07-01**

(52) **U.S. Cl.** **D7/309; D7/311**

(58) **Field of Search** **D7/300, 309, 310,**
D7/311, 312; 99/305, 306, 295, 284, 280,
279, 299, 281; 141/18

(56) **References Cited**

U.S. PATENT DOCUMENTS

- D. 323,949 * 2/1992 Kahlcke D7/309
- D. 360,802 * 8/1995 Sieffert D7/309
- D. 408,679 * 4/1999 Potts et al. D7/309
- D. 413,757 * 9/1999 Munoz D7/309

- D. 431,749 * 10/2000 Cahen D7/309
- D. 431,750 * 10/2000 Cahen D7/309
- D. 431,751 * 10/2000 Cahen D7/309
- D. 441,593 * 5/2001 Gudfin D7/309

* cited by examiner

Primary Examiner—M. N. Pandozzi

(74) *Attorney, Agent, or Firm*—Rankin, Hill, Porter & Clark LLP

(57) **CLAIM**

The ornamental design for a coffee machine, as shown and described.

DESCRIPTION

FIG. 1 is a top plan view of a coffee machine according to my new design;

FIG. 2 is a left side elevational view thereof;

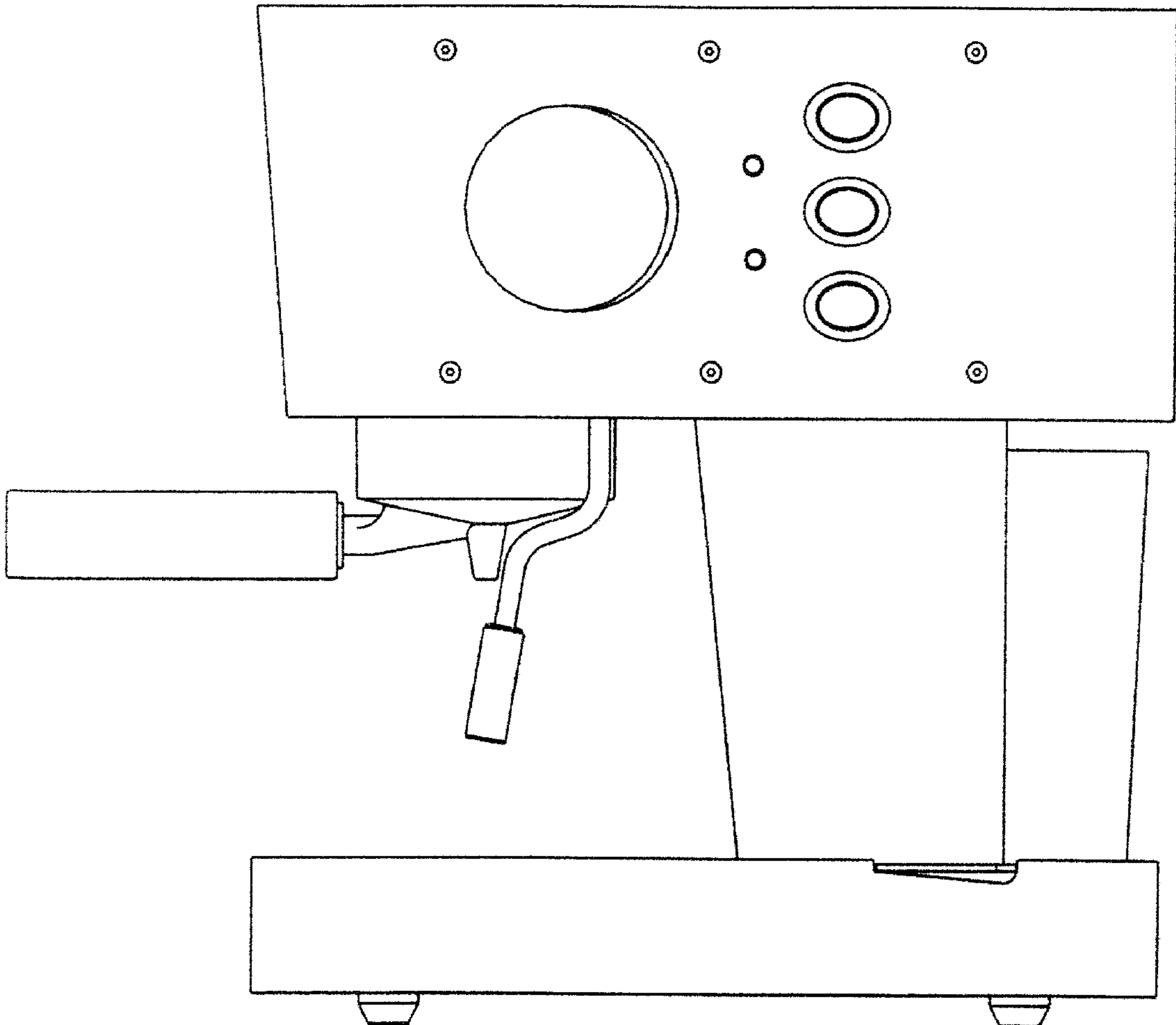
FIG. 3 is a right side elevational view thereof;

FIG. 4 is a front side elevational view thereof;

FIG. 5 is a rear side elevational view thereof; and,

FIG. 6 is a bottom plan view thereof.

1 Claim, 6 Drawing Sheets



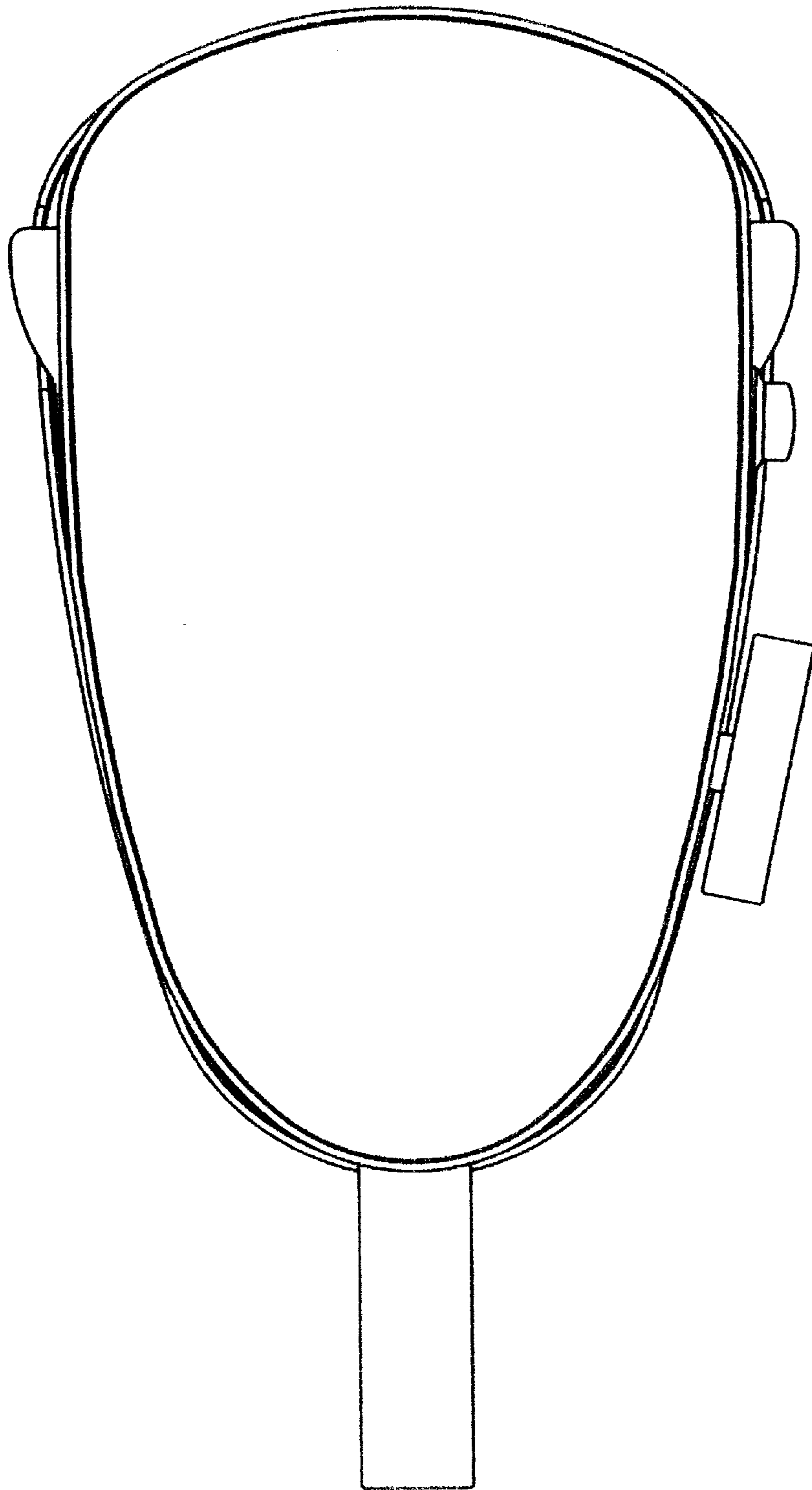


FIG. 1

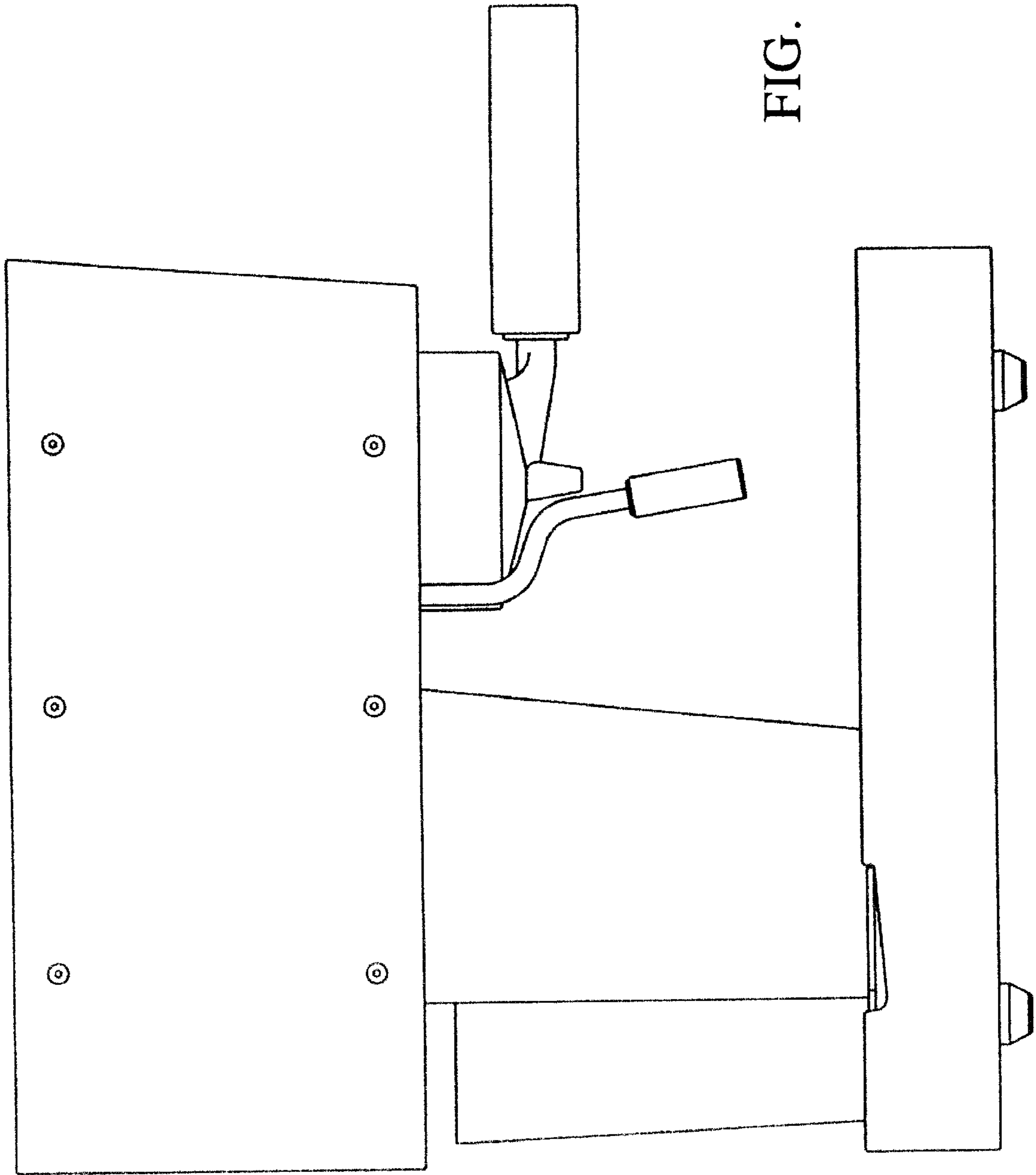


FIG. 2

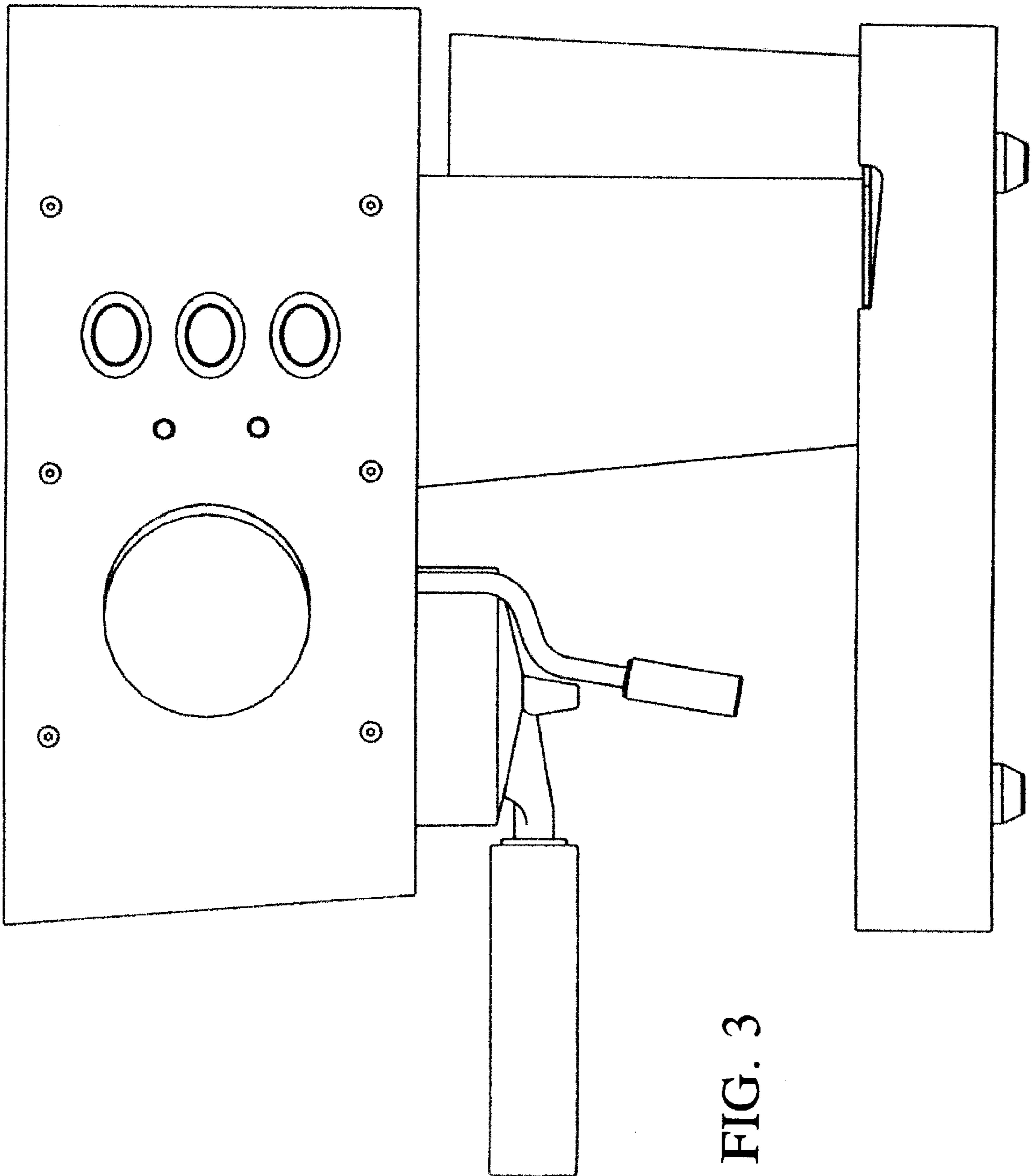


FIG. 3

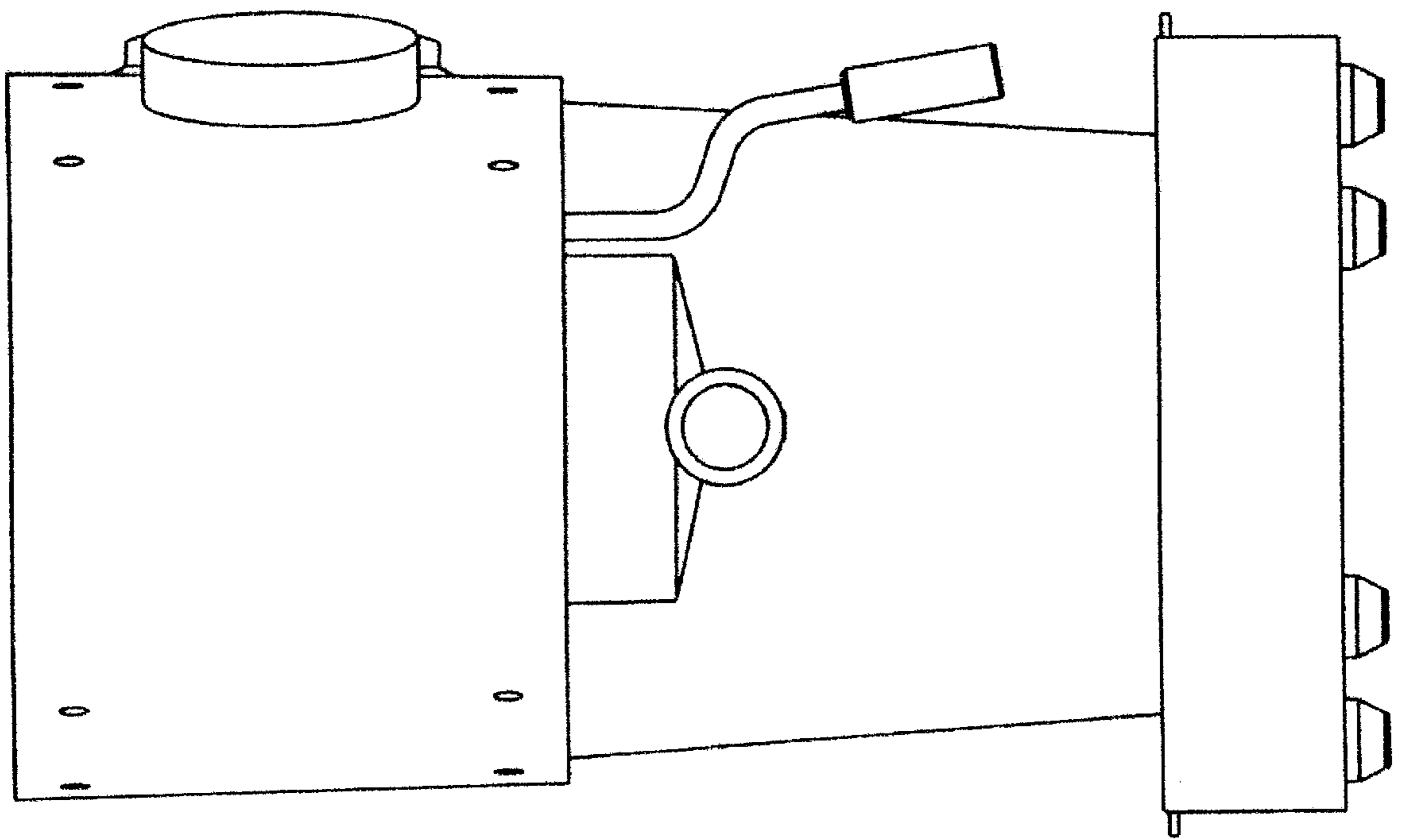
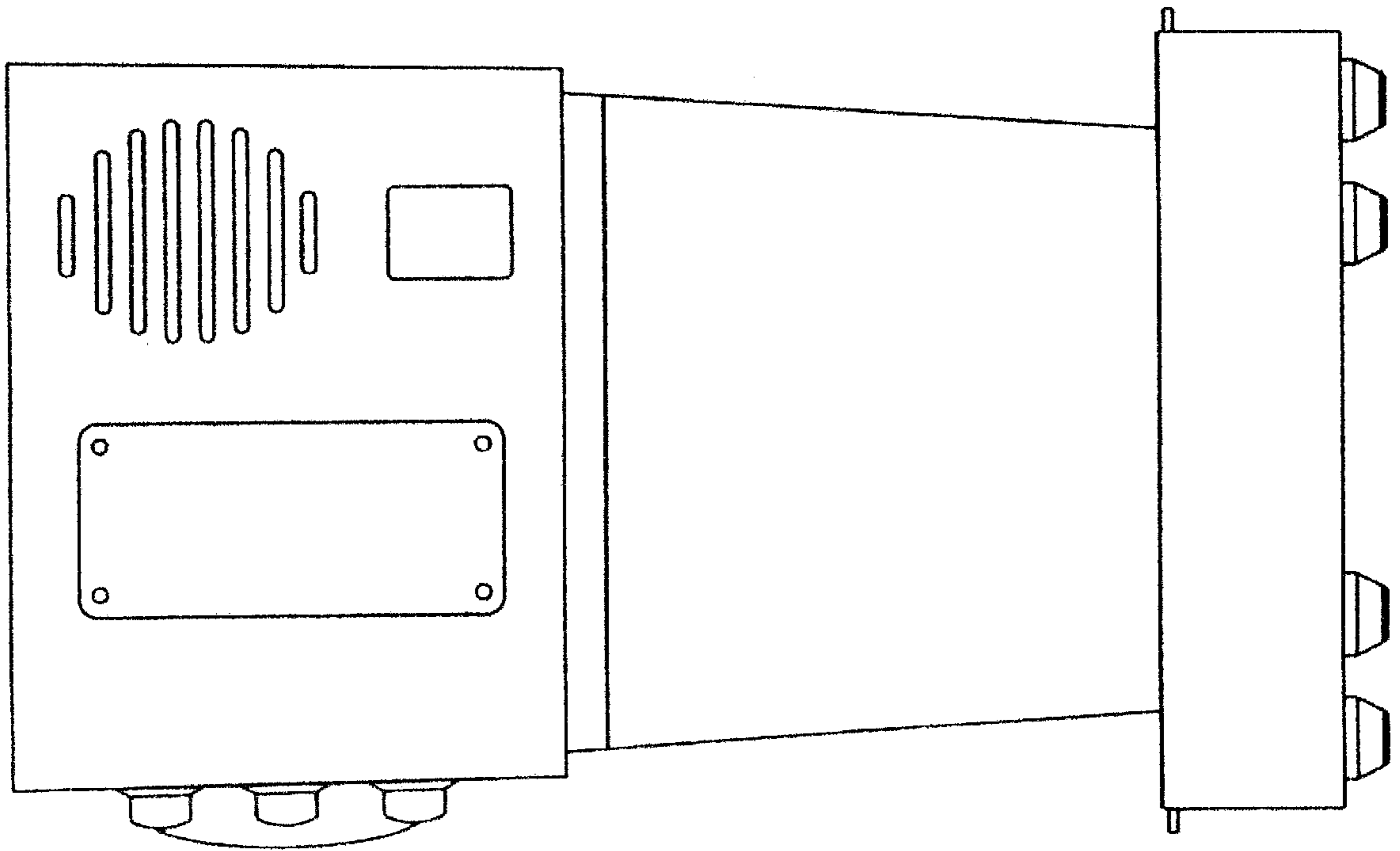


FIG. 4

FIG. 5



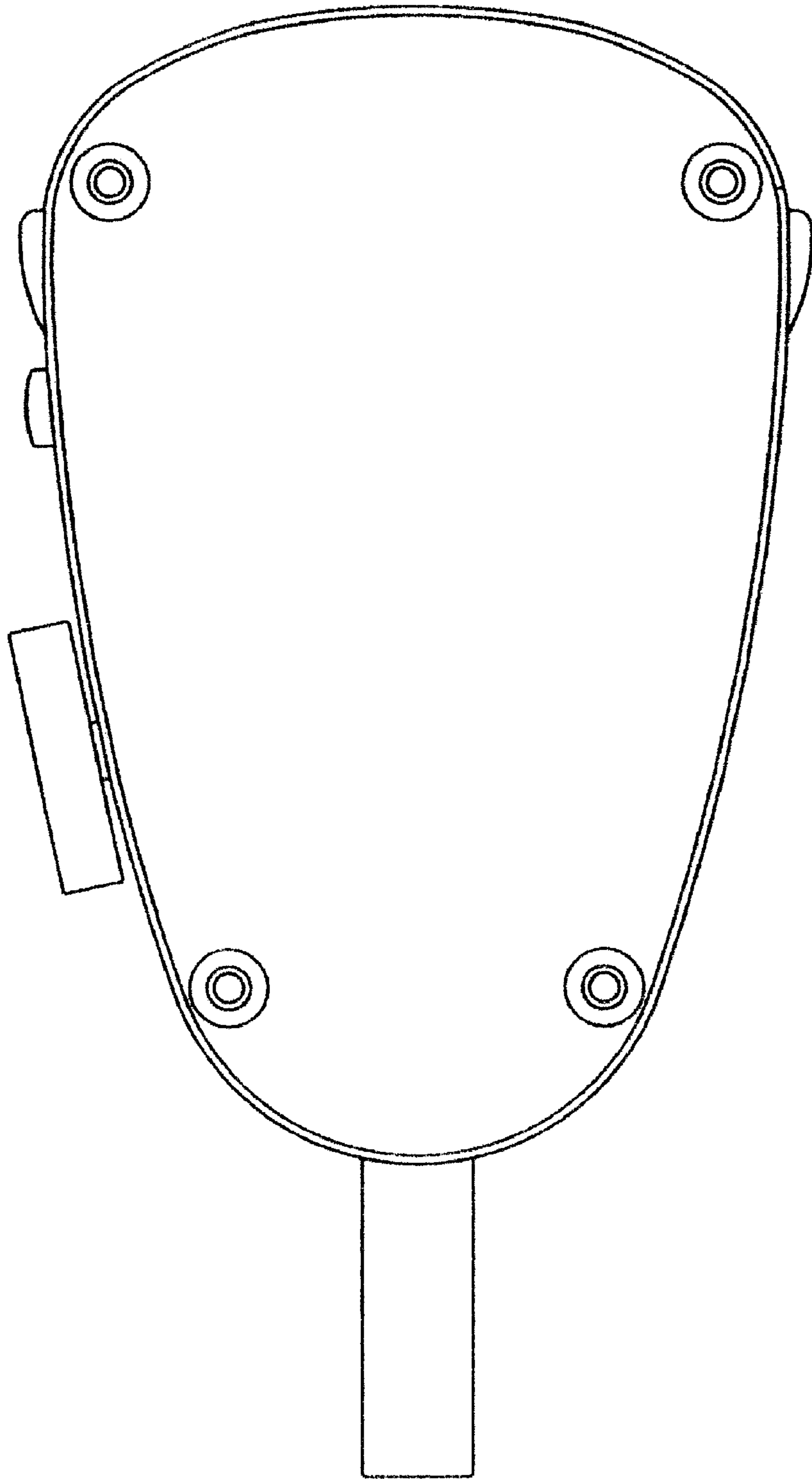


FIG. 6