



US00D451748B1

(12) **United States Design Patent**
Holderfield

(10) **Patent No.:** **US D451,748 S**

(45) **Date of Patent:** **** Dec. 11, 2001**

(54) **REFRIGERATED JUICE DISPENSING MACHINE**

(75) **Inventor:** **Gregory James Holderfield**, Chicago, IL (US)

(73) **Assignee:** **IMI Cornelius Inc.**, Anoka, MN (US)

(**) **Term:** **14 Years**

(21) **Appl. No.:** **29/123,581**

(22) **Filed:** **May 19, 2000**

(51) **LOC (7) Cl.** **07-01**

(52) **U.S. Cl.** **D7/307; D7/308**

(58) **Field of Search** D7/305, 306, 307,
D7/308, 397; 222/129.1-129.4, 183; D23/209;
99/280

(56) **References Cited**

U.S. PATENT DOCUMENTS

D. 321,107	*	10/1991	Laws	D7/308
D. 335,062	*	4/1993	Kolada et al.	D7/308
D. 346,088	*	4/1994	Schroeder	D7/307

D. 390,058	*	2/1998	Landers	D7/307
D. 404,242	*	1/1999	Schroeder	D7/307
D. 407,594	*	4/1999	Jones et al.	D7/307
D. 442,011	*	5/2001	Sandor et al.	D7/307
D. 442,417	*	5/2001	Jones et al.	D7/307

* cited by examiner

Primary Examiner—M. N. Pandozzi

(74) *Attorney, Agent, or Firm*—Sten Erik Hakanson

(57) **CLAIM**

The ornamental design for a refrigerated juice dispensing machine, substantially as shown and described.

DESCRIPTION

FIG. 1 is a perspective view of a refrigerated juice dispensing machine showing my new design;
 FIG. 2 is a front elevational view thereof;
 FIG. 3 is a rear elevational view thereof;
 FIG. 4 is a right side elevational view thereof;
 FIG. 5 is a left side elevational view thereof;
 FIG. 6 is a top plan view thereof; and,
 FIG. 7 is a bottom plan view thereof.

1 Claim, 7 Drawing Sheets

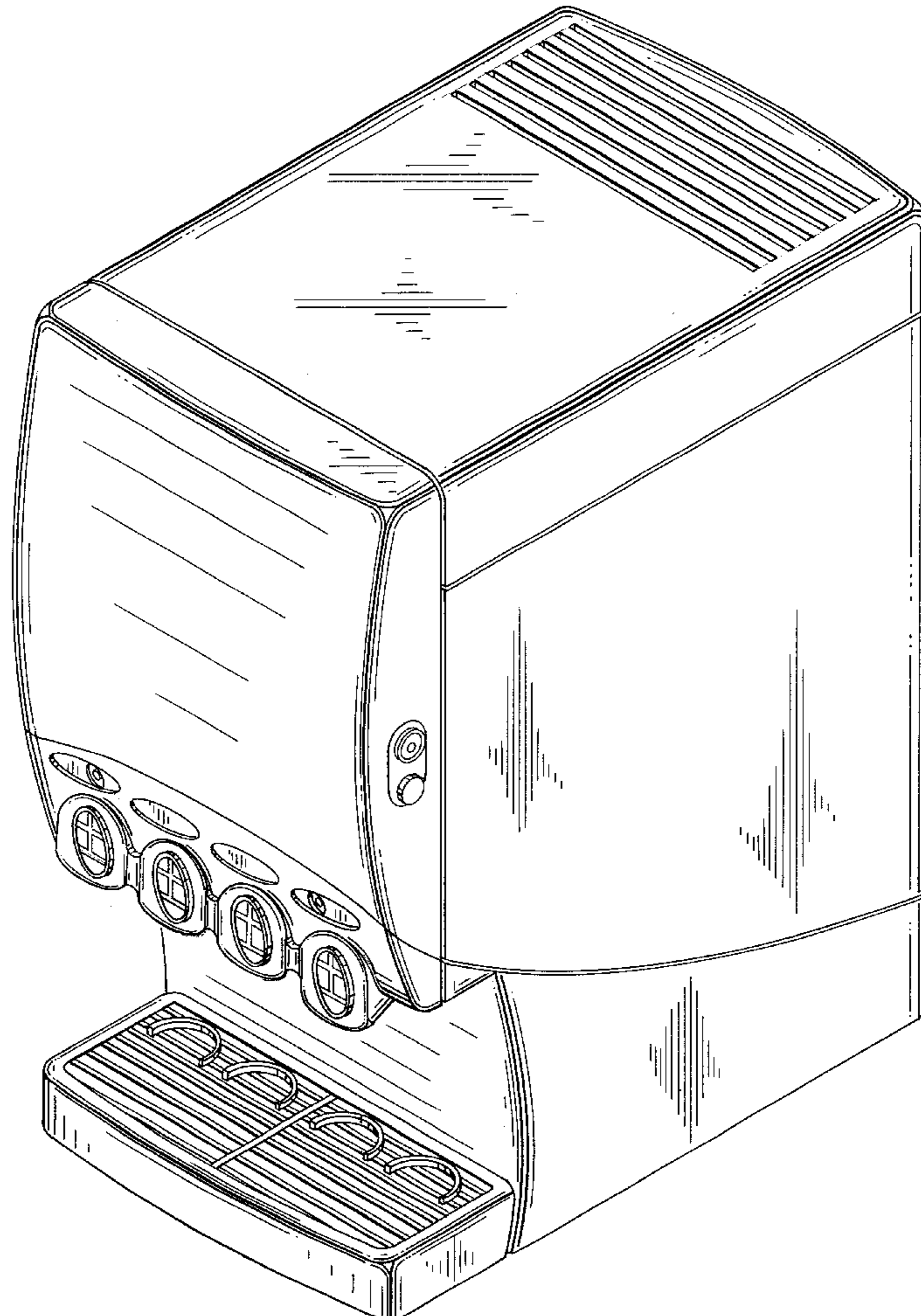


Fig.-1

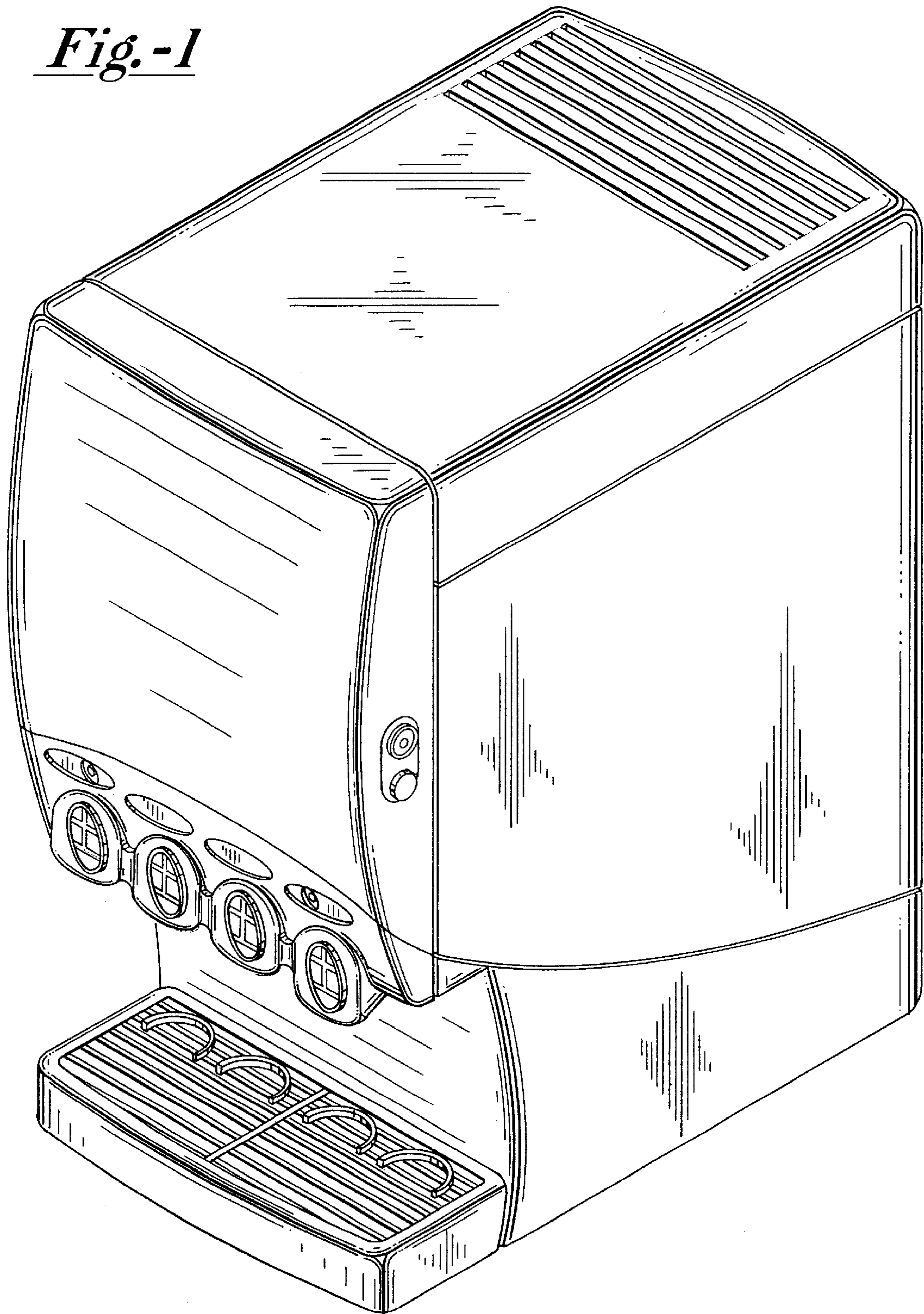


Fig.-2

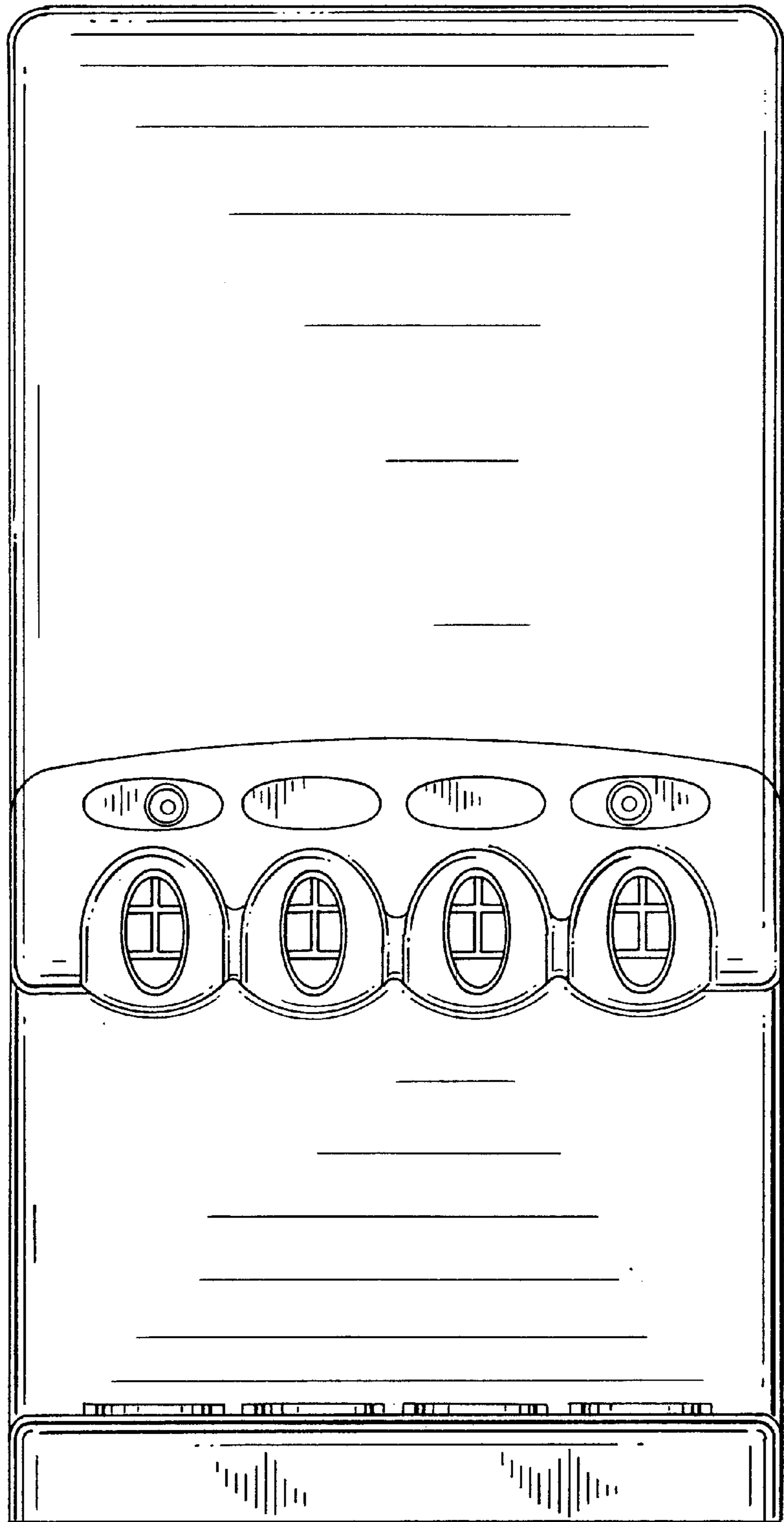


Fig. -3

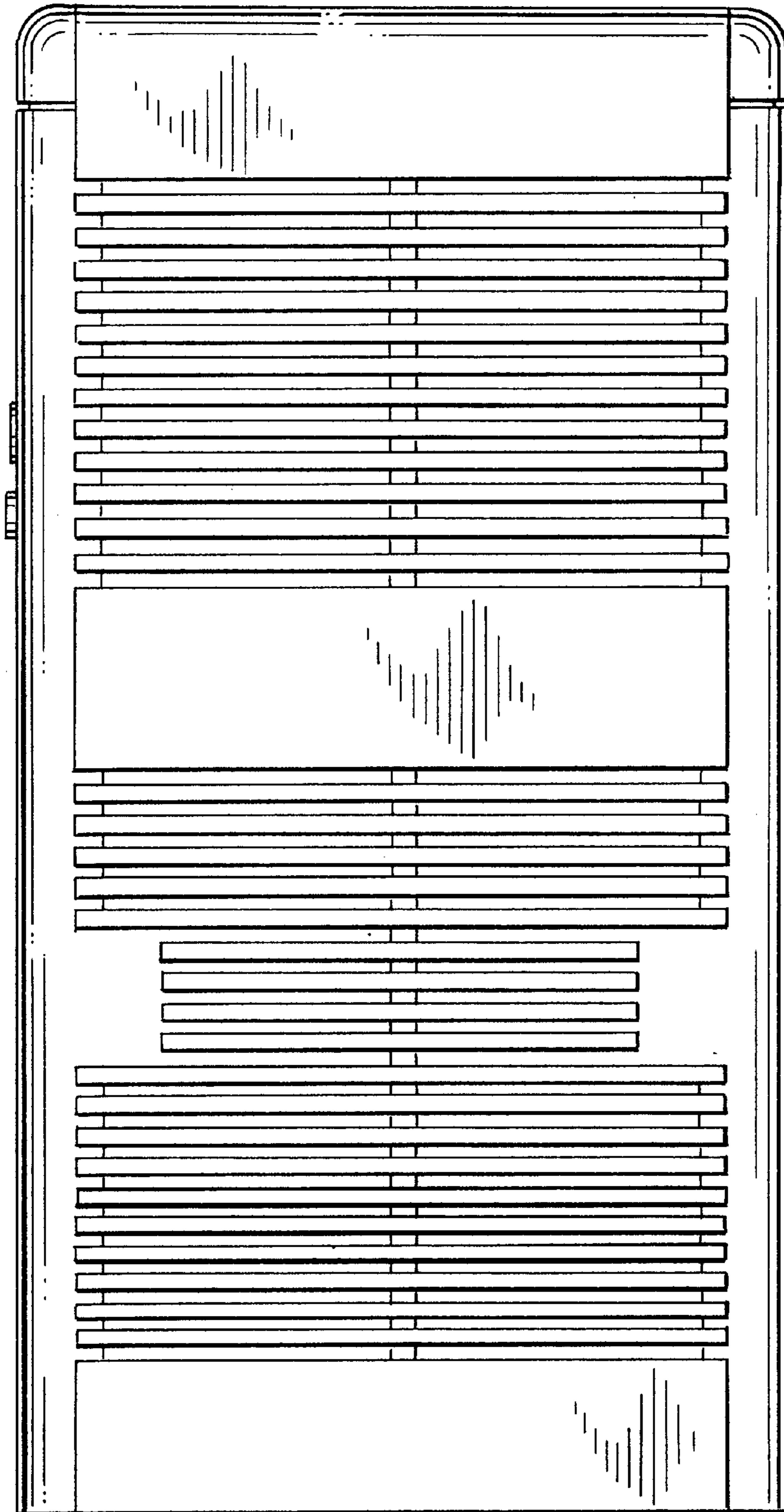


Fig.-4

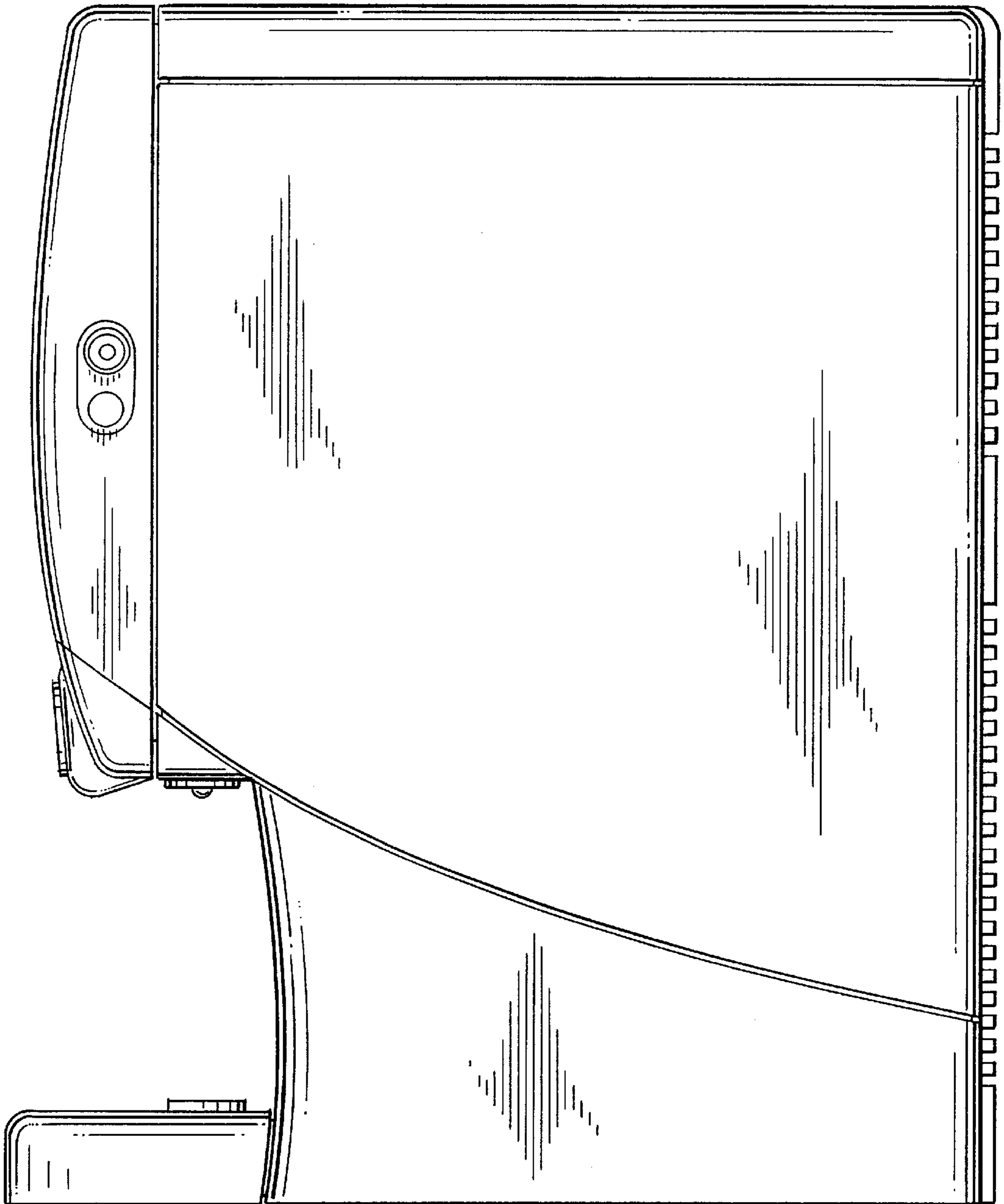


Fig.-5

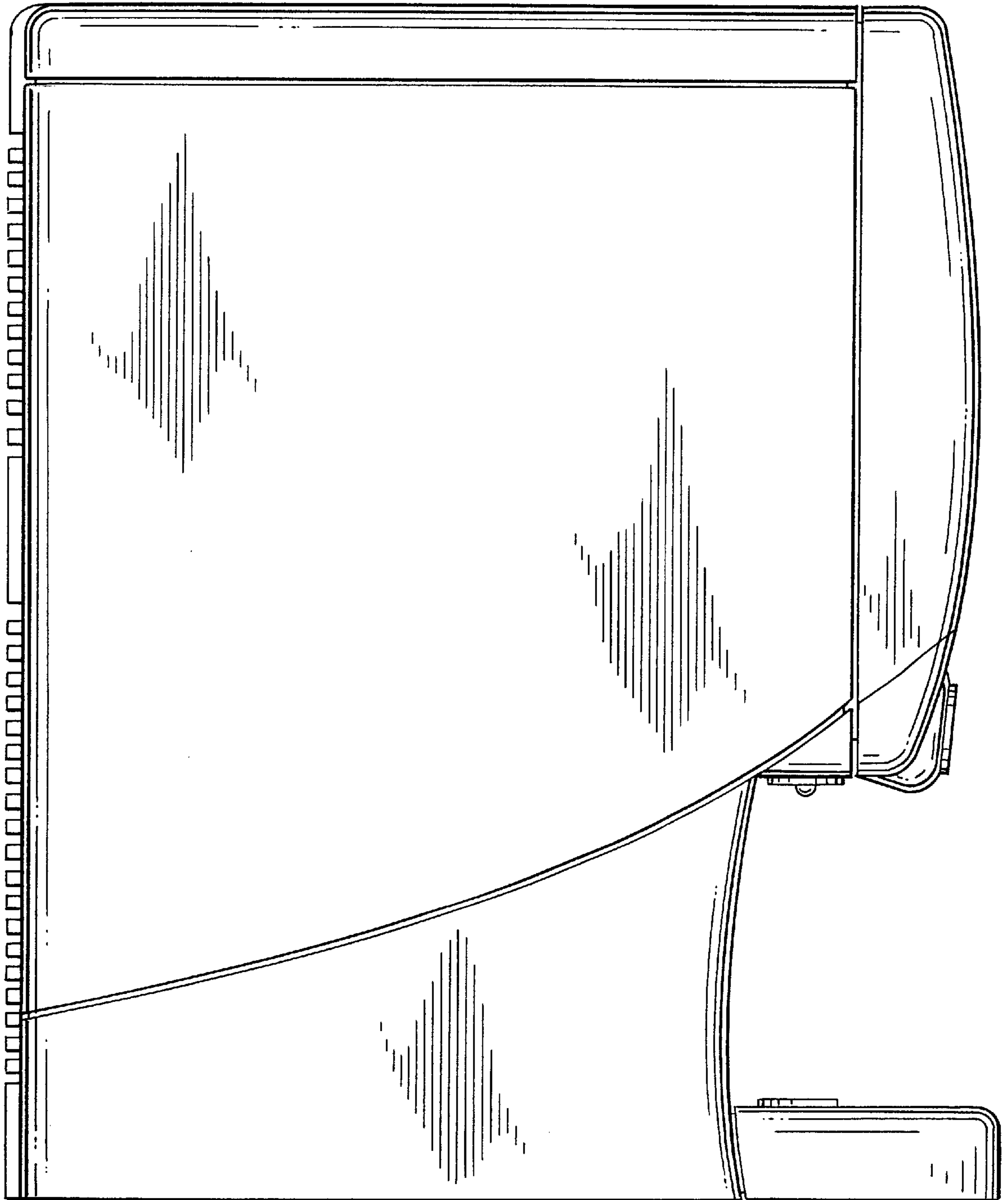


Fig. -6

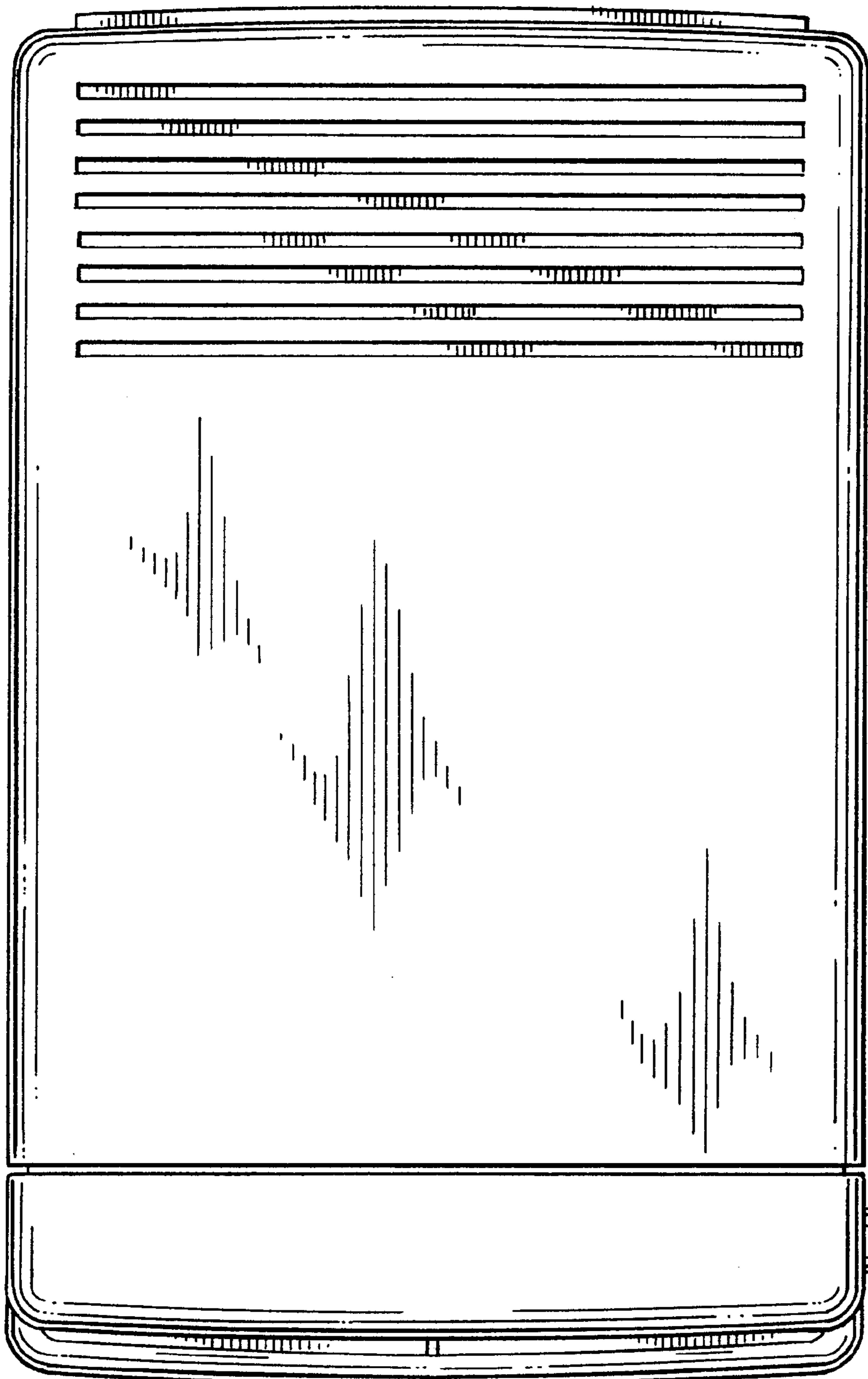


Fig. -7

