



US00D451747B1

(12) **United States Design Patent**  
**Tang**

(10) **Patent No.:** **US D451,747 S**

(45) **Date of Patent:** **\*\* Dec. 11, 2001**

(54) **DISK HOLDER**

(75) Inventor: **Kam Sau Tang**, North Point (CN)

(73) Assignee: **Triple Keen Industrial Limited**, North Point (CN)

(\*\*) Term: **14 Years**

(21) Appl. No.: **29/132,325**

(22) Filed: **Nov. 7, 2000**

(51) **LOC (7) Cl.** ..... **06-04**

(52) **U.S. Cl.** ..... **D6/632; D6/407; D6/634; D6/635**

(58) **Field of Search** ..... D3/201; D6/407, D6/408, 626-635; D14/475, 478, 479, 496; 206/232, 307.1, 308.1, 308.3, 309, 311, 312, 313, 387.13, 396, 397, 398, 408, 459.1; 369/37, 75.2, 291; 379/355

(56) **References Cited**

**U.S. PATENT DOCUMENTS**

- D. 347,320 \* 5/1994 Corday ..... D6/634
- D. 347,727 \* 6/1994 Corday ..... D6/634
- D. 411,071 \* 6/1999 Cerda-Vicedo ..... D6/632
- D. 420,240 \* 2/2000 Sorenson et al. .... D6/632
- D. 433,266 \* 11/2000 Peterson et al. .... D6/634
- D. 437,171 \* 2/2001 Cuadrado-Serena ..... D6/632
- D. 437,520 \* 2/2001 Choi ..... D6/632
- 5,769,217 \* 6/1998 Derraugh et al. .... 206/308.1
- 5,788,068 \* 8/1998 Fraser et al. .... 206/310
- 5,887,713 \* 3/1999 Smith et al. .... 206/308.1

- 5,894,924 \* 4/1999 Koch ..... 206/310
- 5,896,985 \* 4/1999 Nakasuji ..... 206/308.2
- 5,931,294 \* 8/1999 Weingarden et al. .... 206/308.1
- 5,944,181 \* 8/1999 Lau ..... 206/308.1
- 5,960,949 \* 10/1999 Wynalda, Jr. .... 206/307.1
- 5,988,375 \* 11/1999 Chang ..... 206/308.1
- 5,996,788 \* 12/1999 Belden, Jr et al. .... 206/310
- 6,085,900 \* 7/2000 Wong ..... 206/308.1
- 6,119,857 \* 9/2000 Stumpff ..... 206/308.1
- 6,155,417 \* 12/2000 Flores, Jr. et al. .... 206/308.1
- 6,227,362 \* 5/2001 Cheung ..... 206/308.1
- 6,237,763 \* 5/2001 Lau ..... 206/308.1

\* cited by examiner

*Primary Examiner*—Cellia Murphy

(74) *Attorney, Agent, or Firm*—Alix, Yale & Ristas, LLP

(57) **CLAIM**

The ornamental design for a disk holder, as shown and described.

**DESCRIPTION**

FIG. 1 is a front perspective view of the disk holder showing my new design;

FIG. 2 is a front perspective view in an opened position of the disk holder of FIG. 1;

FIG. 3 is an enlarged front elevational view of FIG. 1;

FIG. 4 is a top plan view of FIG. 3;

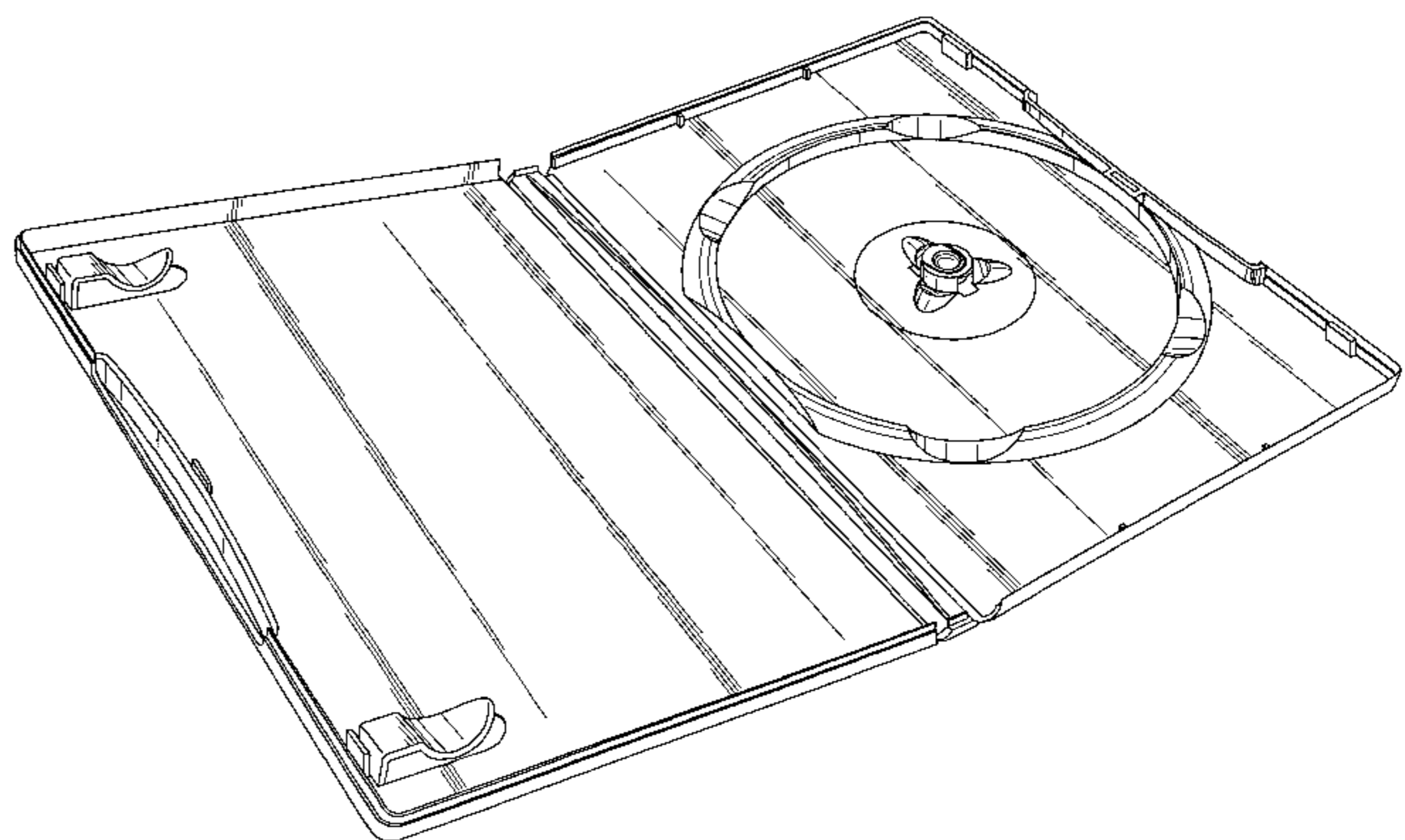
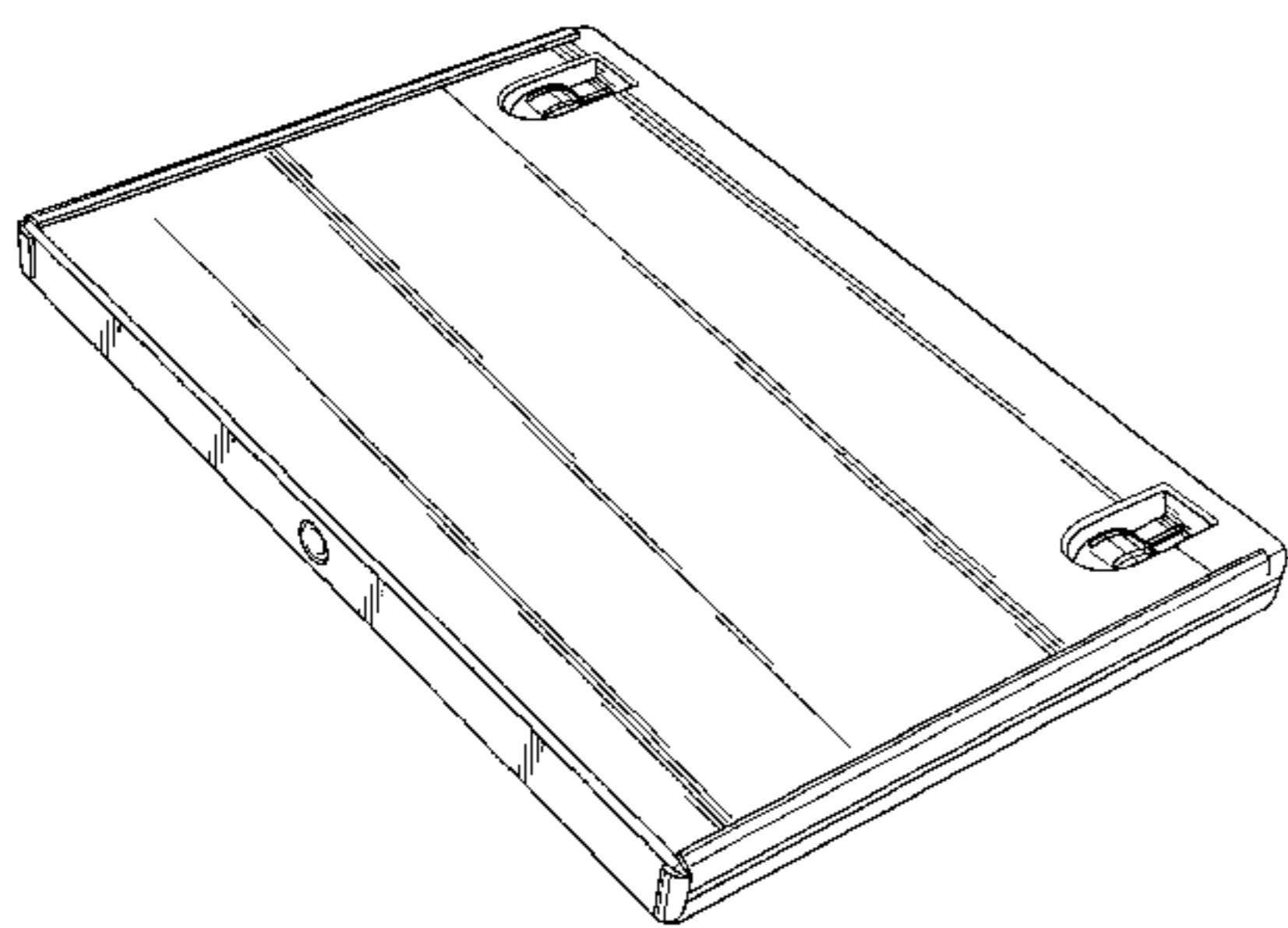
FIG. 5 is a rear elevational view of FIG. 3;

FIG. 6 is a bottom plan view of FIG. 3;

FIG. 7 is a left side elevational view of FIG. 3; and,

FIG. 8 is a right side elevational view of FIG. 3.

**1 Claim, 5 Drawing Sheets**



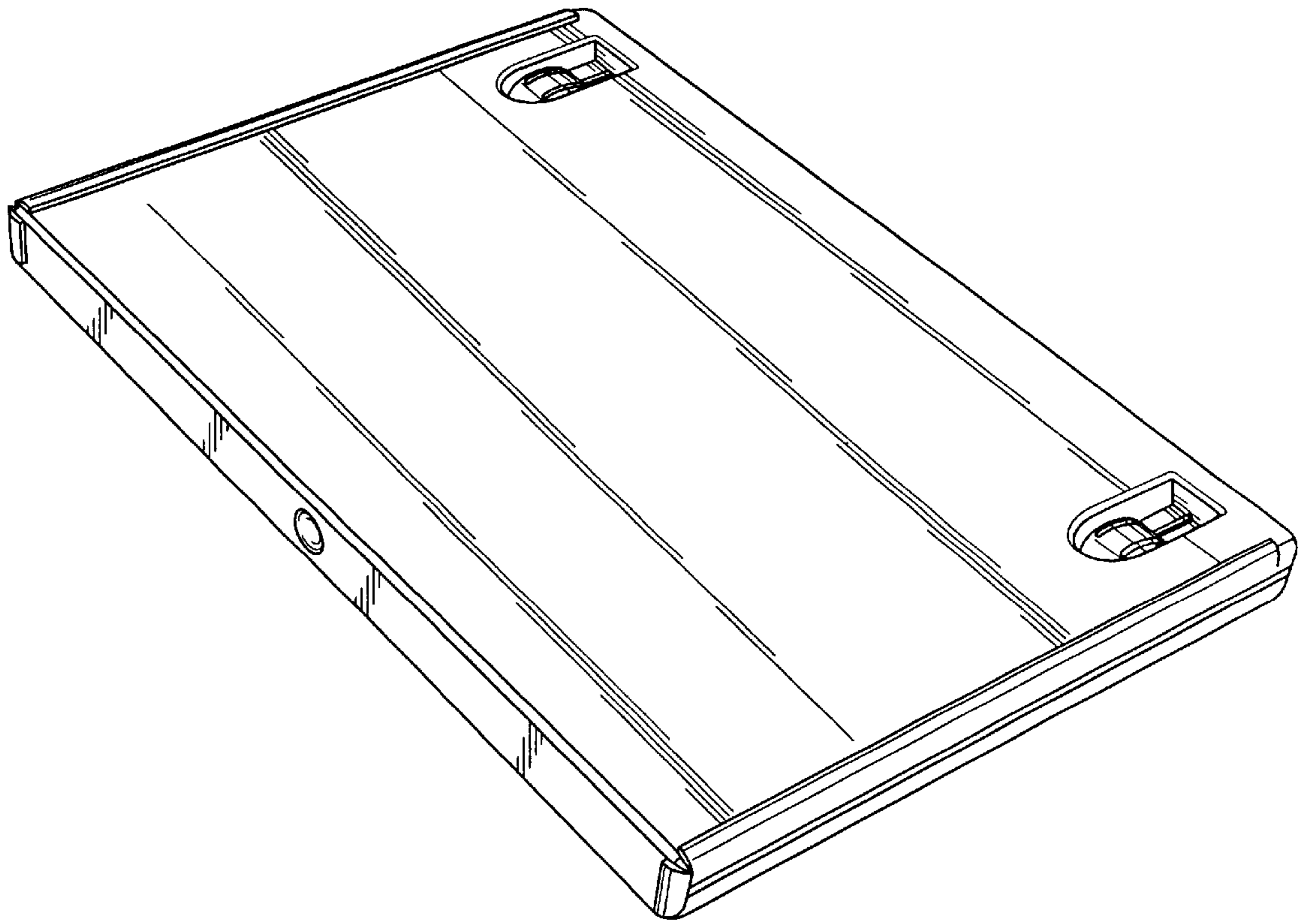


FIG. 1

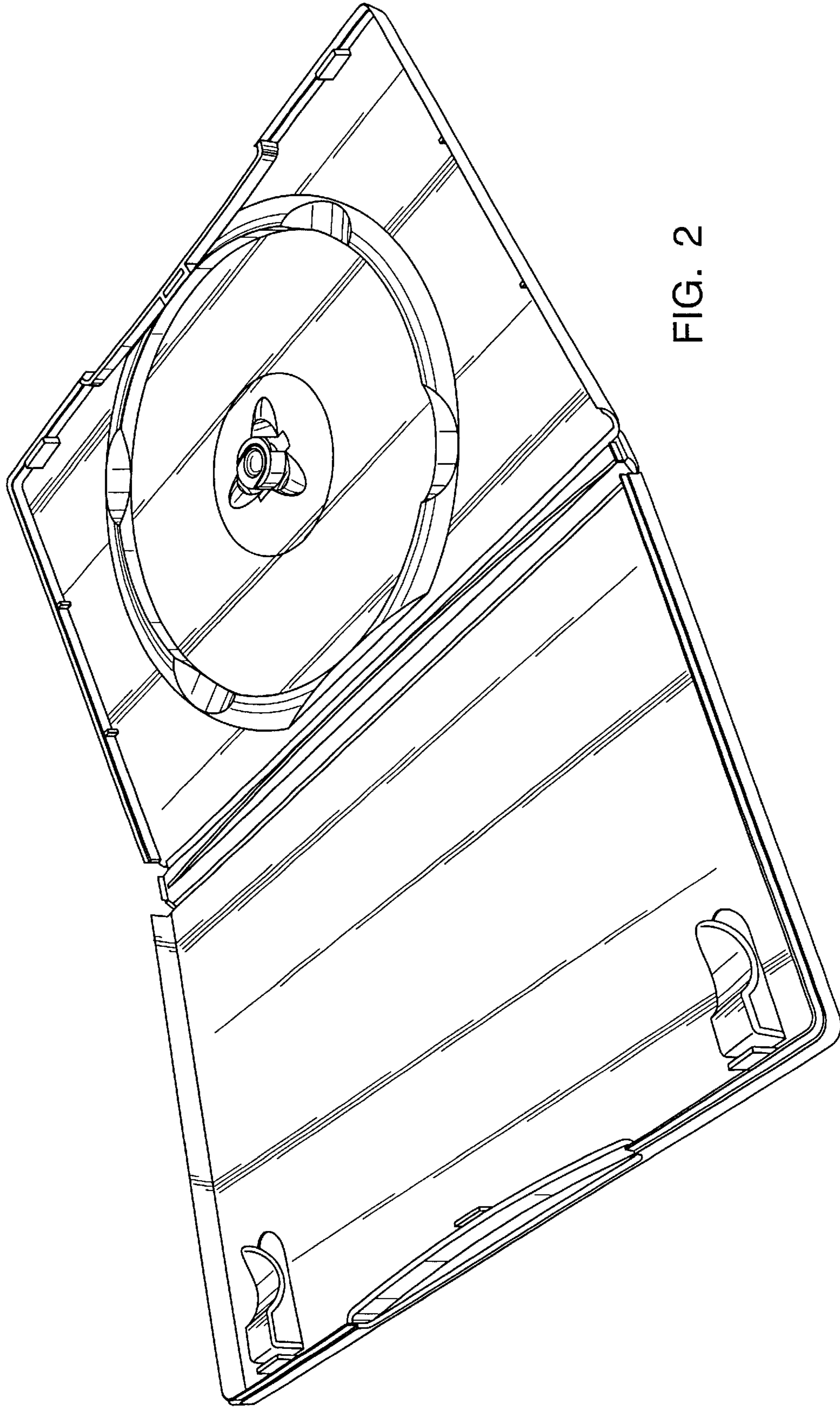


FIG. 2

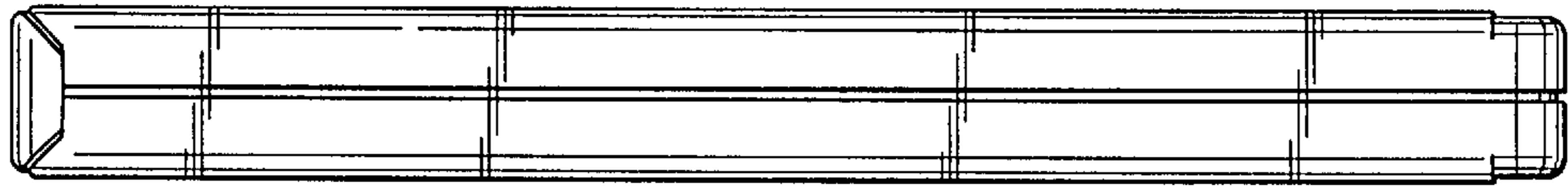


FIG. 4

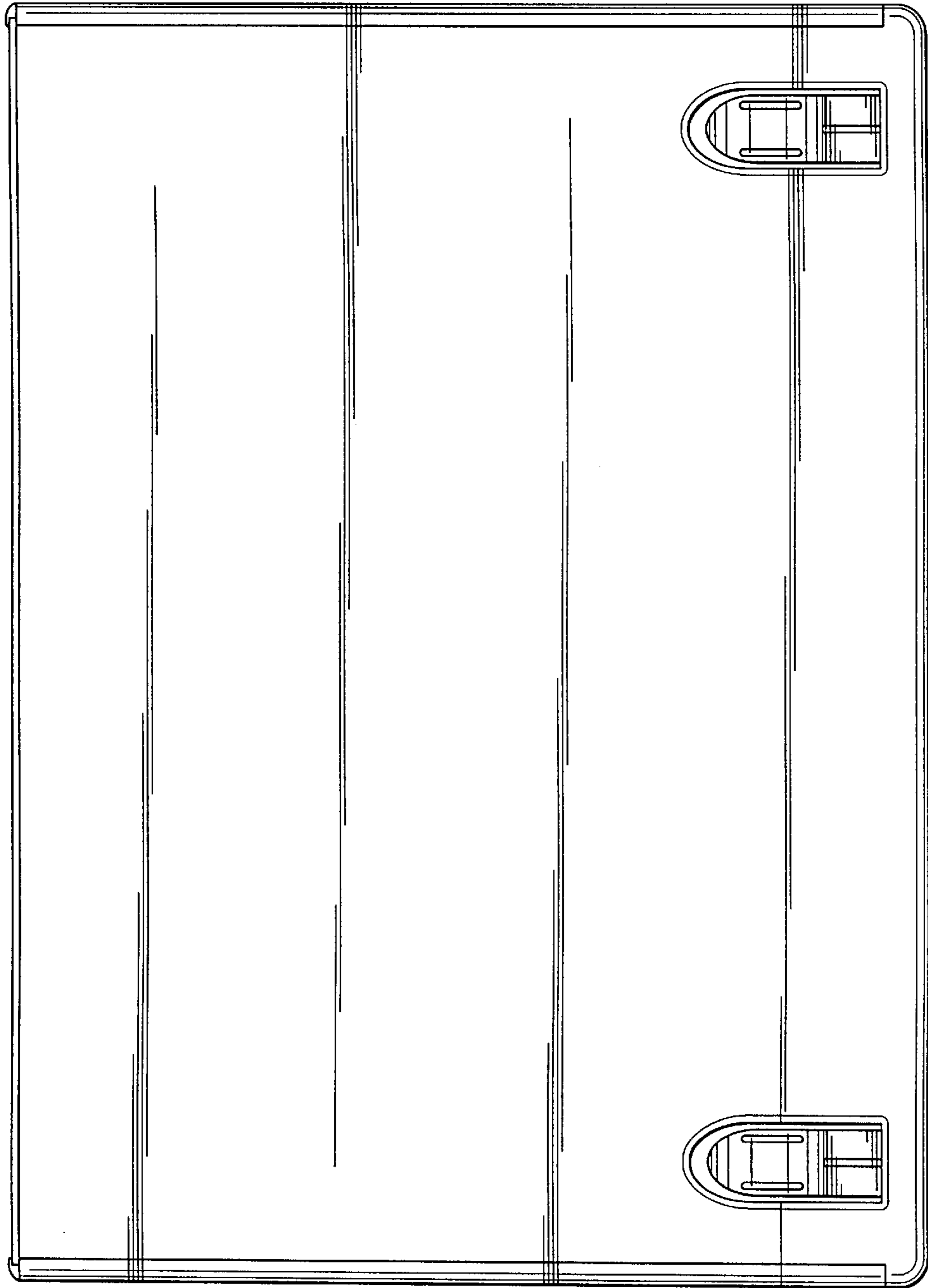


FIG. 3

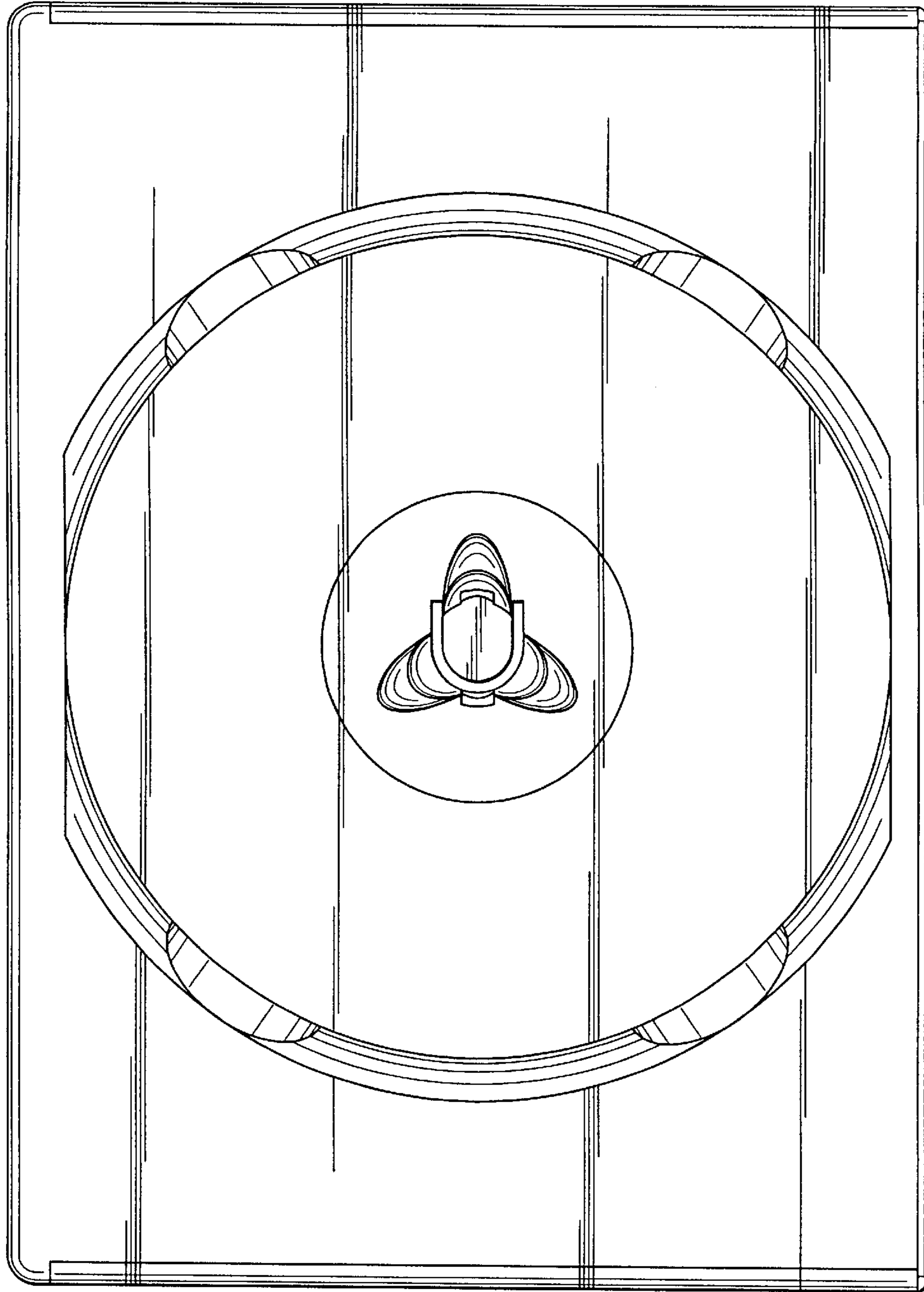


FIG. 5

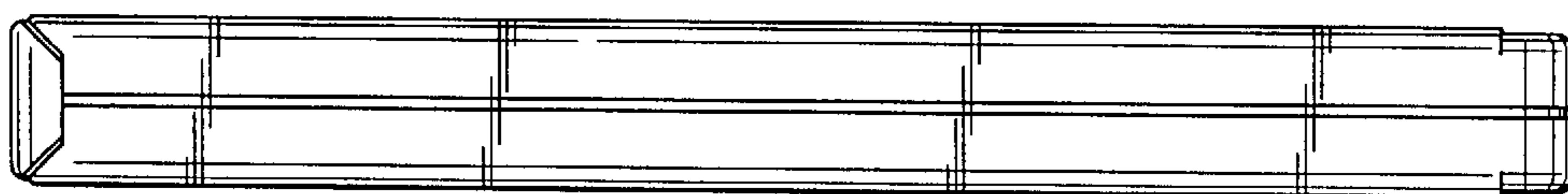


FIG. 6

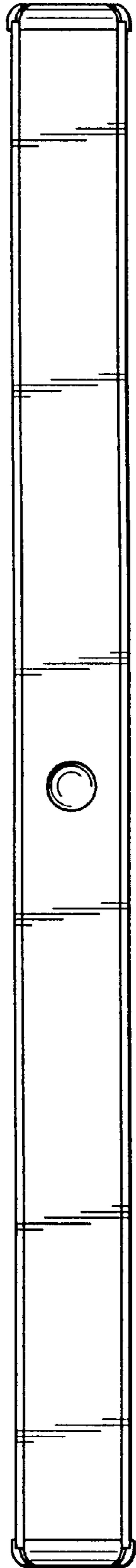


FIG. 7



FIG. 8