



US00D451742B1

(12) **United States Design Patent**  
**Jones et al.**

(10) **Patent No.:** **US D451,742 S**

(45) **Date of Patent:** **\*\* Dec. 11, 2001**

(54) **WINDOW BOX**

4,011,951 \* 3/1977 Boyer ..... 211/85.21

(75) Inventors: **Dominic H. Jones**, Columbus; **Donald J. Staufenberg**, Dublin, both of OH (US)

\* cited by examiner

*Primary Examiner*—Brian N. Vinson

(74) *Attorney, Agent, or Firm*—Quarles & Brady LLP

(73) Assignee: **National Manufacturing Co.**, Sterling, IL (US)

(57) **CLAIM**

(\*\*) Term: **14 Years**

The ornamental design for a window box, as shown and described.

(21) Appl. No.: **29/133,682**

**DESCRIPTION**

(22) Filed: **Dec. 4, 2000**

FIG. 1 is a perspective view of our new design for a window box;

(51) **LOC (7) Cl.** ..... **06-04**

(52) **U.S. Cl.** ..... **D6/556; D6/566**

(58) **Field of Search** ..... D6/556, 566; D11/143, D11/148, 149, 151, 152, 154; 47/41.01, 67; 211/85.31, 106, 106.01

FIG. 2 is a top plan view of the window box of FIG. 1; FIG. 3 is a front elevation view of the window box of FIG. 1;

FIG. 4 is a right end view of the window box of FIG. 1; FIG. 5 is a top plan view of an alternate embodiment of our new design for a window box; and,

FIG. 6 is a front elevation view for the window box of FIG. 5.

(56) **References Cited**

**U.S. PATENT DOCUMENTS**

- D. 339,942 \* 10/1993 Emalfarb et al. .... D6/513
- D. 433,958 \* 11/2000 Rosenberg ..... D11/148

The left end elevation view of the window box of FIG. 1 is a mirror image of FIG. 4.

**1 Claim, 2 Drawing Sheets**

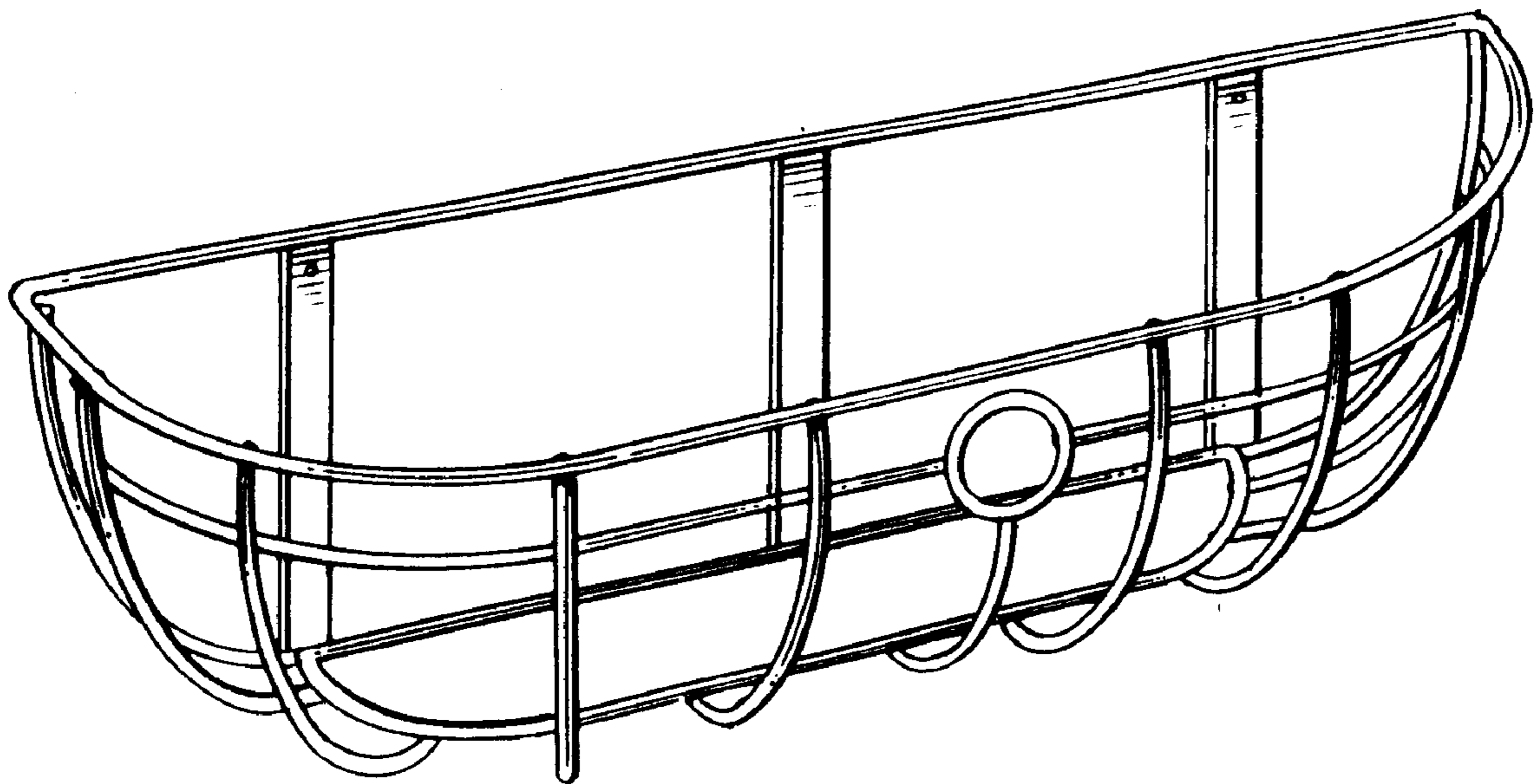


FIG. 1

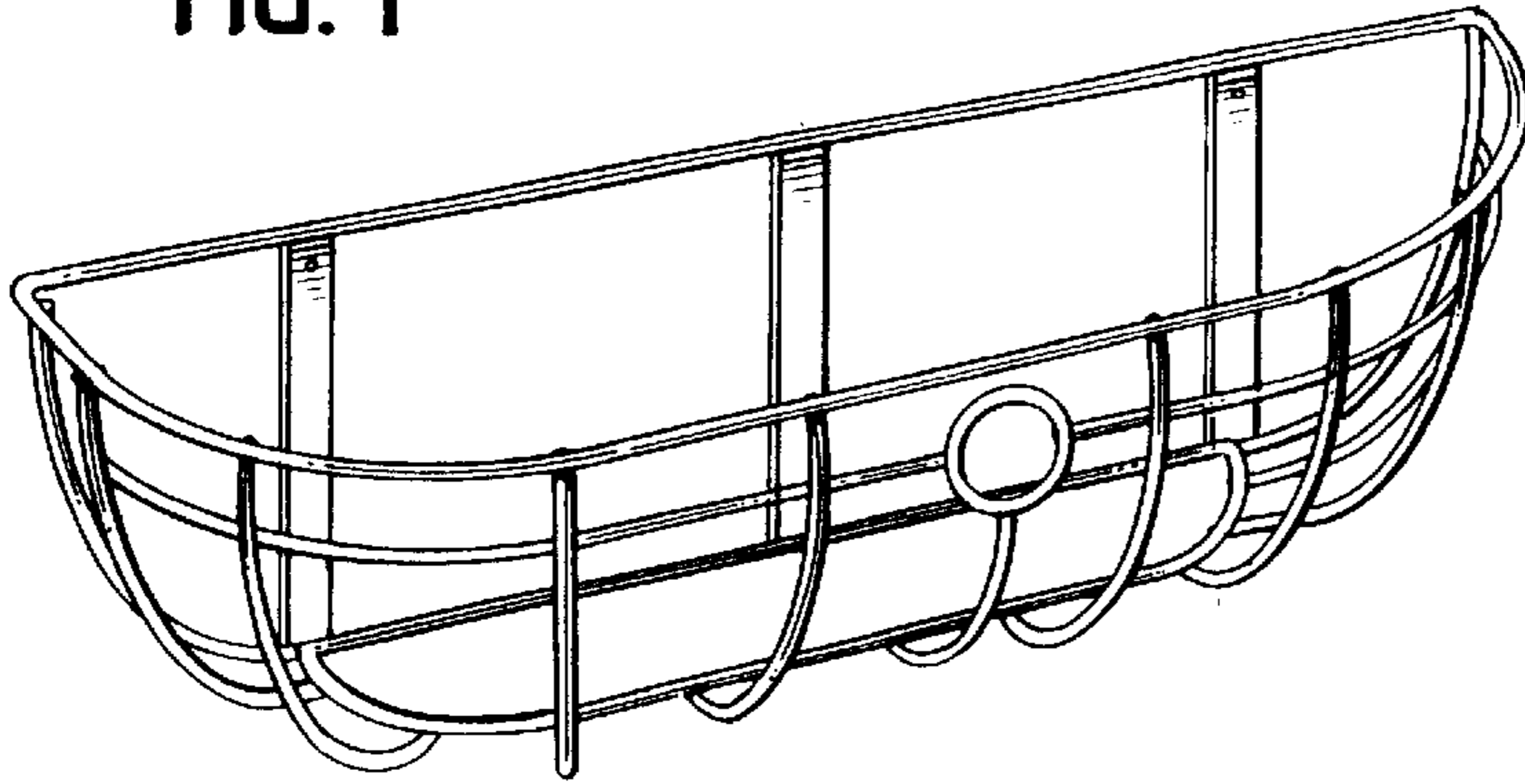


FIG. 4

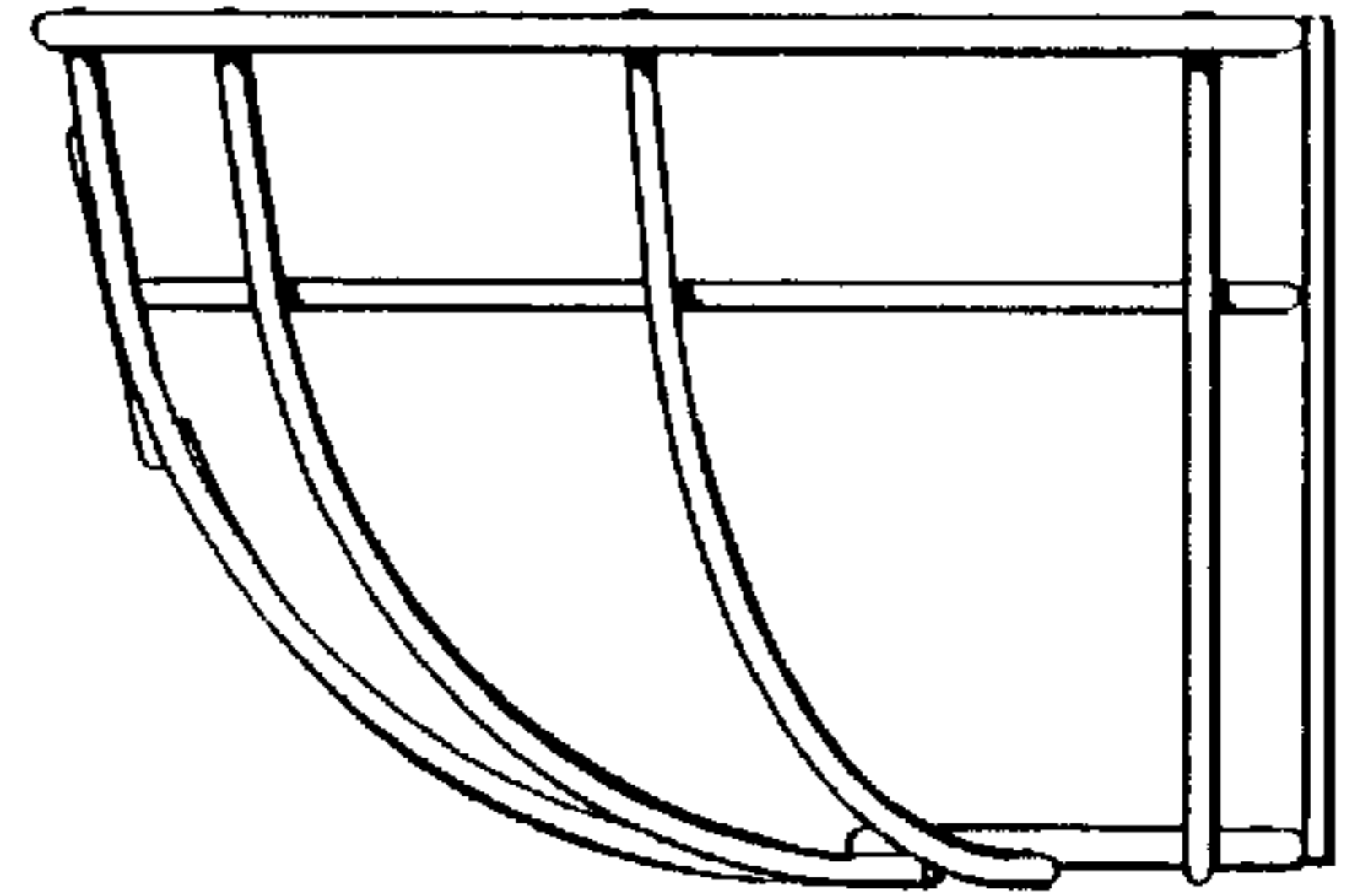


FIG. 2

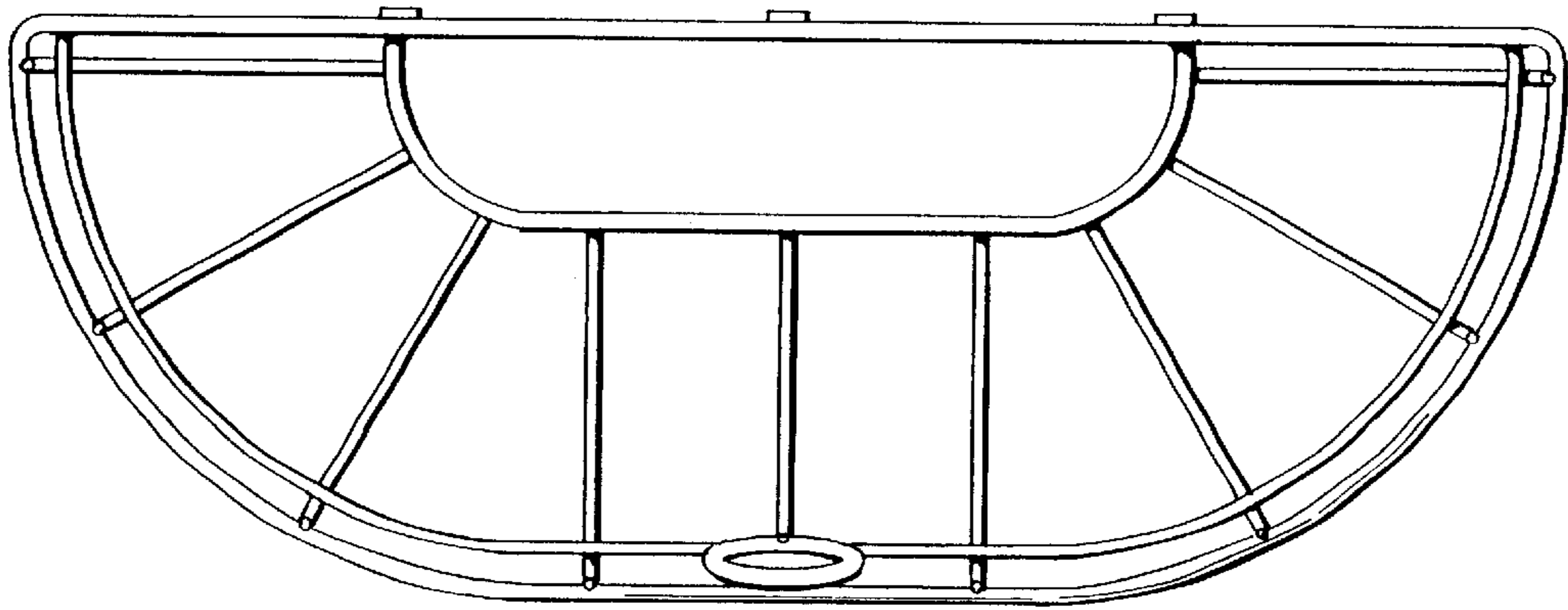


FIG. 3

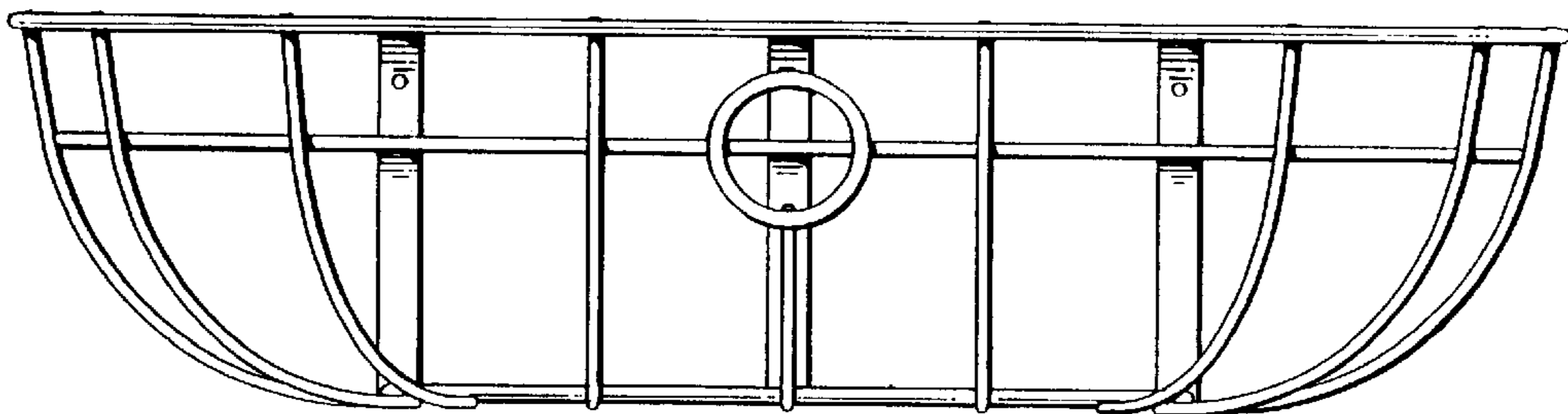


FIG. 5

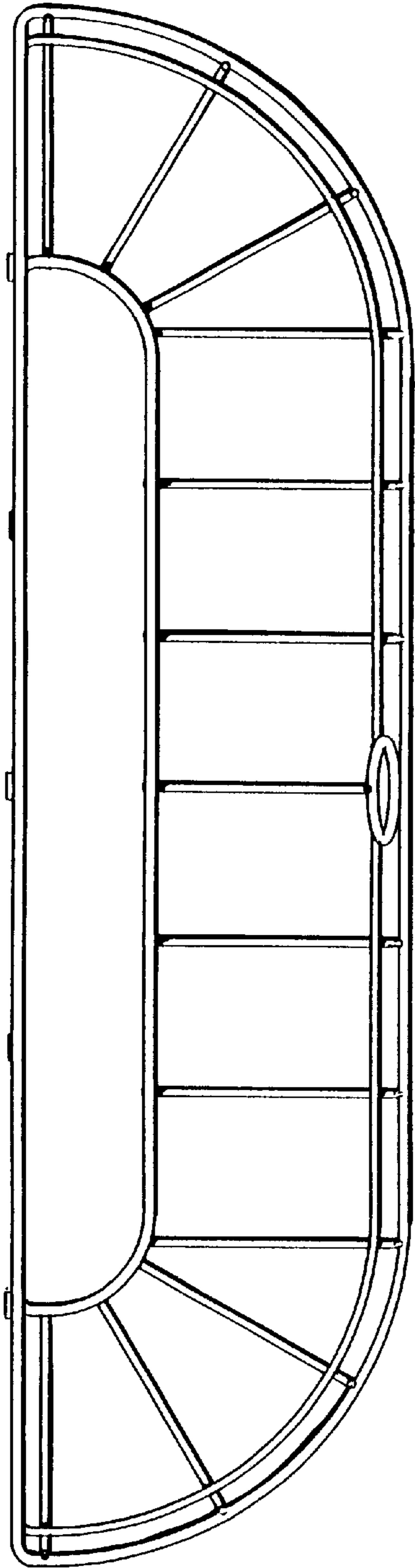


FIG. 6

