



US00D451741B1

(12) **United States Design Patent**
Norn

(10) **Patent No.:** **US D451,741 S**

(45) **Date of Patent:** **** Dec. 11, 2001**

(54) **BASEBALL EQUIPMENT ORGANIZER**

5,690,235 * 11/1997 Matzen 211/60.1

(76) Inventor: **Michael J. Norn**, 41 Watford Street,
Brooklin, Ontario (CA), L0B 1C0

* cited by examiner

(**) Term: **14 Years**

Primary Examiner—Brian N. Vinson

(74) *Attorney, Agent, or Firm*—Ridout & Maybee LLP

(21) Appl. No.: **29/132,927**

(57) **CLAIM**

(22) Filed: **Nov. 20, 2000**

The ornamental design for a baseball equipment organizer,
as shown in described.

(51) **LOC (7) Cl.** **08-08**

DESCRIPTION

(52) **U.S. Cl.** **D6/552**

(58) **Field of Search** D6/552, 553, 567,
D6/315, 320; 211/34–37, 70.6, 70.8, 60.1

FIG. 1 is a front perspective view of a baseball equipment
organizer showing my new design;

FIG. 2 is a top plan view thereof;

FIG. 3 is a front elevational view thereof;

FIG. 4 is a right side elevational view thereof;

FIG. 5 is a rear elevational view thereof; and,

FIG. 6 is a bottom plan view thereof.

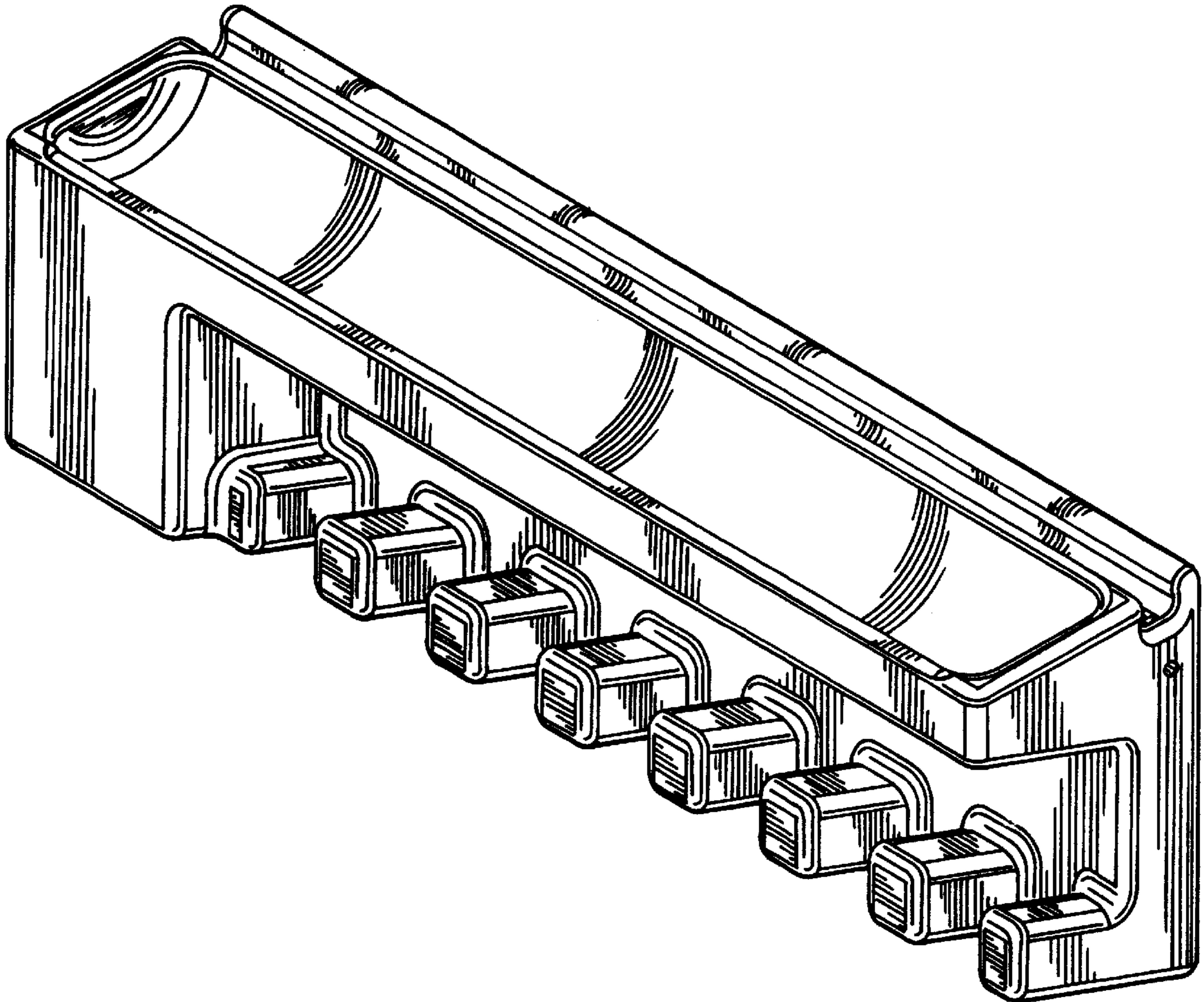
The left side of the baseball equipment organizer is flat.

(56) **References Cited**

U.S. PATENT DOCUMENTS

D. 404,952	*	2/1999	Bauer	D6/552
D. 417,113	*	11/1999	Greaney et al.	D6/552
D. 429,094	*	8/2000	Solowiej	D6/477
4,583,647	*	4/1986	Schinzing	211/60.1

1 Claim, 3 Drawing Sheets



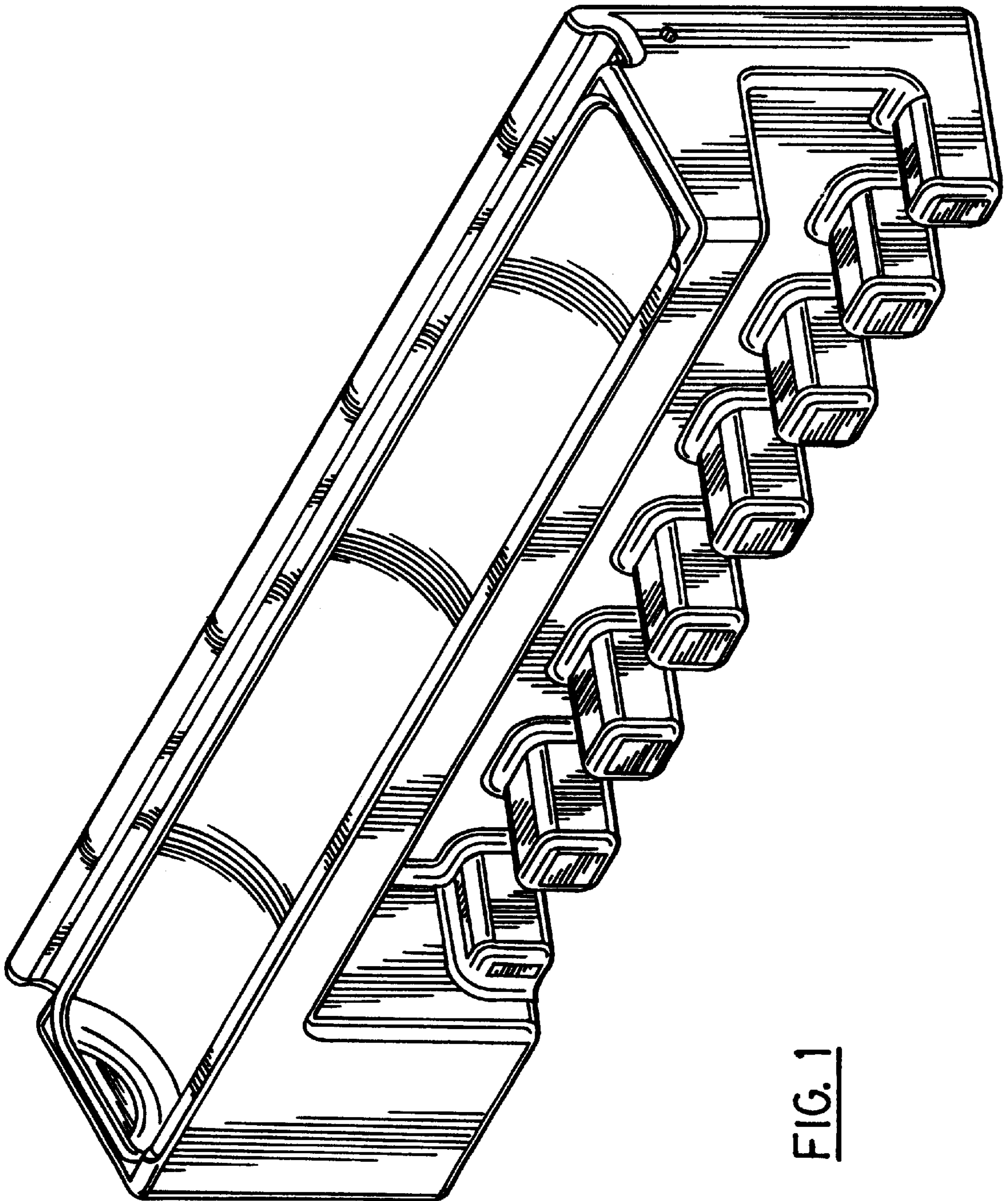


FIG. 1

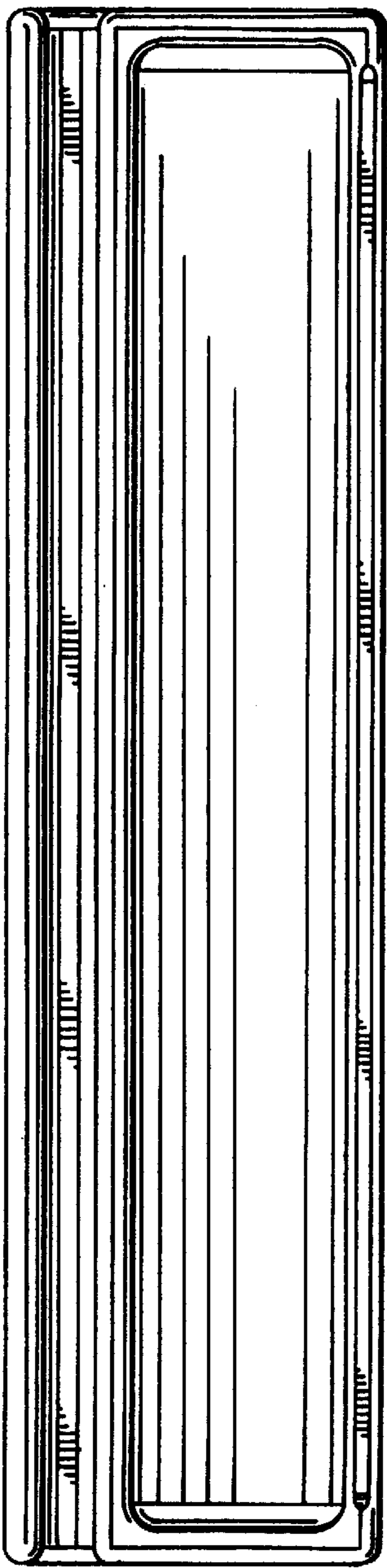


FIG. 2

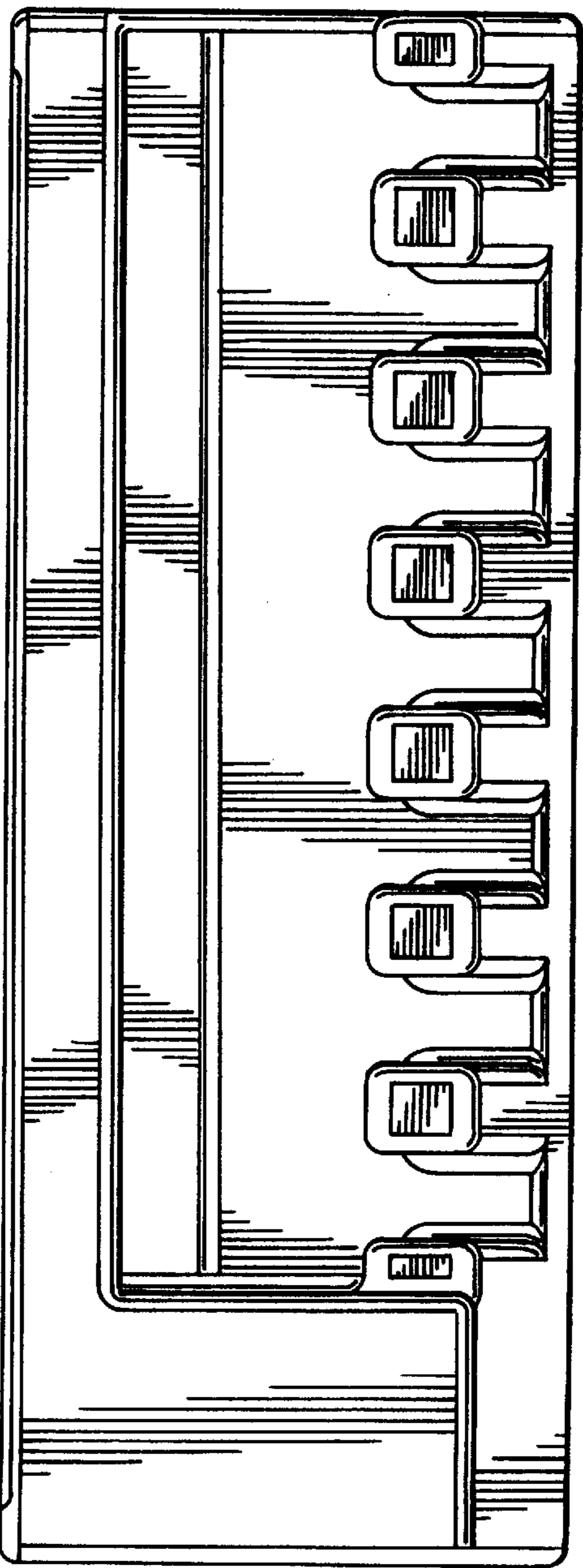


FIG. 3

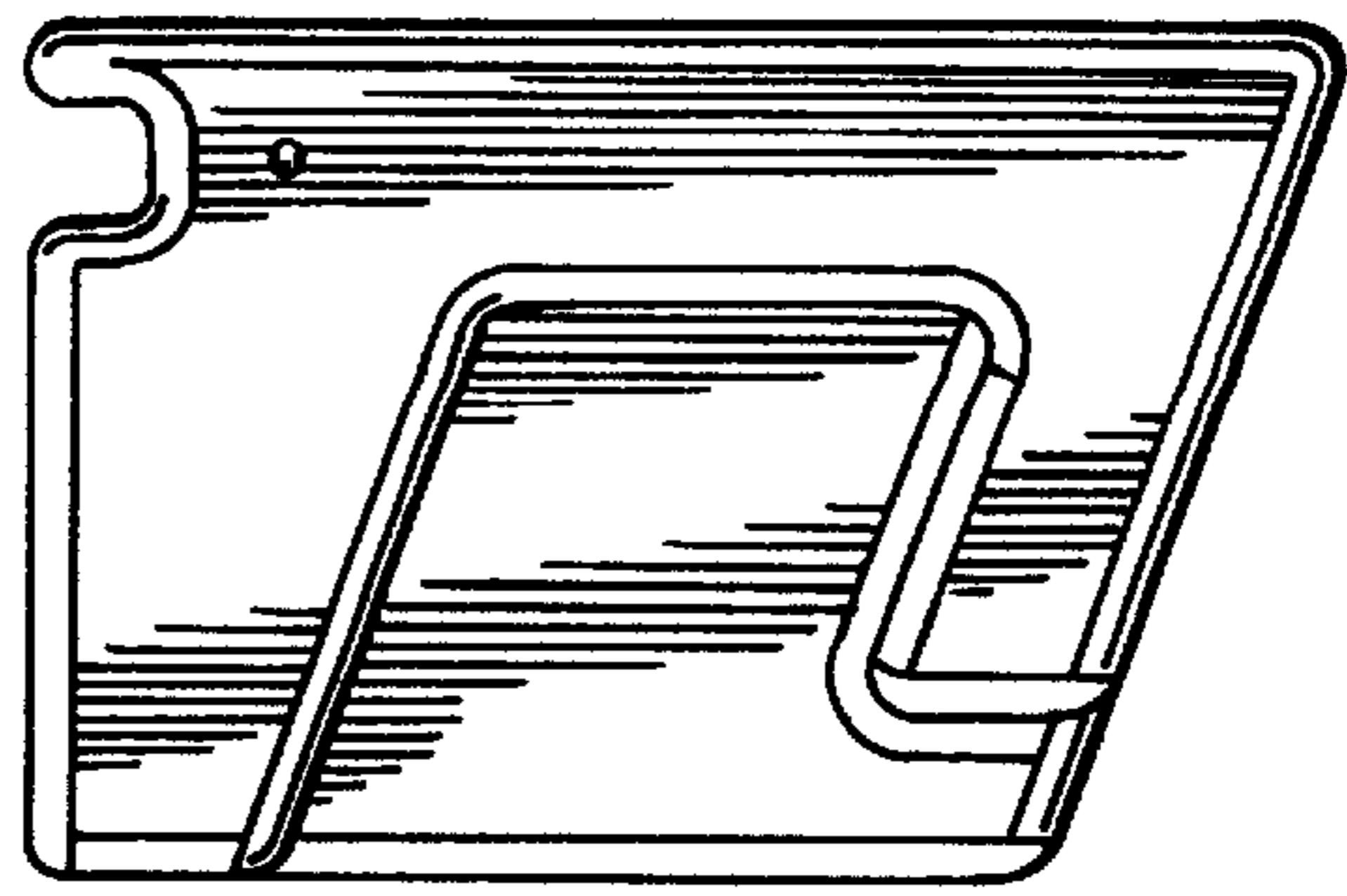


FIG. 4

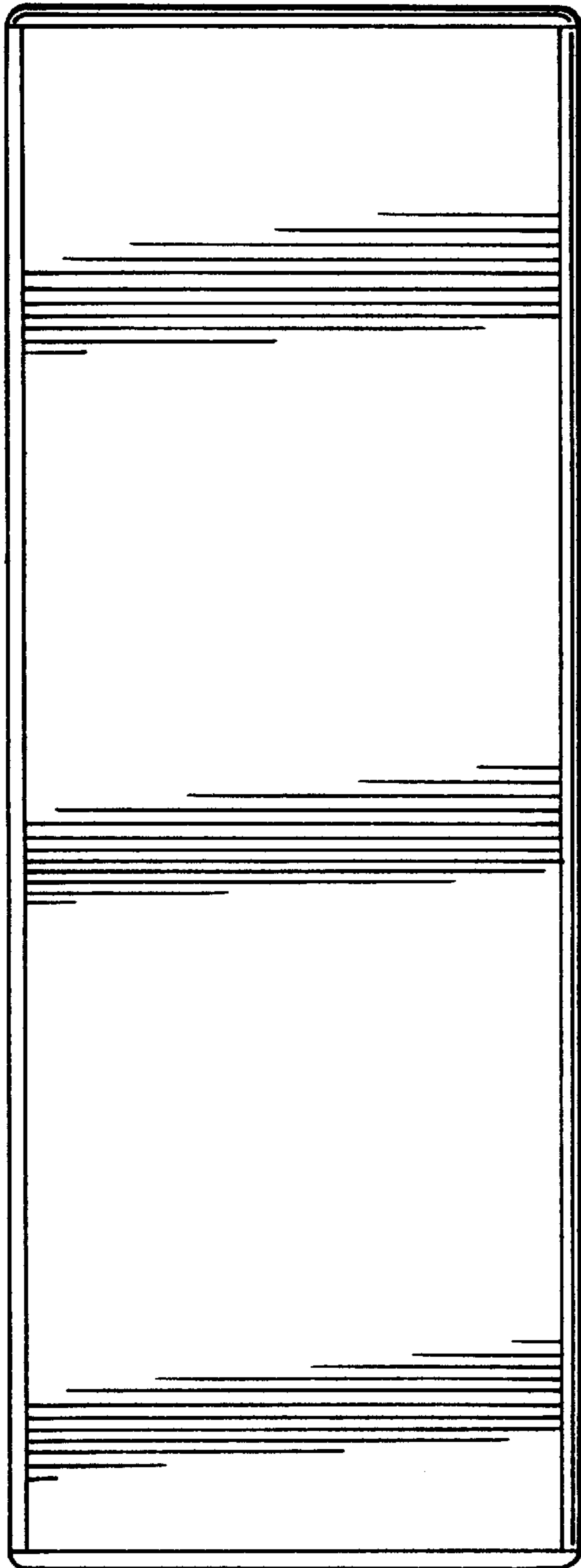


FIG. 5

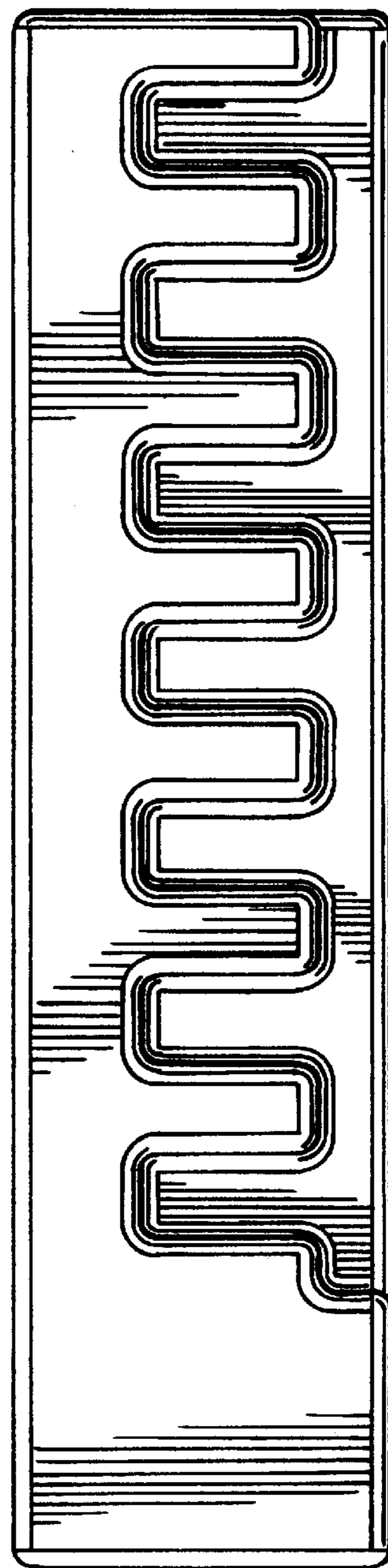


FIG. 6