



US00D451739B1

(12) **United States Design Patent**
Yeh

(10) **Patent No.:** **US D451,739 S**

(45) **Date of Patent:** **** Dec. 11, 2001**

(54) **TOWEL BAR SUPPORT**

(76) **Inventor:** **Hsien-Min Yeh**, 7F-2, No.2, Sec.2,
Chung Shan Road, Chang Hua City
(TW)

(**) **Term:** **14 Years**

(21) **Appl. No.:** **29/133,061**

(22) **Filed:** **Nov. 22, 2000**

(51) **LOC (7) Cl.** **06-04**

(52) **U.S. Cl.** **D6/550**

(58) **Field of Search** D6/546-50, 518,
D6/522-24; D8/300, 315-21, 354, 363,
373, 380; 108/28-29; 211/13.1, 16, 60.1,
86.01, 87.01, 88.04, 100, 105.1-105.2,
123, 181.1, 182; 248/175, 176.1, 251, 302;
16/110.1, 412, 415; 242/570, 590, 595-598;
206/389

(56) **References Cited**

U.S. PATENT DOCUMENTS

- D. 385,735 * 11/1997 Hundley et al. D6/524
- D. 417,989 * 12/1999 Moore et al. D6/524
- D. 431,139 * 9/2000 Chen D6/524

OTHER PUBLICATIONS

Paul Associates Catalogue p. 38, item 901 Hook.*
Baldwin Bath "Epic Accessories" Catalogue Palm Spring
bracket.*

* cited by examiner

Primary Examiner—Brian N. Vinson
(74) *Attorney, Agent, or Firm*—Dougherty & Troxell

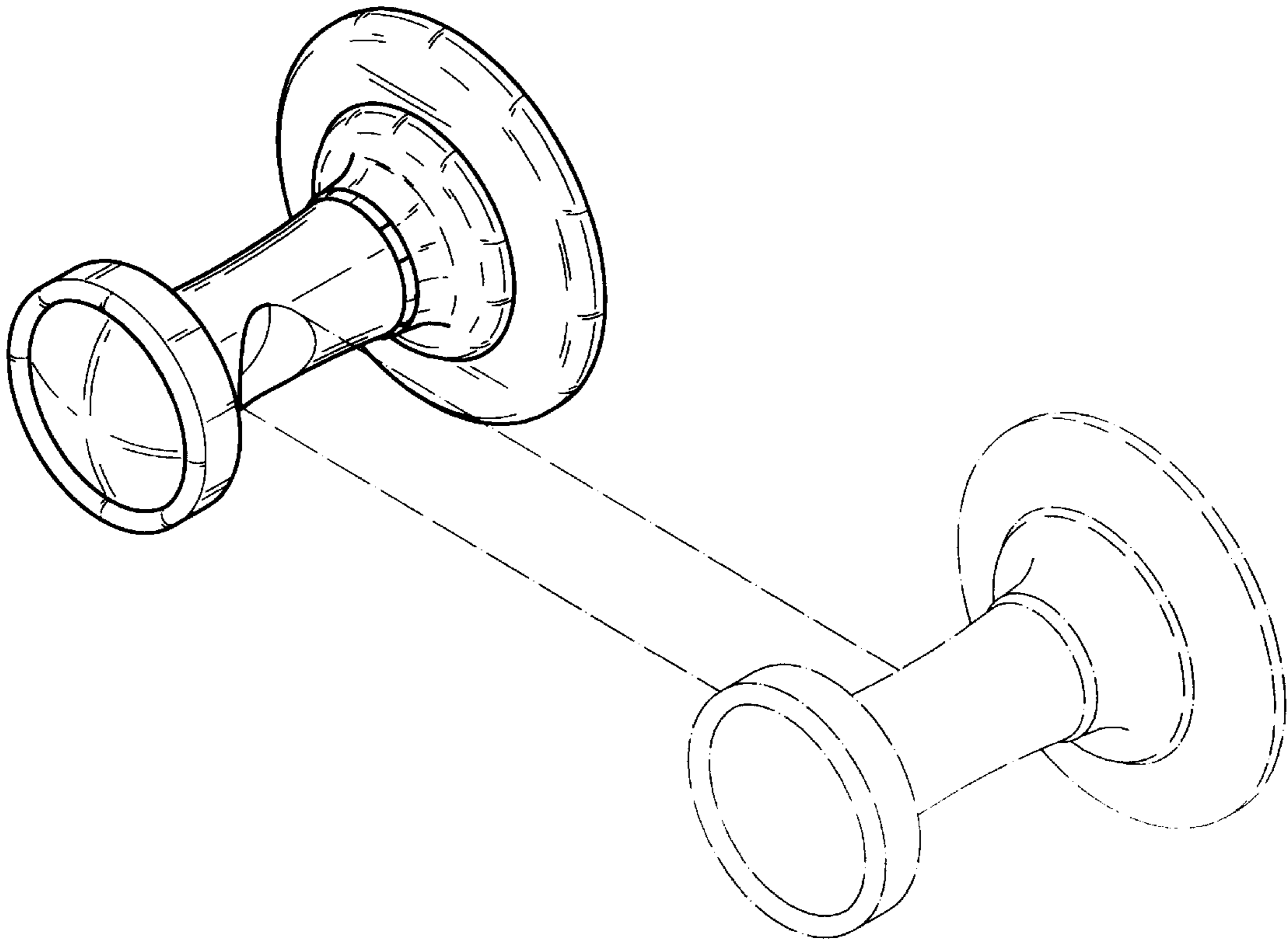
(57) **CLAIM**

The ornamental design for a towel bar support, as shown and
described.

DESCRIPTION

FIG. 1 is a front view of a towel bar support showing my
new design;
FIG. 2 is a rear view thereof;
FIG. 3 is a left view thereof;
FIG. 4 is a right view thereof;
FIG. 5 is a top view thereof;
FIG. 6 is a bottom view thereof;
FIG. 7 is an elevational view thereof; and,
FIG. 8 is a perspective view thereof, the broken-line dis-
closure of the second support and the towel bar are for
illustrative purposes only and form no part of the claimed
design.

1 Claim, 3 Drawing Sheets



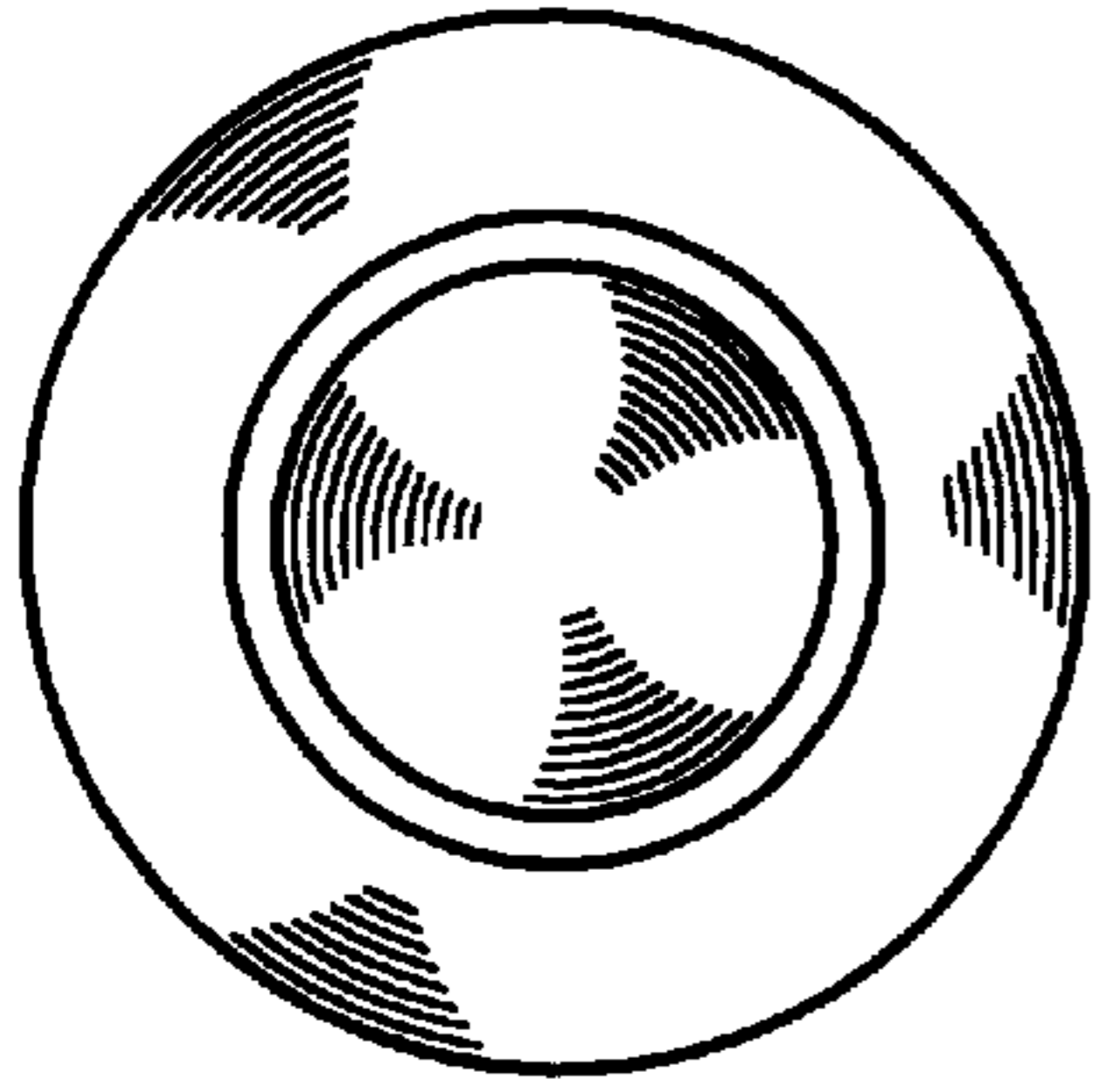


FIG5

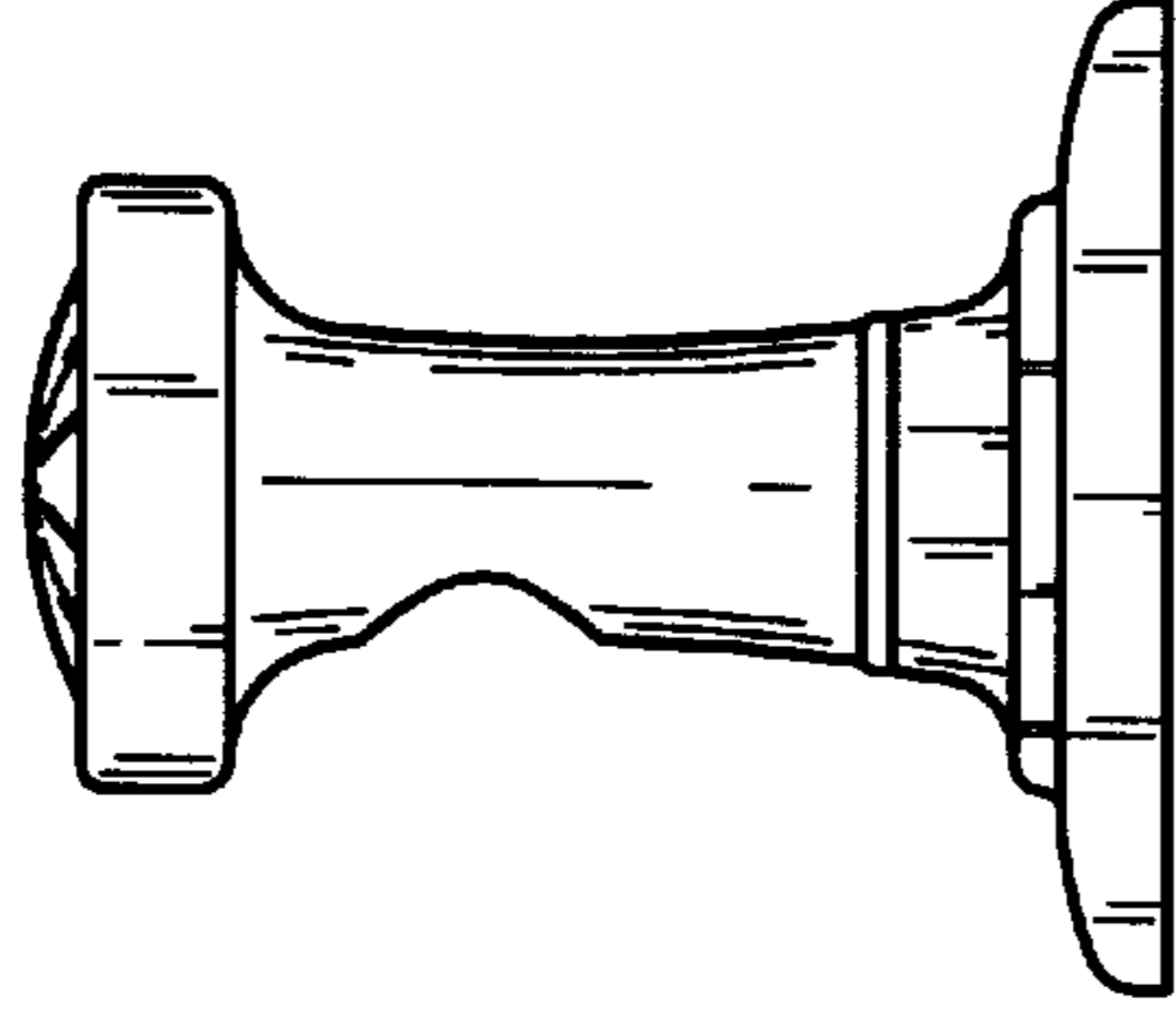


FIG4

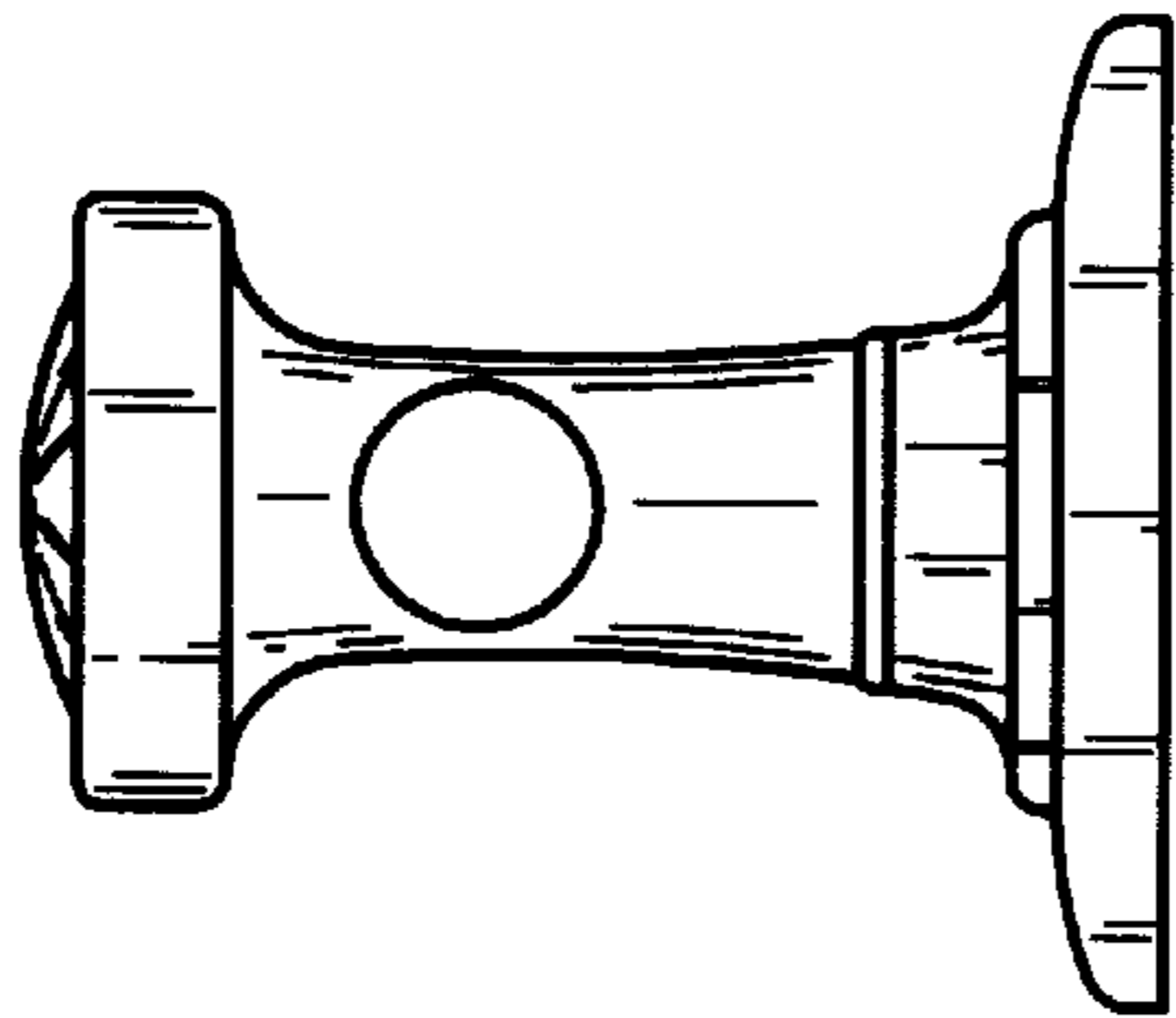


FIG1

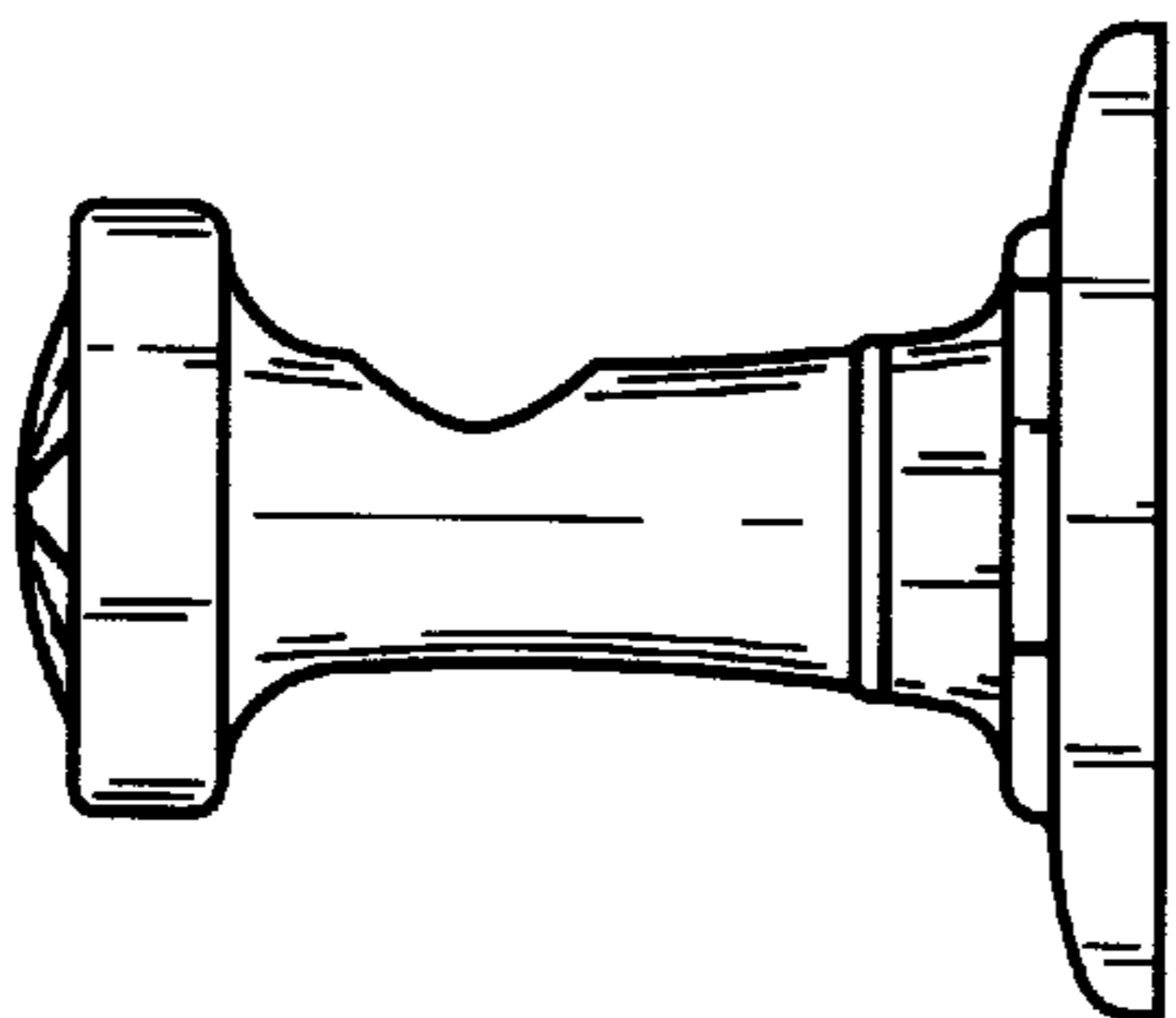


FIG3

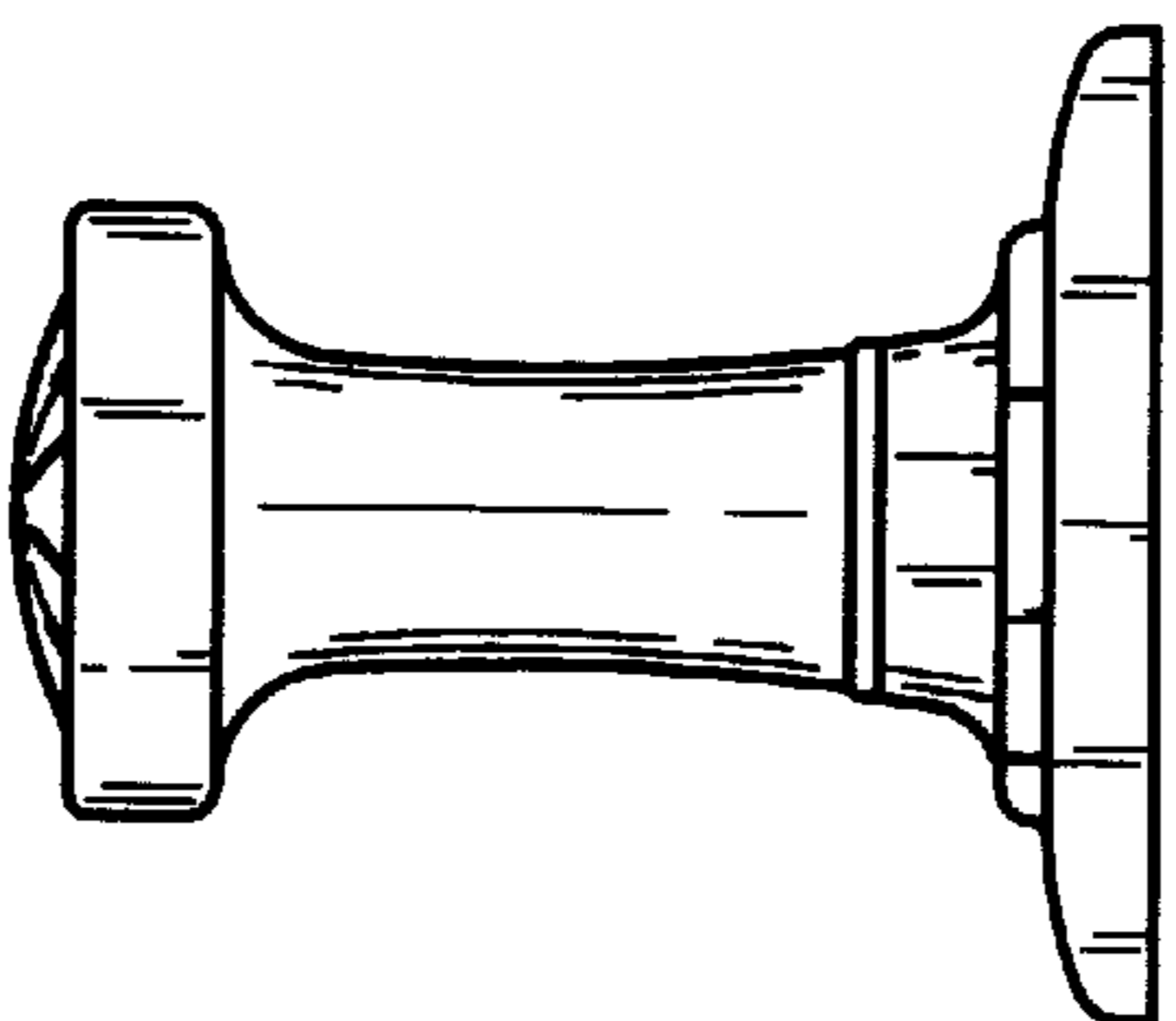


FIG2

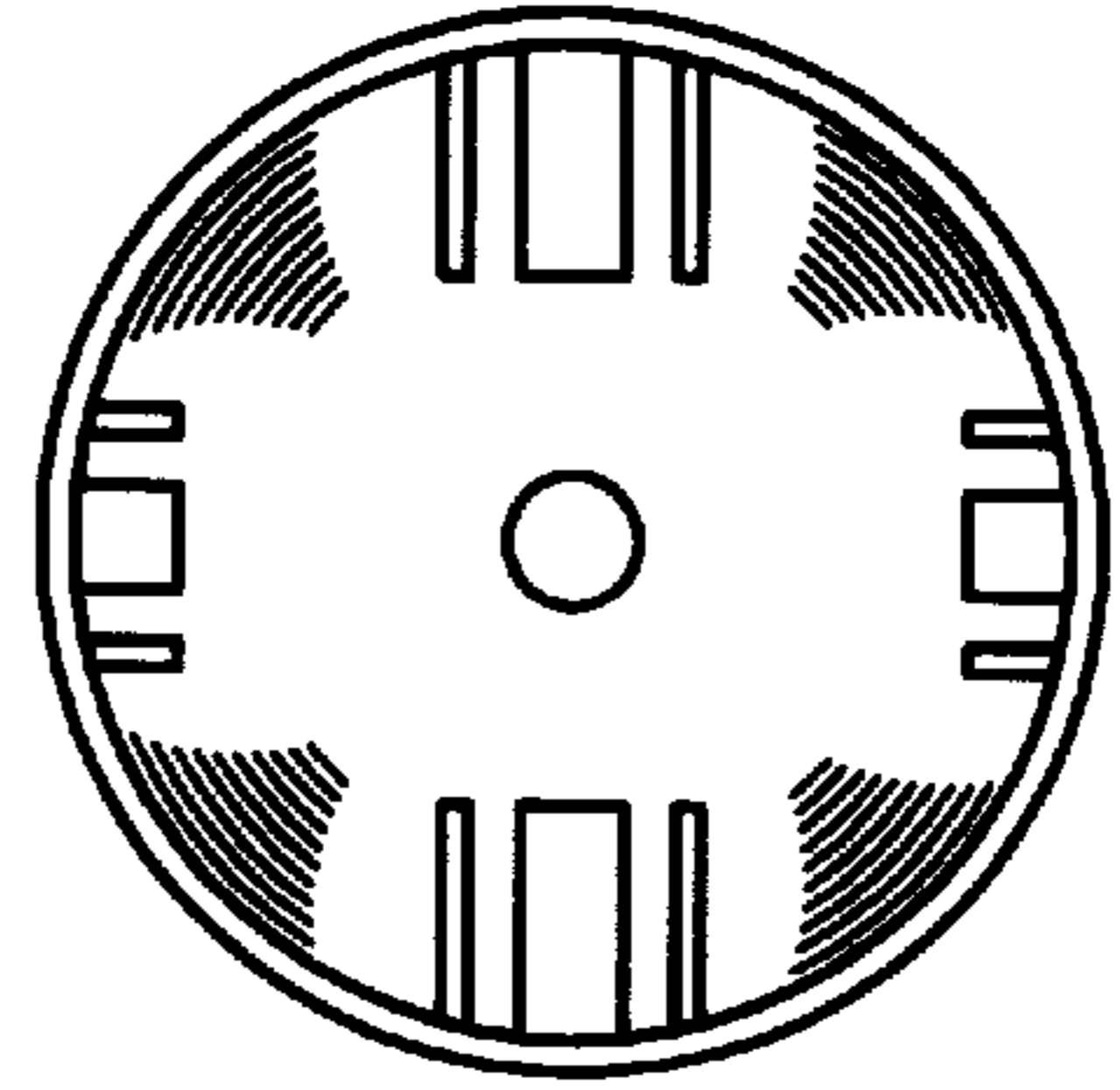


FIG6

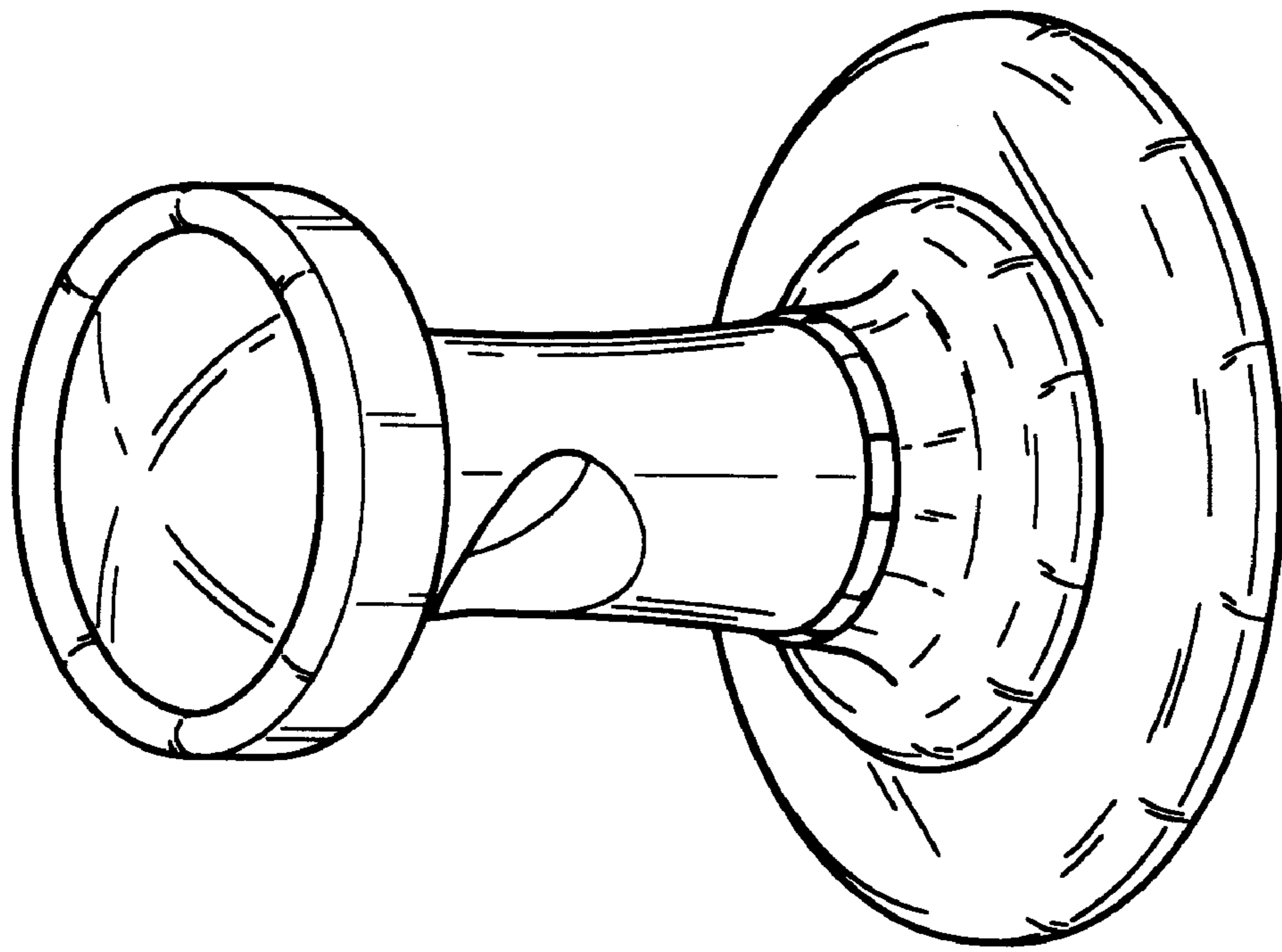


FIG 7

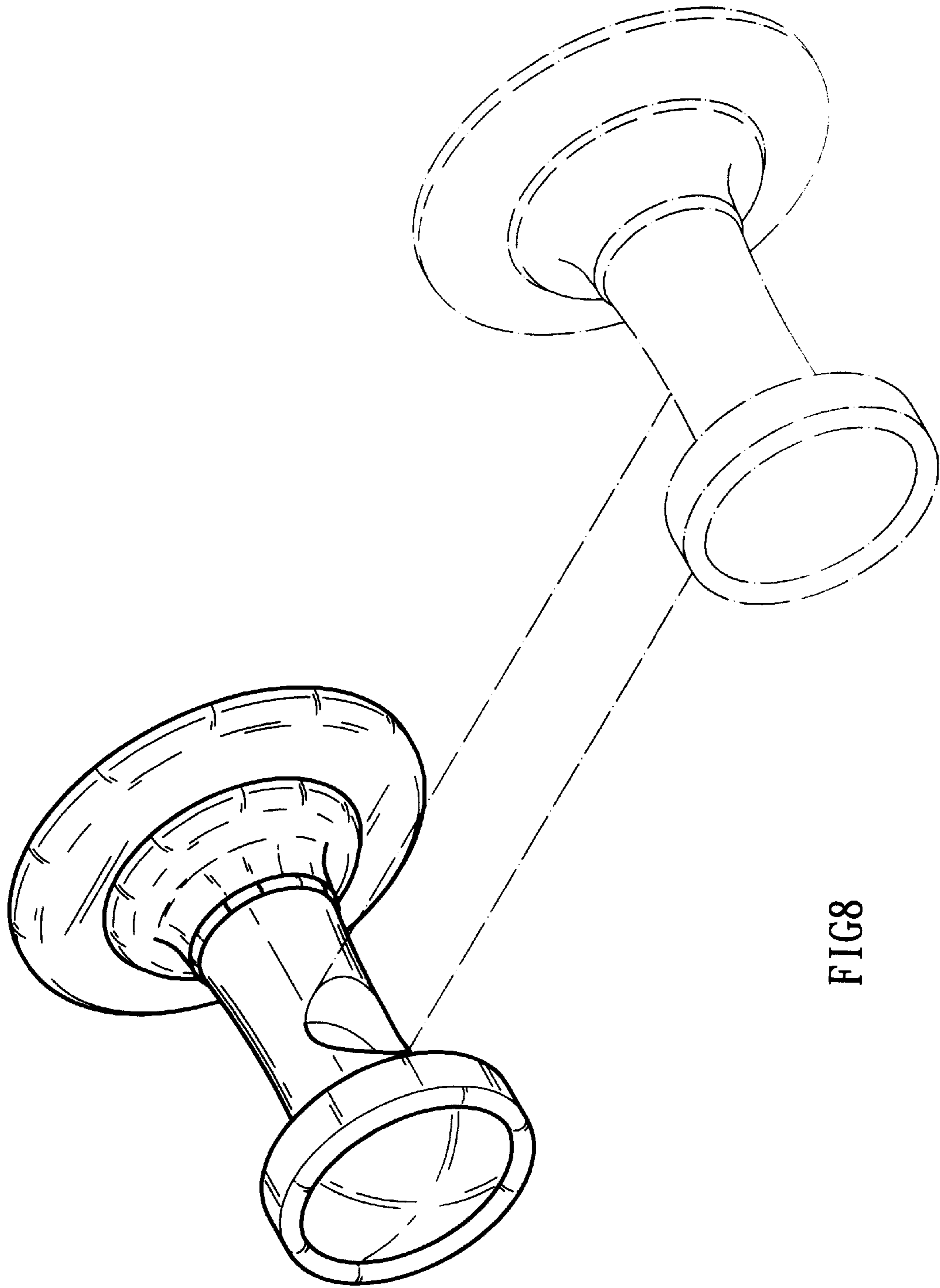


FIG8