



US00D451737B1

(12) **United States Design Patent**  
**Chen**

(10) **Patent No.:** **US D451,737 S**

(45) **Date of Patent:** **\*\* Dec. 11, 2001**

(54) **BATHROOM ARTICLE SUPPORT POST FOR TOWEL BARS AND THE LIKE**

*Primary Examiner*—Brian N. Vinson  
(74) *Attorney, Agent, or Firm*—Charles E. Baxley

(76) **Inventor:** **Lien-Fu Chen**, No. 11, Lane 66,  
Fu-Dong Street, Fu-Shan Li, Chang-Hua  
City (TW)

(57) **CLAIM**

The ornamental design for a bathroom article support post for towel bars and the like, as shown and described.

(\*\*) **Term:** **14 Years**

**DESCRIPTION**

(21) **Appl. No.:** **29/129,252**

FIG. 1 is a top, front, and right side perspective view of a bathroom article support post for towel bars and the like showing my new design;

(22) **Filed:** **Sep. 12, 2000**

FIG. 2 is a front elevational view thereof;

(51) **LOC (7) Cl.** ..... **06-04**

FIG. 3 is a rear elevational view thereof;

(52) **U.S. Cl.** ..... **D6/550; D6/524**

FIG. 4 is a left side elevational view thereof;

(58) **Field of Search** ..... D6/546-50, 518,

FIG. 5 is a right side elevational view thereof;

D6/522-24; D8/300, 315-21, 354, 363,

FIG. 6 is a top plan view thereof;

373, 380; 108/28-29; 211/13.1, 16, 60.1,

FIG. 7 is a bottom plan view thereof;

86.01, 87.01, 88.04, 100, 105.1-105.2,

FIG. 8 is a top, front, and right side perspective view thereof,

123, 181.1, 182; 248/175, 176.1, 251, 302;

with the broken-line disclosure of a towel bar being for illustrative purposes only and forming no part of the claimed design;

16/110.1, 412, 415; 242/570, 590, 595-598;

FIG. 9 is a top, front, and right side perspective view thereof,

206/389

with the broken-line disclosure of a towel bar and display plate being for illustrative purposes only and forming no part of the claimed design;

(56) **References Cited**

**U.S. PATENT DOCUMENTS**

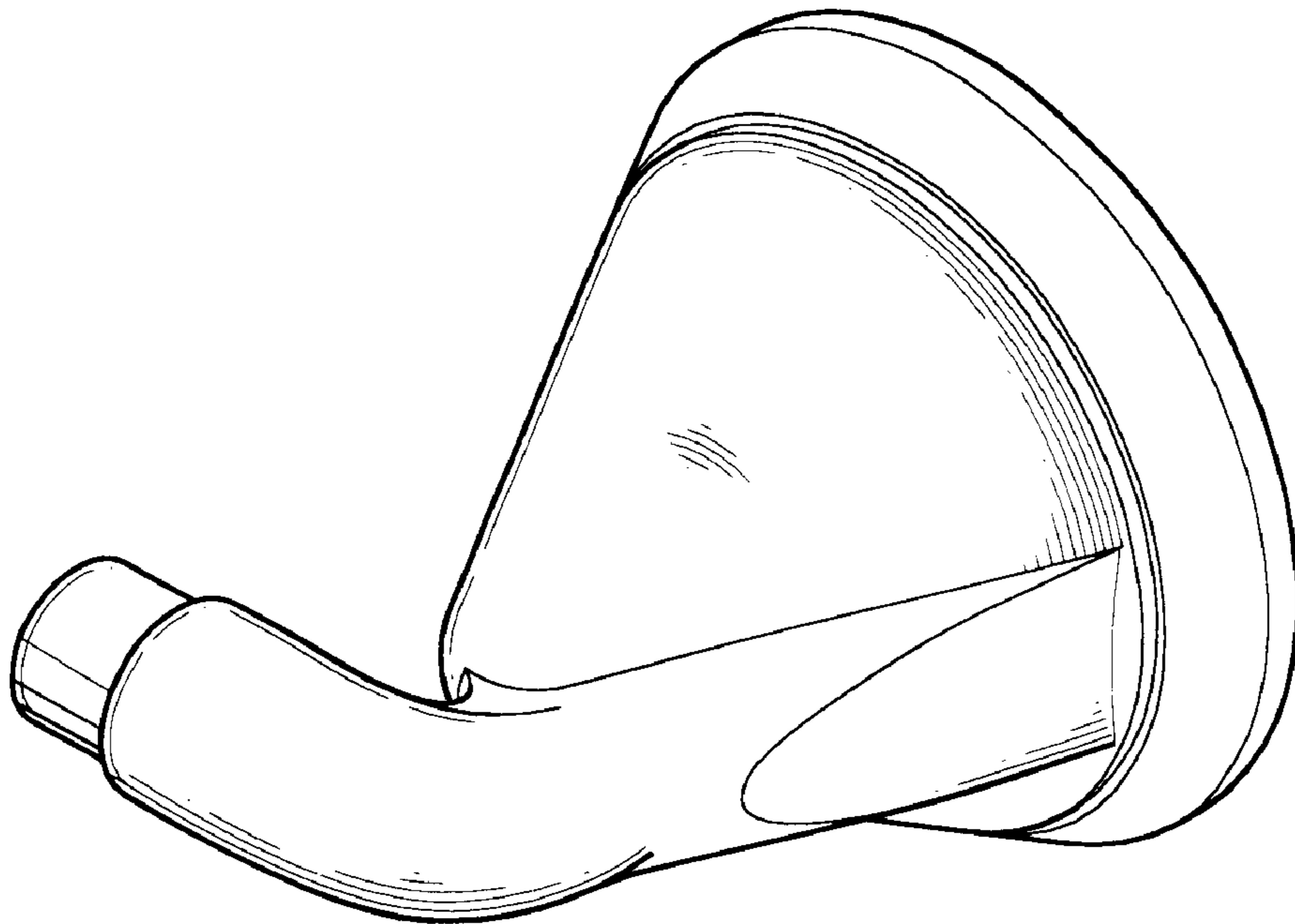
D. 337,230	*	7/1993	Wang	.....	D6/550
D. 388,644	*	1/1998	Chen	.....	D6/550
D. 391,831	*	3/1998	Doughty et al.	.....	D8/321
D. 394,971	*	6/1998	Moore	.....	D6/550
D. 416,419	*	11/1999	Chen	.....	D6/550
D. 418,345	*	1/2000	Chen	.....	D6/550
D. 424,346	*	5/2000	Chen	.....	D6/524
D. 432,840	*	10/2000	Solowiej	.....	D6/549
D. 433,618	*	11/2000	Bredemeier	.....	D8/363

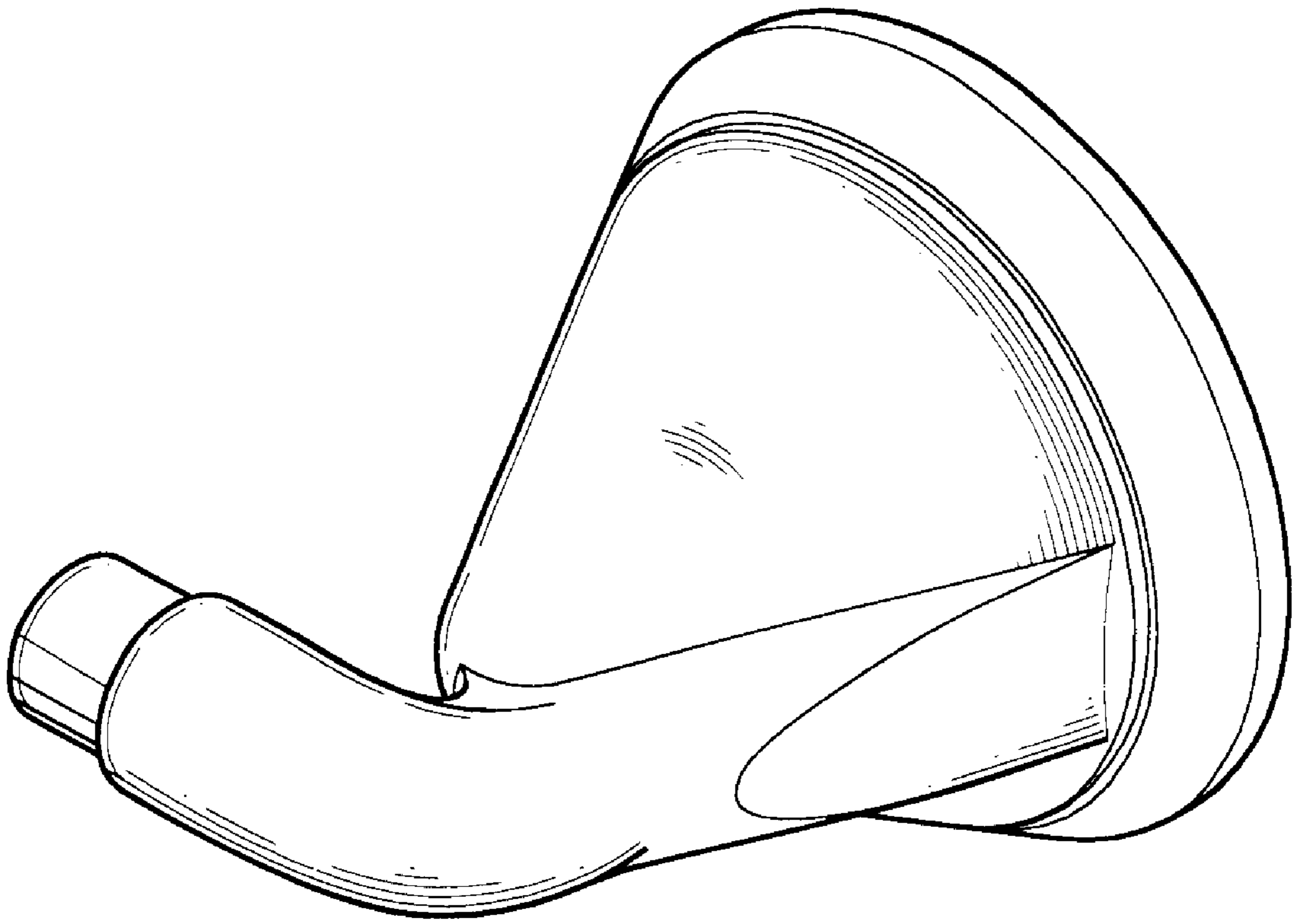
FIG. 10 is a reduced top, front, and right side perspective view of a second embodiment thereof, with the broken-line disclosure of a towel bar being for illustrative purposes only and forming no part of the claimed design; and,

FIG. 11 is a reduced top, front, and right side perspective view of a third embodiment thereof, with the broken-line disclosure of a display plate being for illustrative purposes only and forming no part of the claimed design.

\* cited by examiner

**1 Claim, 8 Drawing Sheets**





**FIG. 1**

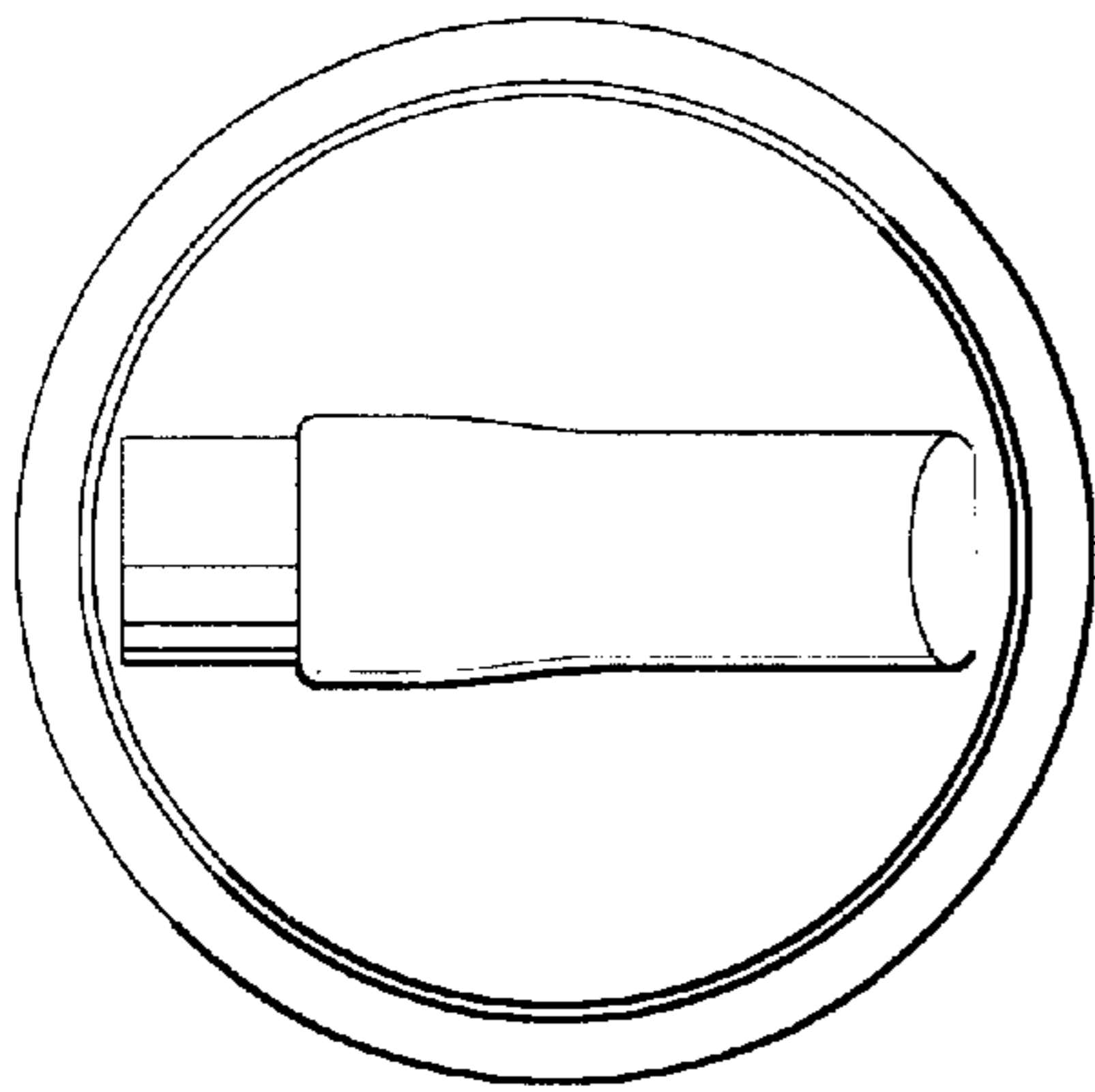


FIG. 2

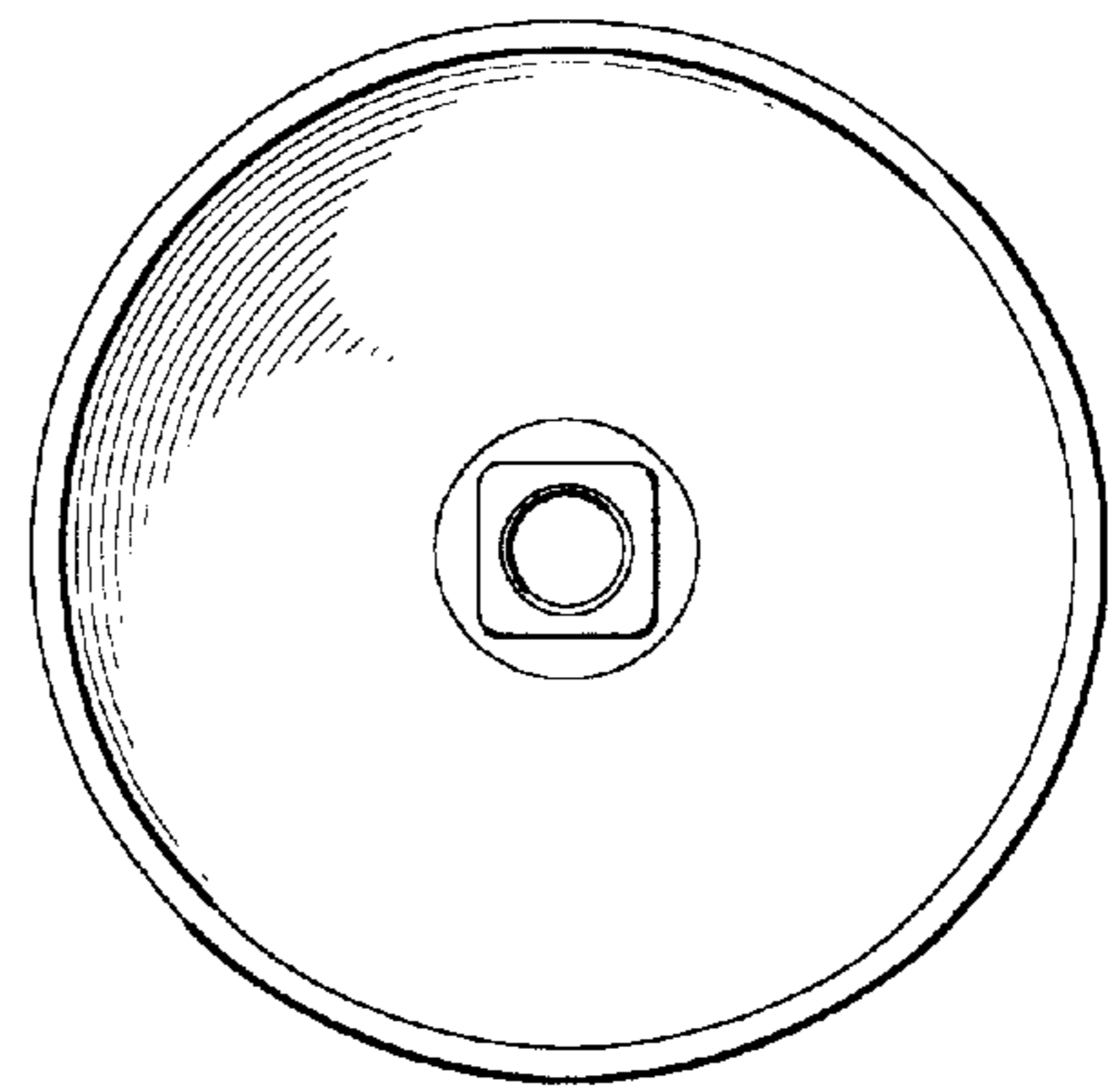


FIG. 3

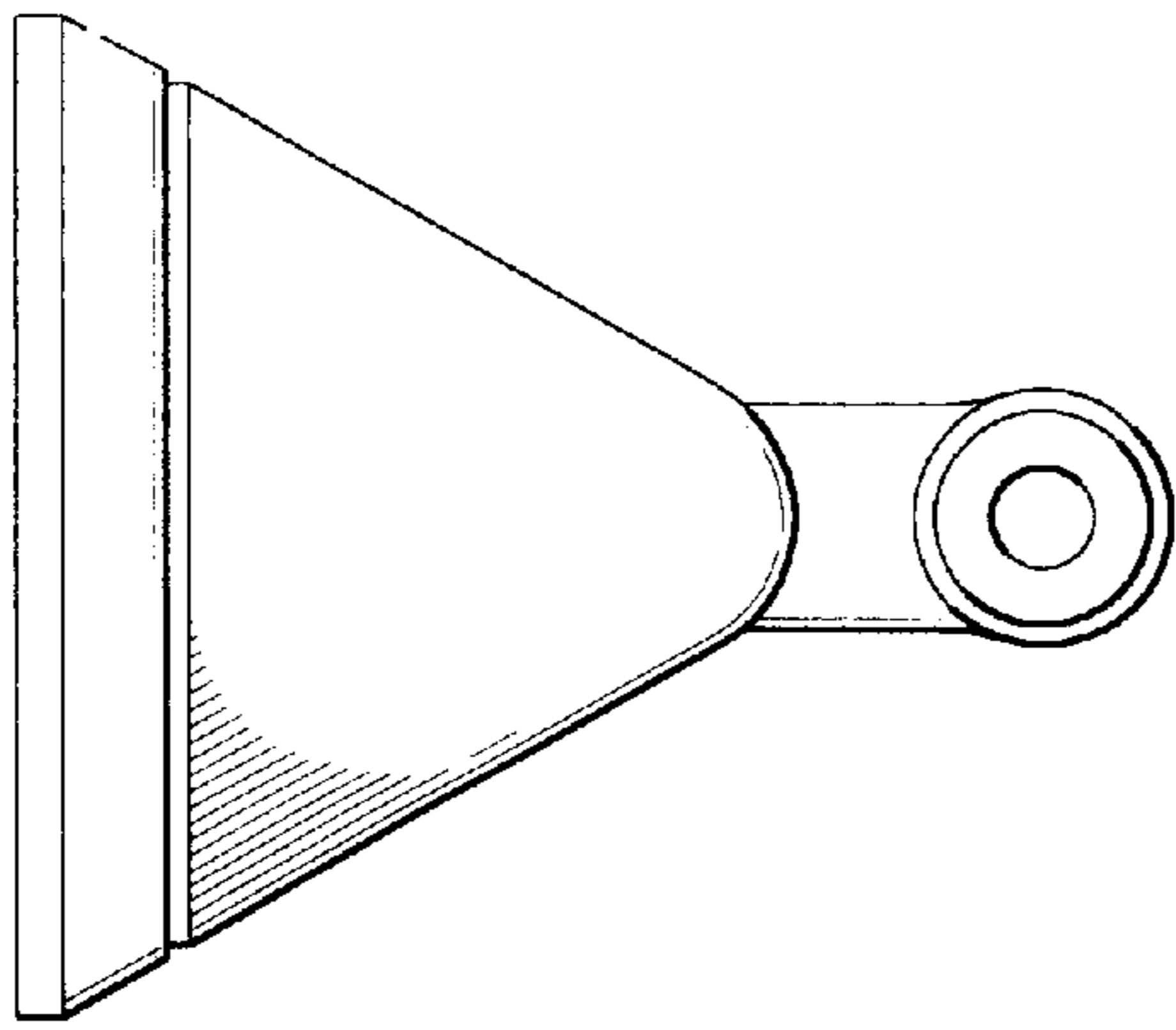


FIG. 4

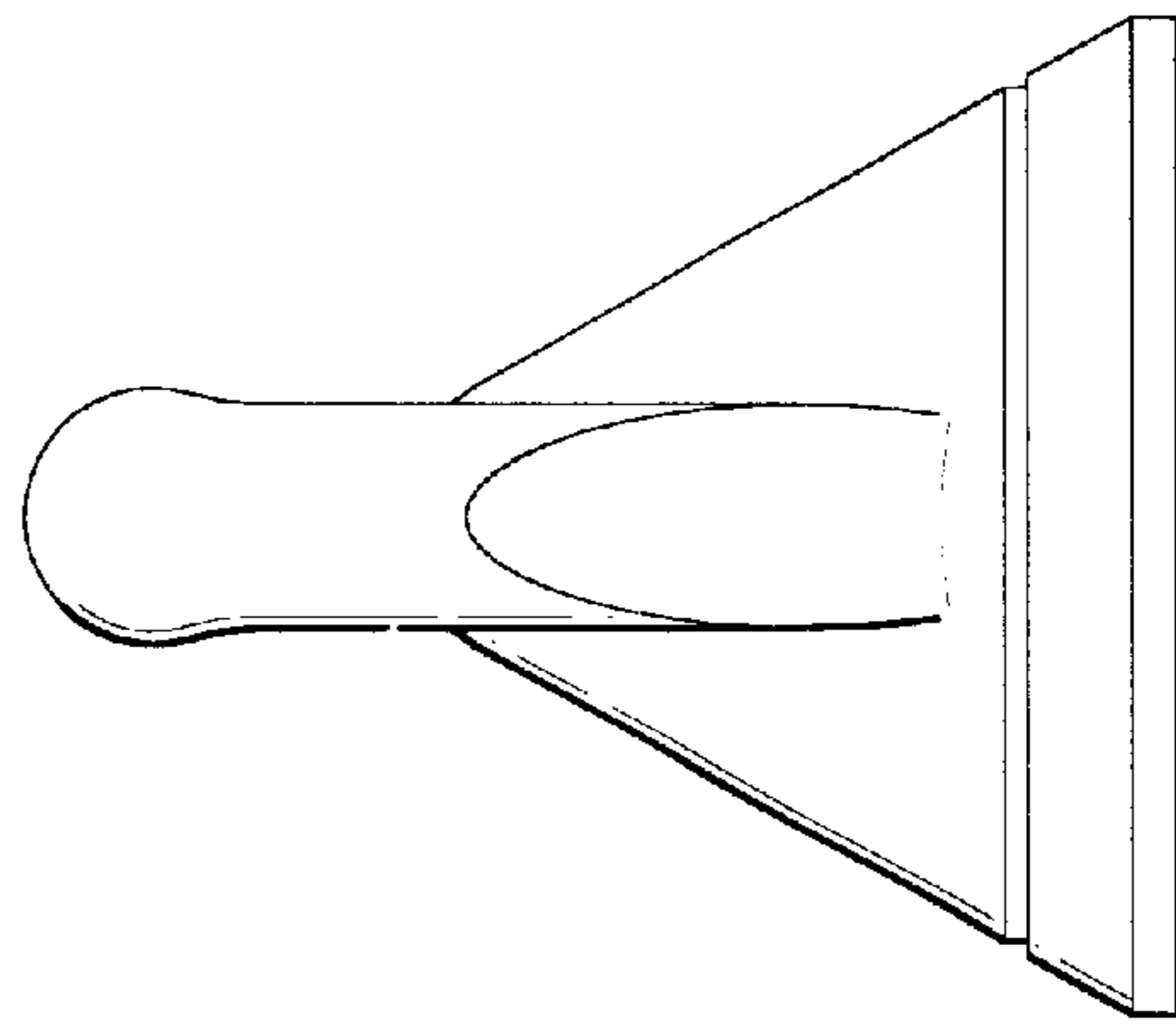


FIG. 5

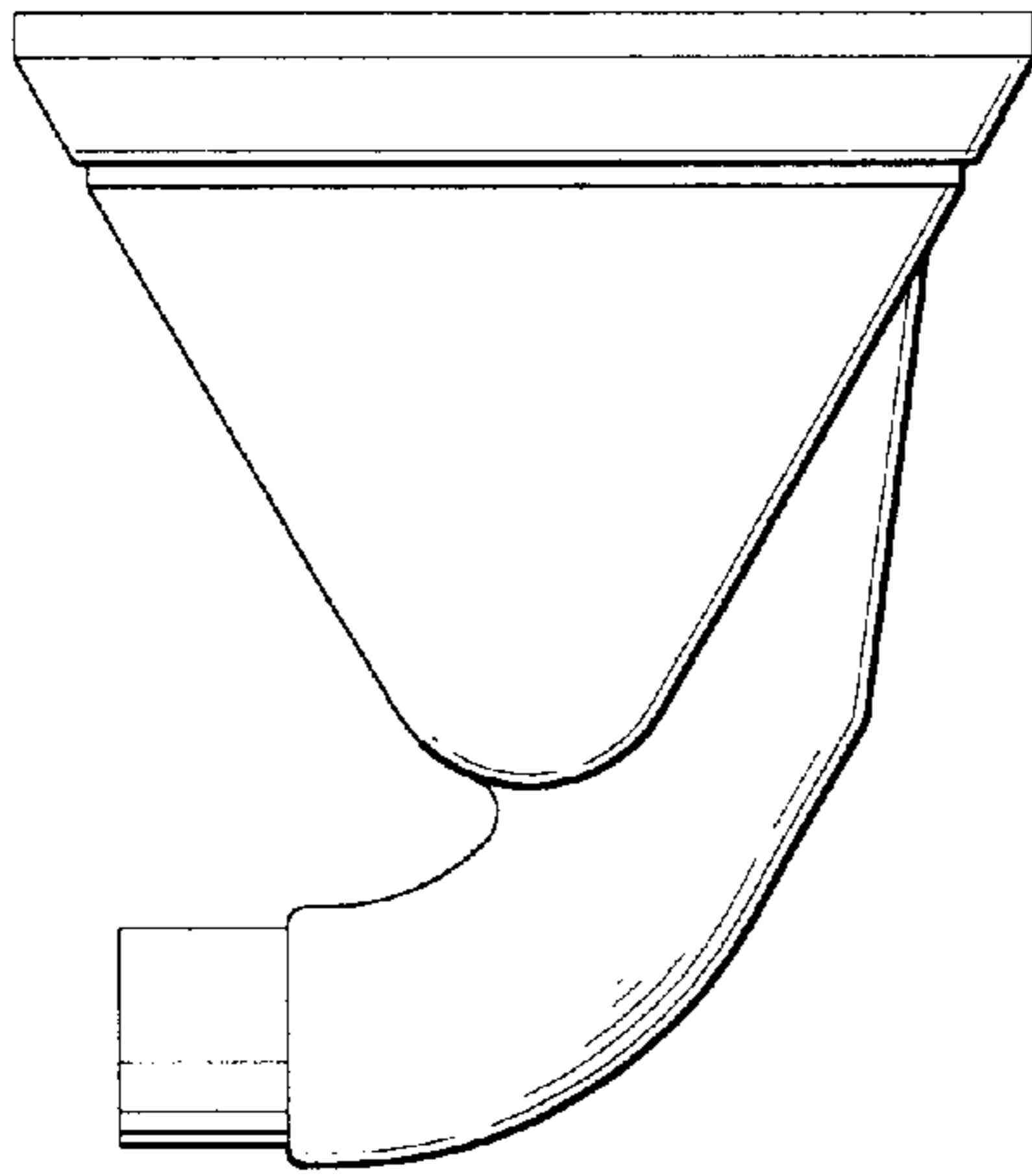


FIG. 6

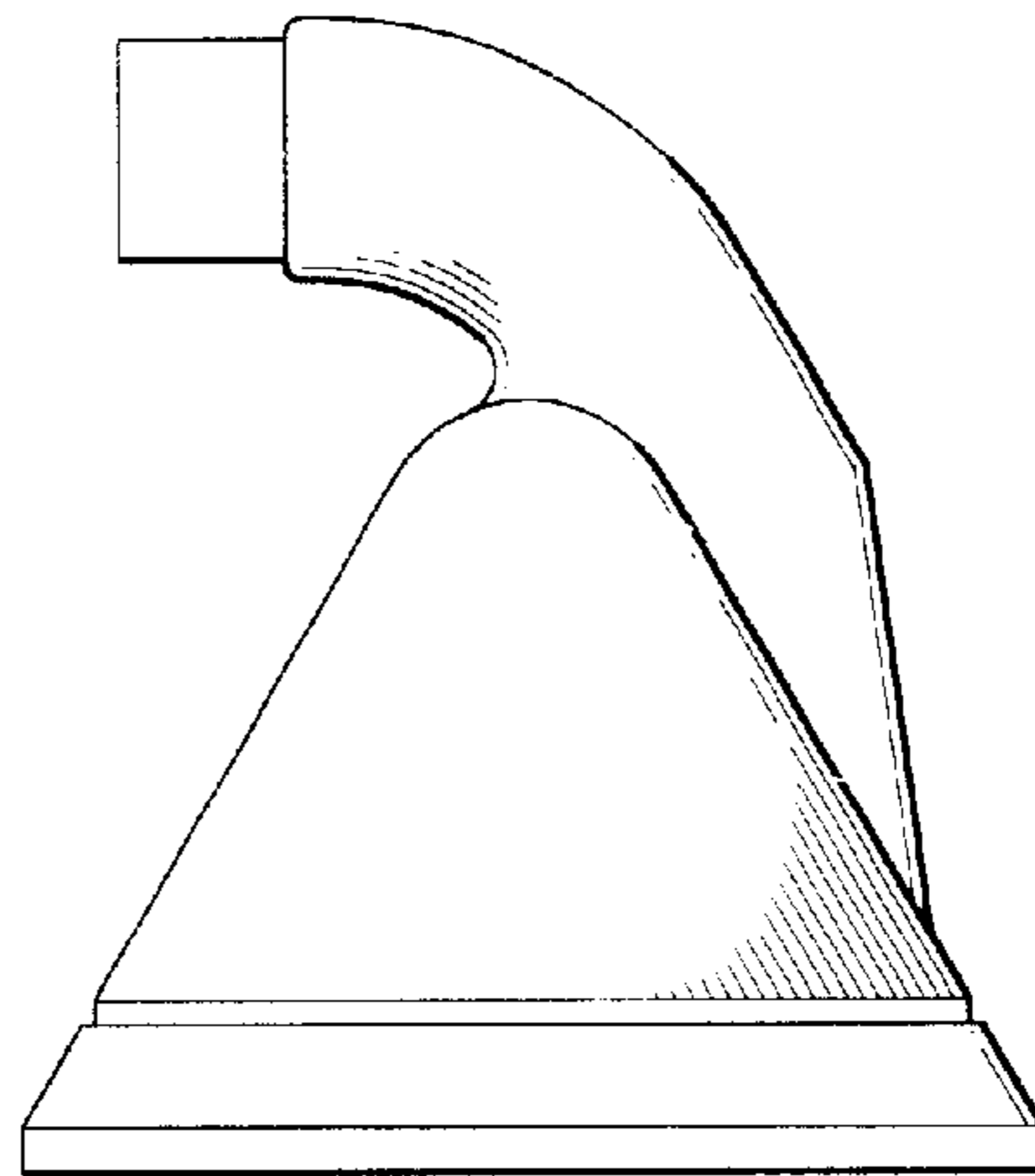


FIG. 7

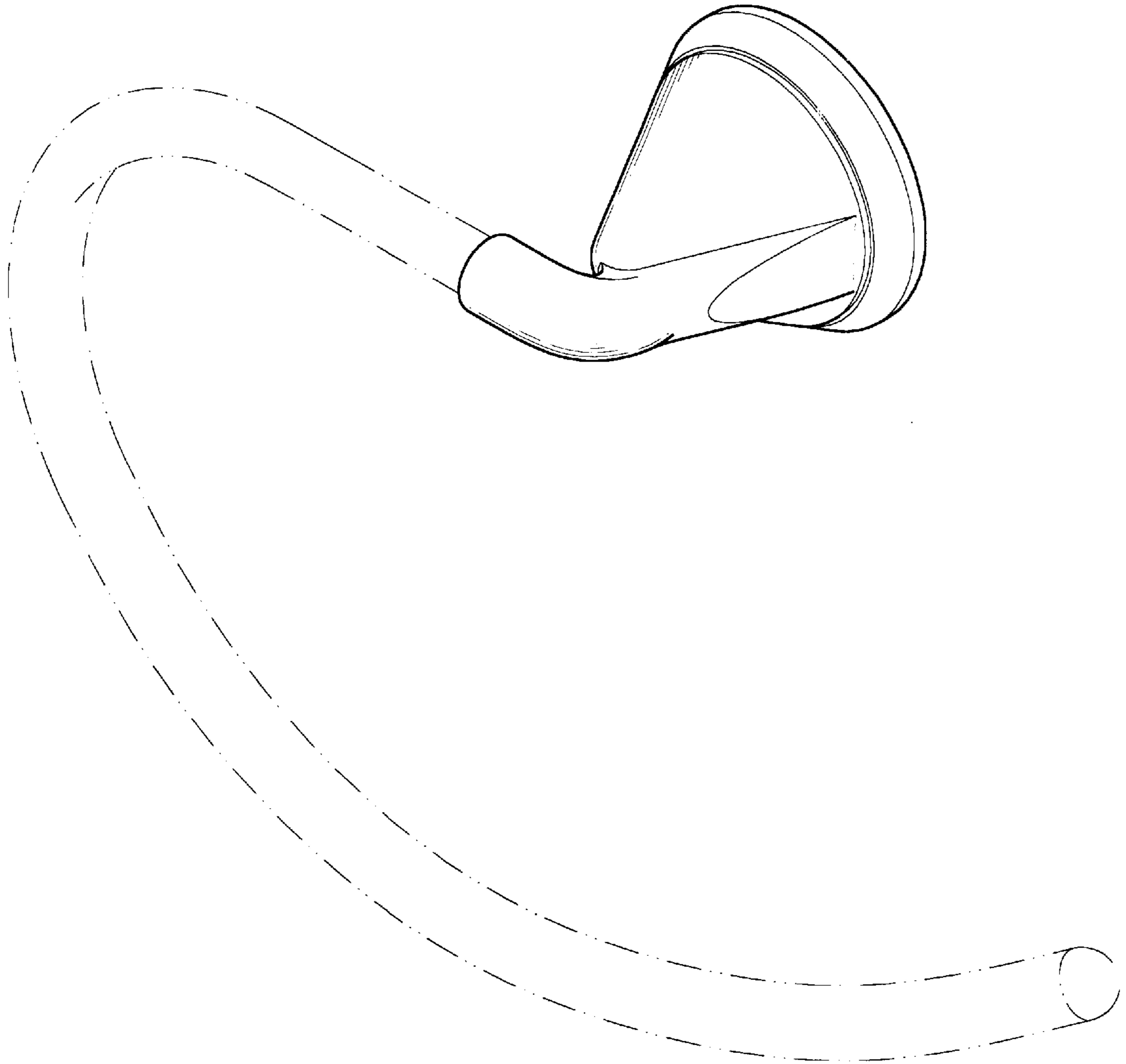


FIG. 8

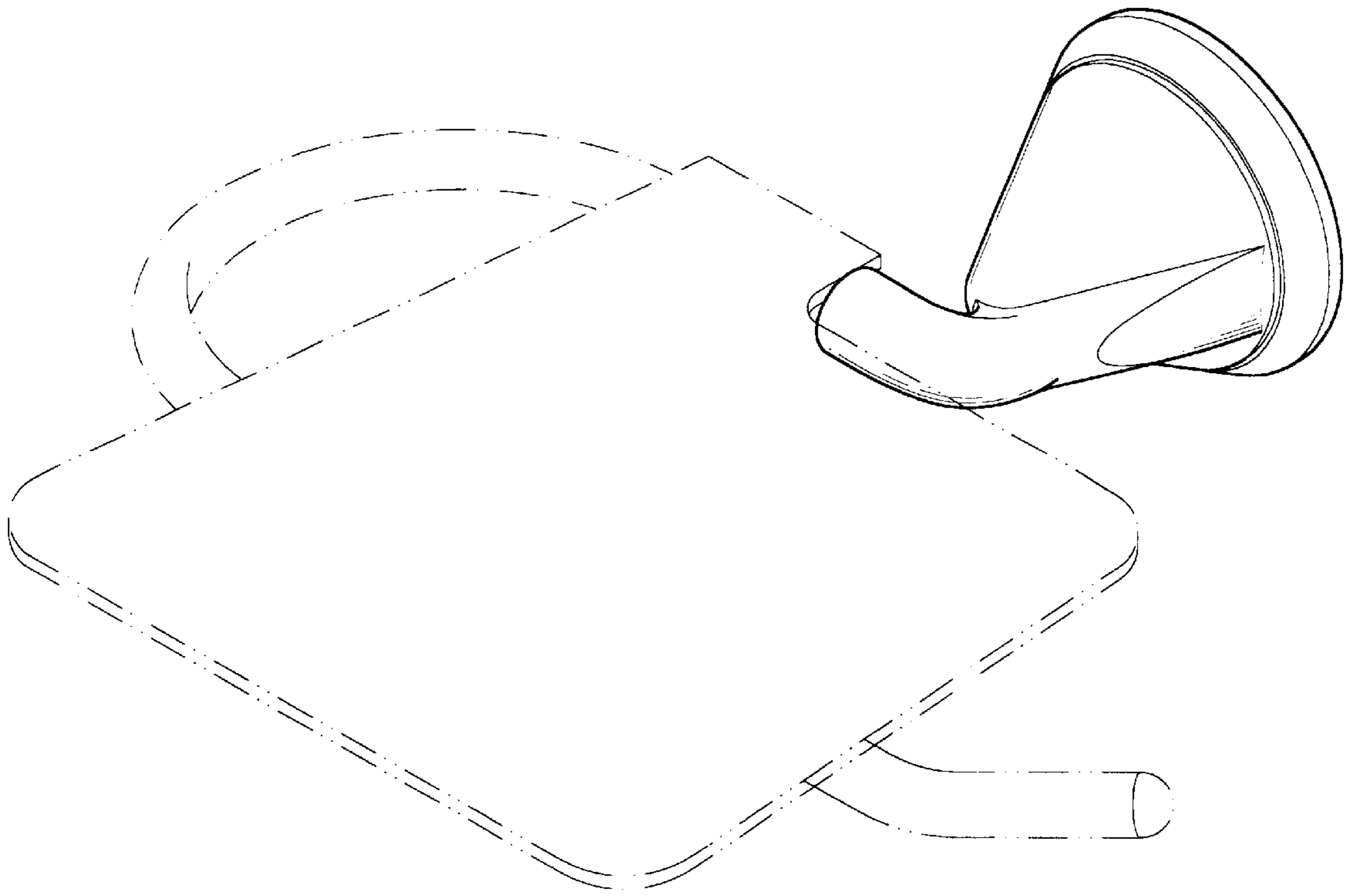


FIG. 9

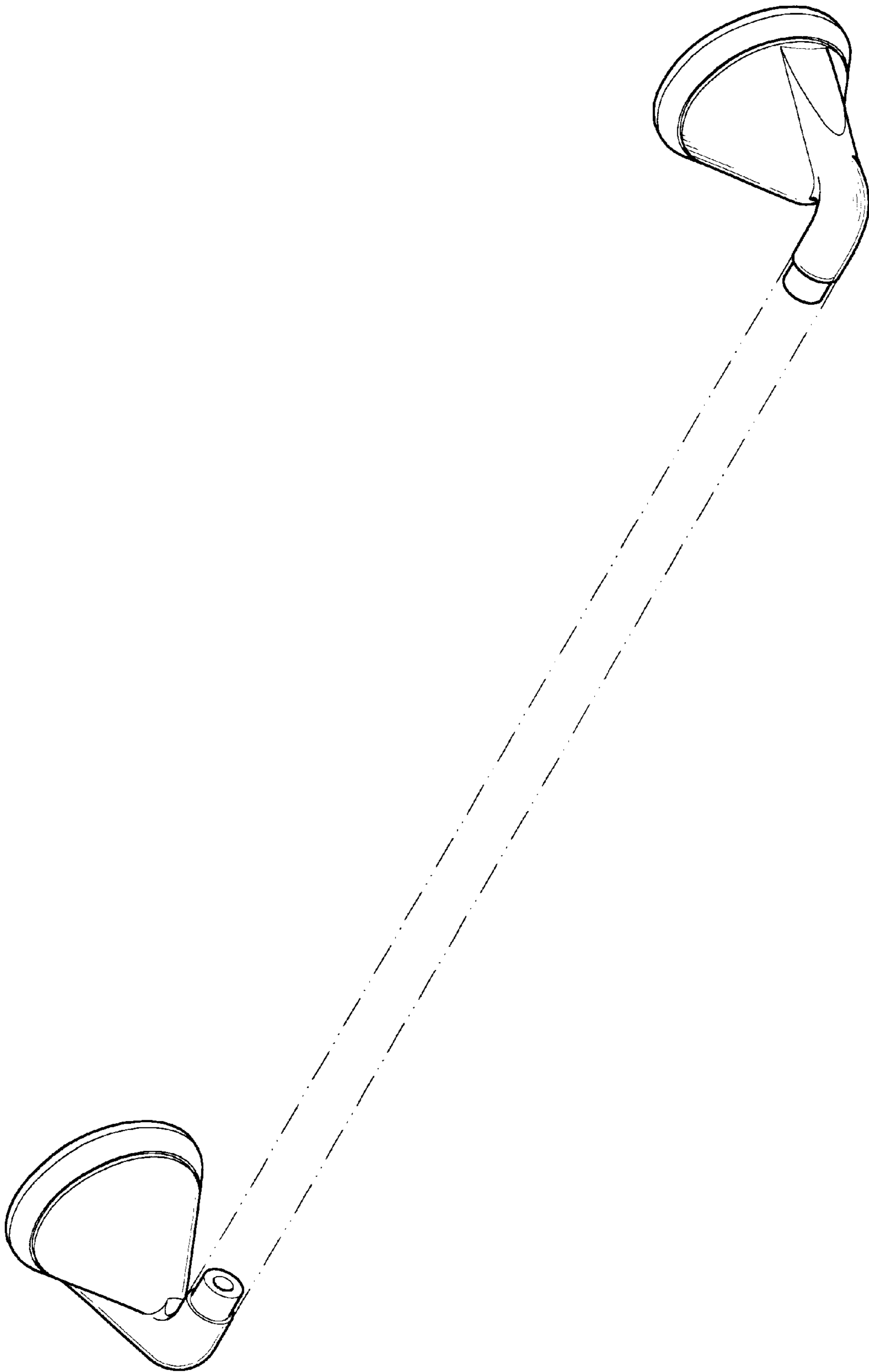


FIG. 10



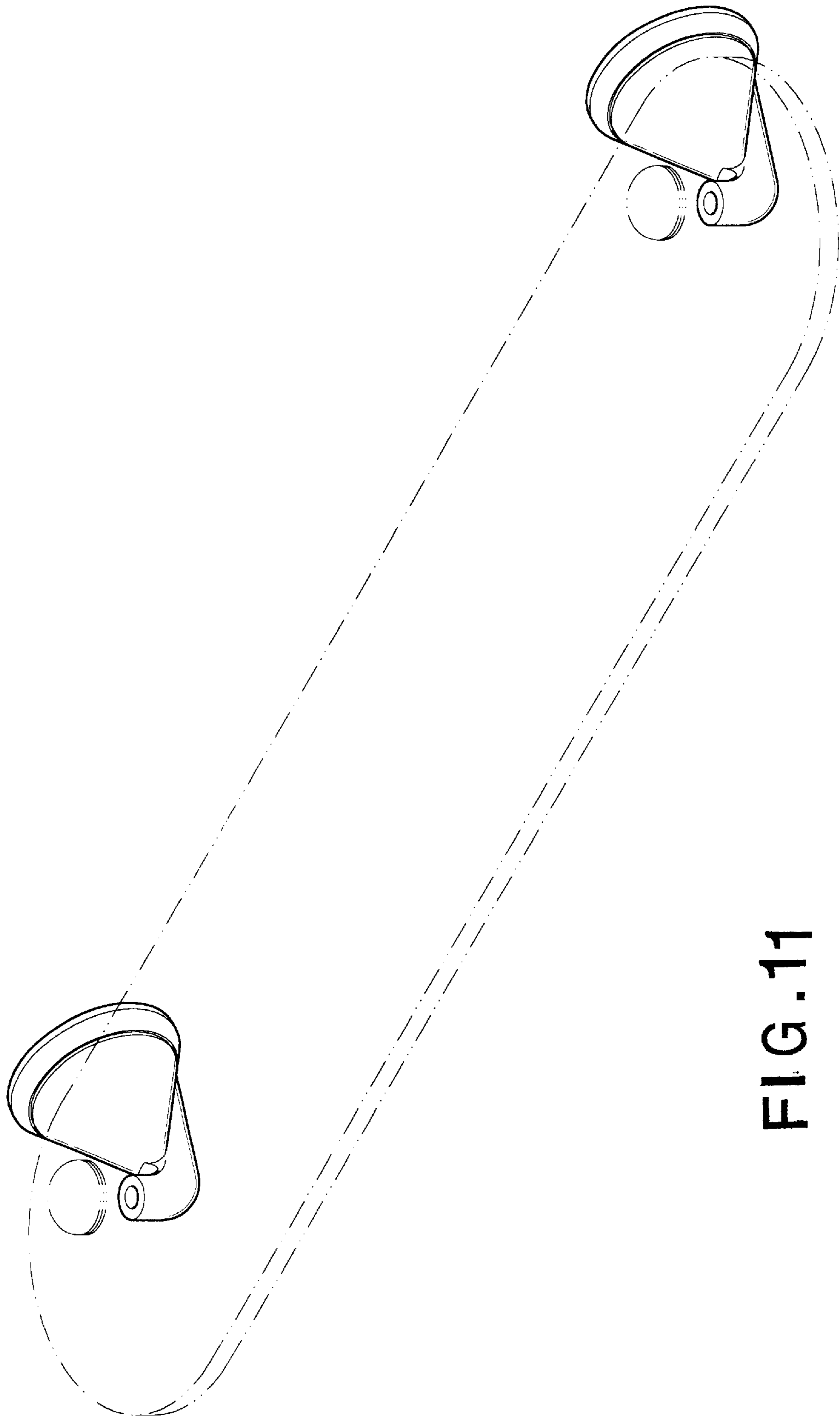


FIG. 11