



US00D451736B1

(12) **United States Design Patent**
Mast et al.

(10) **Patent No.:** **US D451,736 S**

(45) **Date of Patent:** **** Dec. 11, 2001**

(54) **DISPENSER FOR LIQUID**

(75) Inventors: **Rex Mast**, Wooster; **Martin J. O'Toole**, Chagrin Falls; **Aaron R. Reynolds**, Austintown, all of OH (US); **Jeffrey T. Maddox**, Austin, TX (US); **William Brazis**, Medina; **Roger Ramsey**, Akron, both of OH (US)

(73) Assignee: **Joseph S. Kanfer**, Richfield, OH (US)

(**) Term: **14 Years**

(21) Appl. No.: **29/138,567**

(22) Filed: **Mar. 19, 2001**

Related U.S. Application Data

(63) Continuation-in-part of application No. 29/123,786, filed on May 25, 2000.

(51) **LOC (7) Cl.** **23-02**

(52) **U.S. Cl.** **D6/545**

(58) **Field of Search** D6/542-545; 222/92, 222/105, 173, 180, 181.1, 181.3; 221/282-283; 206/77.1

(56) **References Cited**

U.S. PATENT DOCUMENTS

D. 387,597 * 12/1997 Kearnes D6/545
D. 392,137 * 3/1998 Vignot D6/545

D. 406,977 * 3/1999 Chen D6/545
D. 418,344 * 1/2000 De Winter D6/545
D. 426,094 * 6/2000 Carlson D6/545
D. 431,404 * 10/2000 Brazis et al. D6/545

* cited by examiner

Primary Examiner—Brian N. Vinson
(74) *Attorney, Agent, or Firm*—Reese Taylor

(57) **CLAIM**

The ornamental design for a dispenser for liquid, as shown and described.

DESCRIPTION

FIG. 1 is a perspective view as showing our design for a dispenser for liquids.

FIG. 2 is a front elevational view thereof.

FIG. 3 is a side elevational view taken from the left of FIG. 2.

FIG. 4 is a rear elevational view thereof.

FIG. 5 is a side elevational view taken from the left of FIG. 4.

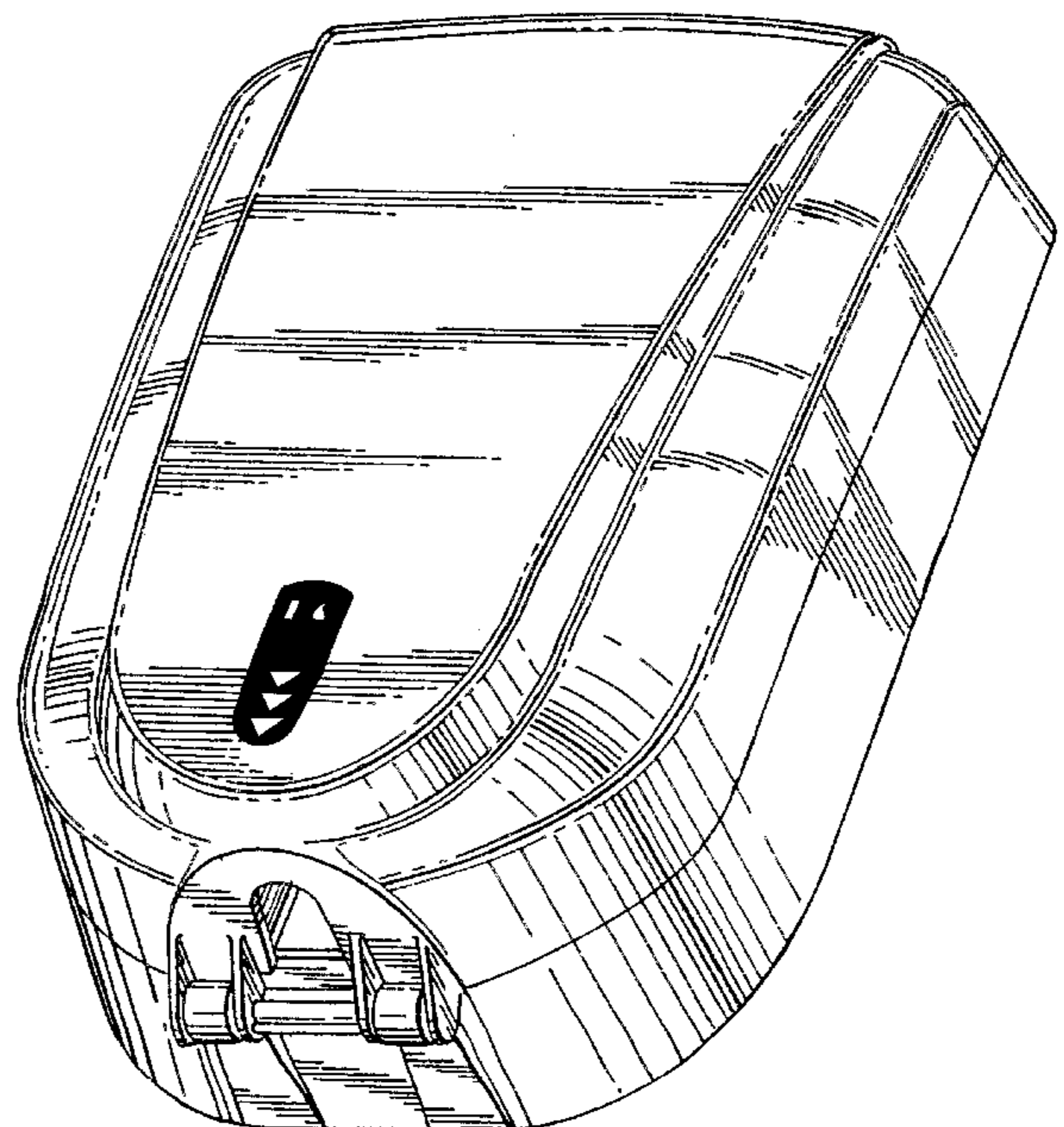
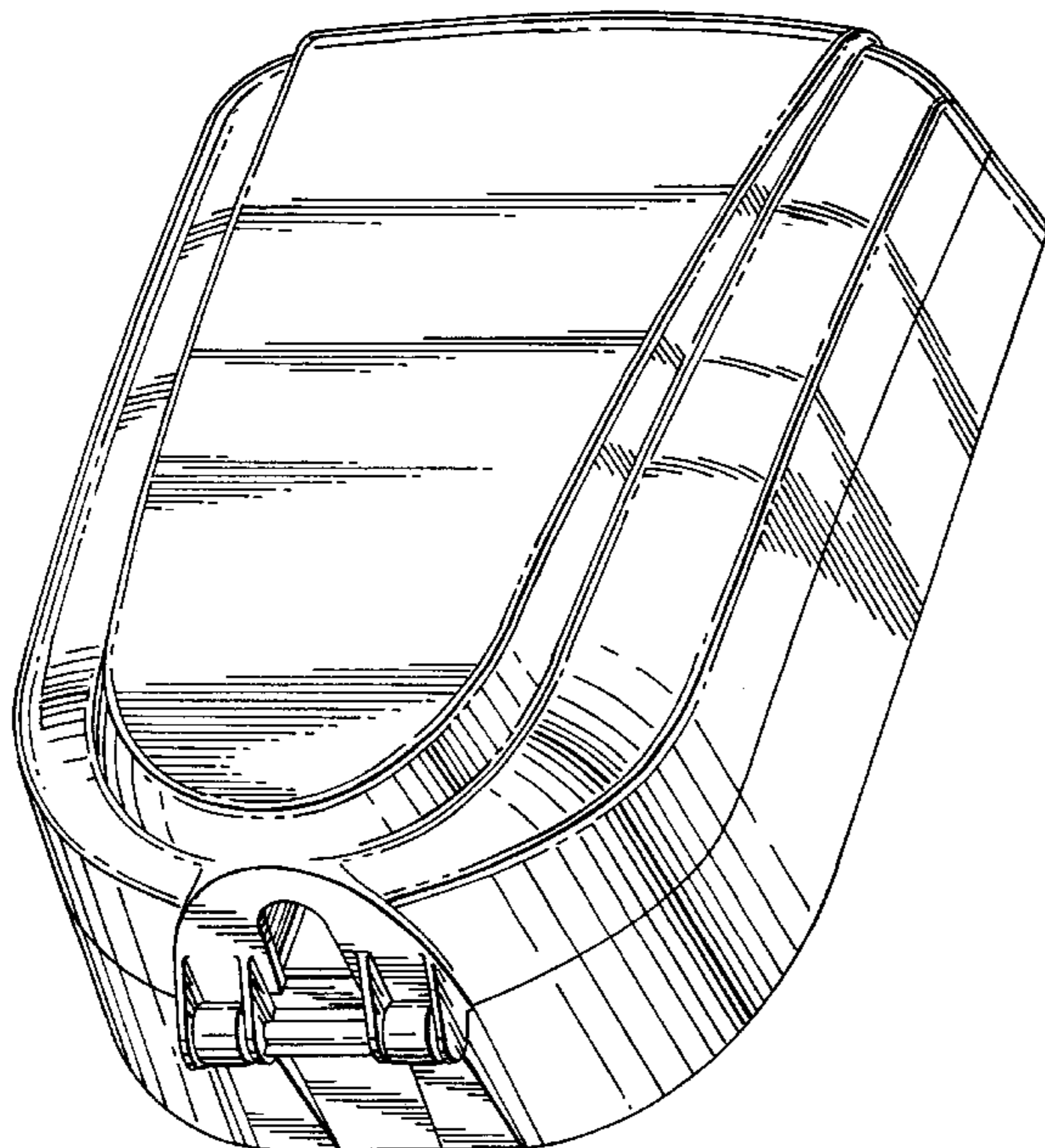
FIG. 6 is a top plan view thereof.

FIG. 7 is a bottom plan view thereof.

FIG. 8 is a perspective view showing a second embodiment of our new design for a dispenser for liquids, the only difference from the first embodiment residing in the appearance of the front face; and,

FIG. 9 is a front elevational view thereof.

1 Claim, 6 Drawing Sheets



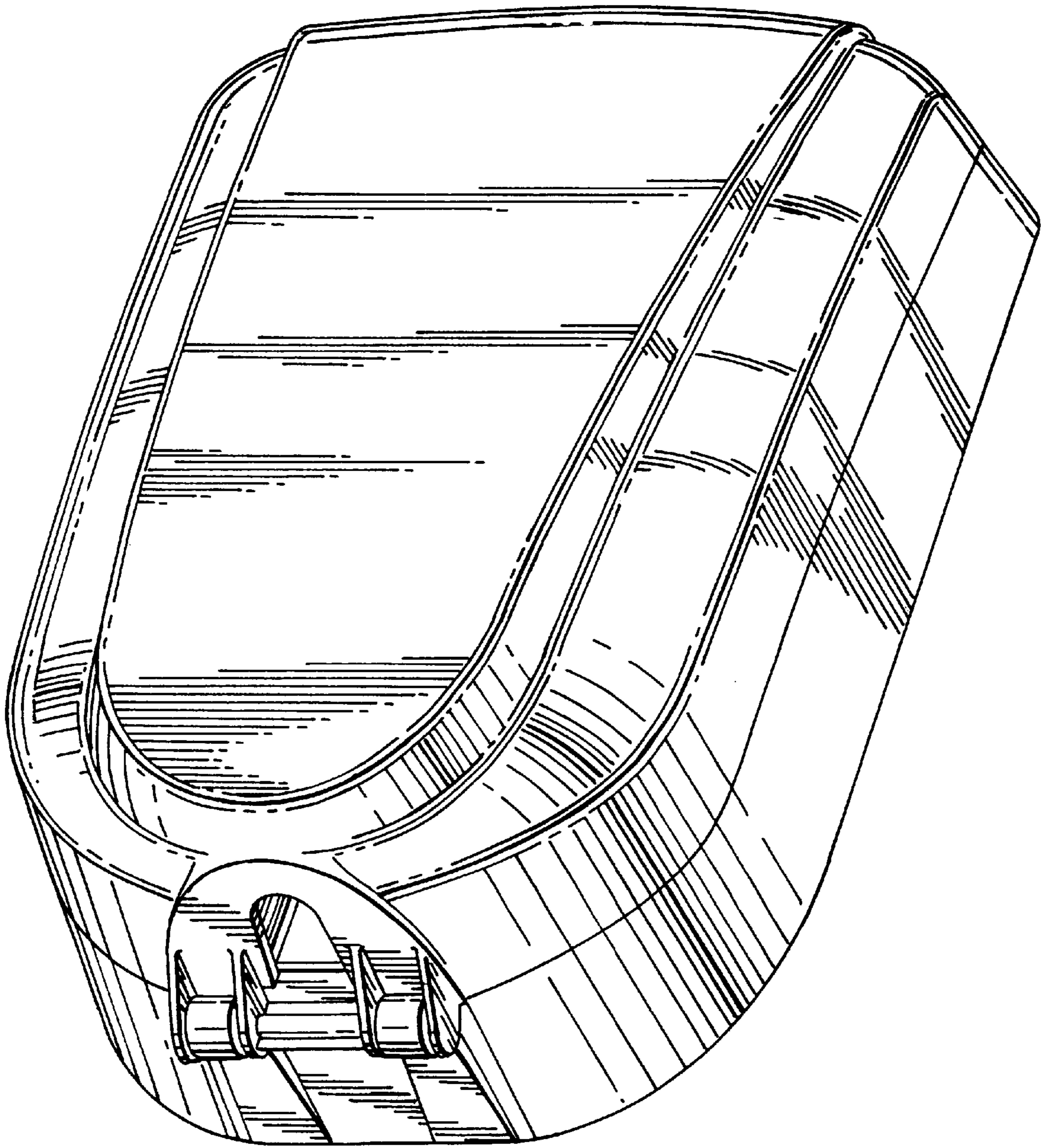


FIG. 1

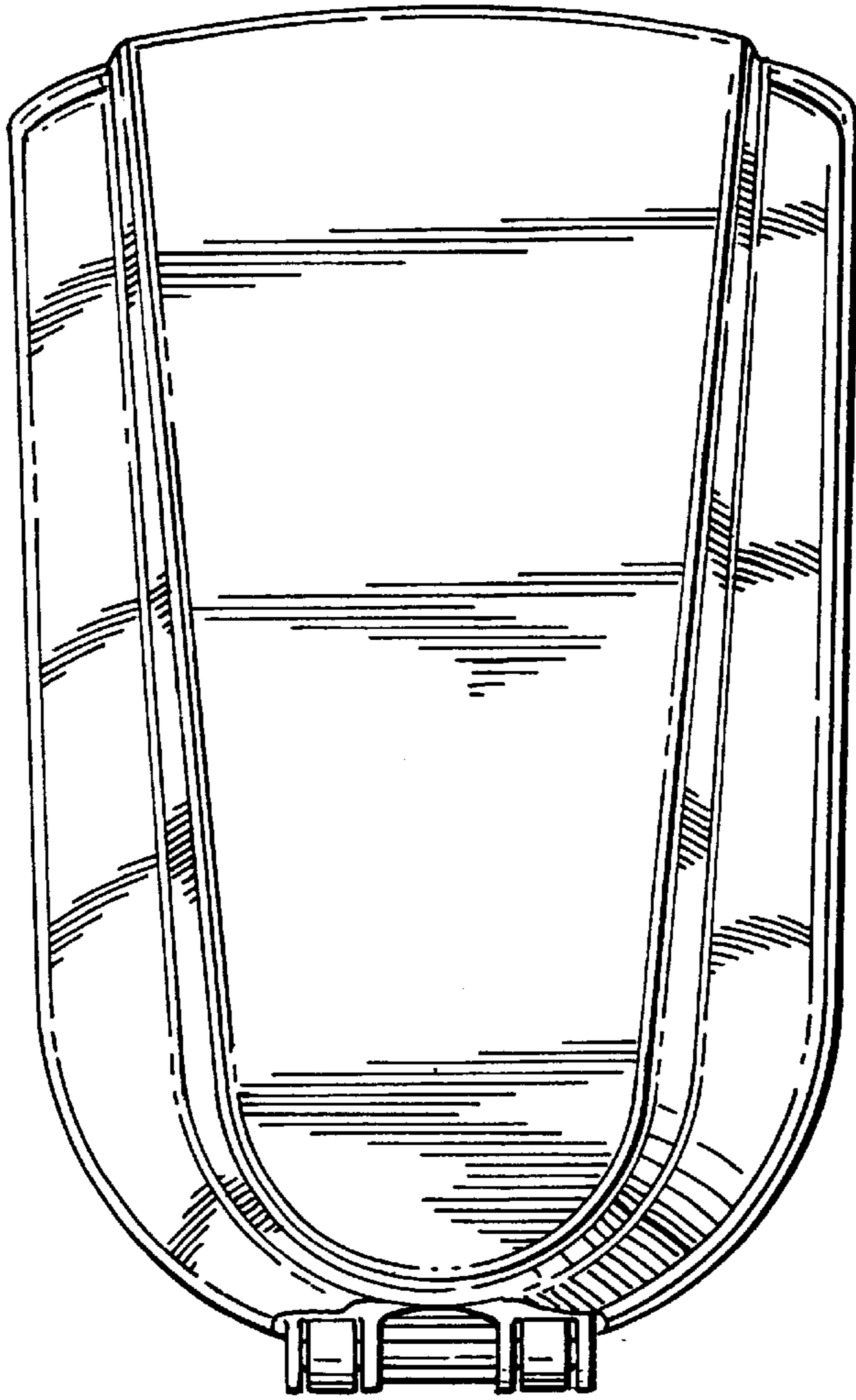


FIG. 2

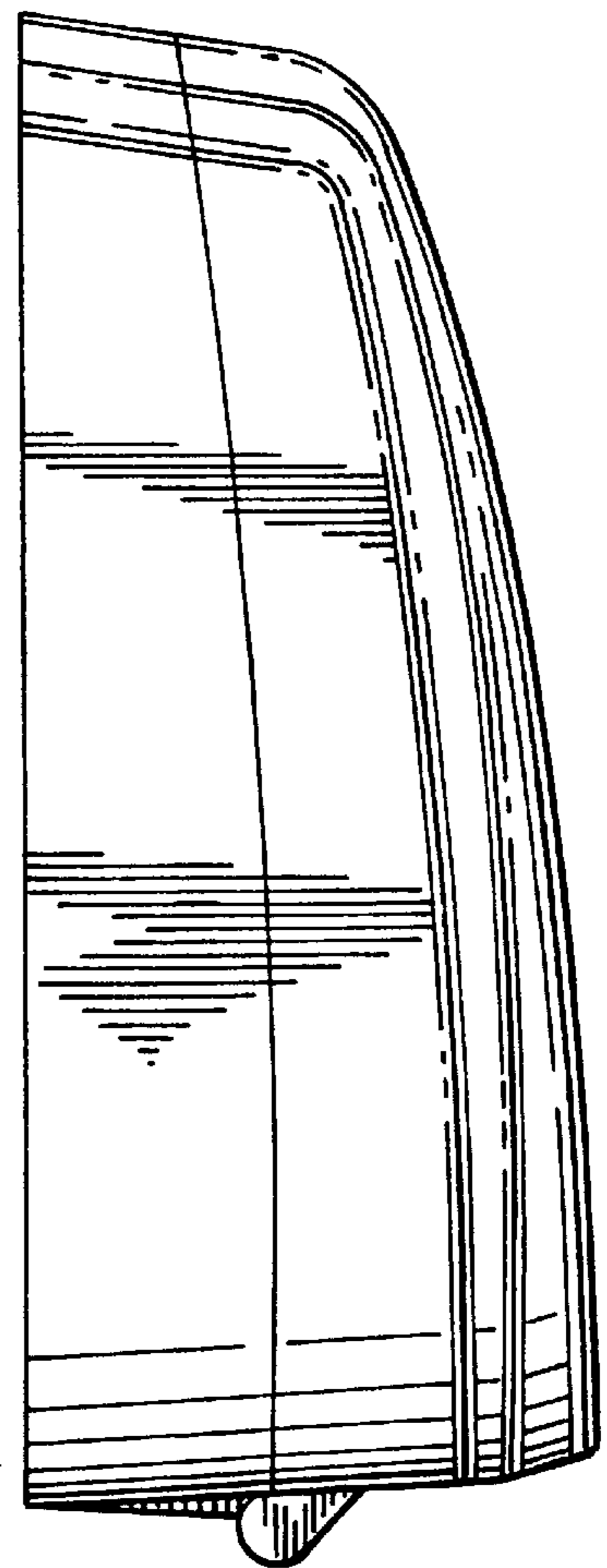


FIG. 3

FIG. 4

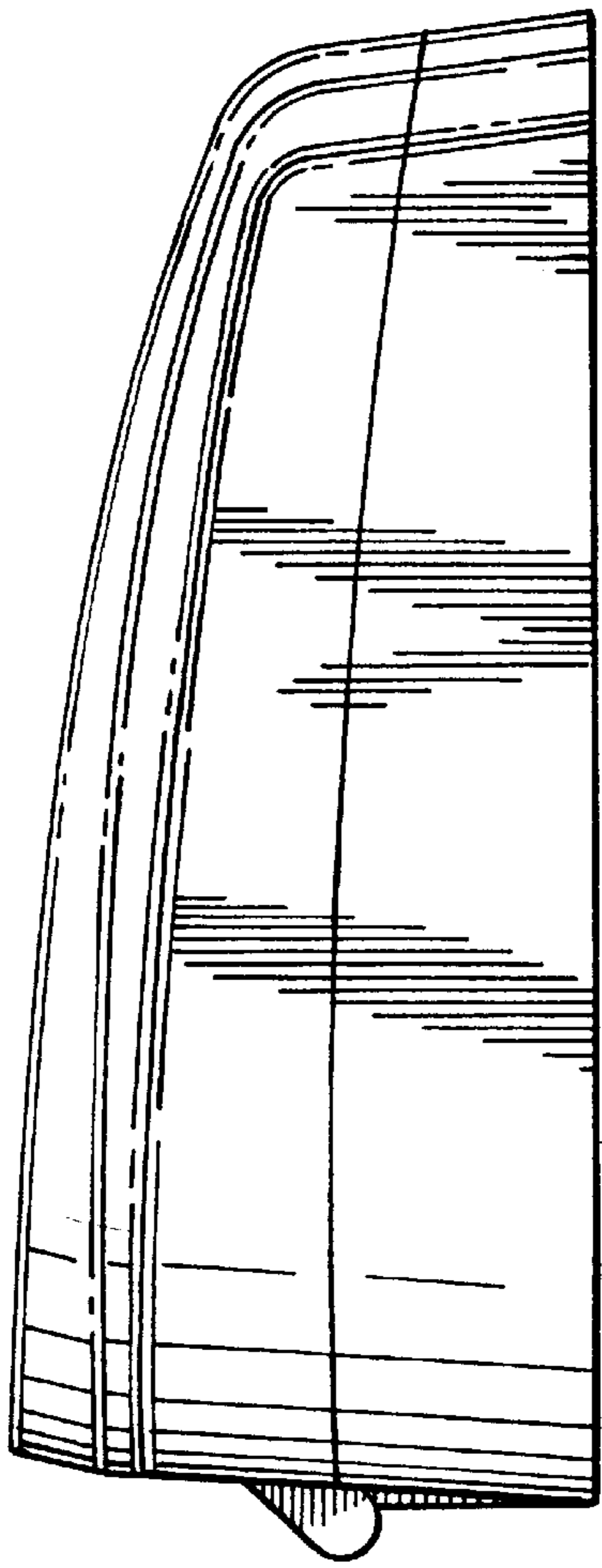
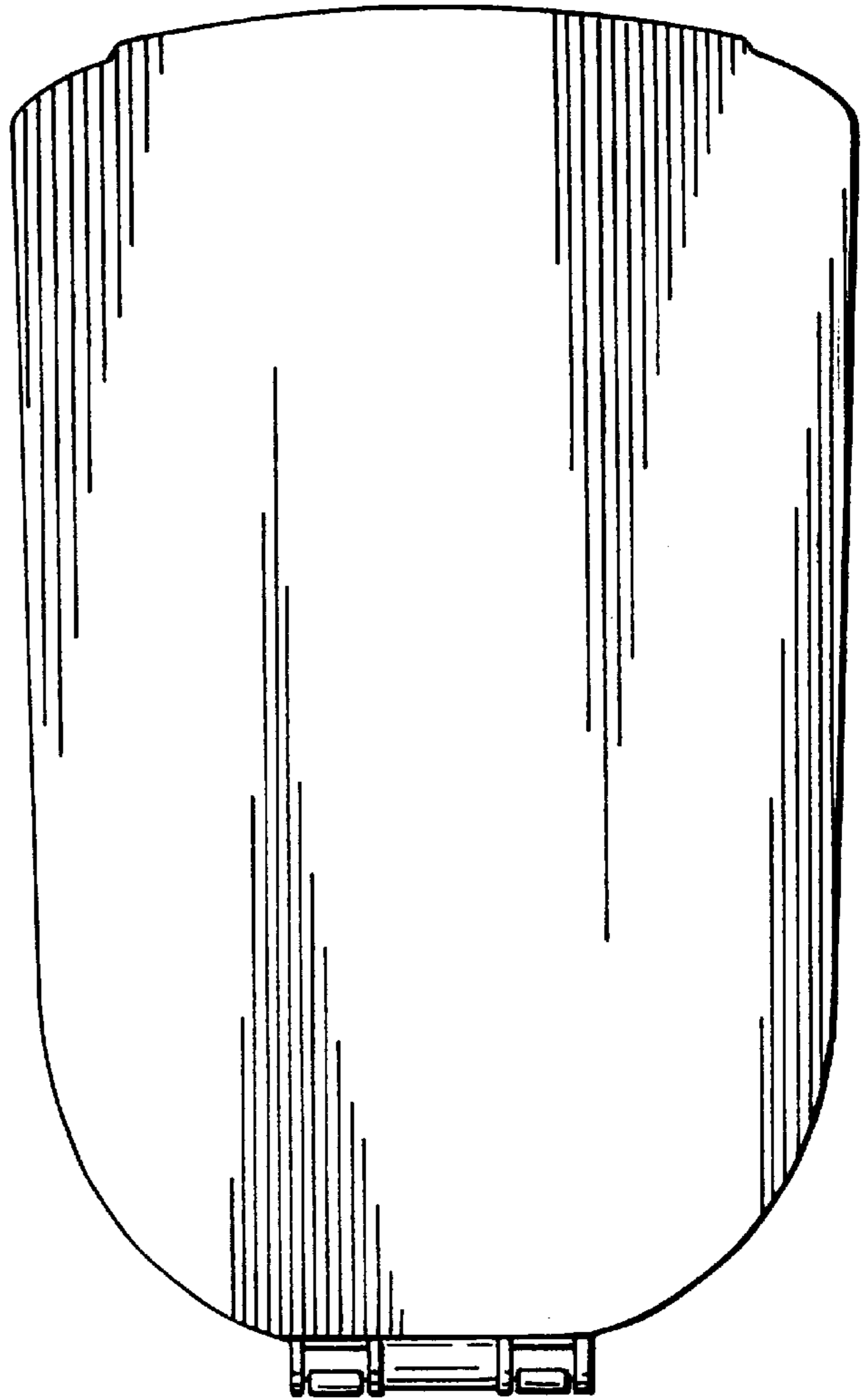


FIG. 5

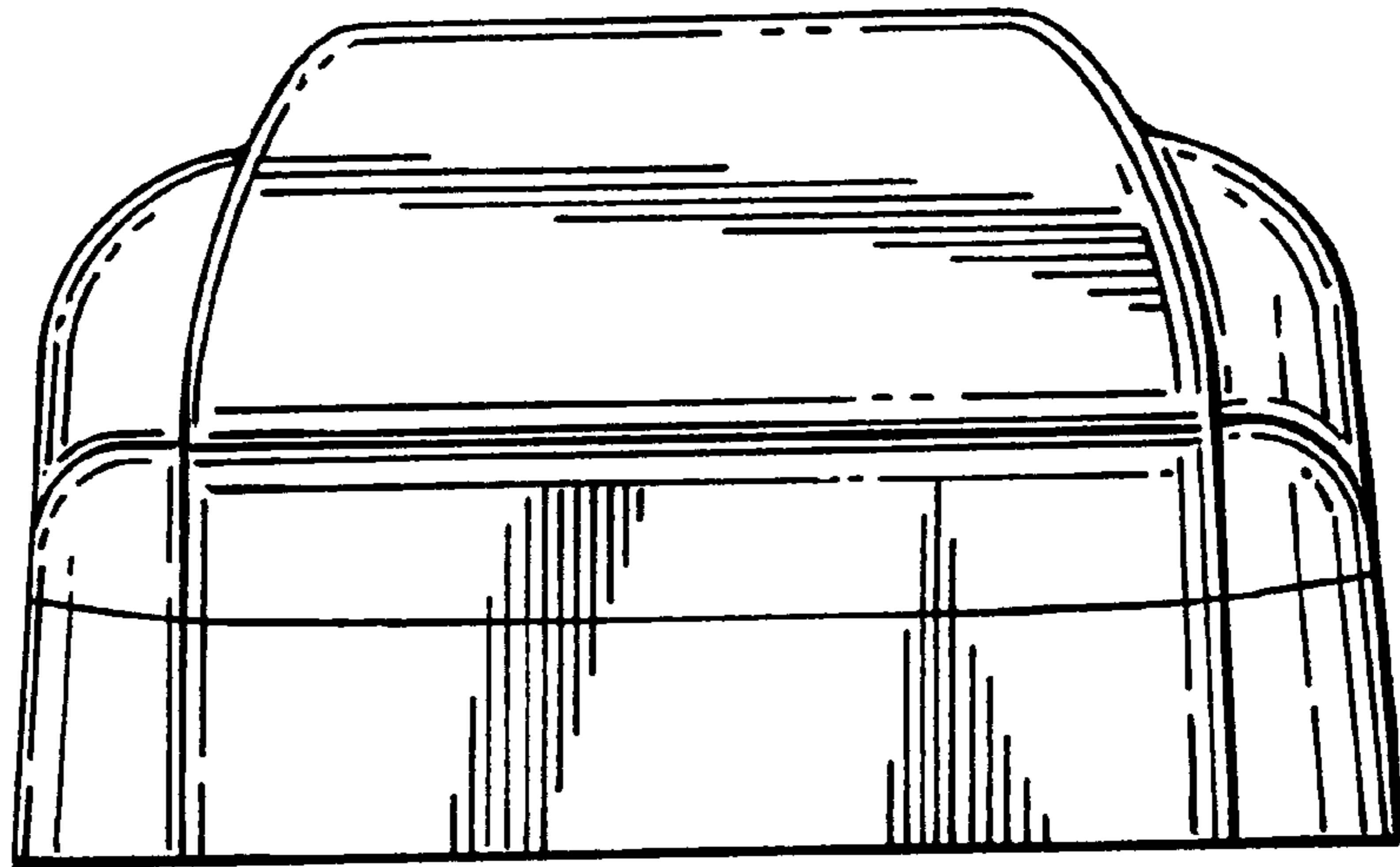


FIG. 6

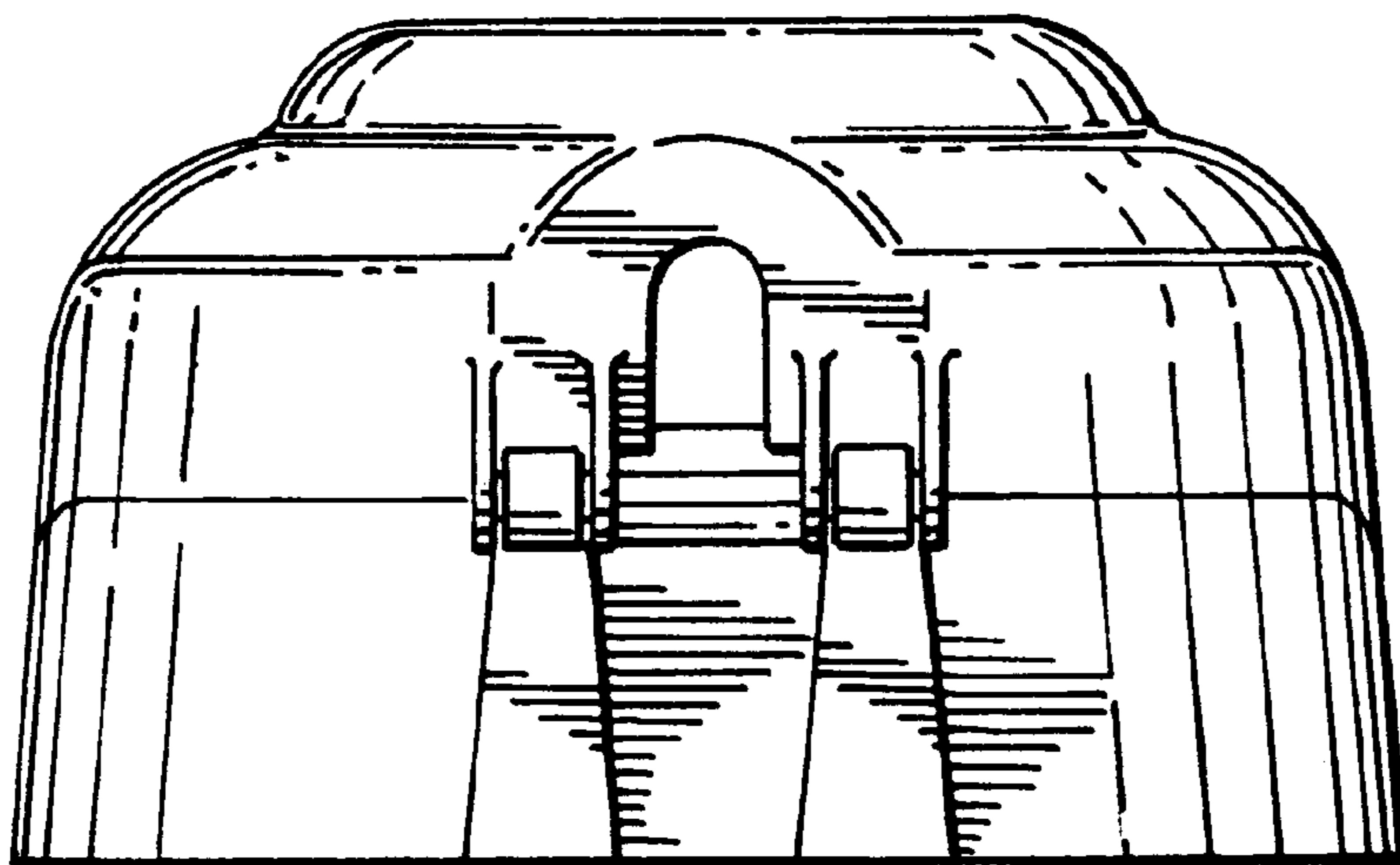


FIG. 7

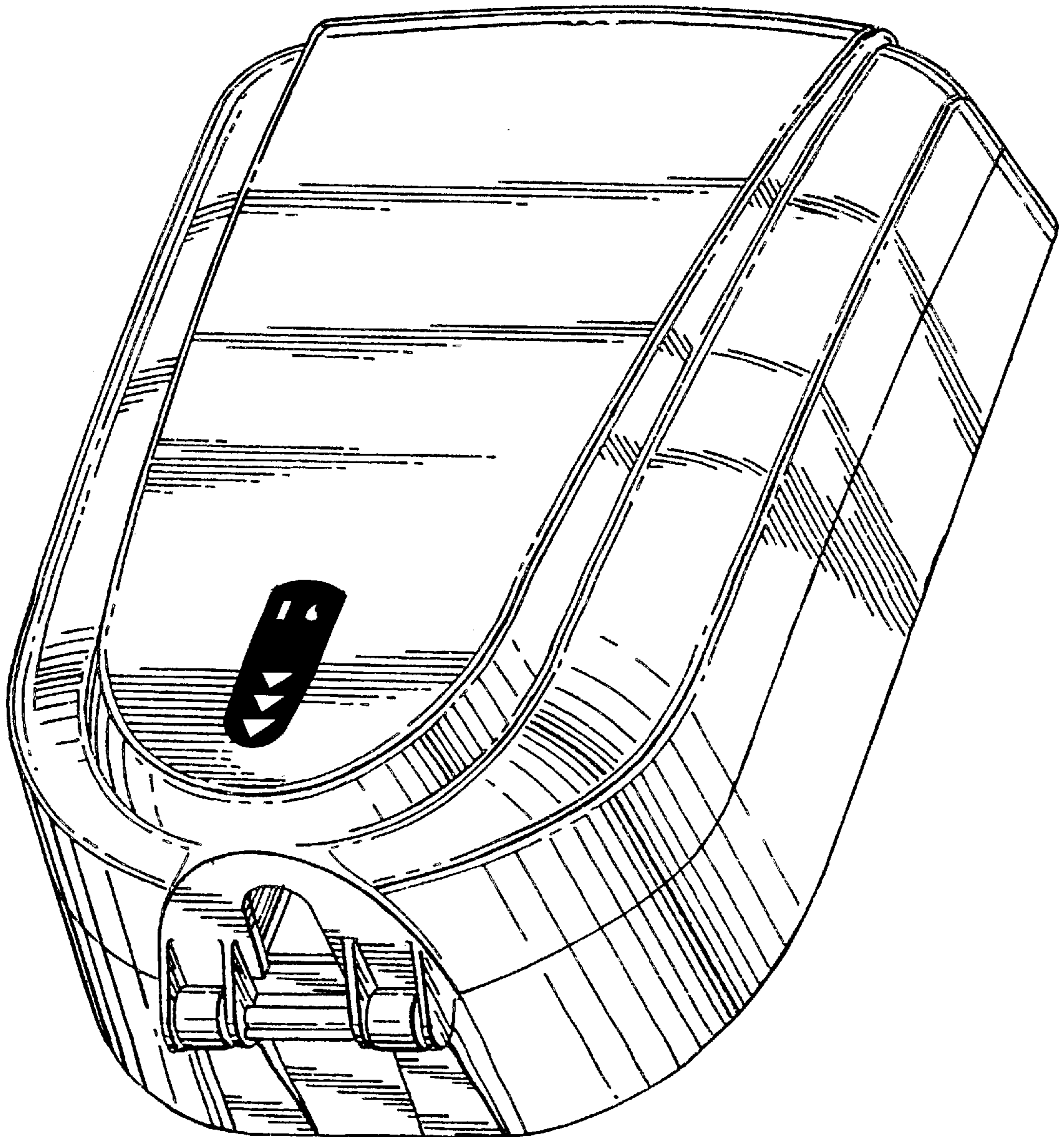


FIG. 8

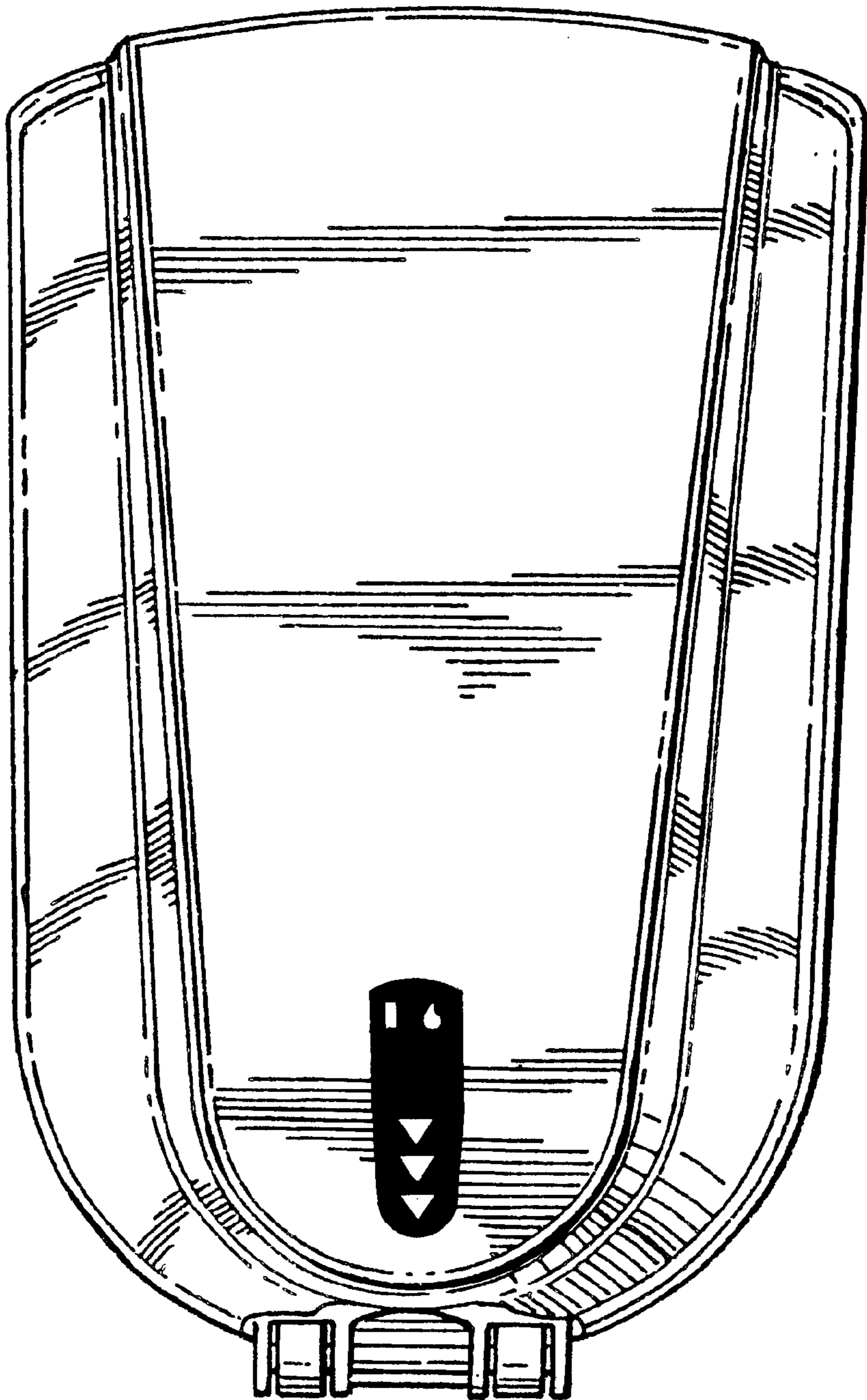


FIG. 9