



US00D451735B1

(12) **United States Design Patent**
Hanna

(10) **Patent No.:** **US D451,735 S**

(45) **Date of Patent:** **** Dec. 11, 2001**

(54) **SOAP DISPENSER**

(75) Inventor: **Aaron E. Hanna**, Redlands, CA (US)

(73) Assignee: **Emhart Inc.**, Newark, DE (US)

(**) Term: **14 Years**

(21) Appl. No.: **29/140,851**

(22) Filed: **Apr. 26, 2001**

(51) **LOC (7) Cl.** **23-02**

(52) **U.S. Cl.** **D6/542**

(58) **Field of Search** D6/542; 222/173,
222/180, 192, 630, 400.8, 372, 384; D9/448

- D. 396,590 8/1998 Warshawsky .
- D. 397,207 10/1998 Lord .
- D. 399,930 10/1998 Lord .
- D. 407,589 4/1999 Warshawsky .
- D. 408,897 4/1999 Warshawsky .
- D. 409,291 5/1999 Lord .
- D. 412,560 8/1999 Kuo .
- D. 415,259 10/1999 Slothower .
- D. 417,490 12/1999 Formgren .
- D. 421,789 3/2000 Delker et al. .
- D. 438,041 * 2/2001 Huang D6/542
- 4,375,266 * 3/1983 Magers 222/384 X

* cited by examiner

Primary Examiner—Brian N. Vinson

(74) *Attorney, Agent, or Firm*—Richard J. Veltman; John D. Del Ponti

(56) **References Cited**

U.S. PATENT DOCUMENTS

- D. 73,185 8/1927 Levernier .
- D. 75,205 5/1928 Bloodhart .
- D. 202,095 * 8/1965 Kelly D6/542
- D. 235,099 5/1975 Doman .
- D. 263,991 4/1982 Fleischmann et al. .
- D. 287,395 12/1986 Piesco .
- D. 293,601 1/1988 Hill et al. .
- D. 318,099 7/1991 Reid et al. .
- D. 321,039 10/1991 Robbins .
- D. 326,504 5/1992 Robbins .
- D. 330,072 10/1992 Levien .
- D. 335,415 5/1993 Brandenburg .
- D. 340,968 11/1993 McKeone et al. .
- D. 349,326 8/1994 Bollenbacher .
- D. 349,649 * 8/1994 Hanna D9/448
- D. 378,230 2/1997 Doughty et al. .
- D. 383,025 * 9/1997 Warshawsky D6/542
- D. 384,133 9/1997 Doughty et al. .
- D. 385,138 10/1997 Warshawsky .
- D. 389,898 1/1998 Delker et al. .

(57) **CLAIM**

The ornamental design for a soap dispenser, as shown and described.

DESCRIPTION

FIG. 1 is a perspective view of the new design for a soap dispenser;

FIG. 2 is a front elevational view of the new design for a soap dispenser;

FIG. 3 is a rear elevational view of the new design for a soap dispenser;

FIG. 4 is a right side elevational view of the new design for a soap dispenser, the left side elevational view being a mirror image;

FIG. 5 is a top plan view of the new design for a soap dispenser; and,

FIG. 6 is a bottom plan view of the new design for a soap dispenser.

1 Claim, 1 Drawing Sheet

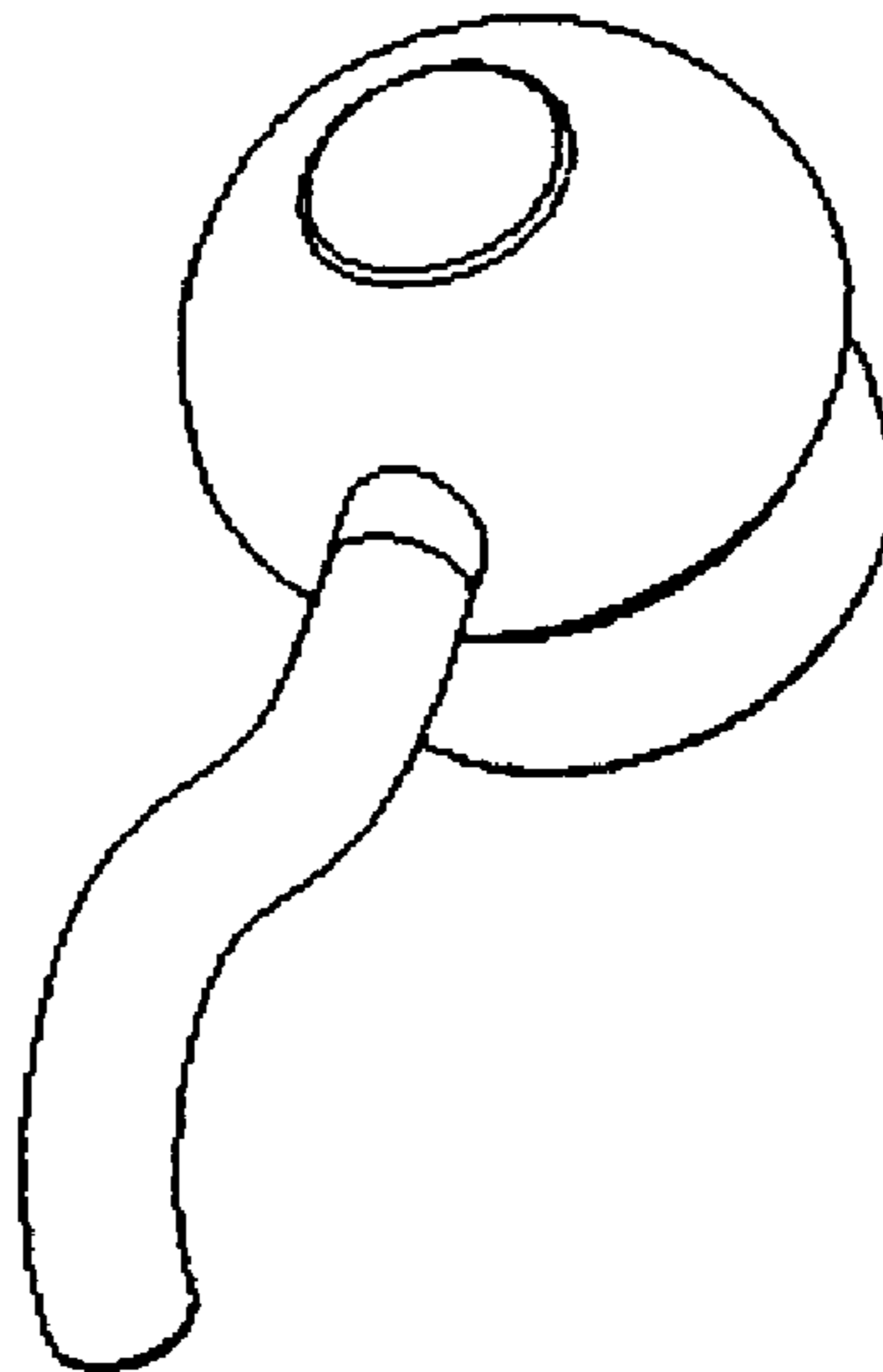


Figure 1

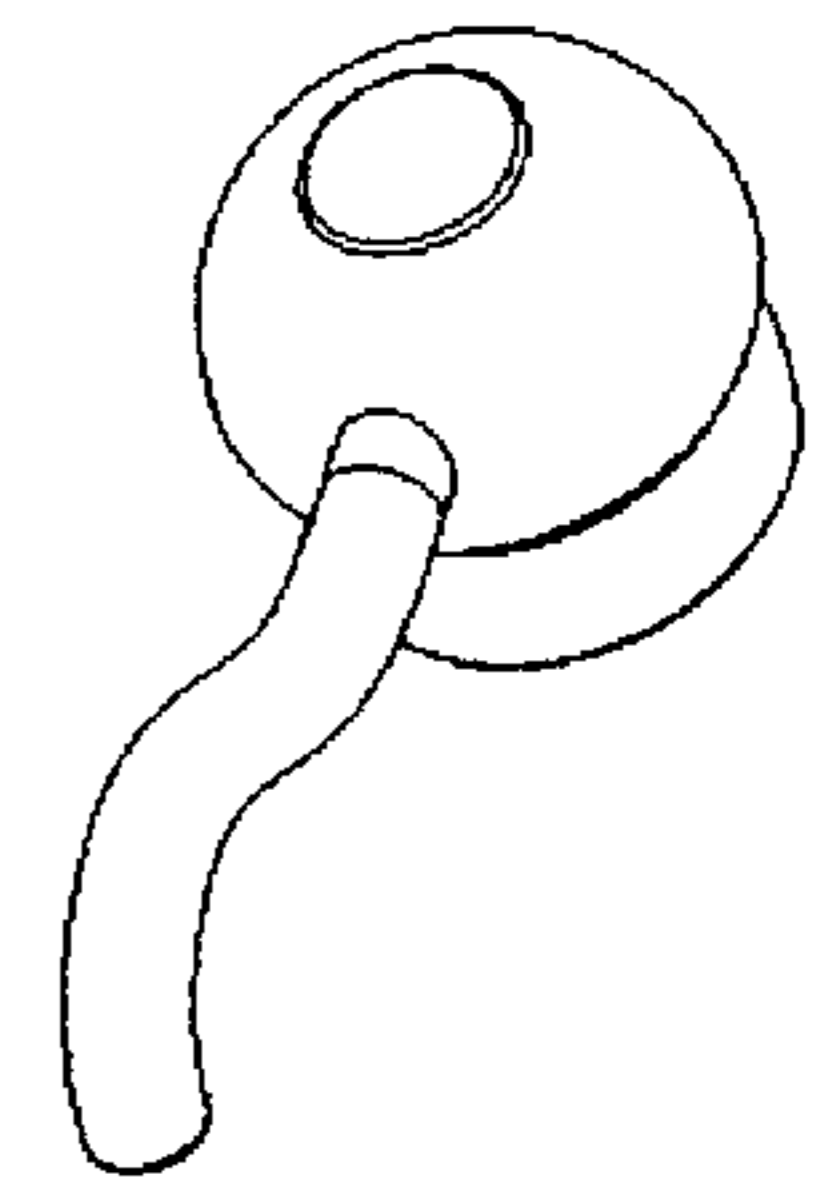


Figure 5

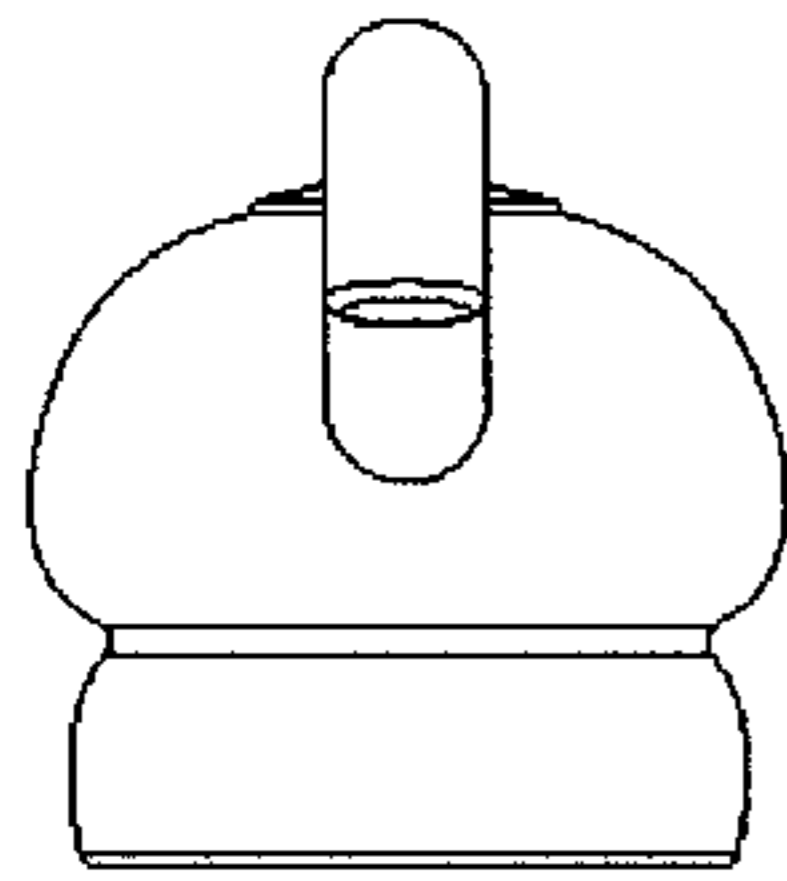
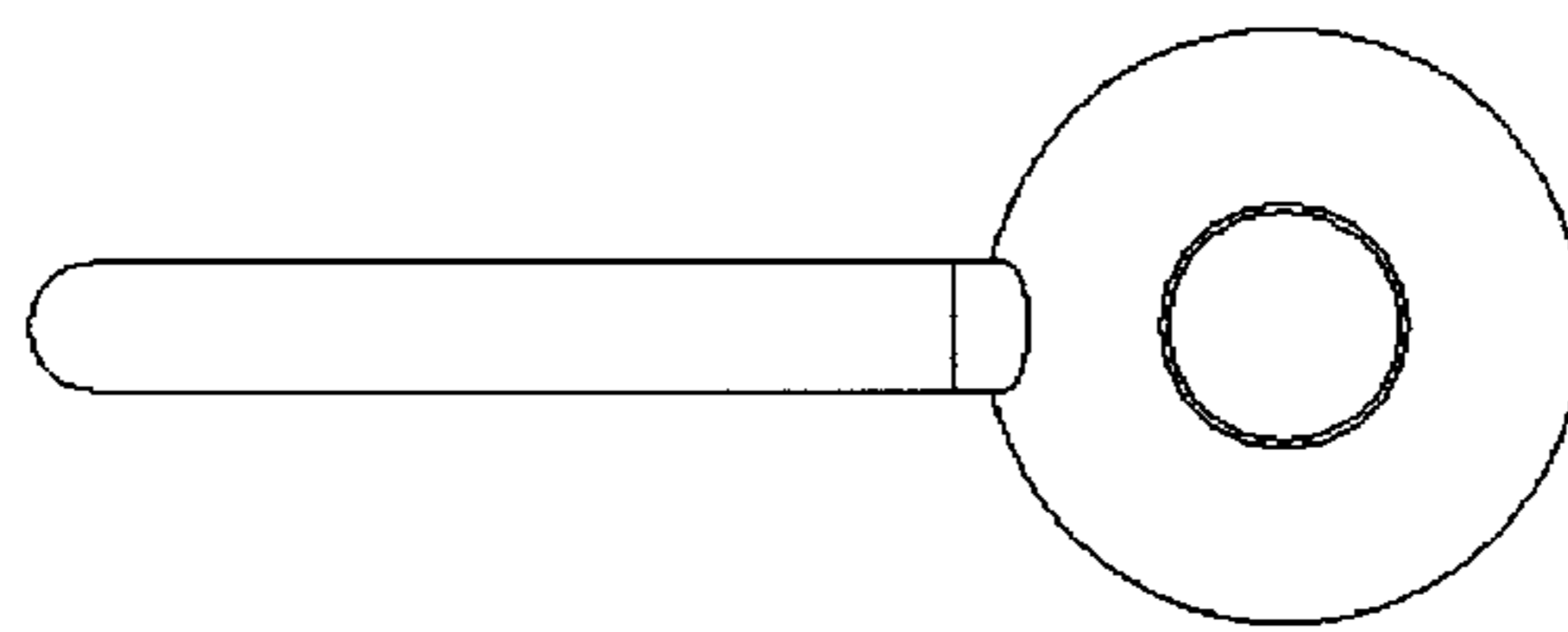


Figure 2

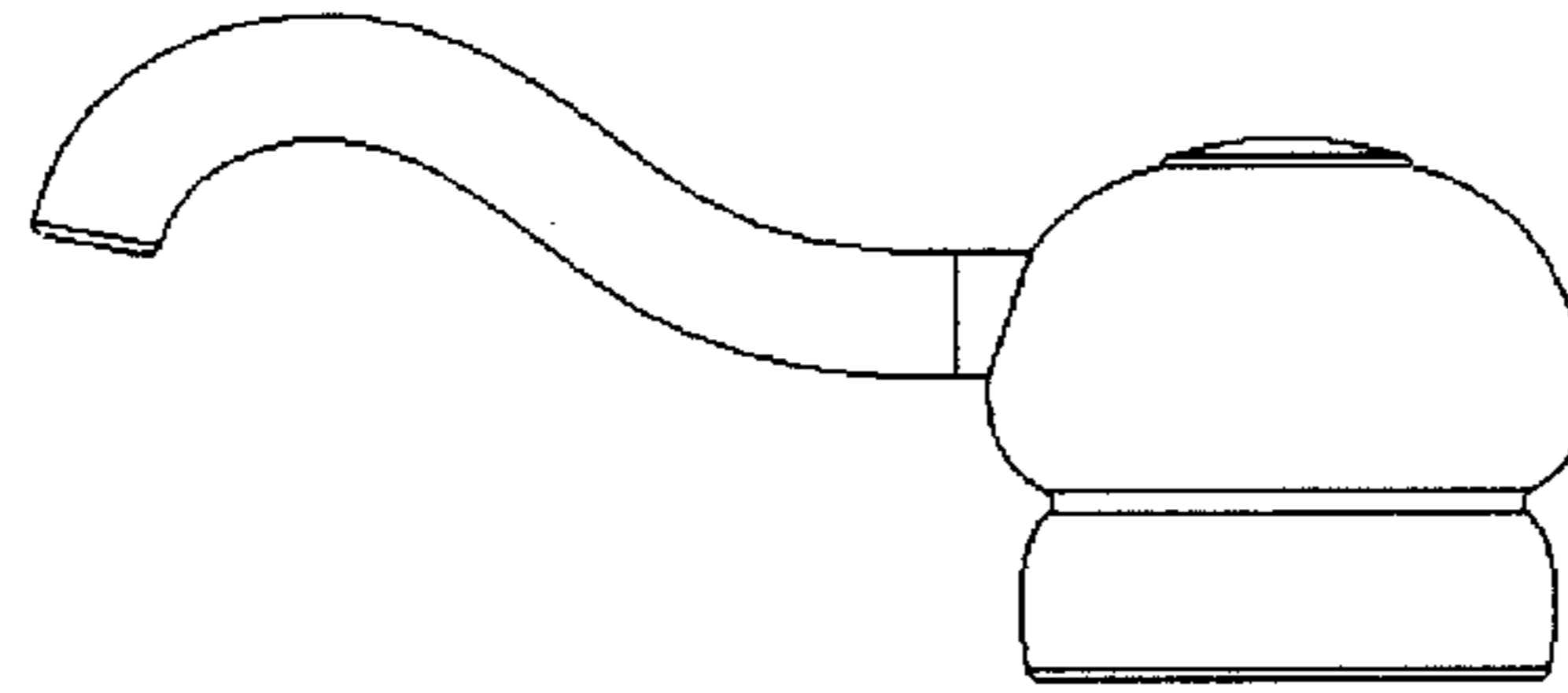


Figure 4

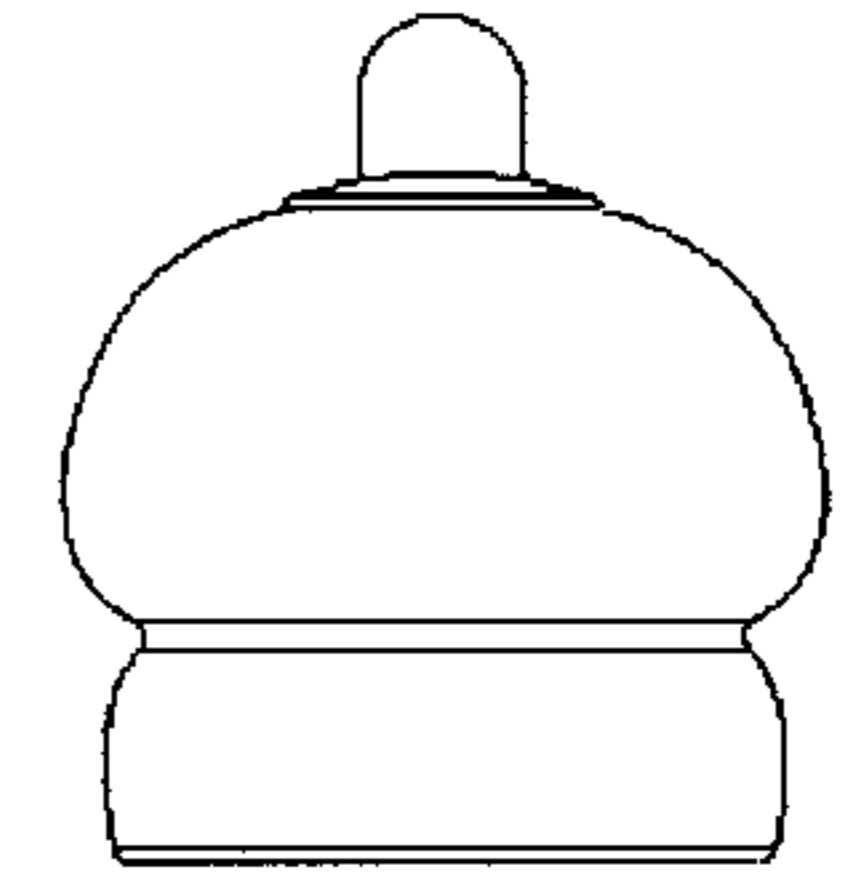


Figure 3

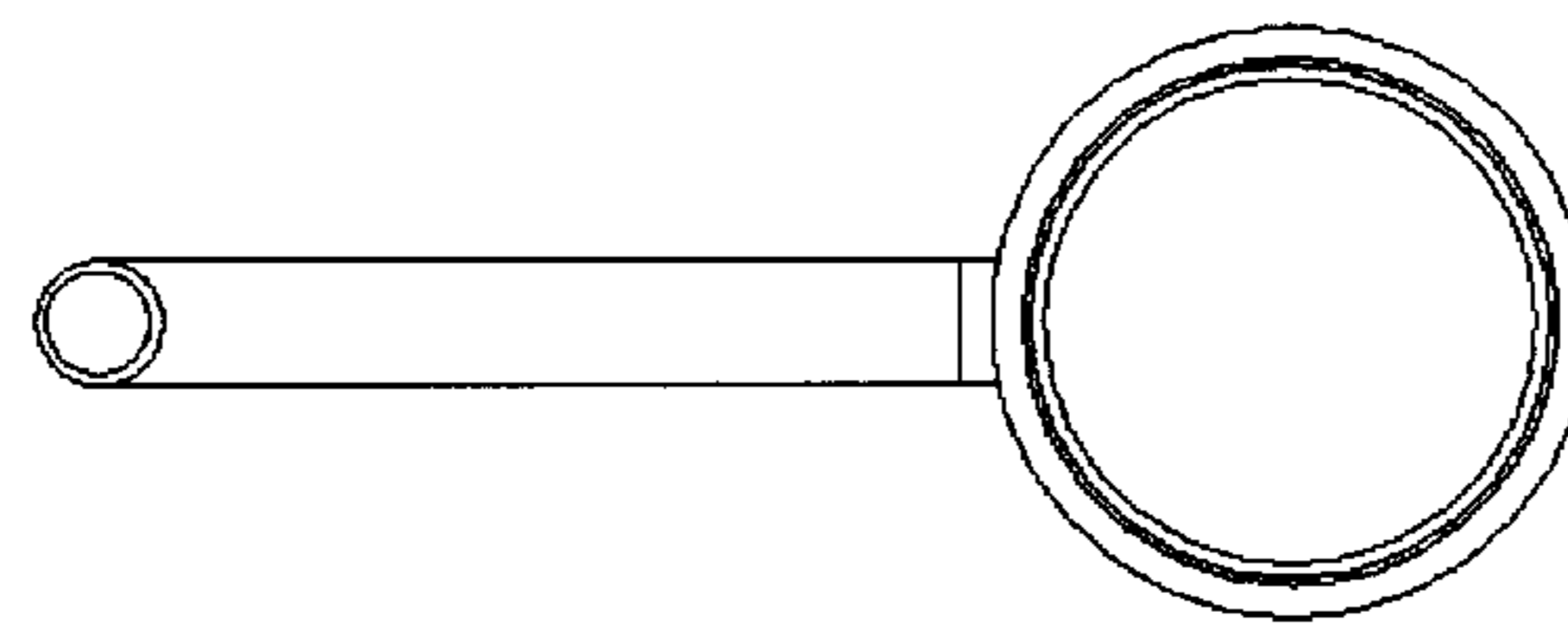


Figure 6