

US00D451727B1

(12) **United States Design Patent**
Volkman et al.

(10) **Patent No.:** **US D451,727 S**

(45) **Date of Patent:** **** Dec. 11, 2001**

(54) **STADIUM DESK**

(75) Inventors: **Robert P. Volkman**, Arlington Heights, IL (US); **Michael J. Volkman**, Aurora, CO (US)

(73) Assignee: **Paul Robby Associates LLC**, Aurora, CO (US)

(**) Term: **14 Years**

(21) Appl. No.: **29/120,051**

(22) Filed: **Mar. 13, 2000**

(51) **LOC (7) Cl.** **06-03**

(52) **U.S. Cl.** **D6/511; D6/421**

(58) **Field of Search** D6/422-428, 511, D6/450, 451, 474, 477, 479, 493, 491; 312/194-196, 239, 208.1, 204; 108/59, 50.01, 50.02

(56) **References Cited**

U.S. PATENT DOCUMENTS

D. 8,741	10/1875	Kerr .	
D. 37,342	2/1905	Dzubay .	
D. 84,556	3/1931	Wachtel .	
D. 127,022	5/1941	Krecker .	
D. 180,714	* 7/1957	Hardy	D6/426
D. 207,960	6/1967	Payne .	
D. 231,374	4/1974	Moe .	
D. 246,315	* 11/1977	Tongish	D23/271
D. 267,531	1/1983	Lenger, Jr. .	
D. 267,612	1/1983	Lenger, Jr. .	
D. 298,890	* 12/1988	LaCour	D6/426
D. 303,684	9/1989	Matsumoto et al. .	
D. 321,908	11/1991	Brady .	

D. 321,911	11/1991	Brady .
D. 323,254	1/1992	Reda .
D. 325,135	4/1992	Barfield .
D. 325,306	4/1992	Barfield .
D. 327,297	6/1992	Anawalt .
D. 346,918	5/1994	Faiola .
D. 372,372	8/1996	Volkman .
D. 423,812	5/2000	Volkman et al. .
4,211,410	7/1980	Smith .
4,733,867	3/1988	Kemp et al. .

* cited by examiner

Primary Examiner—Janice E. Seeger

(74) *Attorney, Agent, or Firm*—Leydig, Voit & Mayer, Ltd.

(57) **CLAIM**

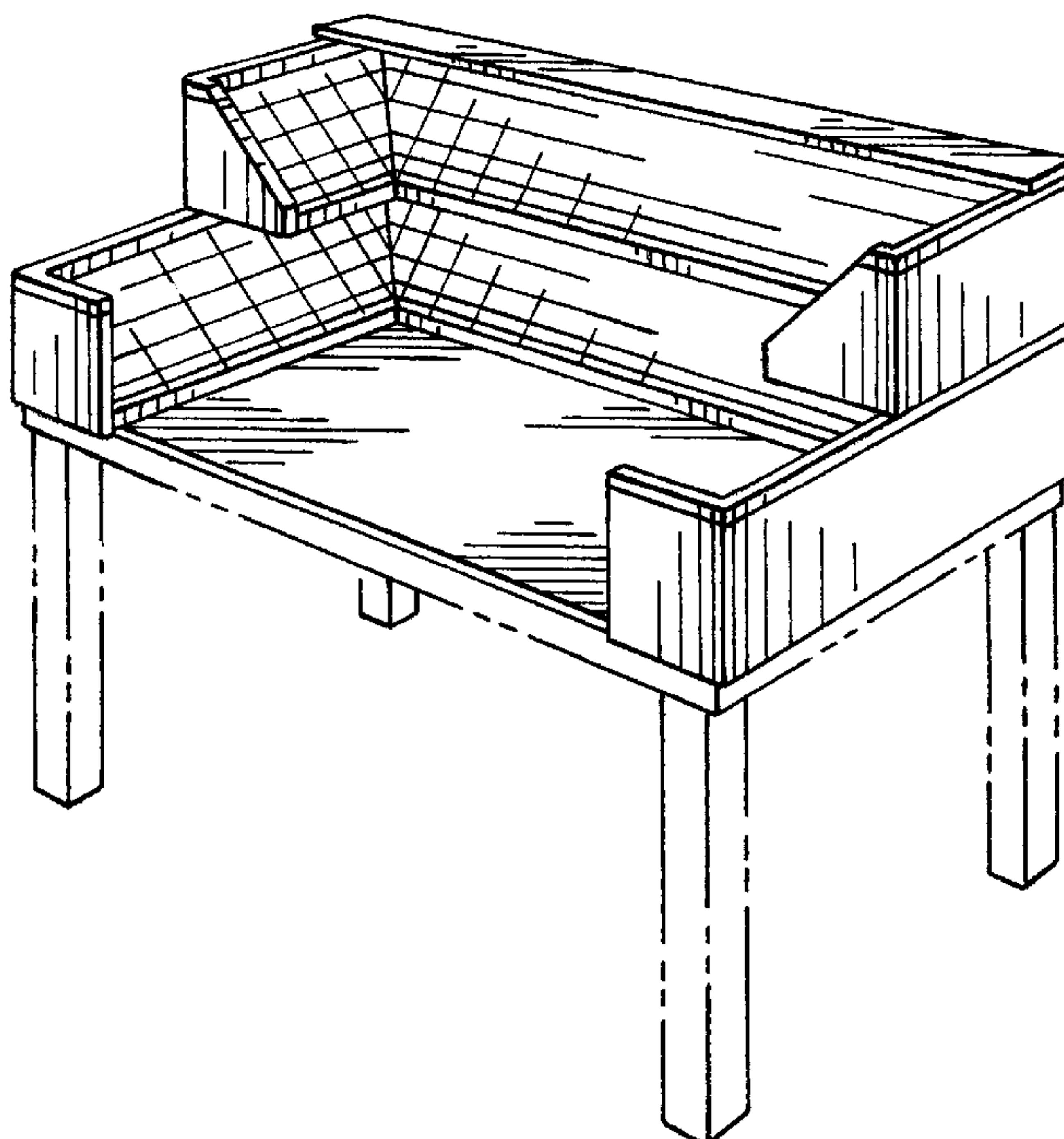
The ornamental design of a stadium desk, as shown and described.

DESCRIPTION

FIG. 1 is a perspective view of a first embodiment of a stadium desk according to the present invention; FIG. 2 is a top plan view thereof; FIG. 3 is a right side elevational view, the left side being a mirror image thereof; FIG. 4 is a front elevational view thereof; FIG. 5 is a rear elevational view thereof; and, FIG. 6 is a perspective view of the stadium desk of FIG. 1 as shown in use.

Those portions of the figures in broken lines represent an example of the environment in which the designs of the present invention may be located, e.g., a desk base. The broken lines, however, form no part of the inventive design claimed herein.

1 Claim, 3 Drawing Sheets



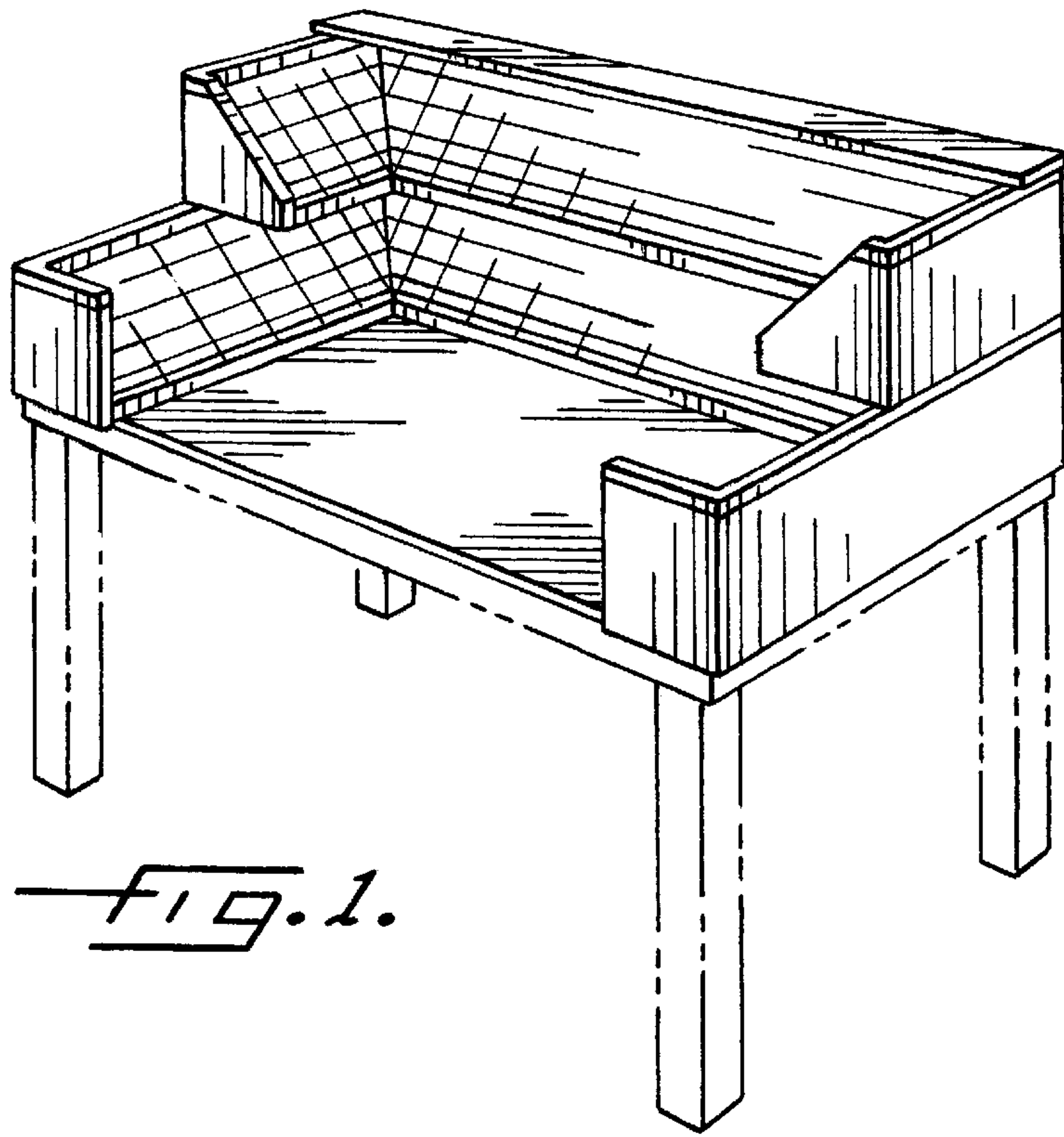


FIG. 1.

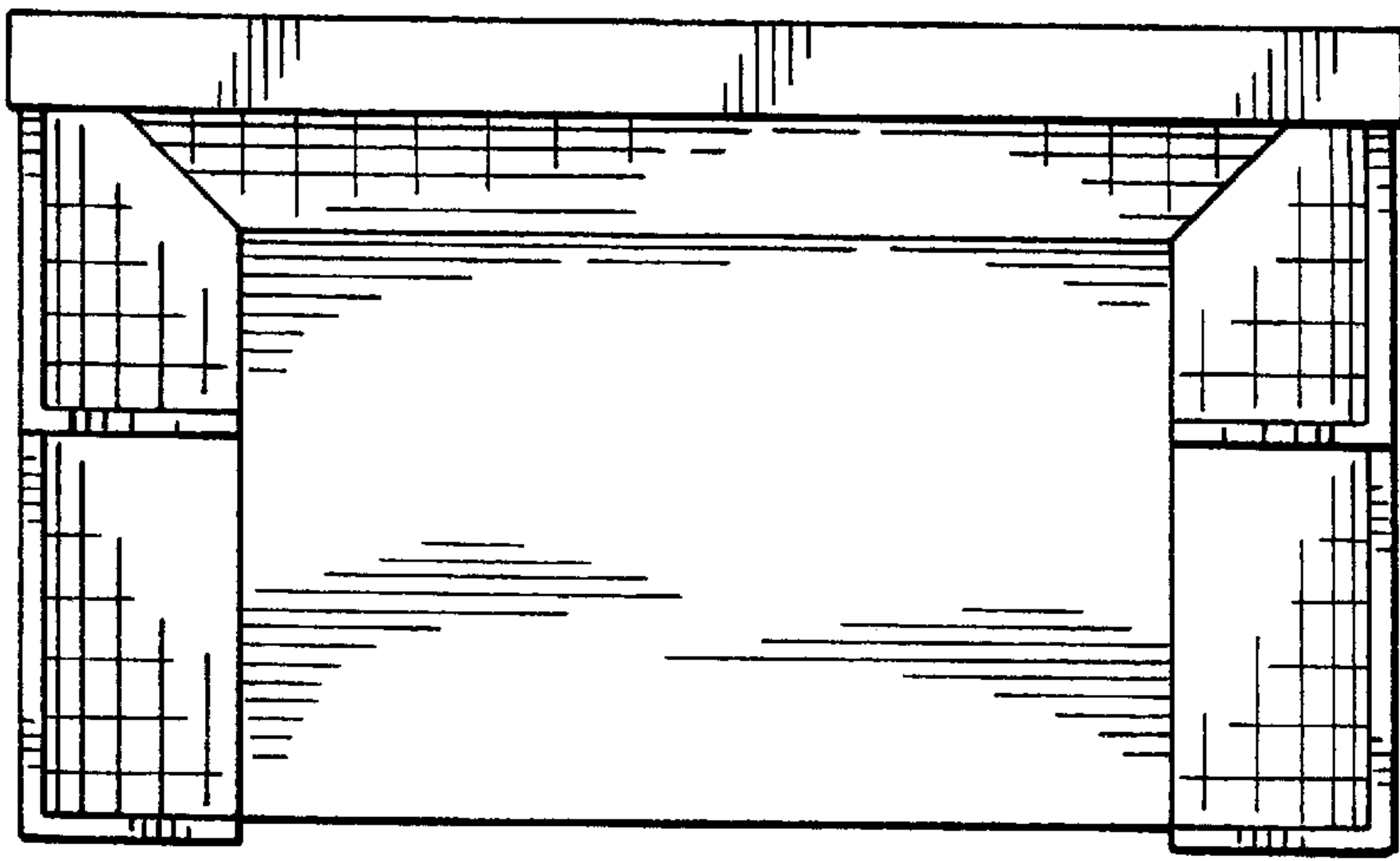


FIG. 2.

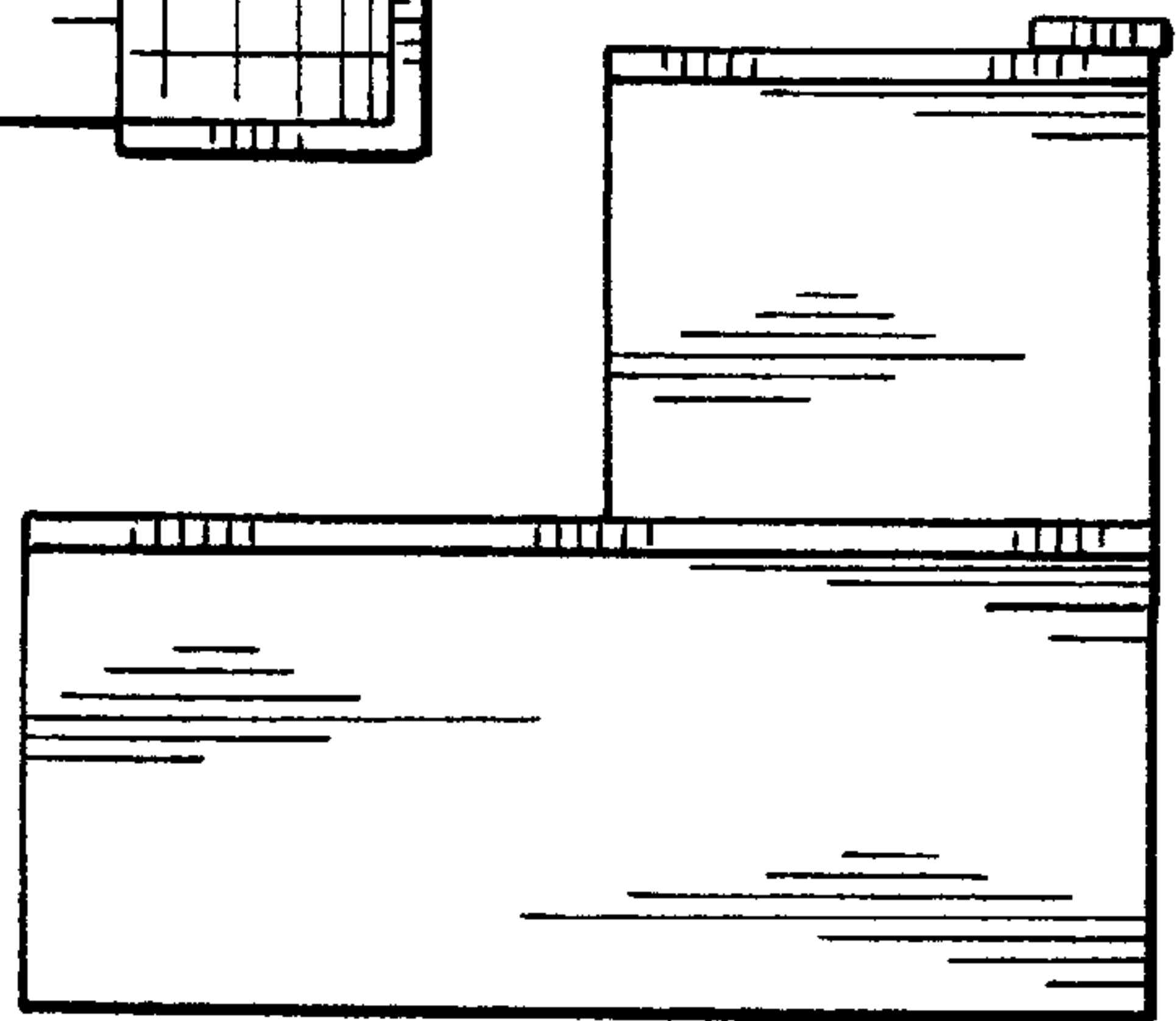


FIG. 3.

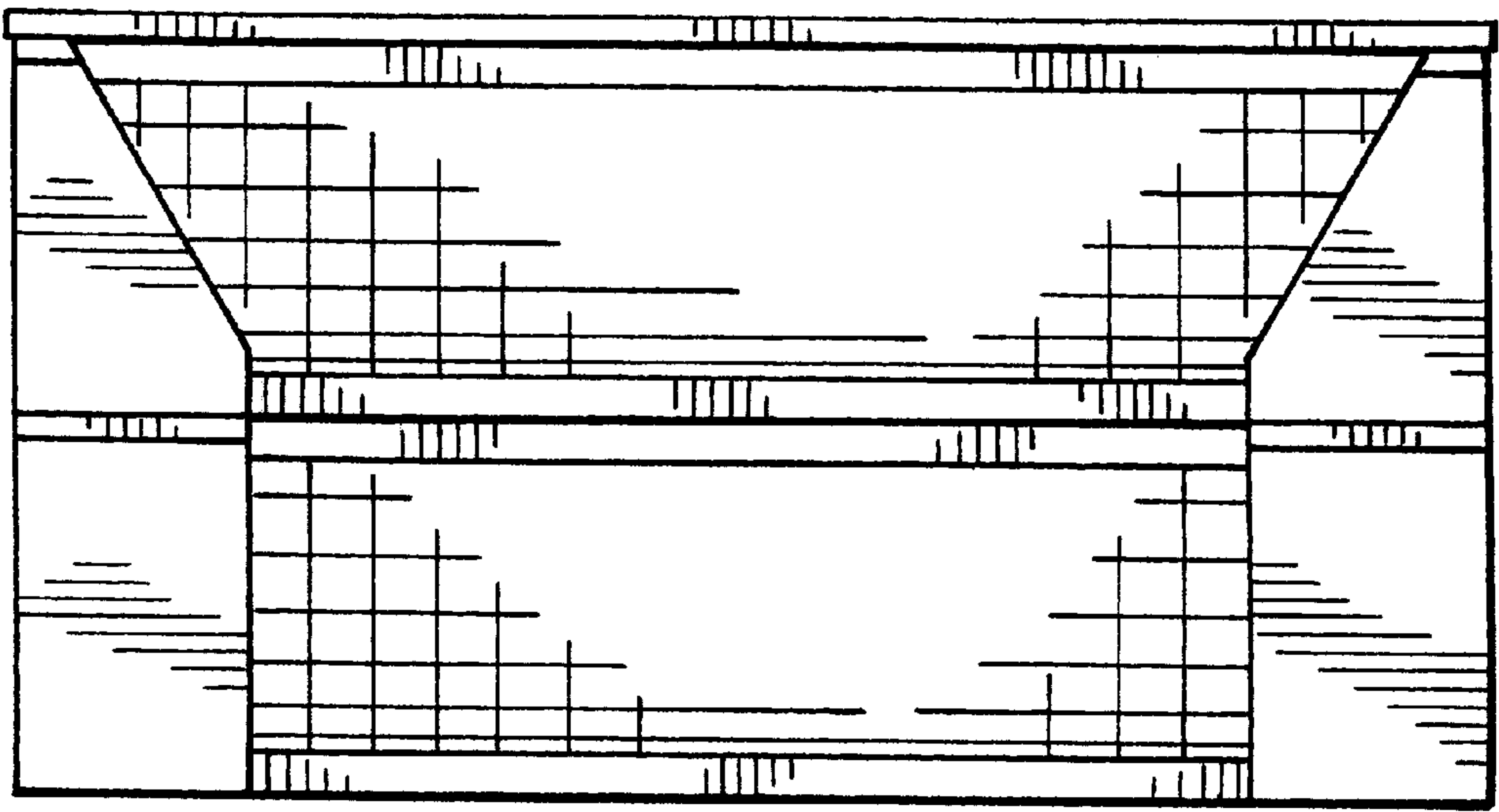


FIG. 4.

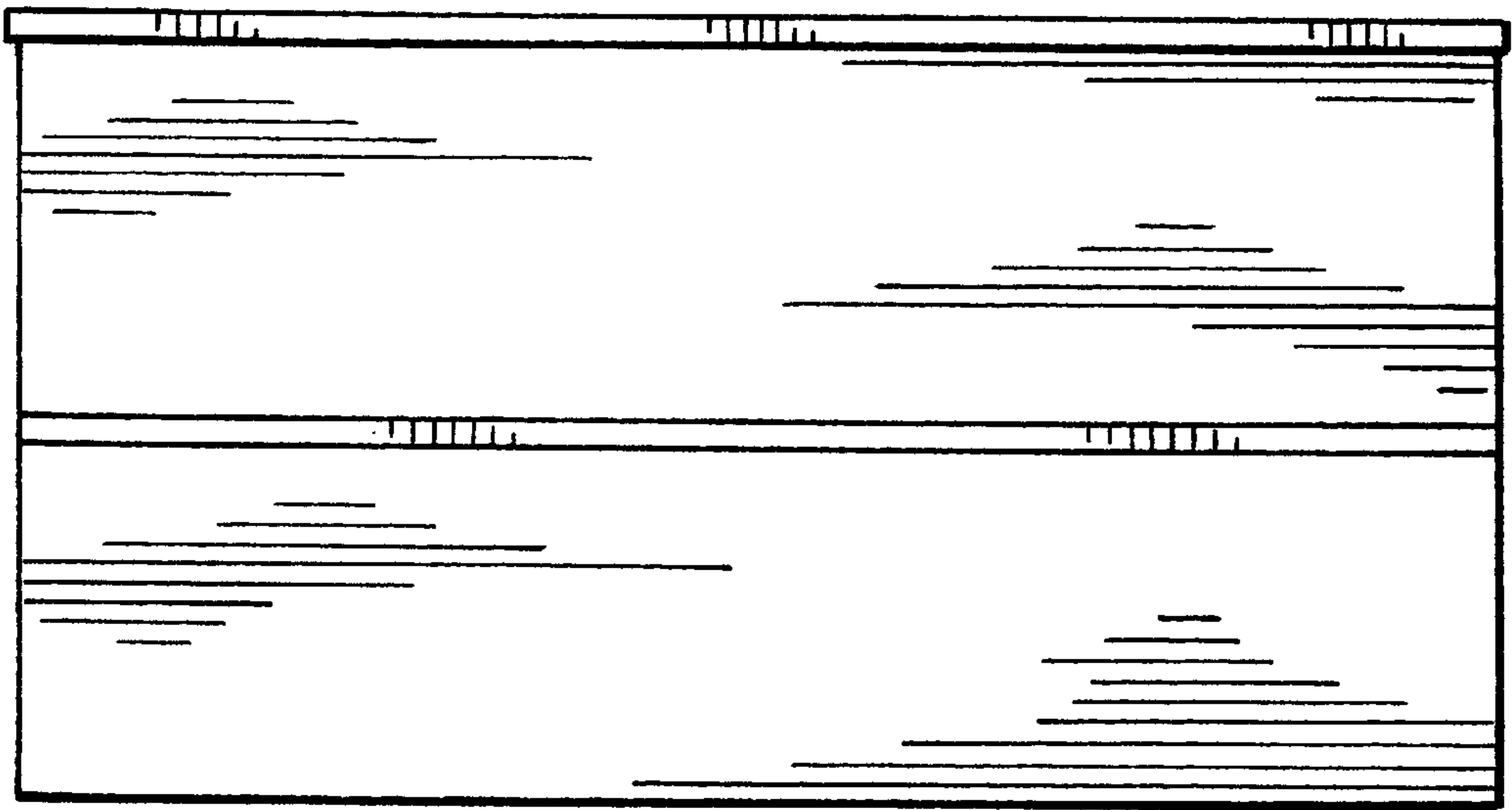


FIG. 5.

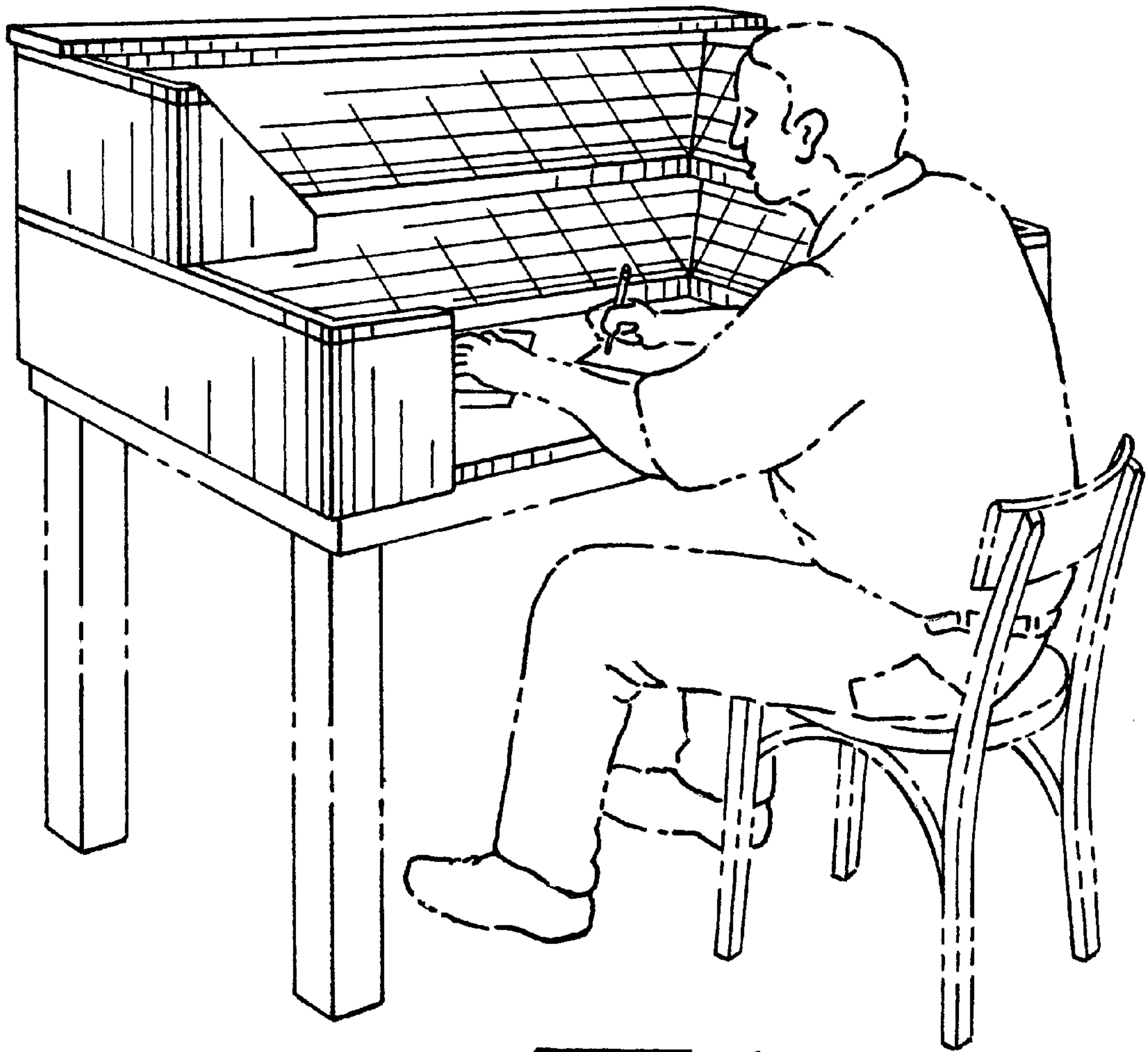


FIG. 6.