



US00D451705B1

(12) **United States Design Patent**
Rankin et al.

(10) **Patent No.:** **US D451,705 S**

(45) **Date of Patent:** **** Dec. 11, 2001**

(54) **DISPLAY RACK**

(76) Inventors: **Dennis E Rankin; Gail J Rankin**, both
of 7618 Fairplay Rd., Benton, AR (US)
72015

(**) Term: **14 Years**

(21) Appl. No.: **29/133,603**

(22) Filed: **Dec. 1, 2000**

(51) **LOC (7) Cl.** **06-04**

(52) **U.S. Cl.** **D6/464; D6/463**

(58) **Field of Search** D6/343, 397, 409-415,
D6/458, 462-468, 477, 479, 475, 455, 456,
546; 108/50.11, 59, 91, 92, 93; 211/13.1,
37, 38, 85.3, 85.4, 30, 34, 42, 49.1, 90.03,
106, 119, 134, 186-189, 181.1, 200, 204-208;
248/441.1, 465.1, 175, 451, 124.1, 448

(56) **References Cited**

U.S. PATENT DOCUMENTS

- D. 233,393 * 10/1974 Martin et al. D6/411 X
- D. 316,193 4/1991 Kee .
- D. 317,686 6/1991 Kee .
- D. 330,468 10/1992 Jester, Jr. .

- D. 342,171 * 12/1993 McConnell D6/464
- D. 358,508 5/1995 Levine .
- D. 369,035 * 4/1996 Potter D6/464
- 3,094,216 6/1963 Gordon .
- 3,351,211 11/1967 Best .

* cited by examiner

Primary Examiner—Cathron C. Brooks

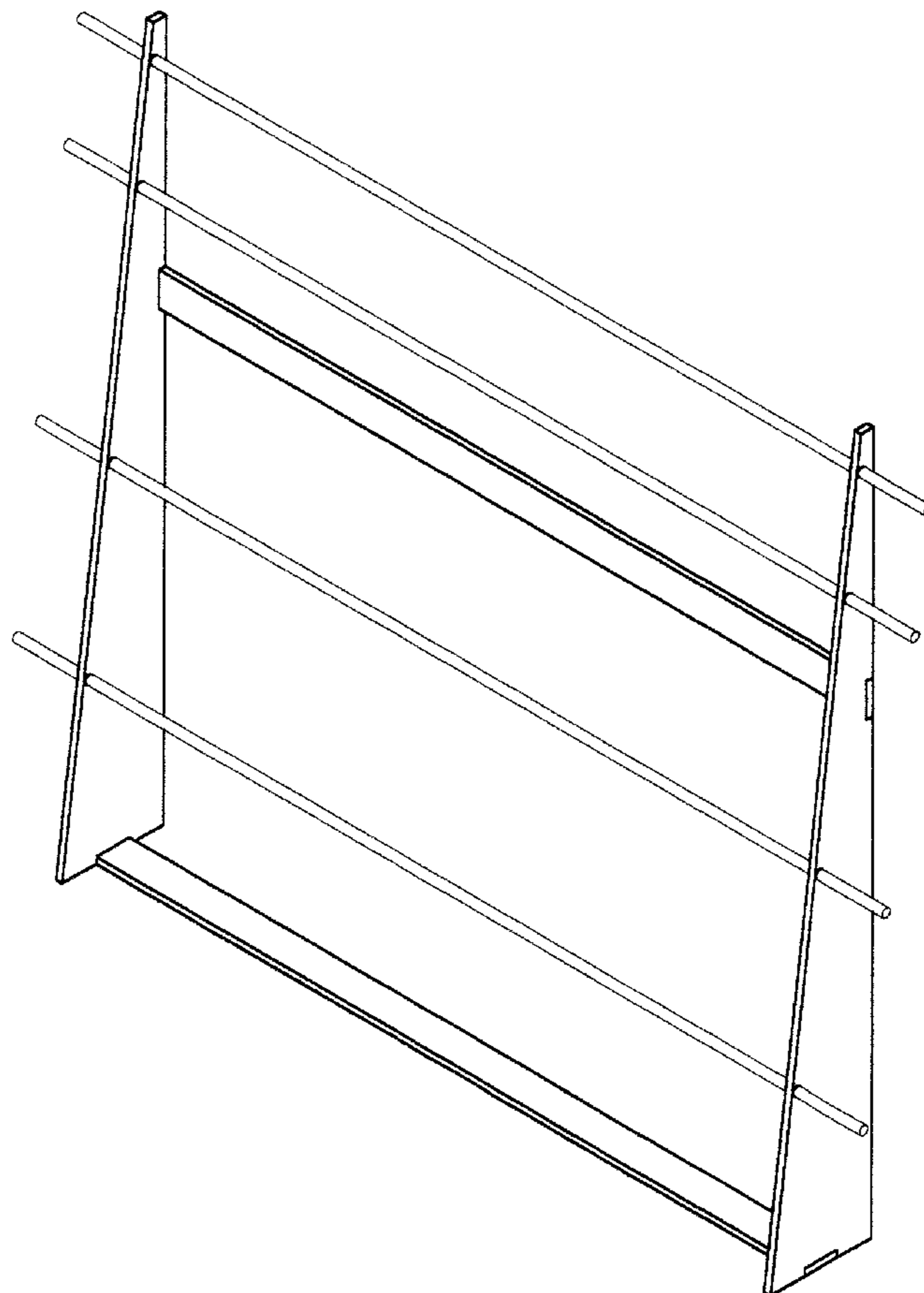
(57) **CLAIM**

The ornamental design for a display rack, as shown and described.

DESCRIPTION

FIG. 1 is a front elevational view of the display rack of the present invention;
 FIG. 2 is a rear elevational view of the display rack of FIG. 1;
 FIG. 3 is a right side elevational view of the display rack of FIG. 1, the left view being a mirror image thereof;
 FIG. 4 is a top plan view of the display rack of FIG. 1;
 FIG. 5 is a bottom plan view of the display rack of FIG. 1;
 and,
 FIG. 6 is a top, front, right side perspective view of the display rack of FIG. 1.

1 Claim, 4 Drawing Sheets



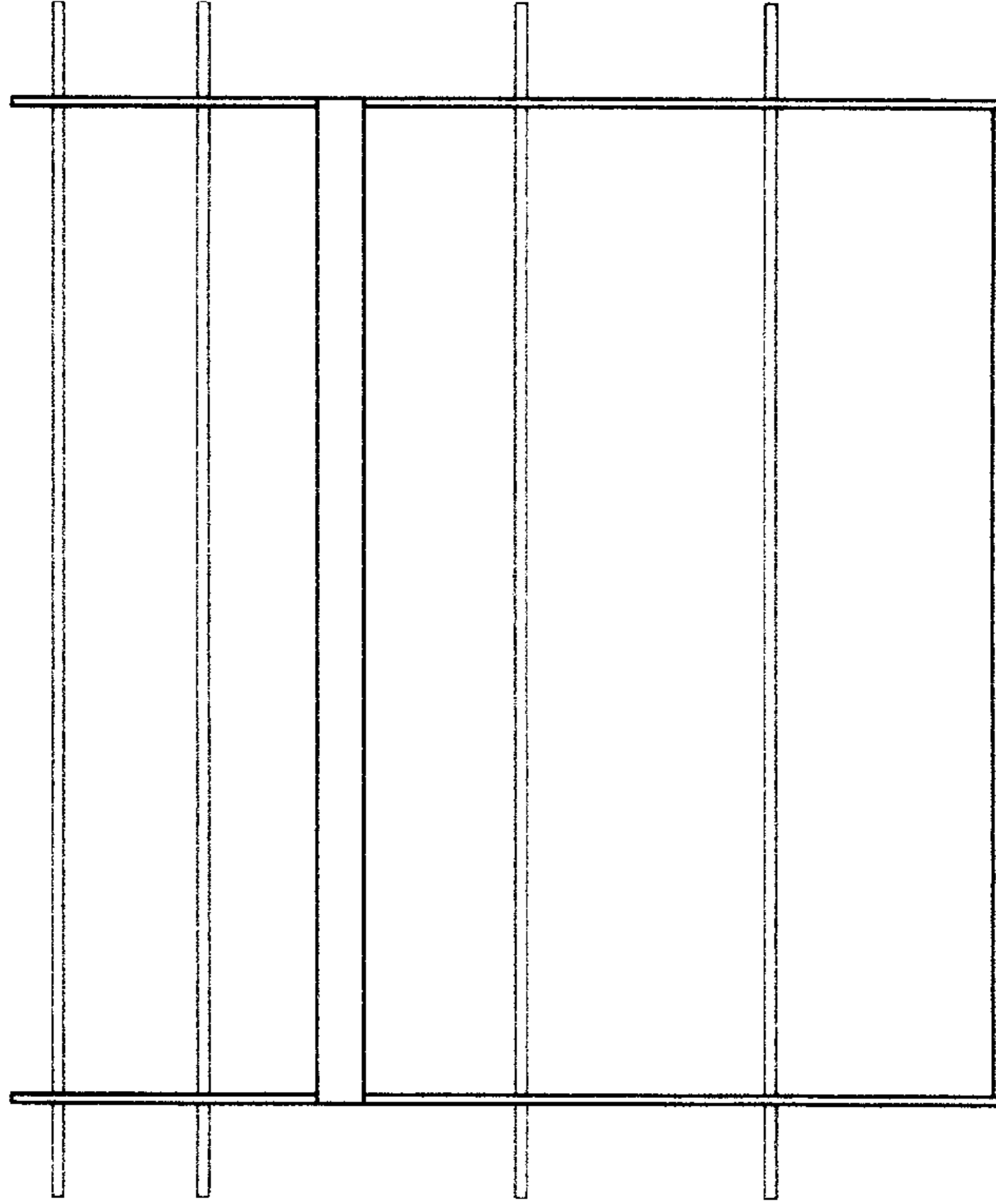


FIG. 1

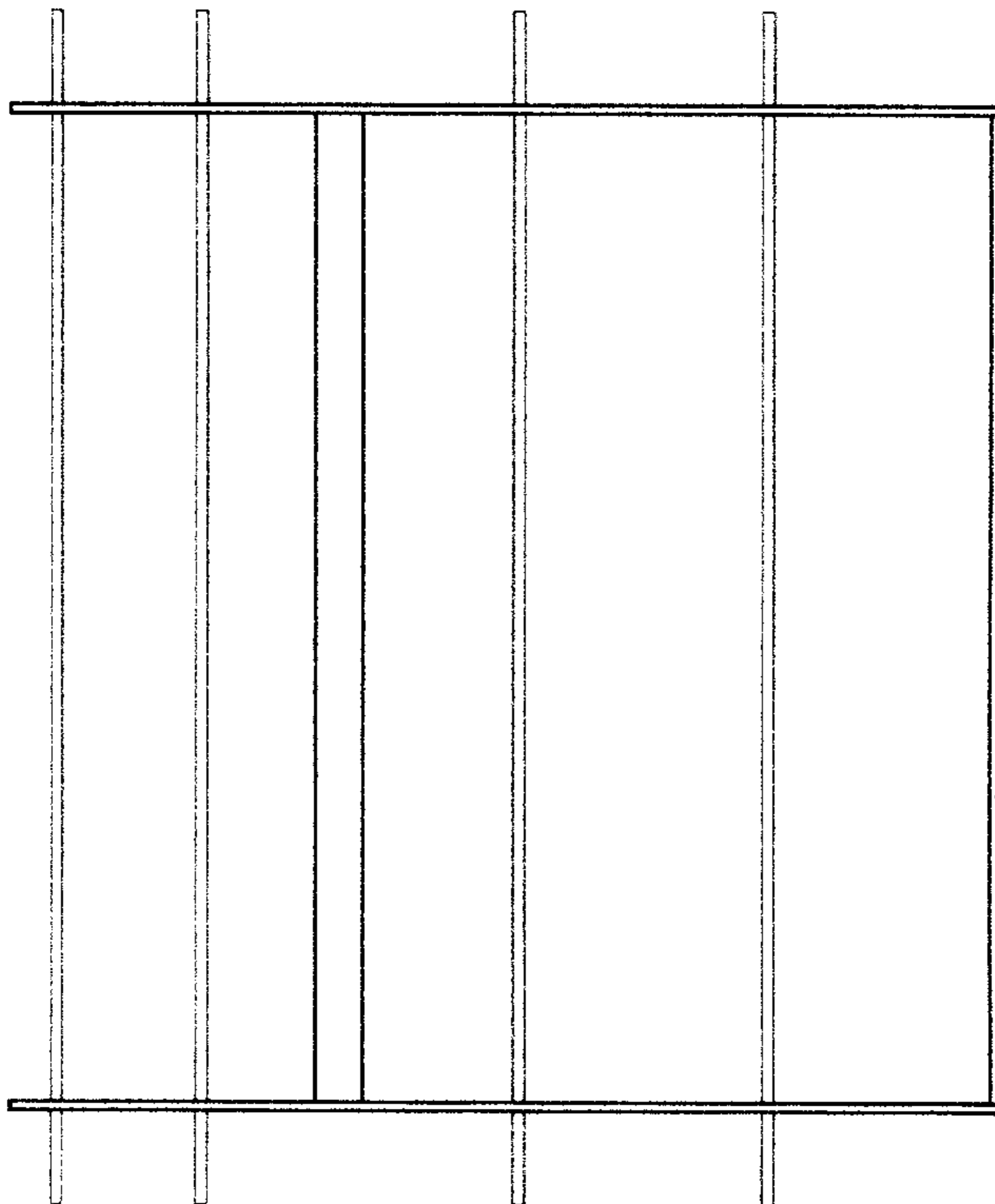


FIG. 2

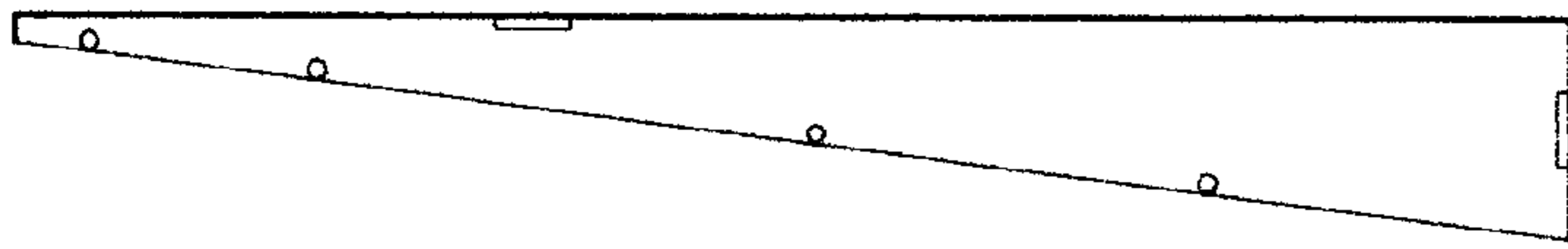


FIG. 3

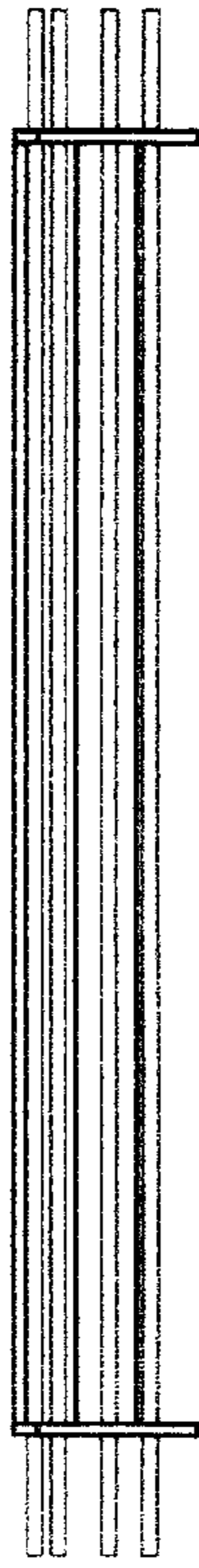


FIG. 5

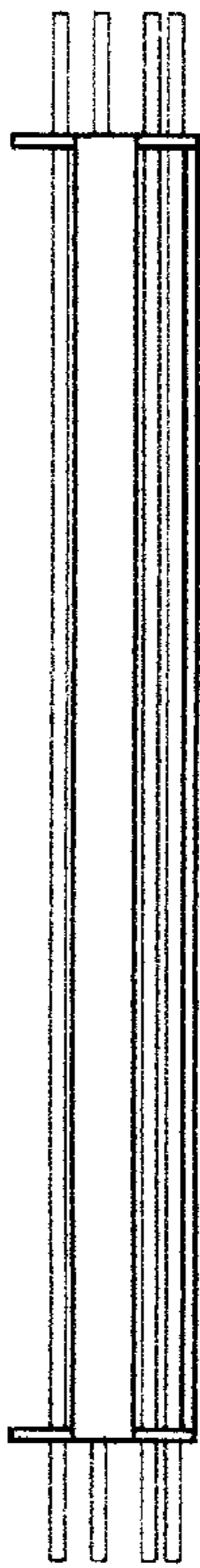


FIG. 4

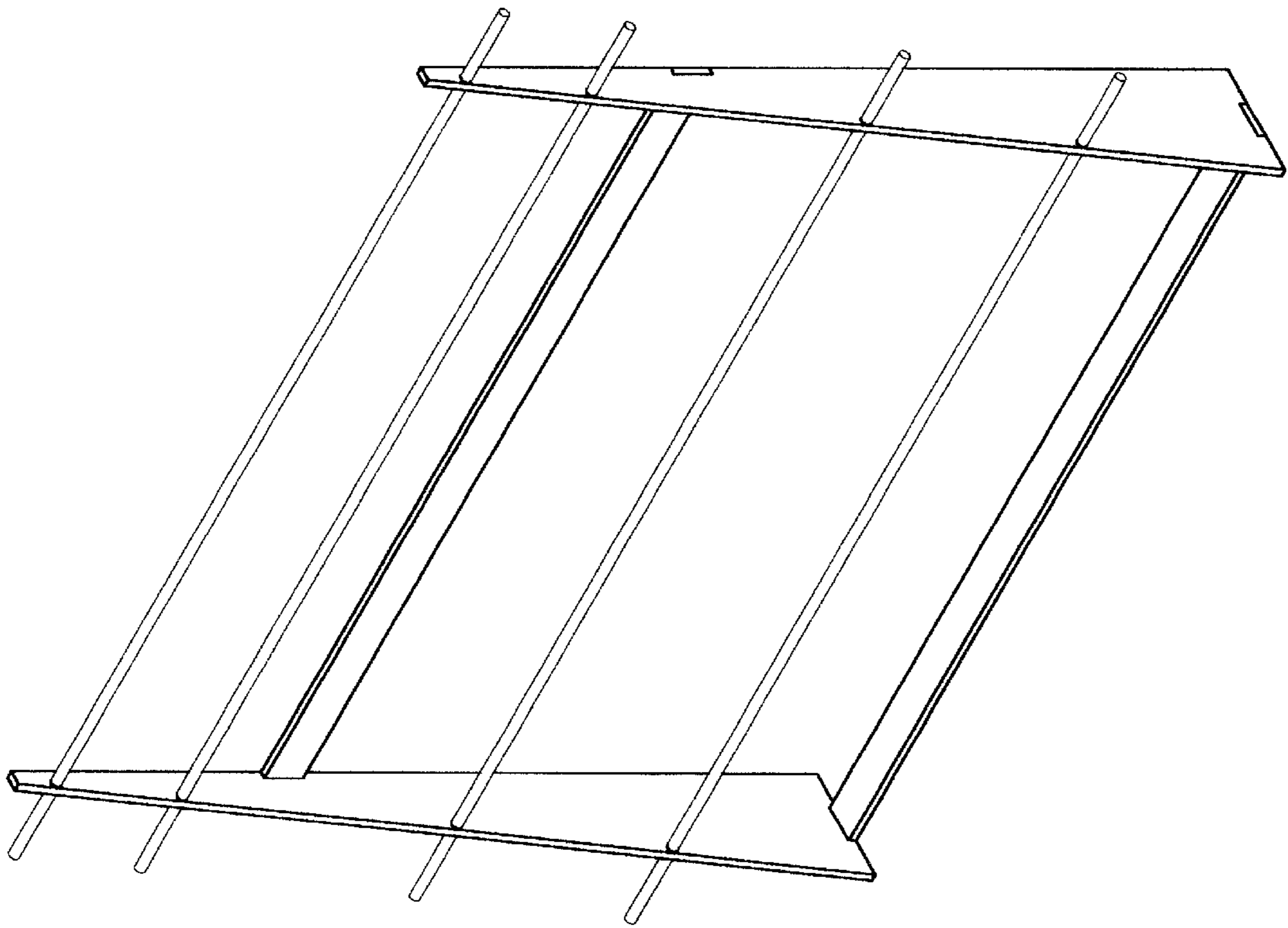


FIG. 6