



US00D451701B1

(12) **United States Design Patent**
Martin et al.

(10) **Patent No.:** **US D451,701 S**

(45) **Date of Patent:** **** Dec. 11, 2001**

(54) **TALKING PREPAID PHONE CARD DISPLAY**

D. 407,578 * 4/1999 Crinion D6/436
5,711,438 * 1/1998 Smith 248/174 X

(75) Inventors: **William Martin**, Miami Beach; **Shevin Goodman**, Hallandale, both of FL (US)

* cited by examiner

(73) Assignee: **World Wide Phone Card Corporation**

Primary Examiner—Nanda Bondade

(**) Term: **14 Years**

(74) *Attorney, Agent, or Firm*—Richard S. Ross, Esq.

(21) Appl. No.: **29/113,869**

(57) **CLAIM**

(22) Filed: **Nov. 15, 1999**

The ornamental design for a talking prepaid phone card display, as shown and described.

(51) **LOC (7) Cl.** **06-99**

DESCRIPTION

(52) **U.S. Cl.** **D6/446**

(58) **Field of Search** D6/396, 397, 408,
D6/413-415, 420-428, 432-477; D34/19,
20; 5/93.1; 248/174; 312/204, 208, 250

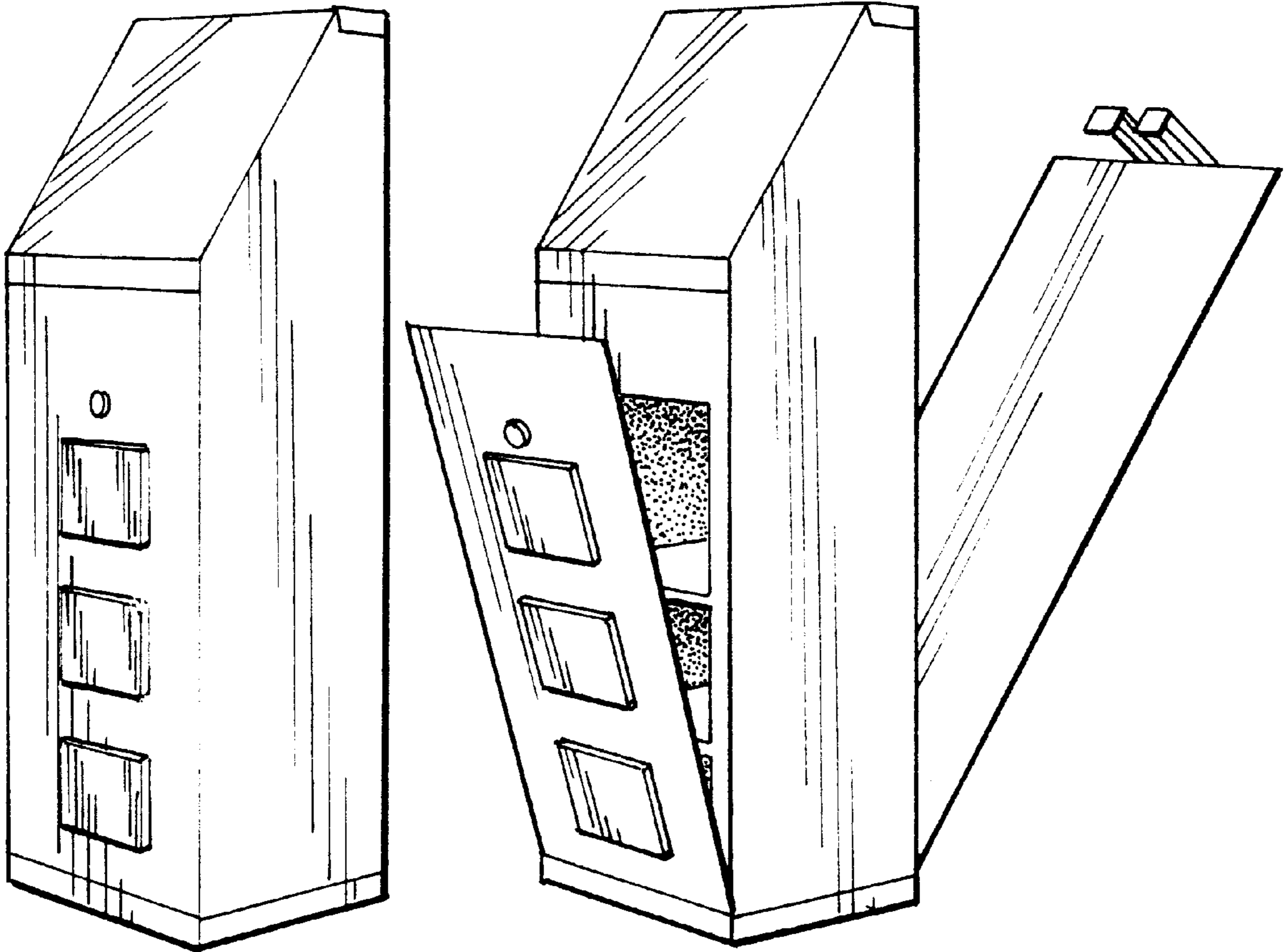
FIG. 1 perspective view of the present invention;
FIG. 2 is a perspective view of the present invention showing open front and back doors;
FIG. 3 is a front elevation view of the present invention;
FIG. 4 is a right side elevation view of the present invention;
FIG. 5 is a left side elevation view of the present invention;
FIG. 6 is a back elevation view of the present invention;
FIG. 7 is a top plan view of the present invention; and,
FIG. 8 is a bottom plan view of the present invention.

(56) **References Cited**

U.S. PATENT DOCUMENTS

D. 239,240 * 3/1976 Buday et al. D6/437
D. 314,075 * 1/1991 Hollerback et al. D34/19 X
D. 328,203 * 7/1992 Allen D6/396

1 Claim, 1 Drawing Sheet



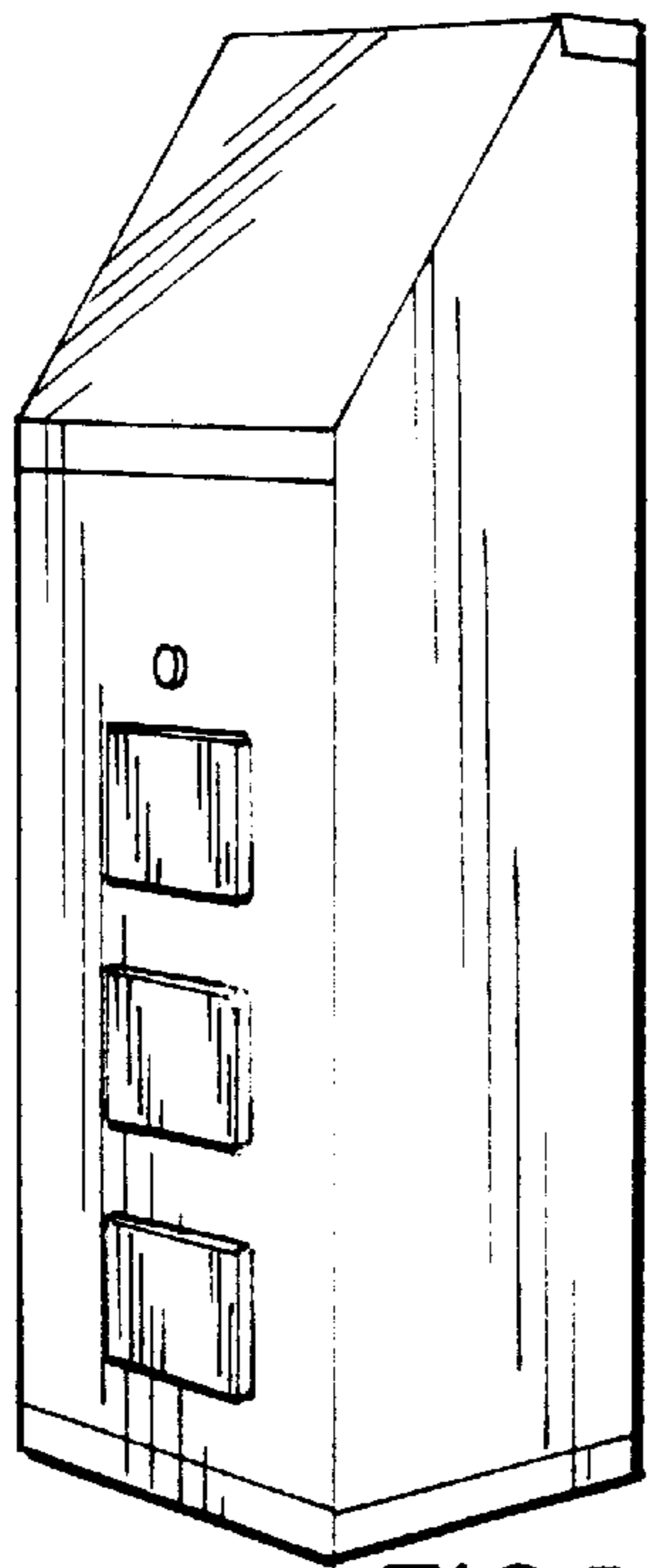


FIG. 1

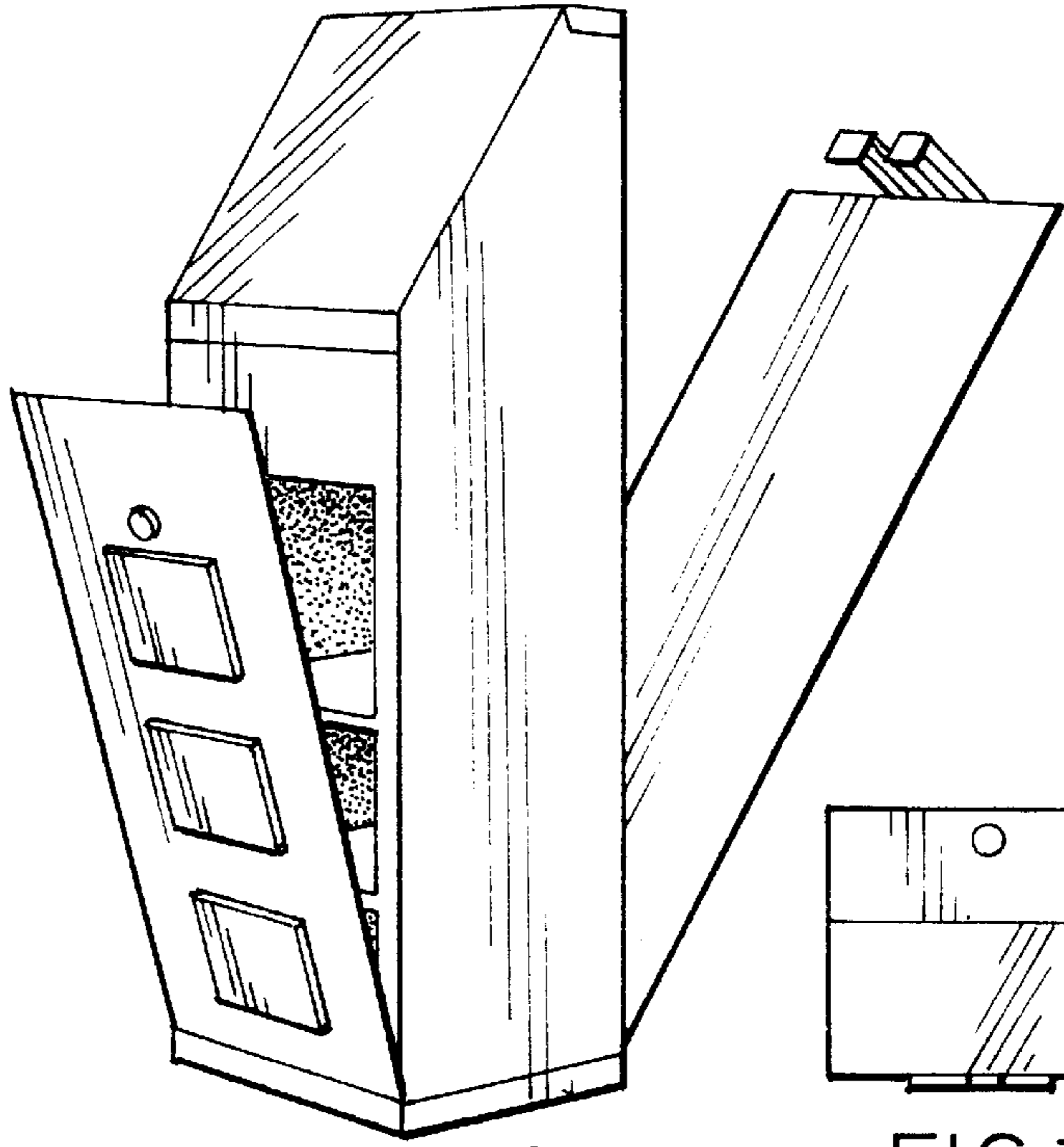


FIG. 2

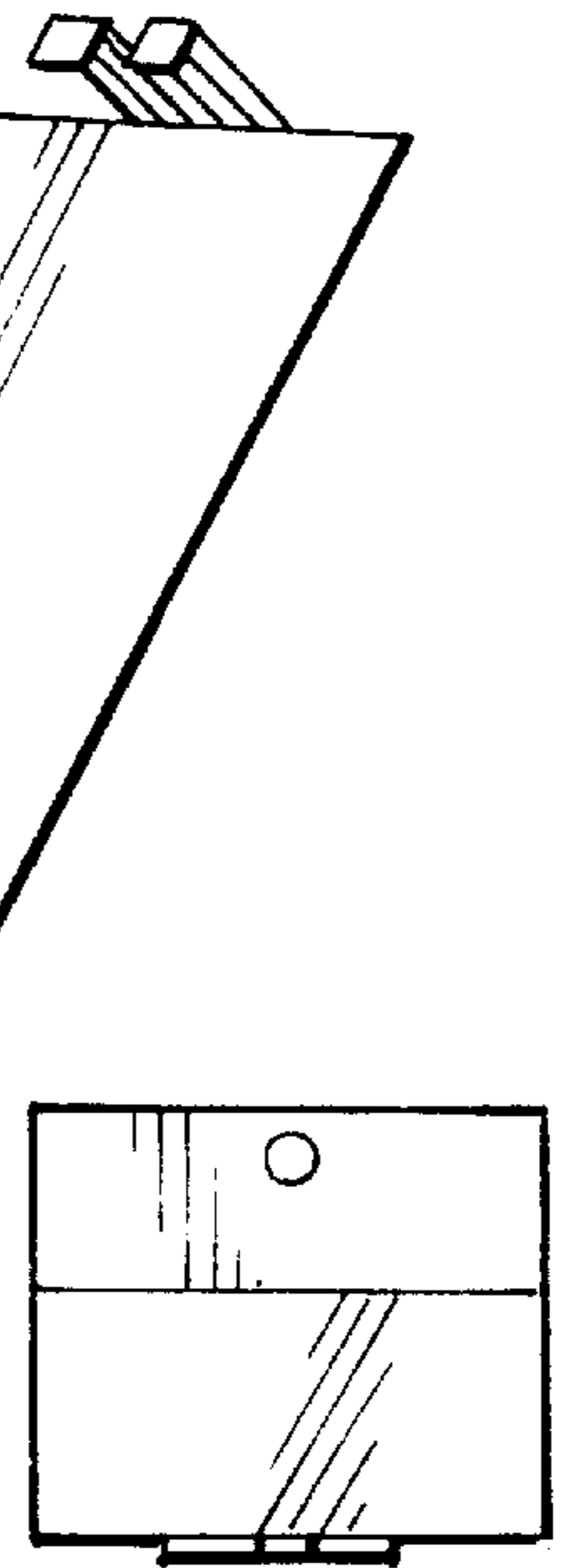


FIG. 7

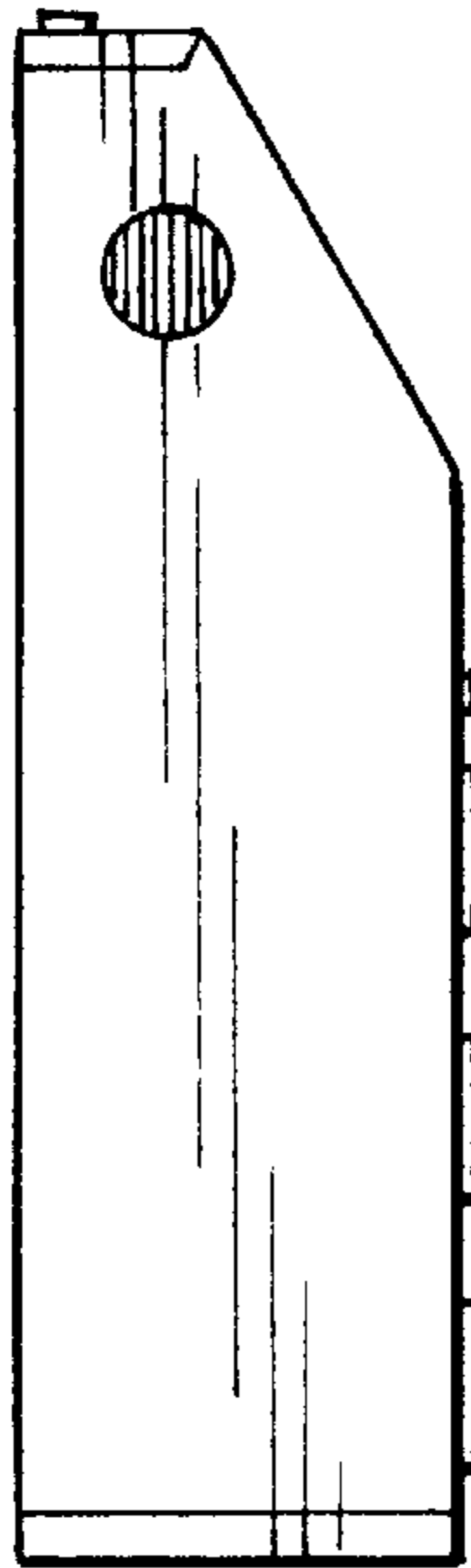


FIG. 4

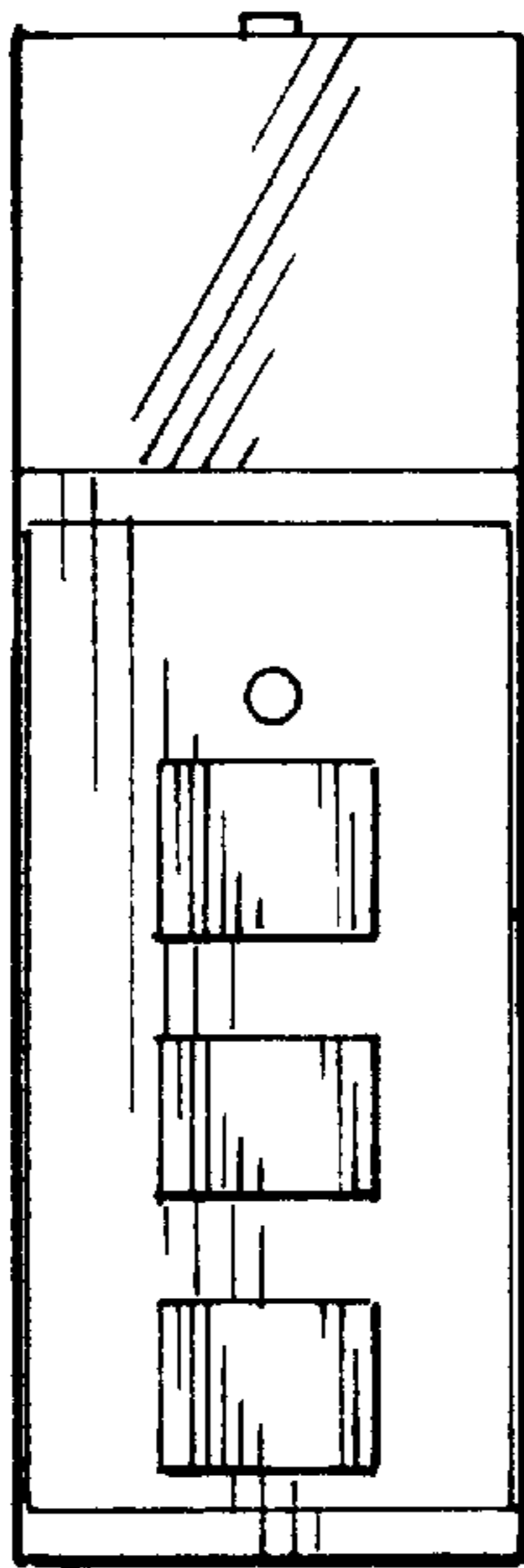


FIG. 3

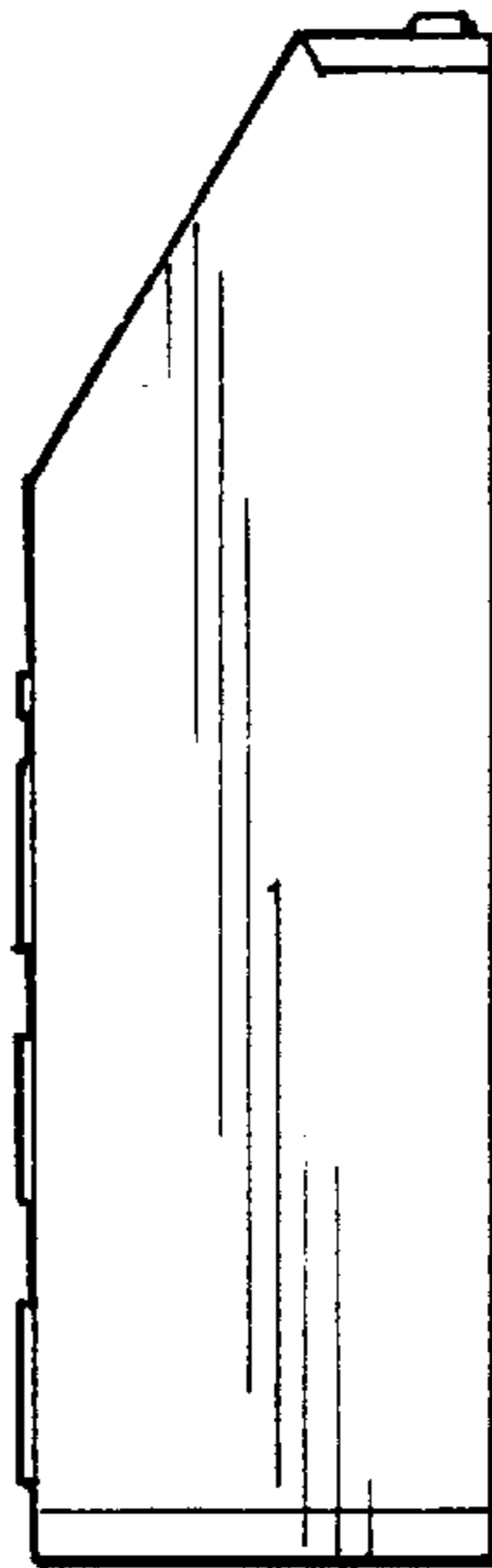


FIG. 5

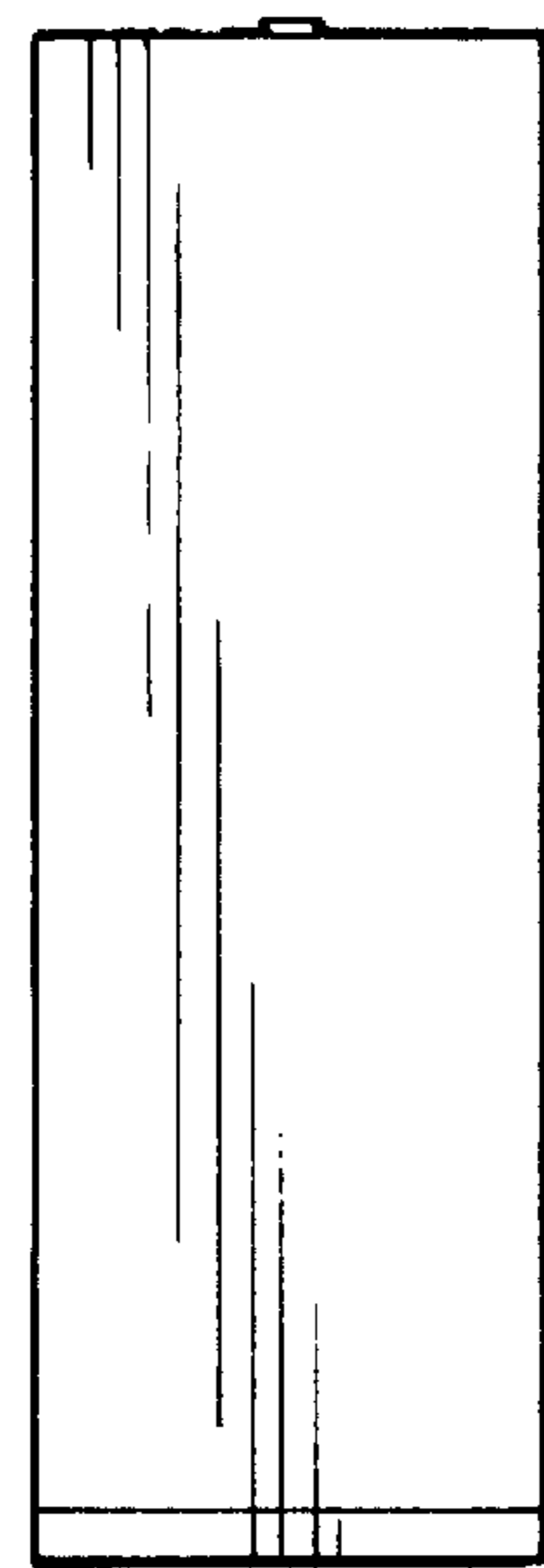


FIG. 6

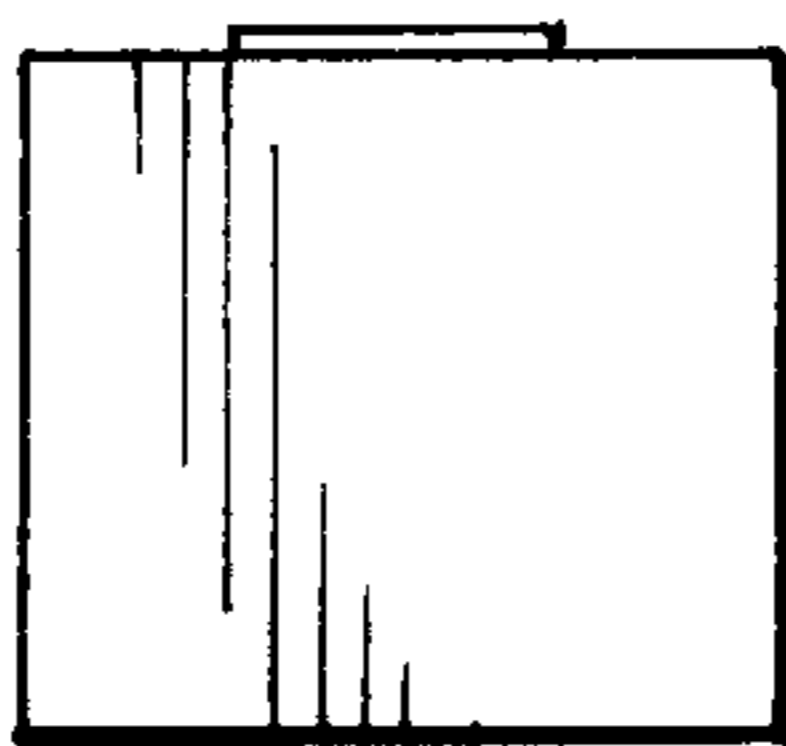


FIG. 8