



US00D451697B1

(12) **United States Design Patent**  
**Morley**

(10) **Patent No.:** **US D451,697 S**

(45) **Date of Patent:** **\*\* Dec. 11, 2001**

(54) **PLANT STAND**

(76) Inventor: **Kevin Morley**, P.O. Box 853, Port Perry, Ontario (CA), L9L 1A7

(\*\*) Term: **14 Years**

(21) Appl. No.: **29/126,850**

(22) Filed: **Jul. 25, 2000**

(51) **LOC (7) Cl.** ..... **06-99**

(52) **U.S. Cl.** ..... **D6/403**

(58) **Field of Search** ..... D11/143, 144,  
D11/152-154; D6/403, 404, 405, 556; D8/370;  
47/39, 41.01, 65.5, 67, 47; 206/423.1; 248/27.8,  
121, 127, 122.1; 211/85.31, 95, 75, 103,  
106

(56) **References Cited**

**U.S. PATENT DOCUMENTS**

D. 88,582	*	12/1932	Scott et al.	.....	D6/403
D. 96,418	*	7/1935	Scott et al.	.....	D6/403
284,090	*	8/1883	Tingle	.....	211/75
D. 357,596	*	4/1995	Kragt et al.	.....	D6/556
1,536,678	*	5/1925	Markowski	.....	47/47

1,797,077	*	3/1931	Dew et al.	.....	248/121
2,174,093	*	9/1939	Perlman	.....	211/75

\* cited by examiner

*Primary Examiner*—Doris V. Coles

*Assistant Examiner*—Mimosa De

(74) *Attorney, Agent, or Firm*—Haugen Law Firm PLLP

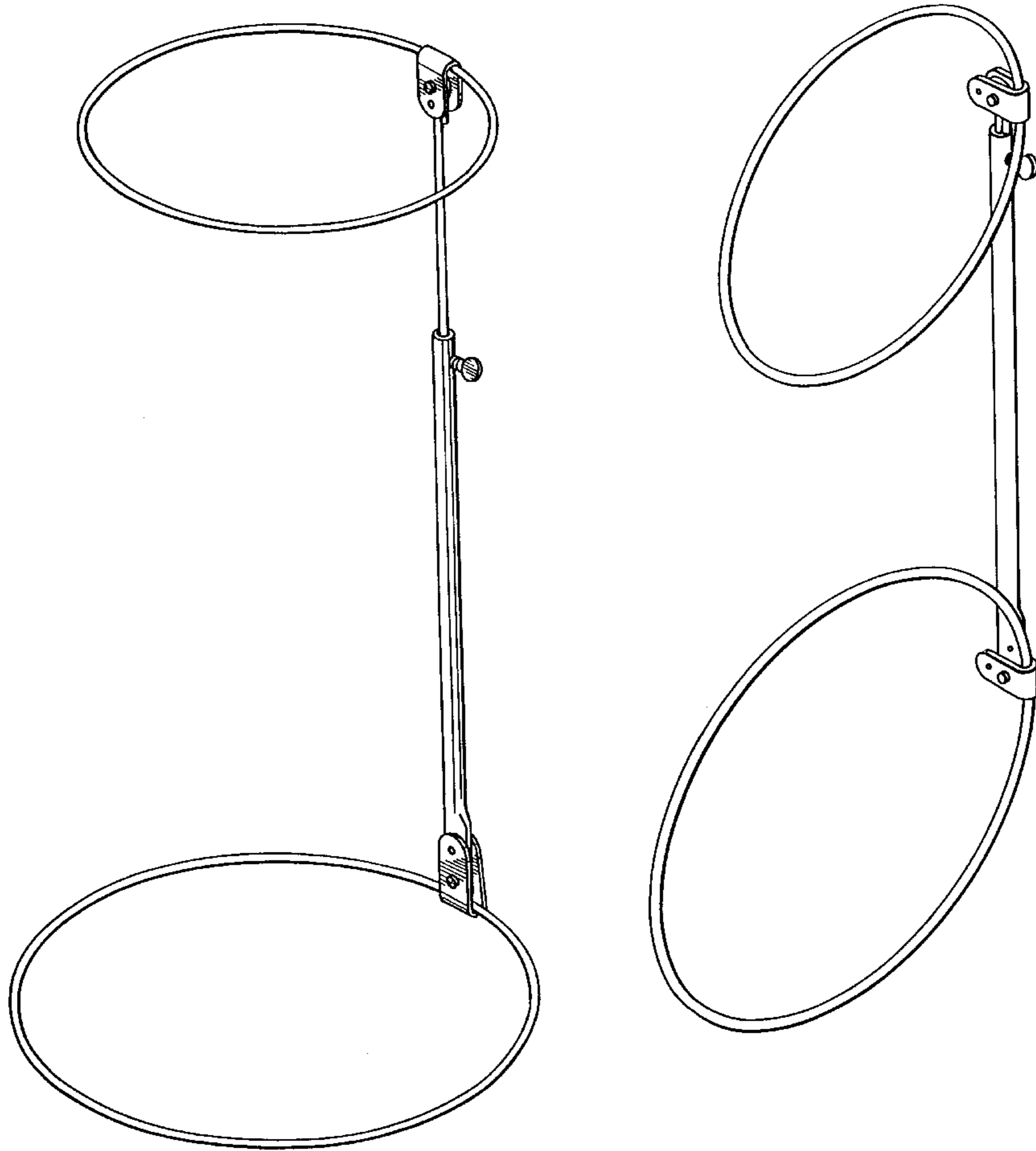
(57) **CLAIM**

The ornamental design for the plant stand, as shown and described.

**DESCRIPTION**

FIG. 1 is a perspective view of the plant stand;  
FIG. 2 is a front plan view of the plant stand;  
FIG. 3 is a side elevational view of the plant stand;  
FIG. 4 is a side elevational view, opposite to FIG. 3, of the plant stand;  
FIG. 5 is a rear plan view of the plant stand;  
FIG. 6 is a top plan view of the plant stand;  
FIG. 7 is a bottom plan view of the plant stand; and,  
FIG. 8 is a perspective view of the plant stand shown in a collapsed orientation.

**1 Claim, 7 Drawing Sheets**



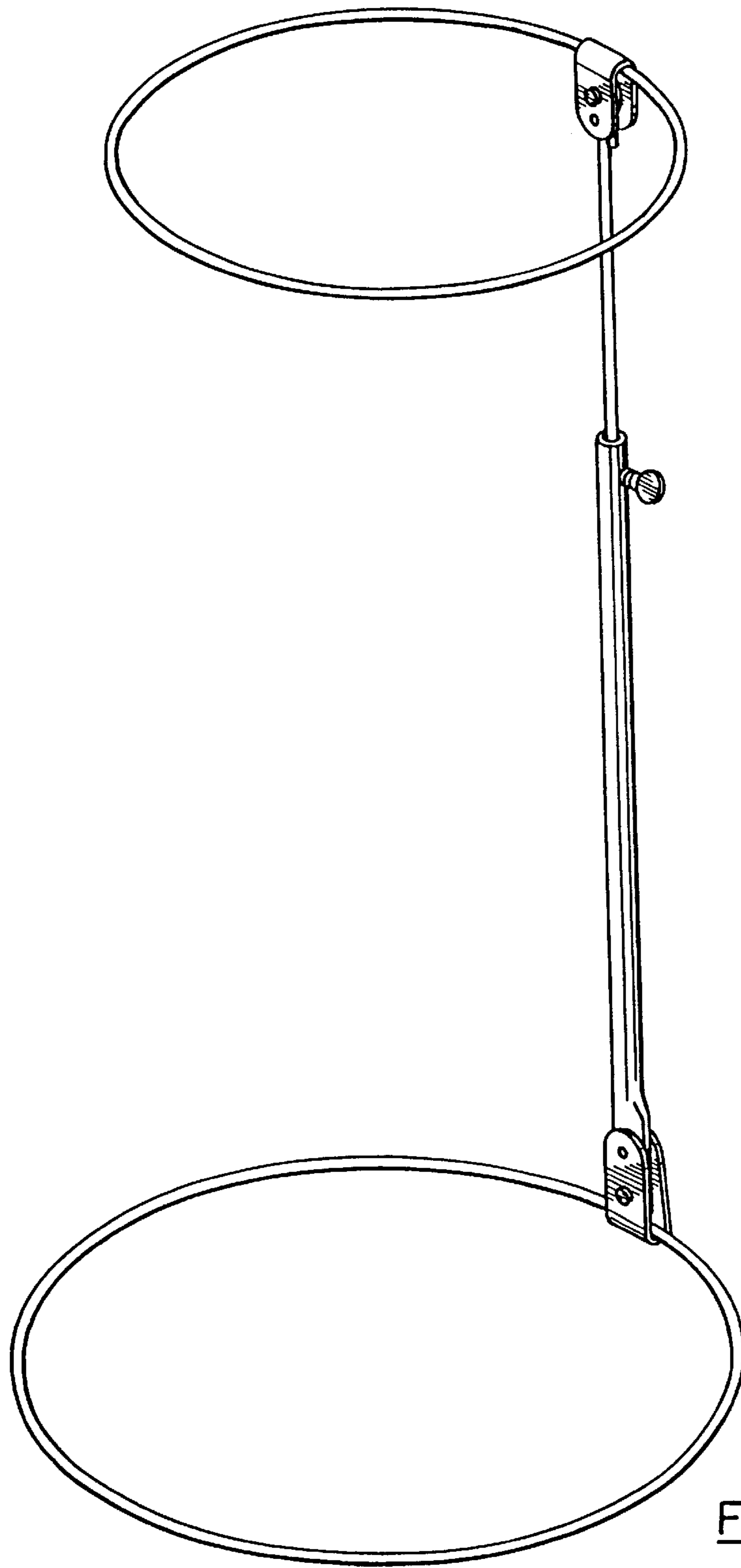


FIG. 1

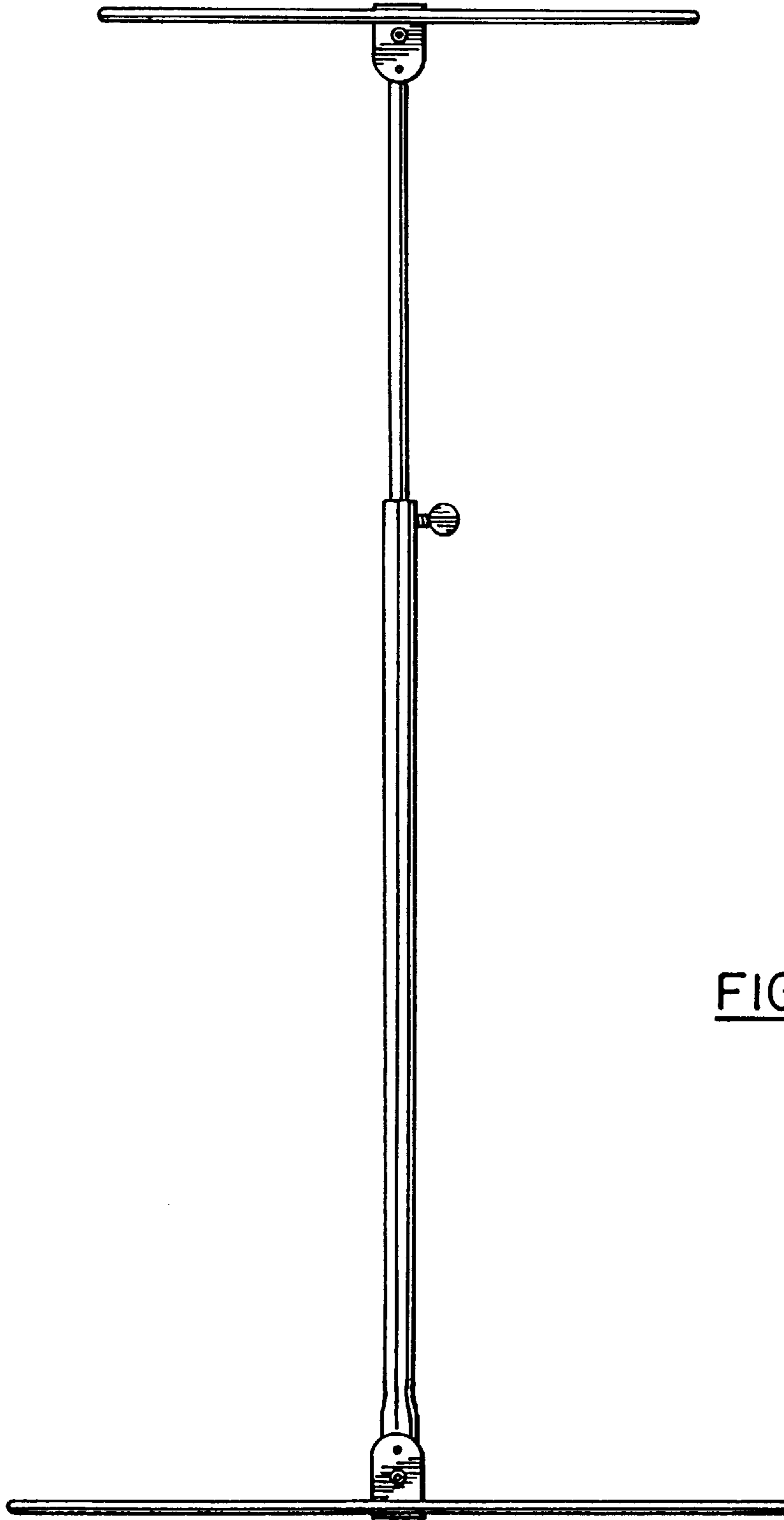
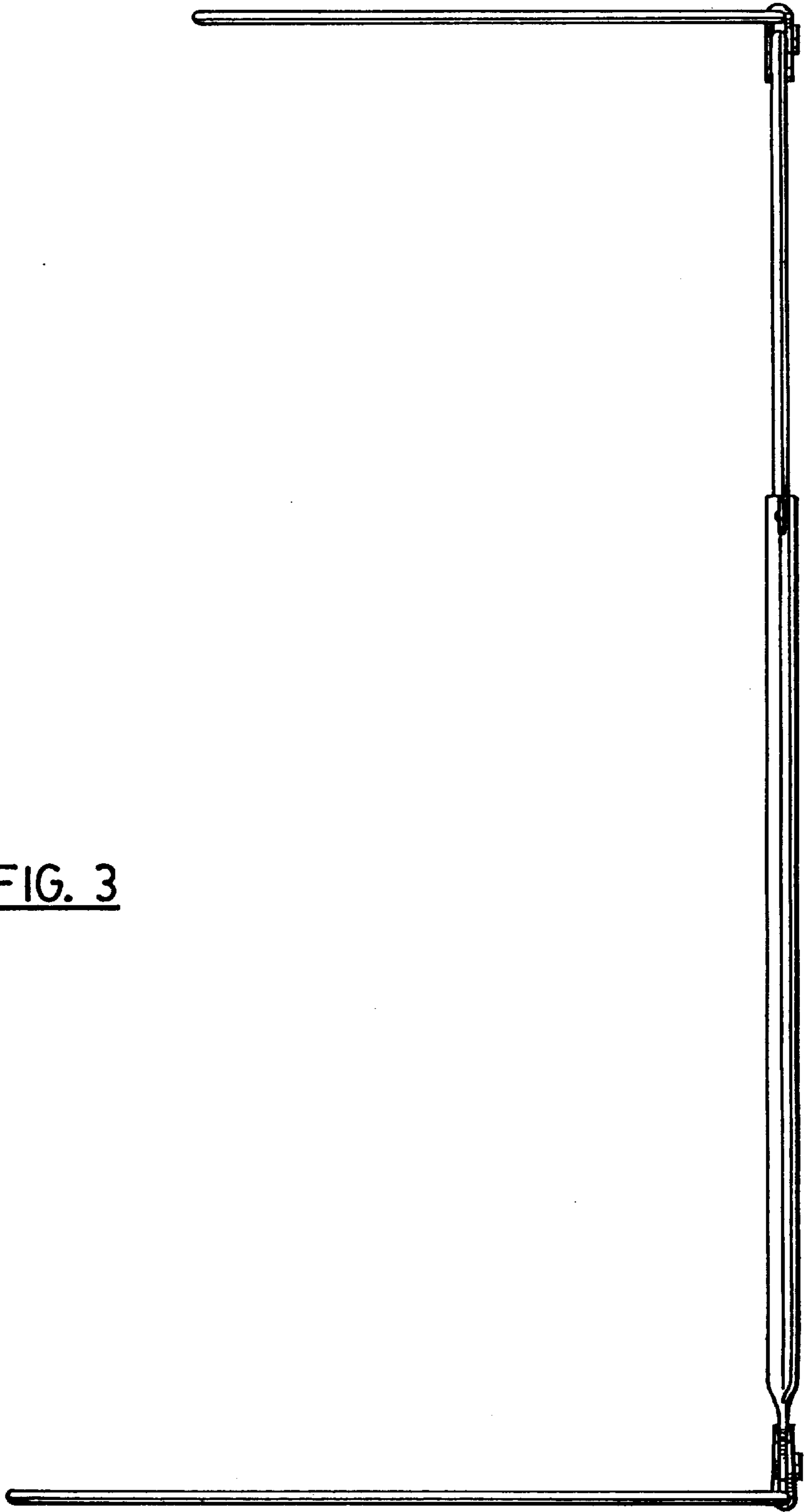


FIG. 2

FIG. 3



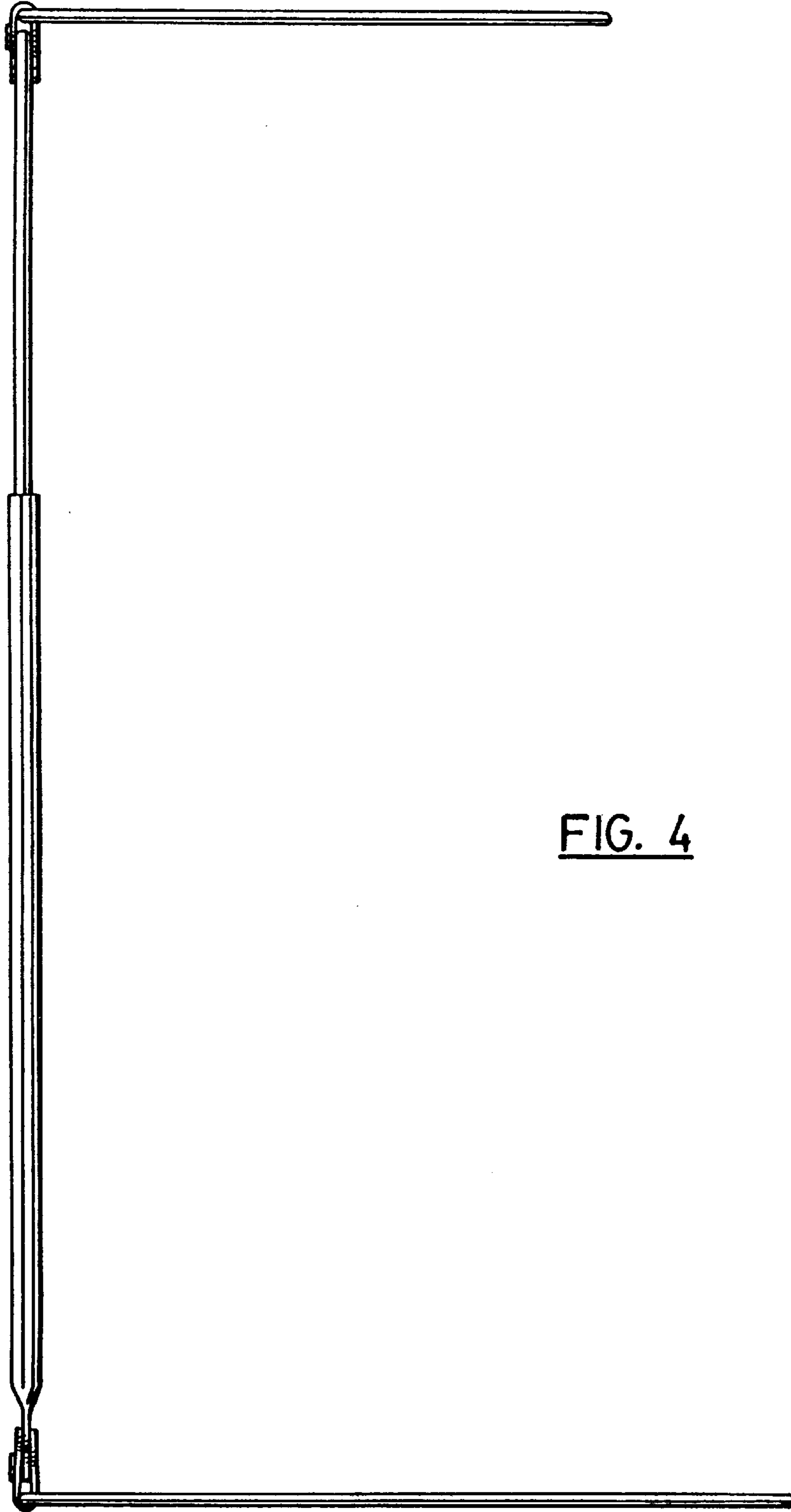


FIG. 4

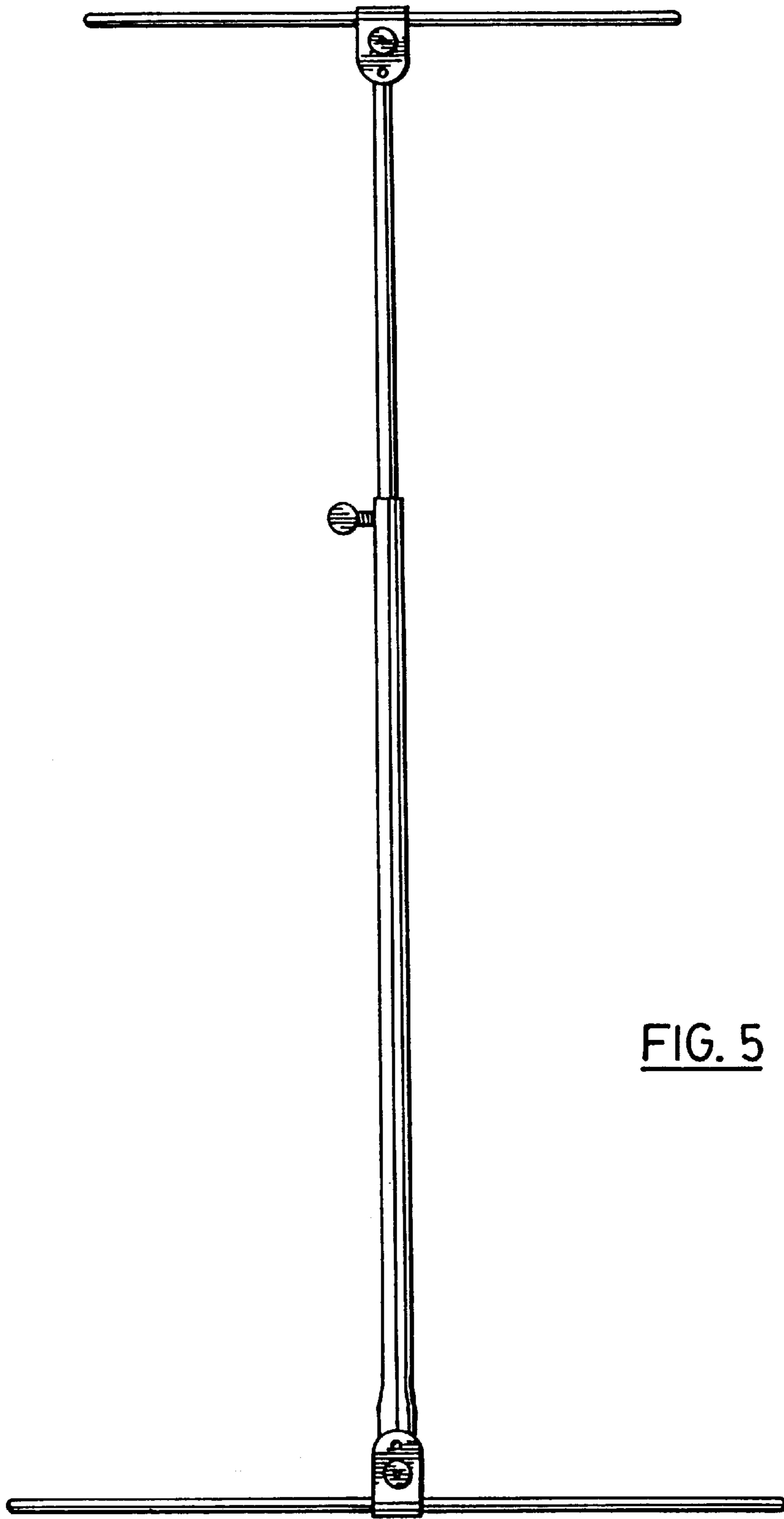


FIG. 5

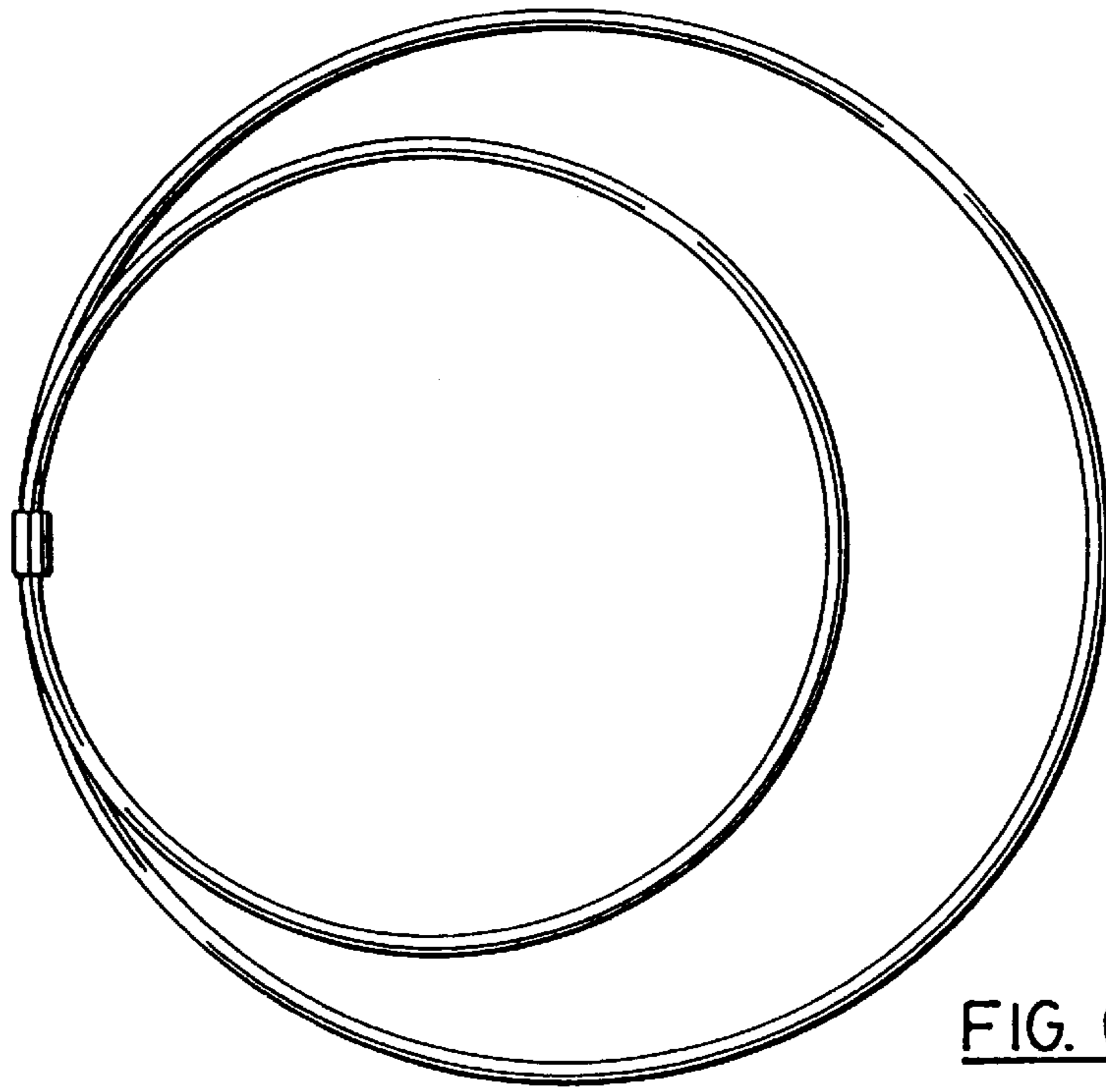


FIG. 6

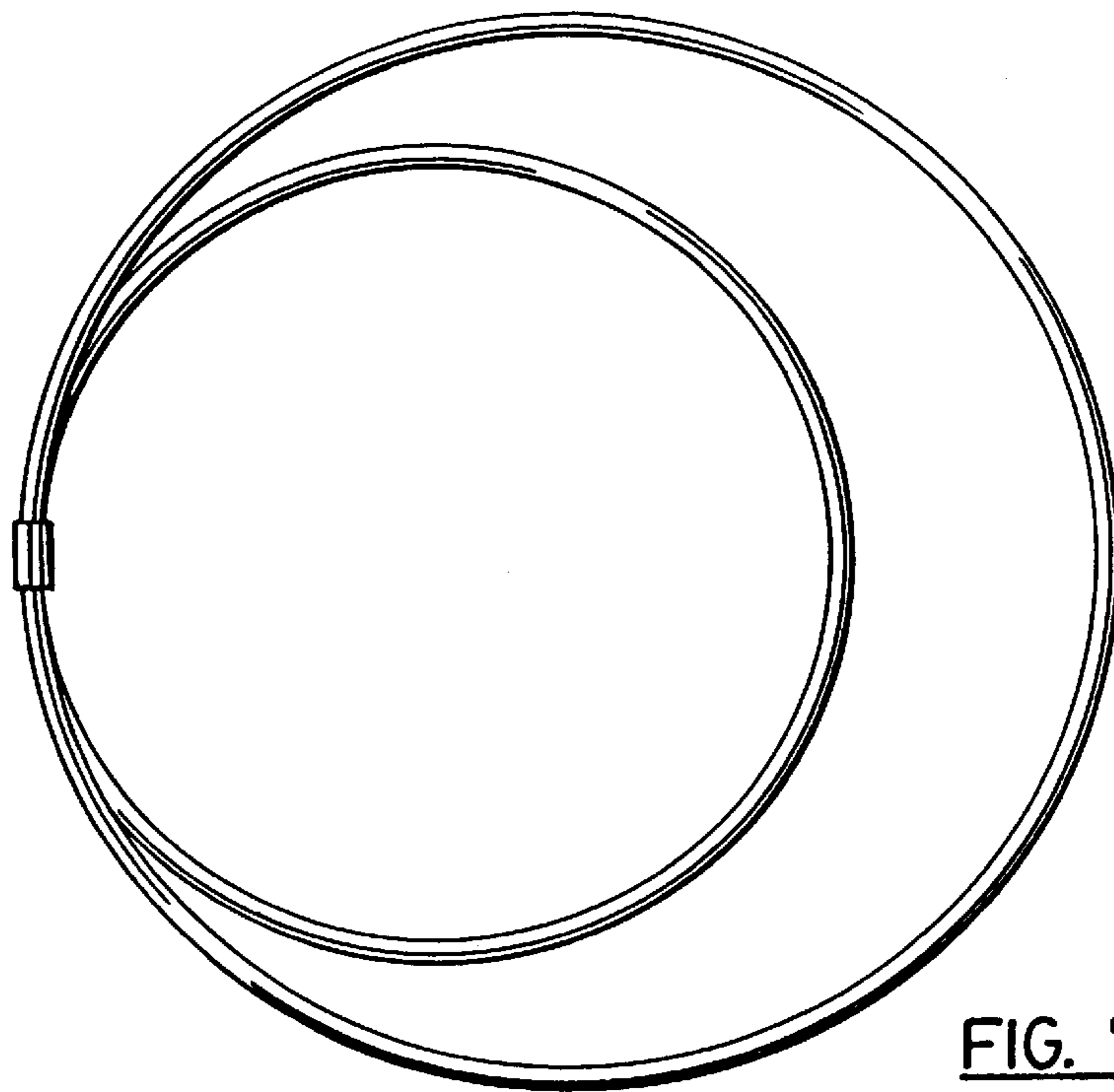


FIG. 7

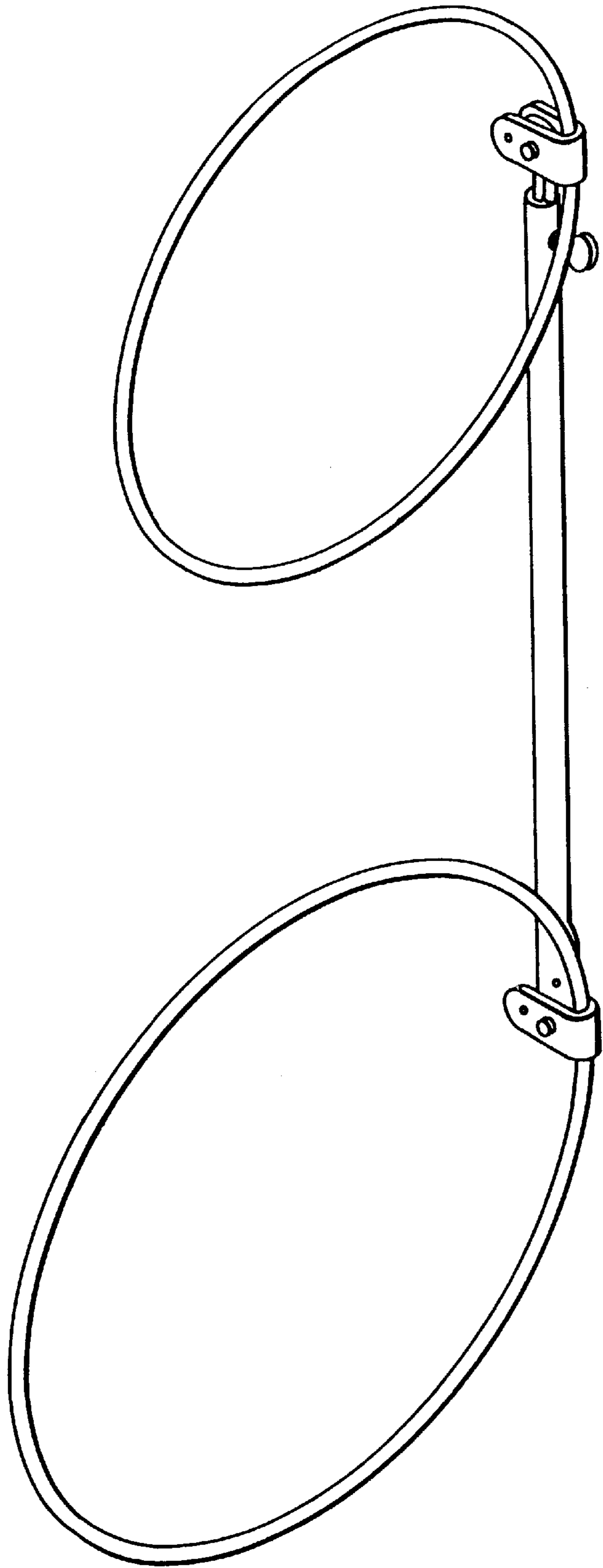


FIG 8