



US00D451696B1

(12) **United States Design Patent**  
**Boerner et al.**

(10) **Patent No.:** **US D451,696 S**

(45) **Date of Patent:** **\*\* Dec. 11, 2001**

(54) **BED**

D. 413,455 \* 9/1999 Lacroix et al. .... D6/393

(76) Inventors: **Ted Boerner**, 10 Arkansas St., San Francisco, CA (US) 94107; **Craig Stout**, 20 Stepney Rd., Redding, CT (US) 06876

\* cited by examiner

*Primary Examiner*—Janice E. Seeger

(\*\*) Term: **14 Years**

(57) **CLAIM**

The ornamental design for a bed, as shown and described.

(21) Appl. No.: **29/133,143**

**DESCRIPTION**

(22) Filed: **Nov. 22, 2000**

(51) **LOC (7) Cl.** ..... **06-01**

(52) **U.S. Cl.** ..... **D6/393**

(58) **Field of Search** ..... D6/382, 393-395, D6/505-508; 5/53.1, 279.1, 280, 281, 907

FIG. 1 is a perspective view showing the new design;  
FIG. 2 is a bottom end view thereof;  
FIG. 3 is a top view thereof;  
FIG. 4 is a side view thereof, the opposite side being a mirror image thereof;  
FIG. 5 is a top end view thereof; and,  
FIG. 6 is a bottom view thereof.

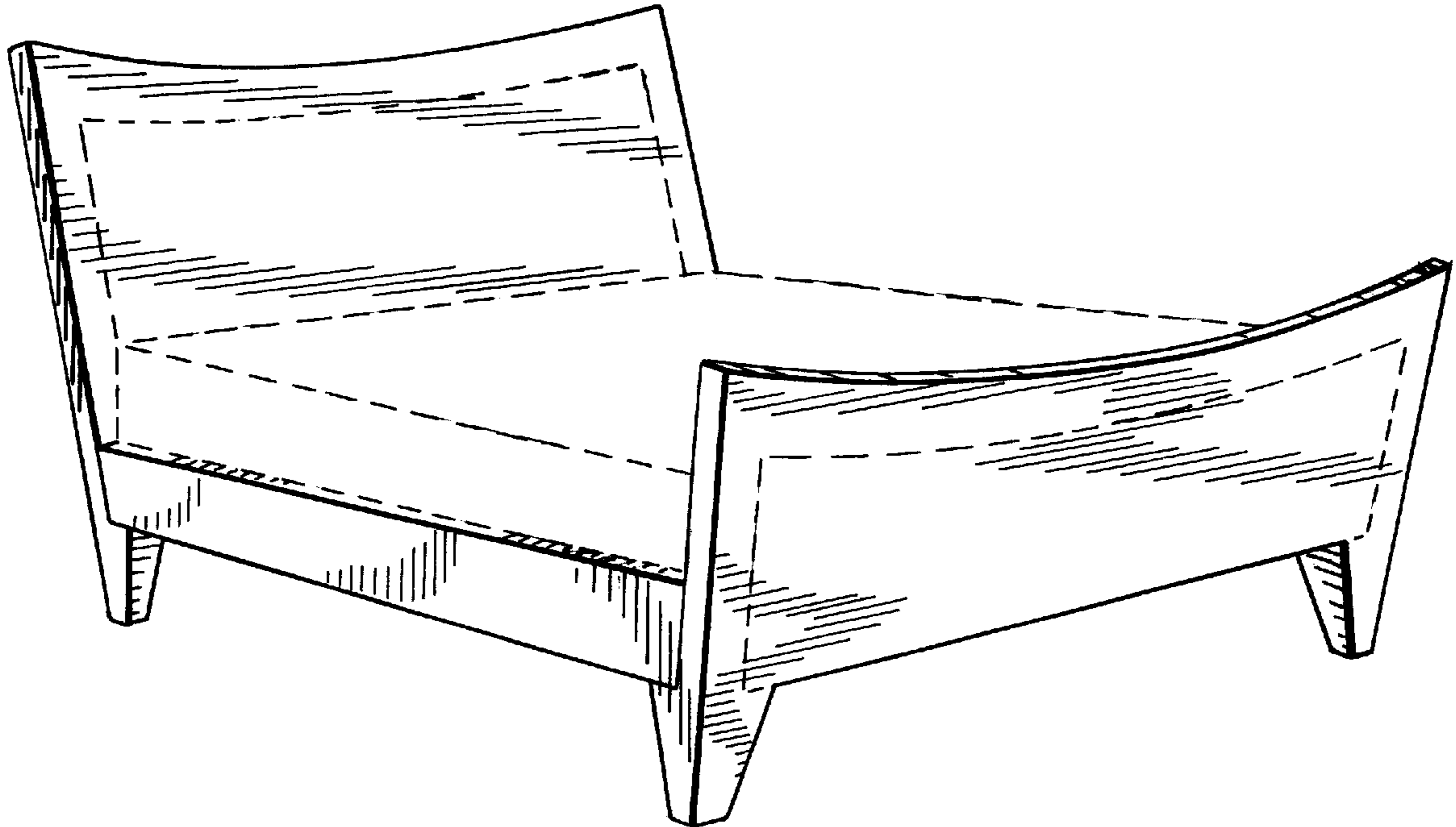
(56) **References Cited**

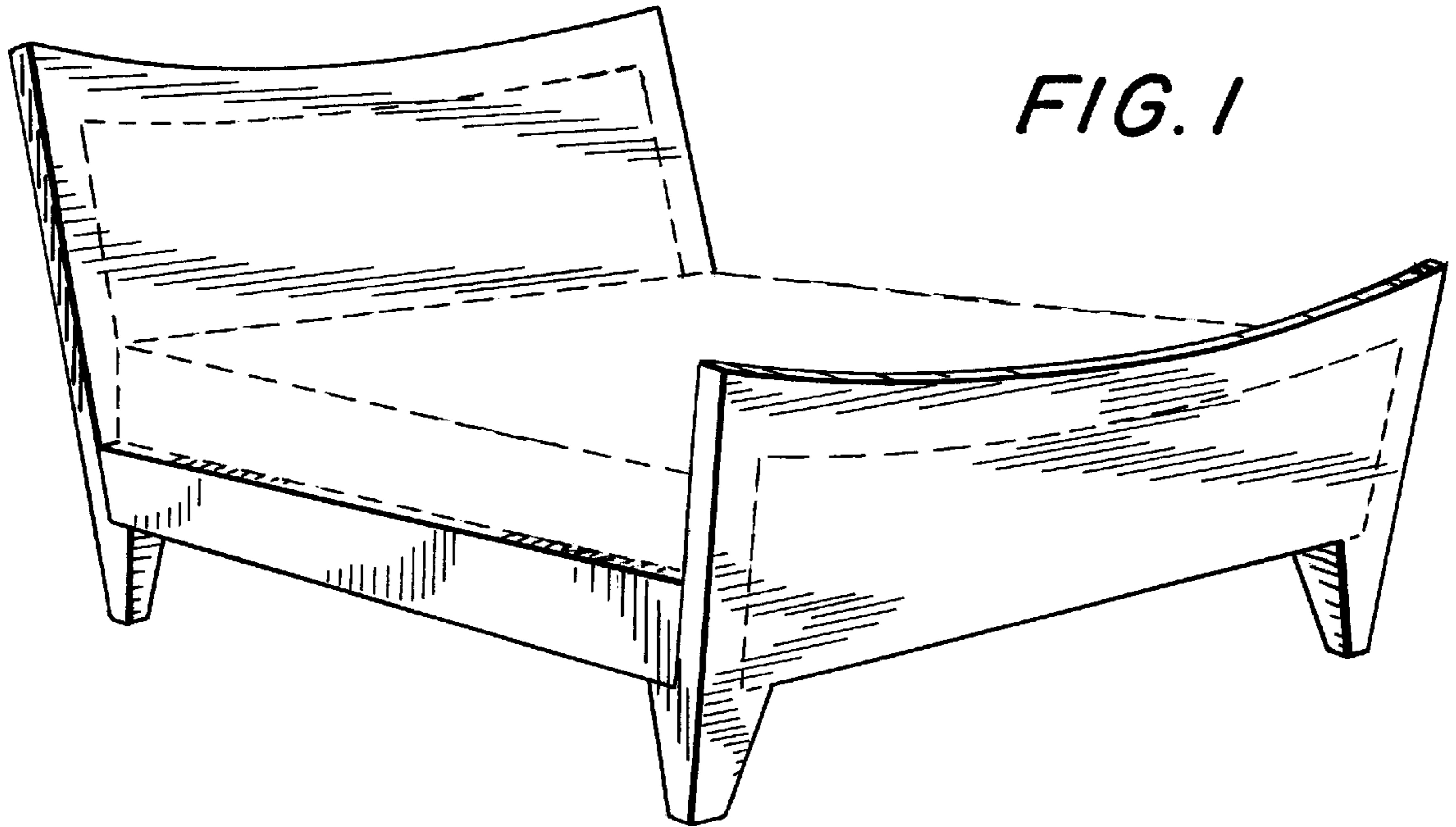
The broken lines are for environmental purposes only and form no part of the claimed design.

**U.S. PATENT DOCUMENTS**

- D. 165,074 \* 11/1951 Herrmann .....
- D. 367,773 \* 3/1996 Lewis ..... D6/393

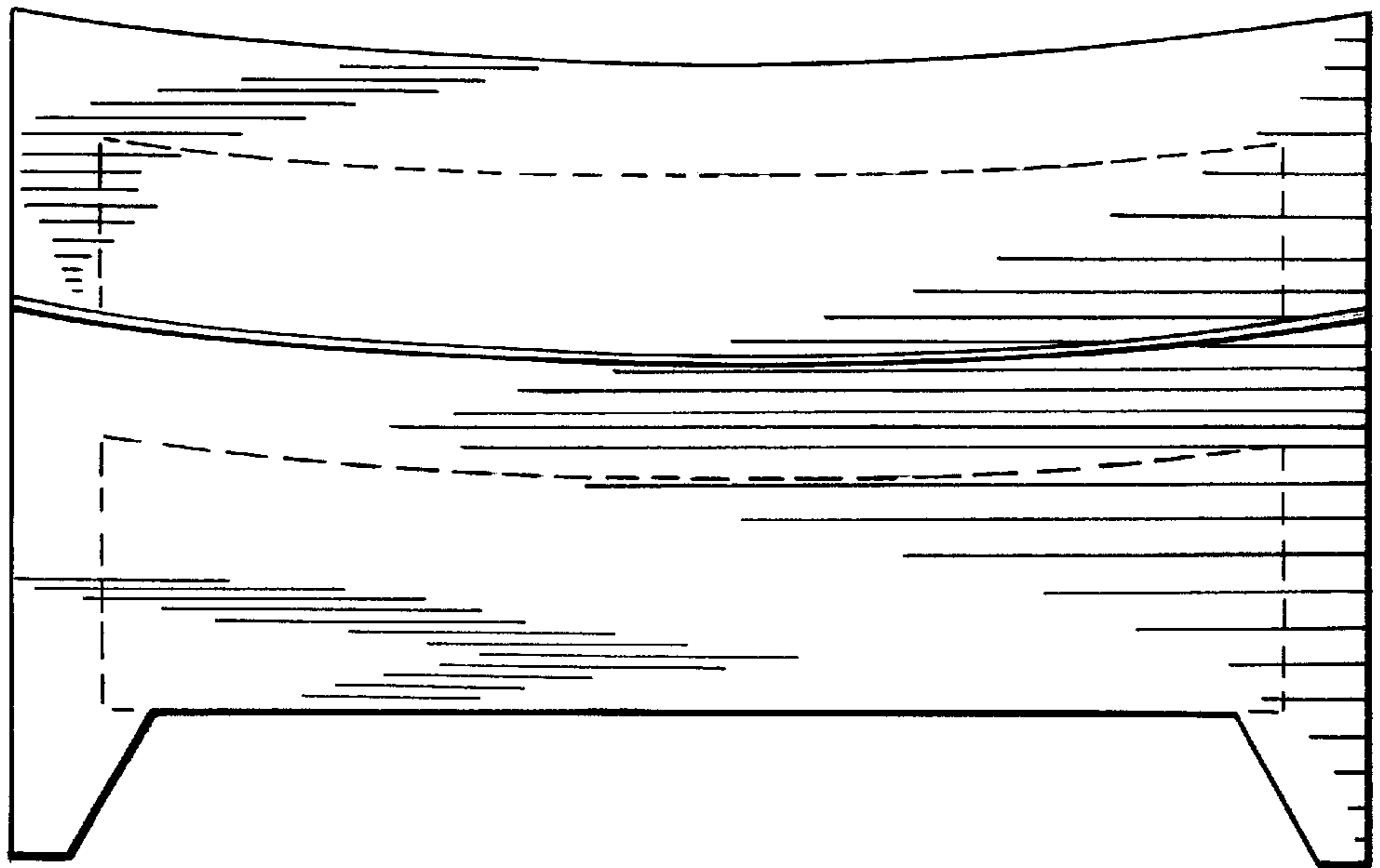
**1 Claim, 3 Drawing Sheets**



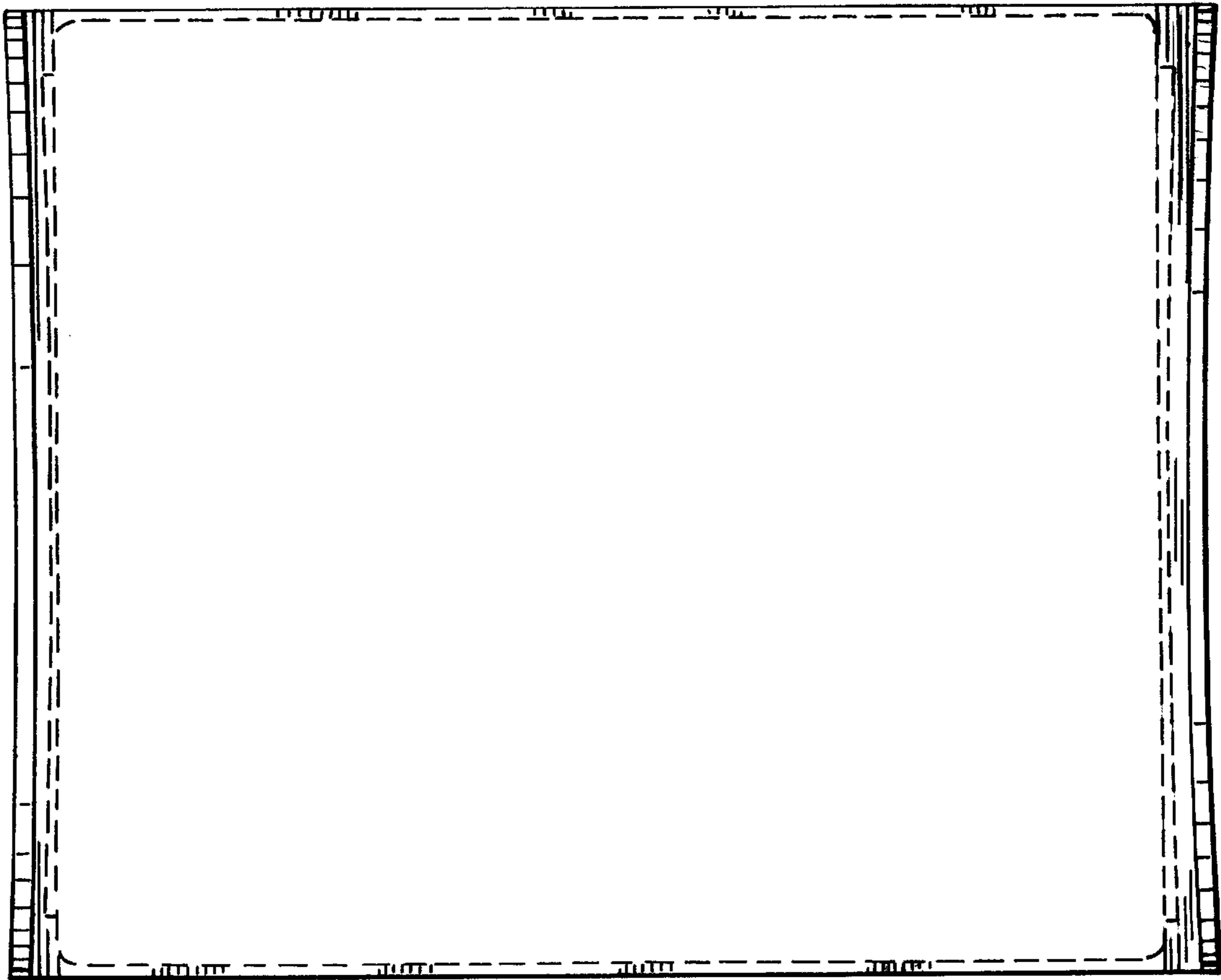


*FIG. 1*

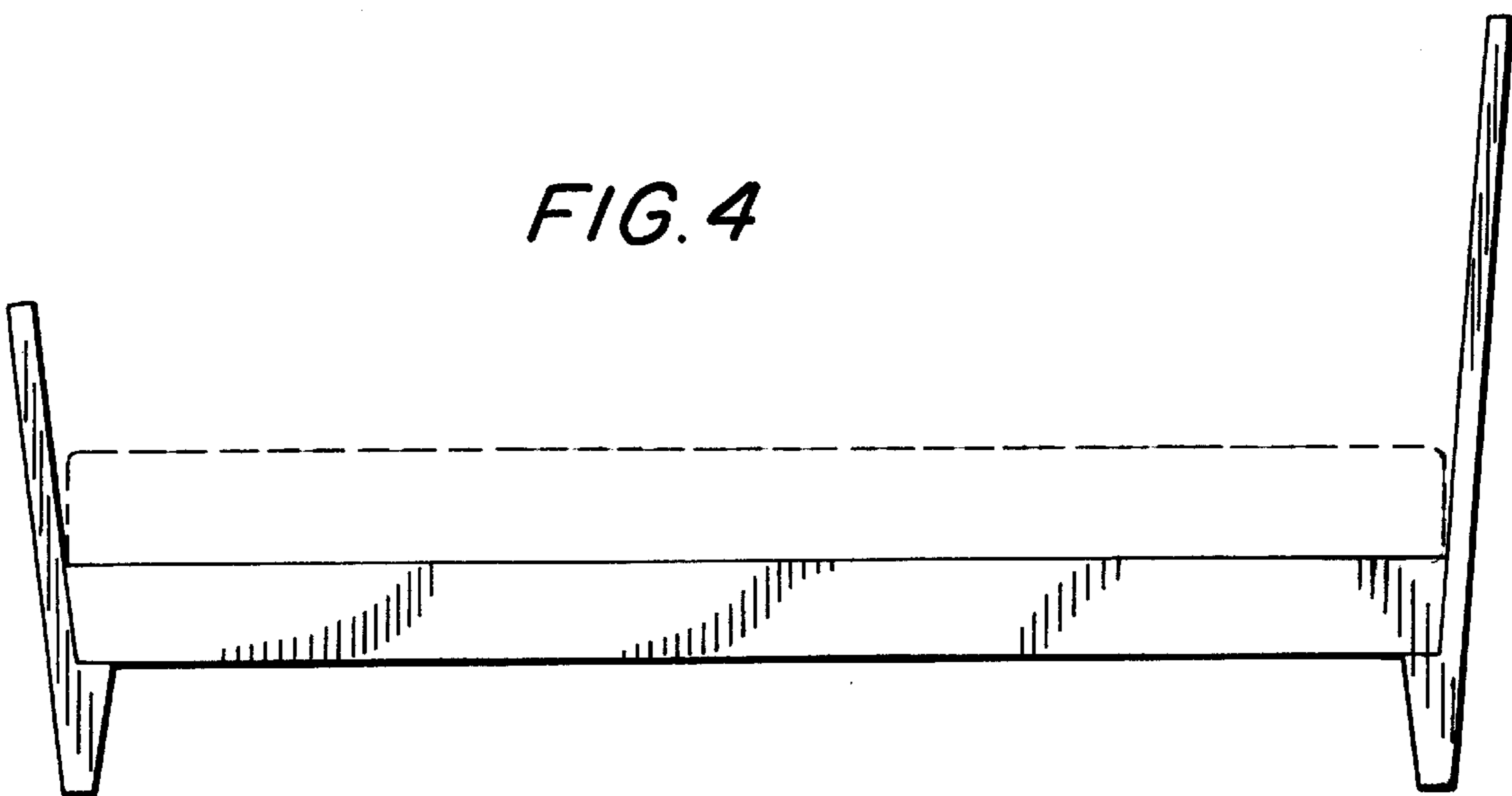
*FIG. 2*



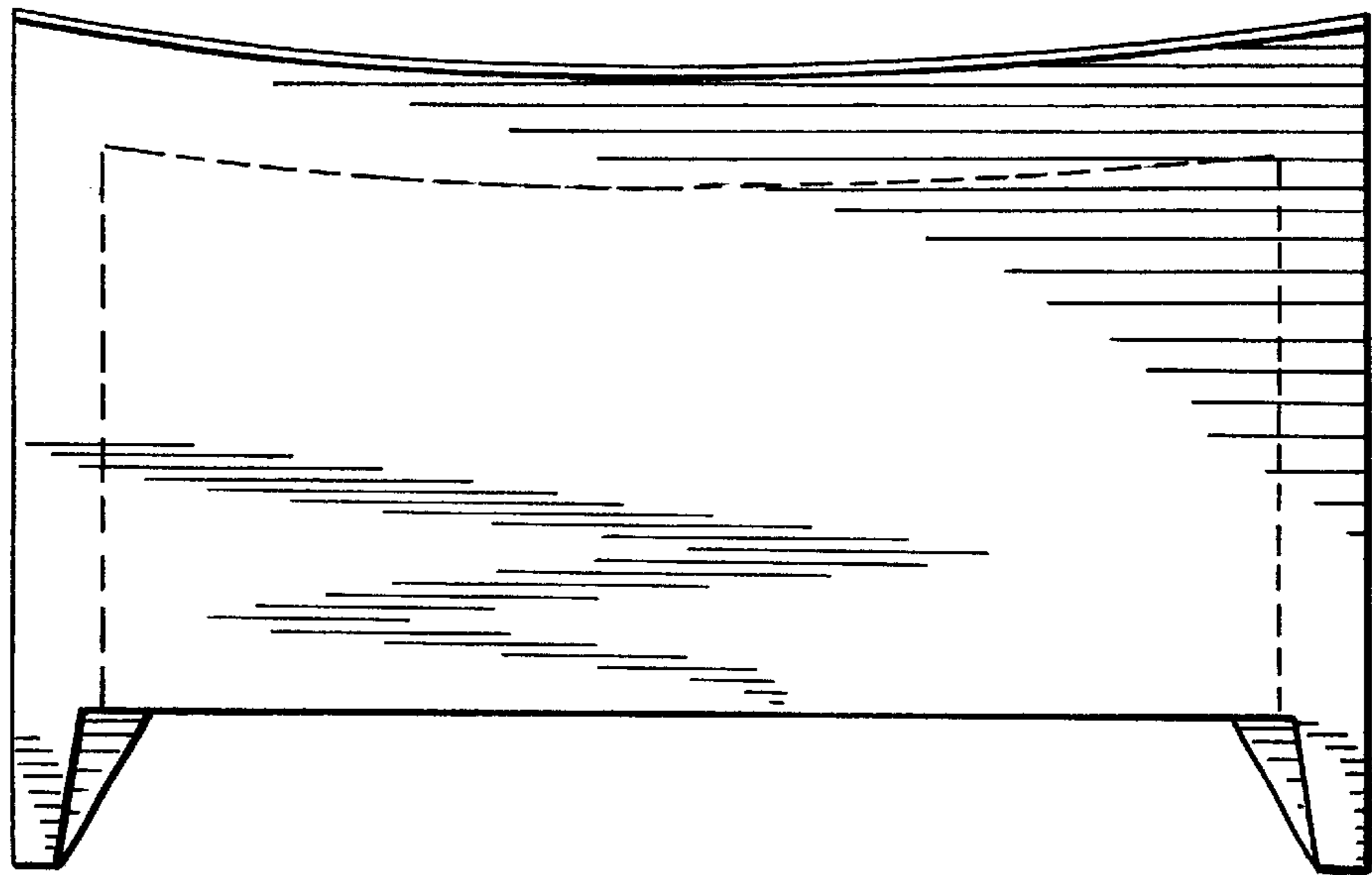
*FIG. 3*



*FIG. 4*



*FIG. 5*



*FIG. 6*

