



US00D451693B1

(12) **United States Design Patent**
Pearce et al.

(10) **Patent No.:** **US D451,693 S**

(45) **Date of Patent:** **** Dec. 11, 2001**

(54) **CHAIR**

5,871,258 2/1999 Battey et al. .

(75) Inventors: **Peter J. Pearce**, Woodland Hills, CA (US); **Bruce M. Smith**, Grand Rapids; **Dale M. Groendal**, Jenison, both of MI (US)

* cited by examiner

Primary Examiner—Doris V. Coles
Assistant Examiner—Mimosa De
(74) *Attorney, Agent, or Firm*—Price Heneveld Cooper DeWitt & Litton

(73) Assignee: **Steelcase Development Corporation**, Caledonia, MI (US)

(57) **CLAIM**

(**) Term: **14 Years**

The ornamental design for a chair, as shown and described.

(21) Appl. No.: **29/124,286**

DESCRIPTION

(22) Filed: **May 25, 2000**

(51) **LOC (7) Cl.** **06-01**

(52) **U.S. Cl.** **D6/368**

(58) **Field of Search** D6/334, 335, 366,
D6/368, 370, 374, 380, 500-502; 297/232,
239, 411.2, 411.25

FIG. 1 is a perspective view of a chair of a first embodiment showing the present invention;

FIG. 2 is a front view of FIG. 1;

FIG. 3 is a right side view of FIG. 1, the left side view being a mirror image of the right side;

FIG. 4 is a is a rear view of FIG. 1; and

FIG. 5 is a top view of FIG. 1.

FIG. 6 is a perspective view of a chair of a second embodiment showing the present invention;

FIG. 7 is a front view of FIG. 6;

FIG. 8 is a right side view of FIG. 6, the left side being a mirror image of the right side;

FIG. 9 is a rear view of FIG. 6; and,

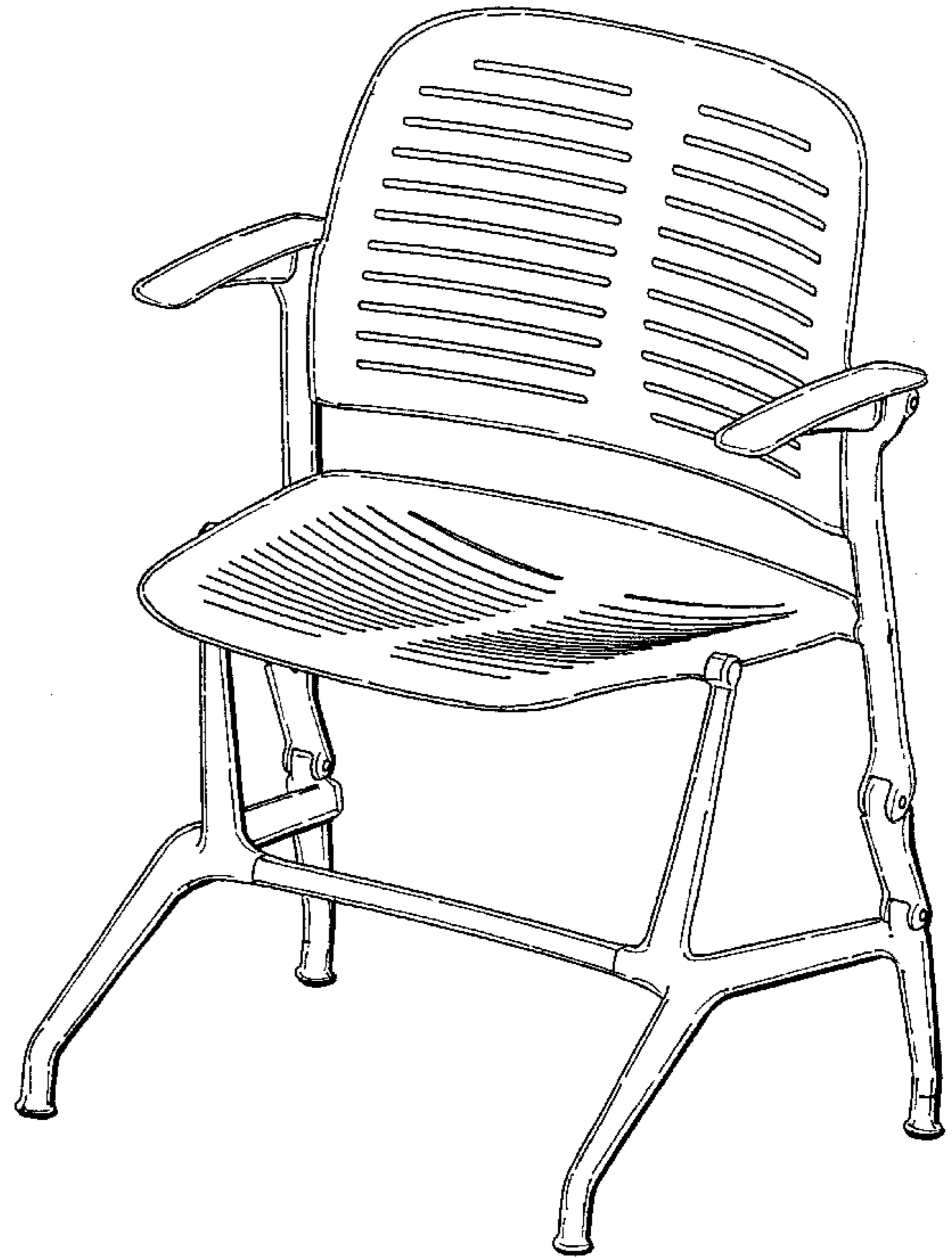
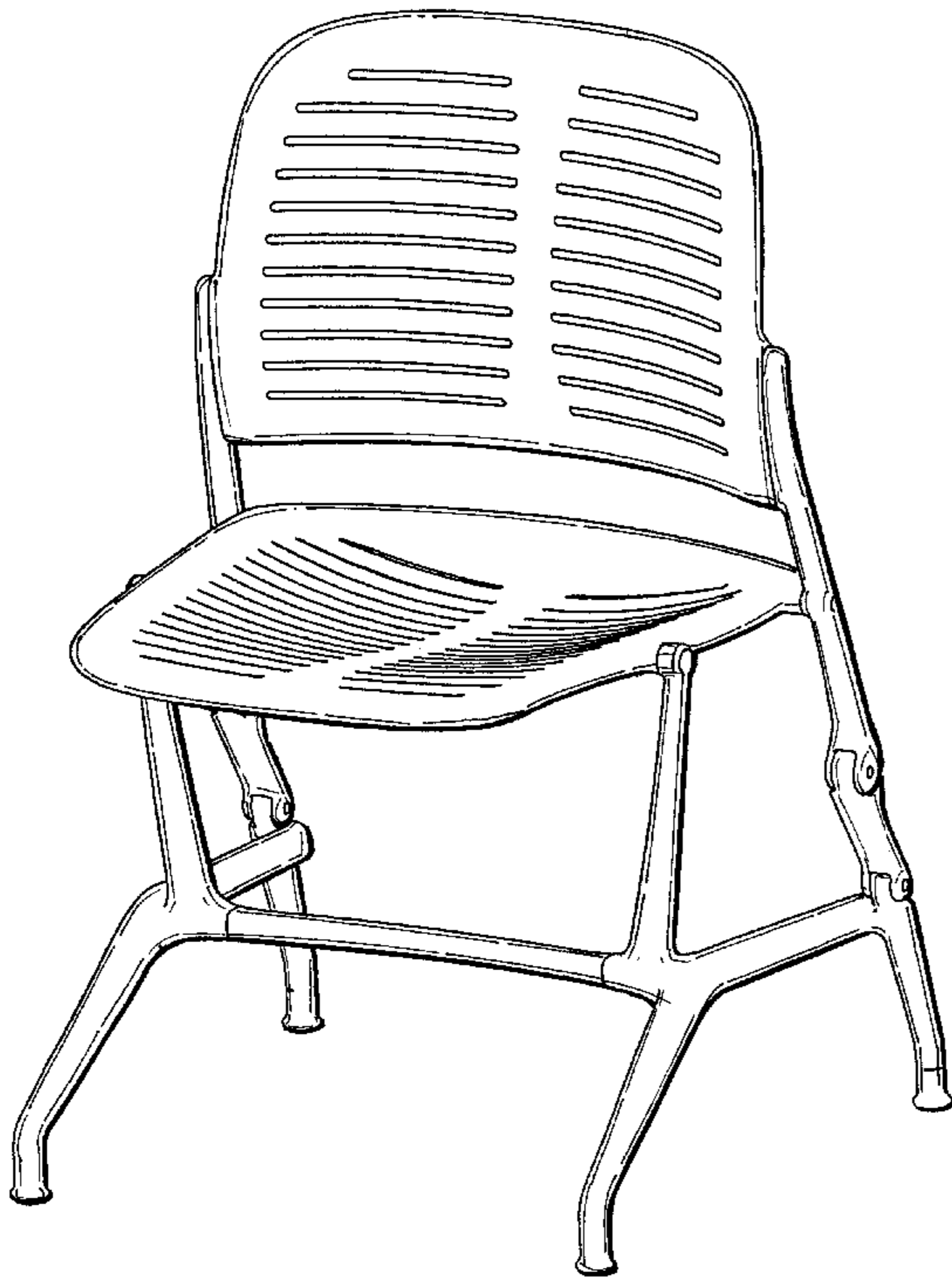
FIG. 10 is a top view of FIG. 6.

(56) **References Cited**

U.S. PATENT DOCUMENTS

D. 59,223	*	10/1921	Headley	D6/374
D. 175,994	*	11/1955	Wagner	D6/368
D. 203,109	*	12/1965	Barecki et al.	D6/368
D. 414,349		9/1999	Jenkins et al.	.	
4,660,887		4/1987	Fleming et al.	.	
5,630,647		5/1997	Heidmann et al.	.	

1 Claim, 5 Drawing Sheets



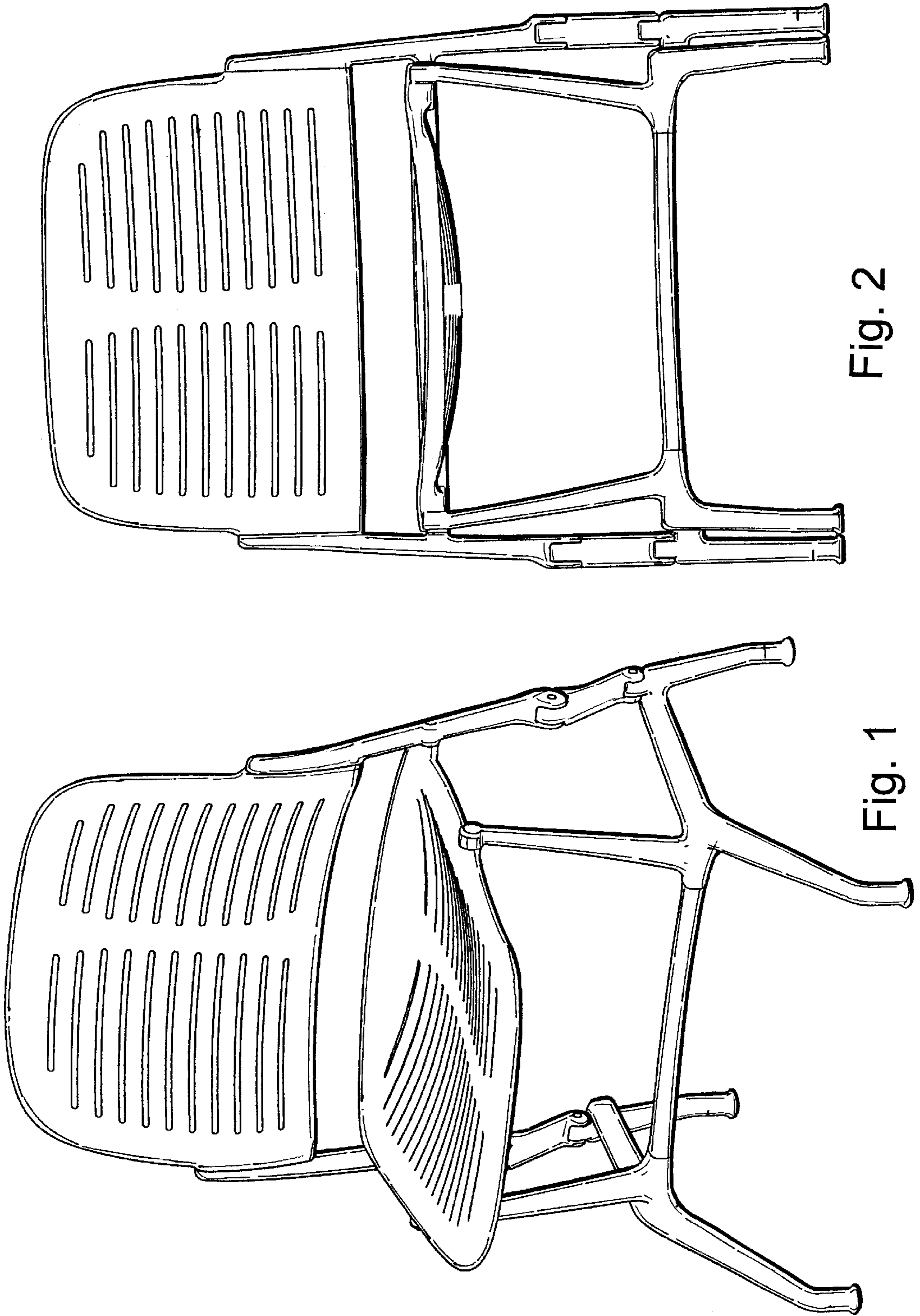


Fig. 2

Fig. 1

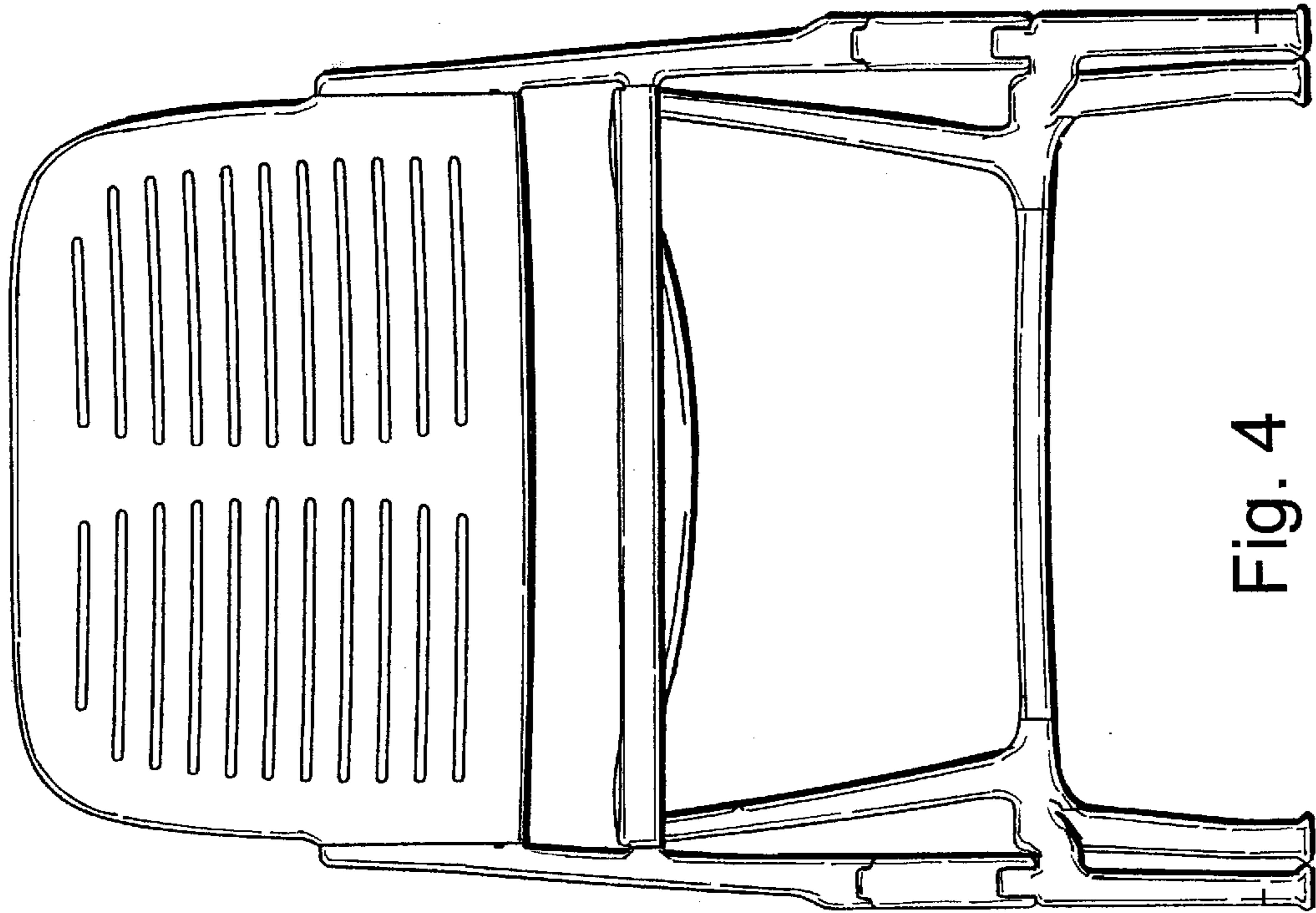


Fig. 4

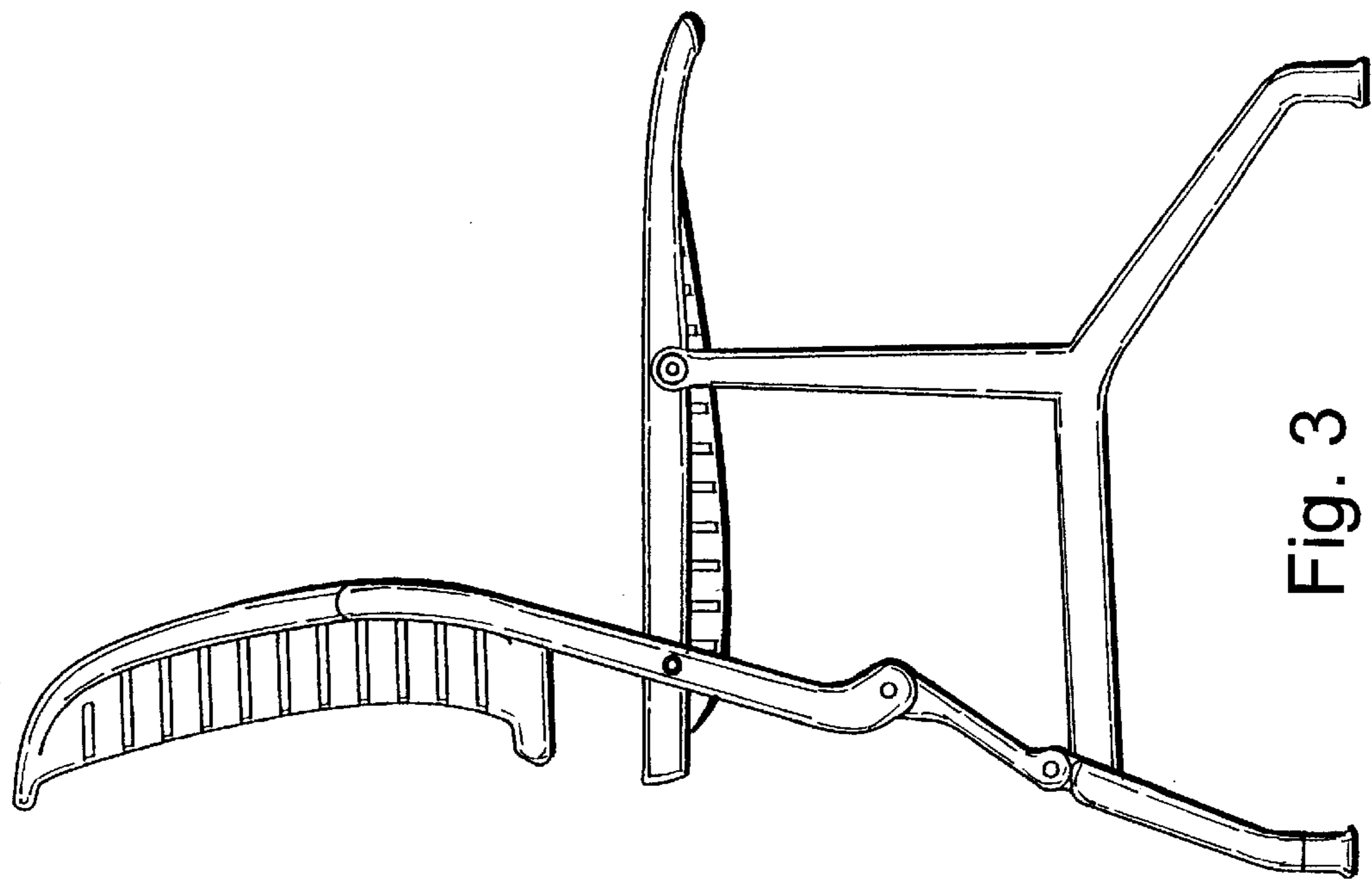


Fig. 3

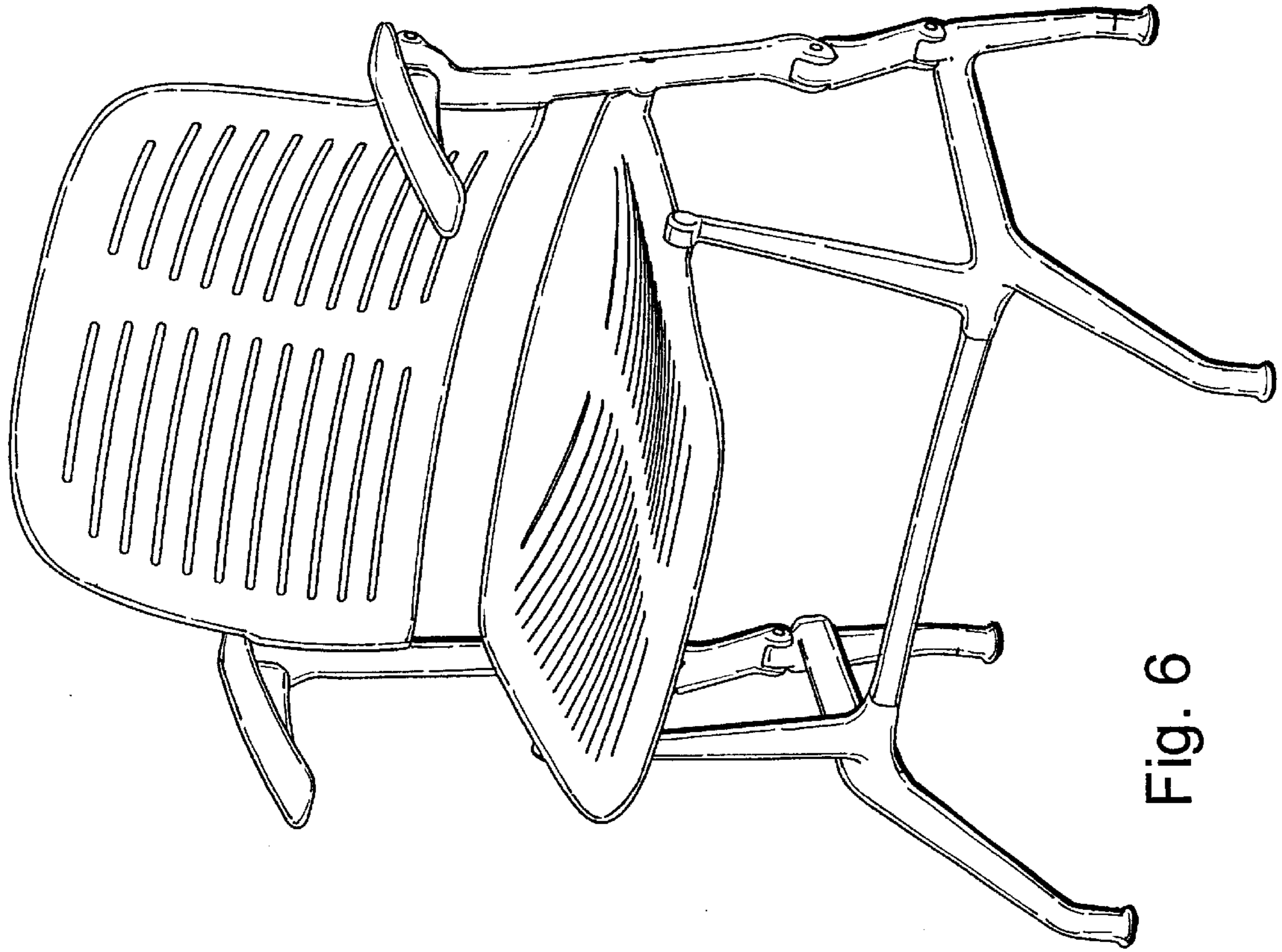


Fig. 6

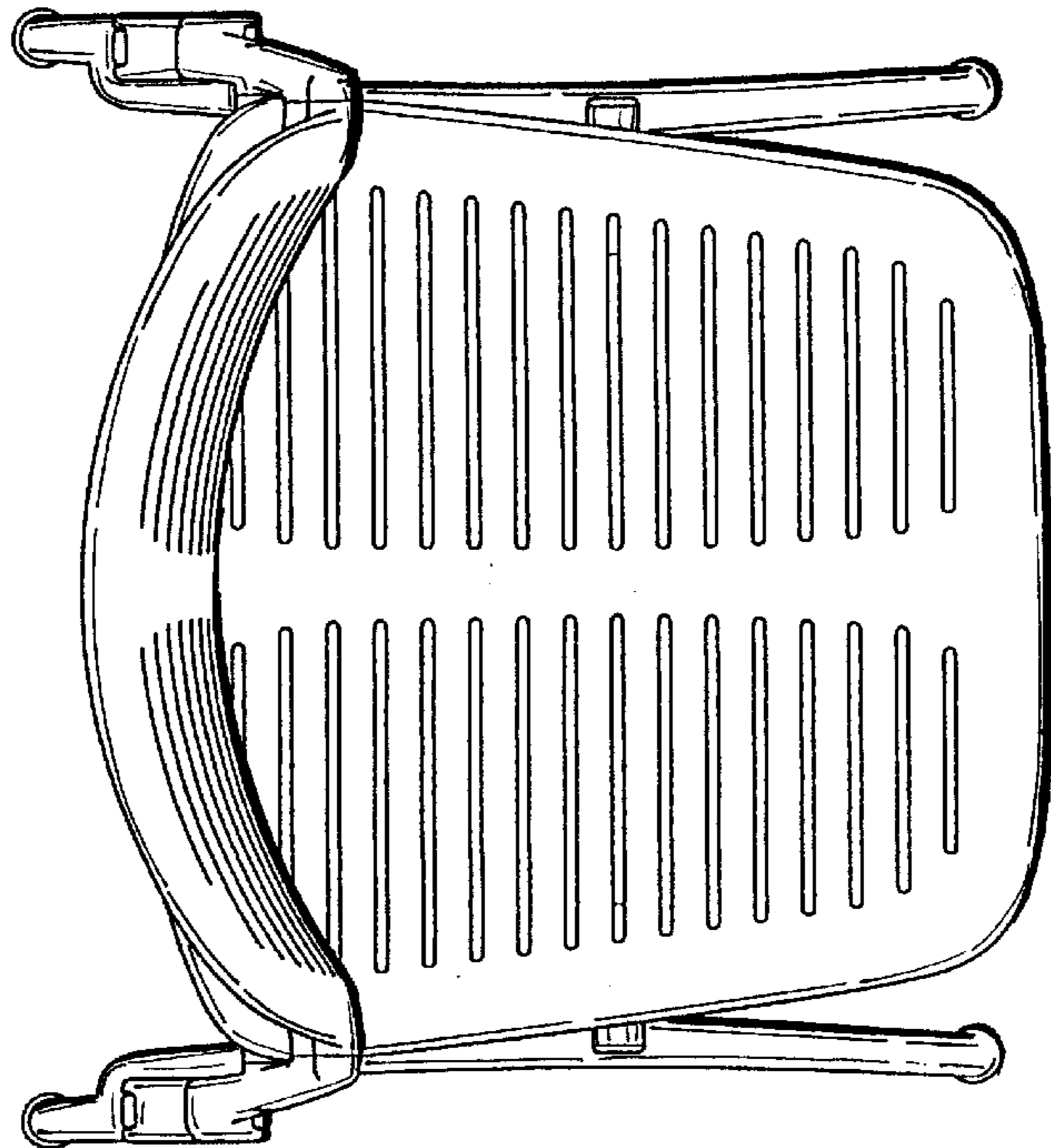


Fig. 5

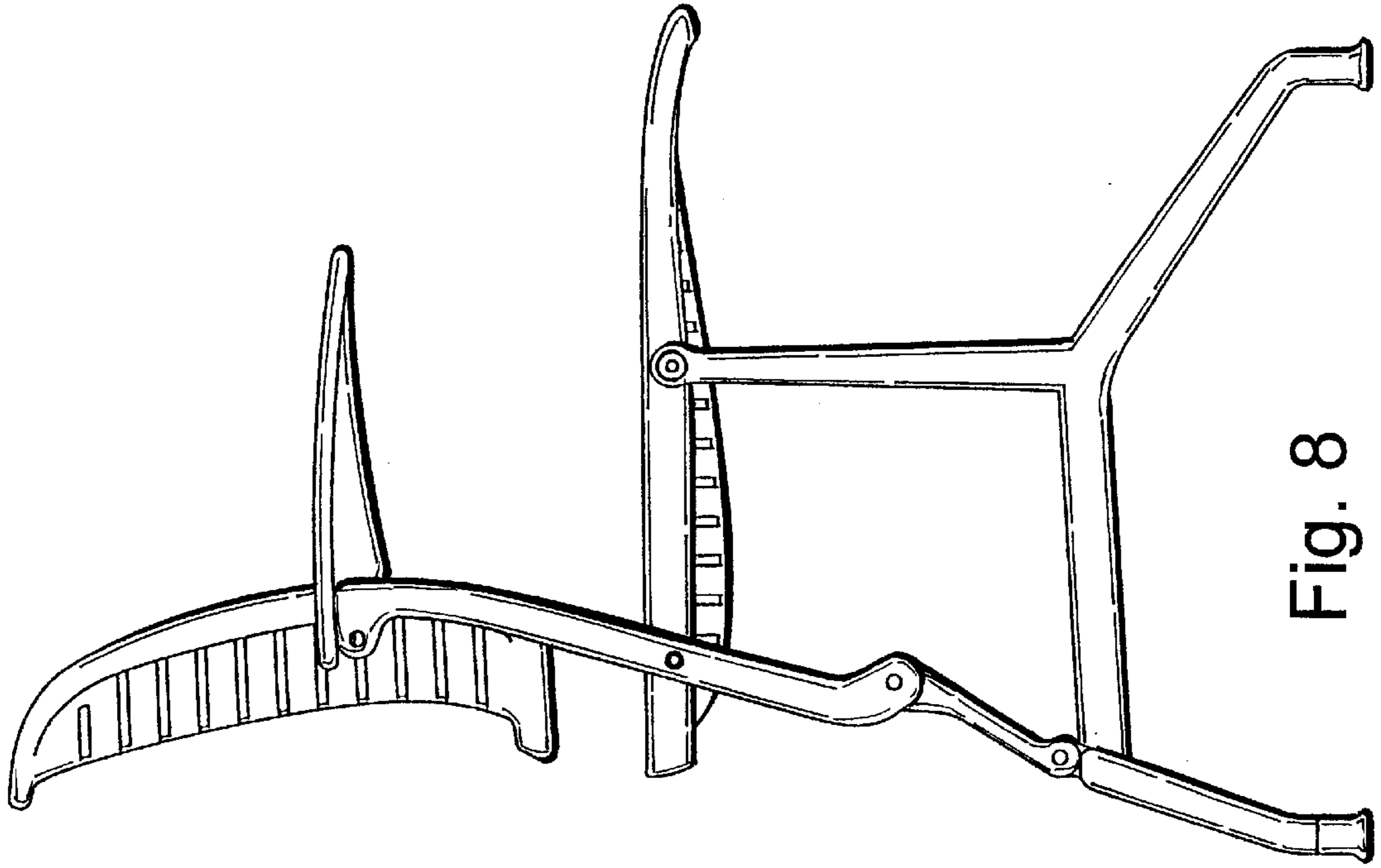


Fig. 8

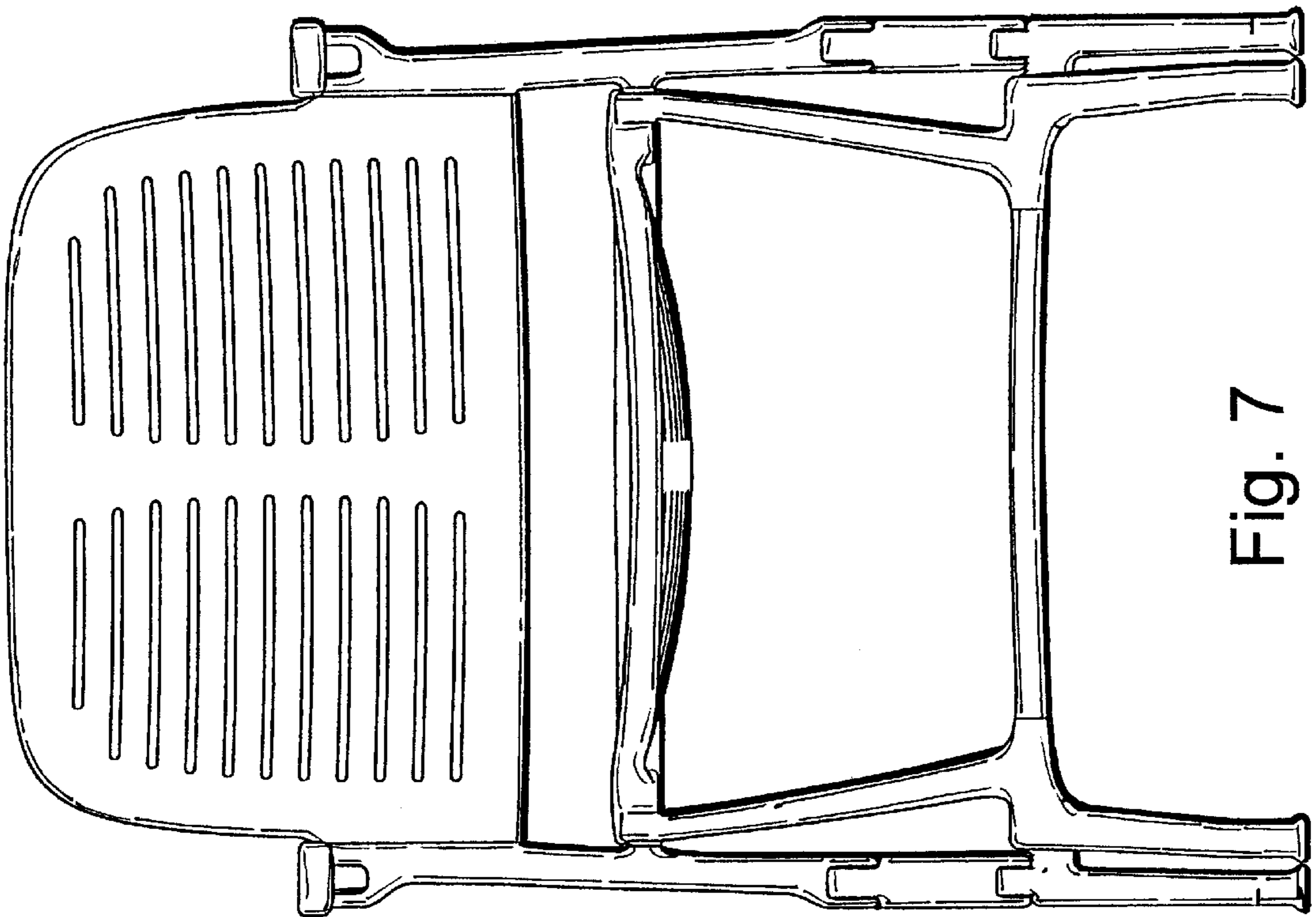


Fig. 7

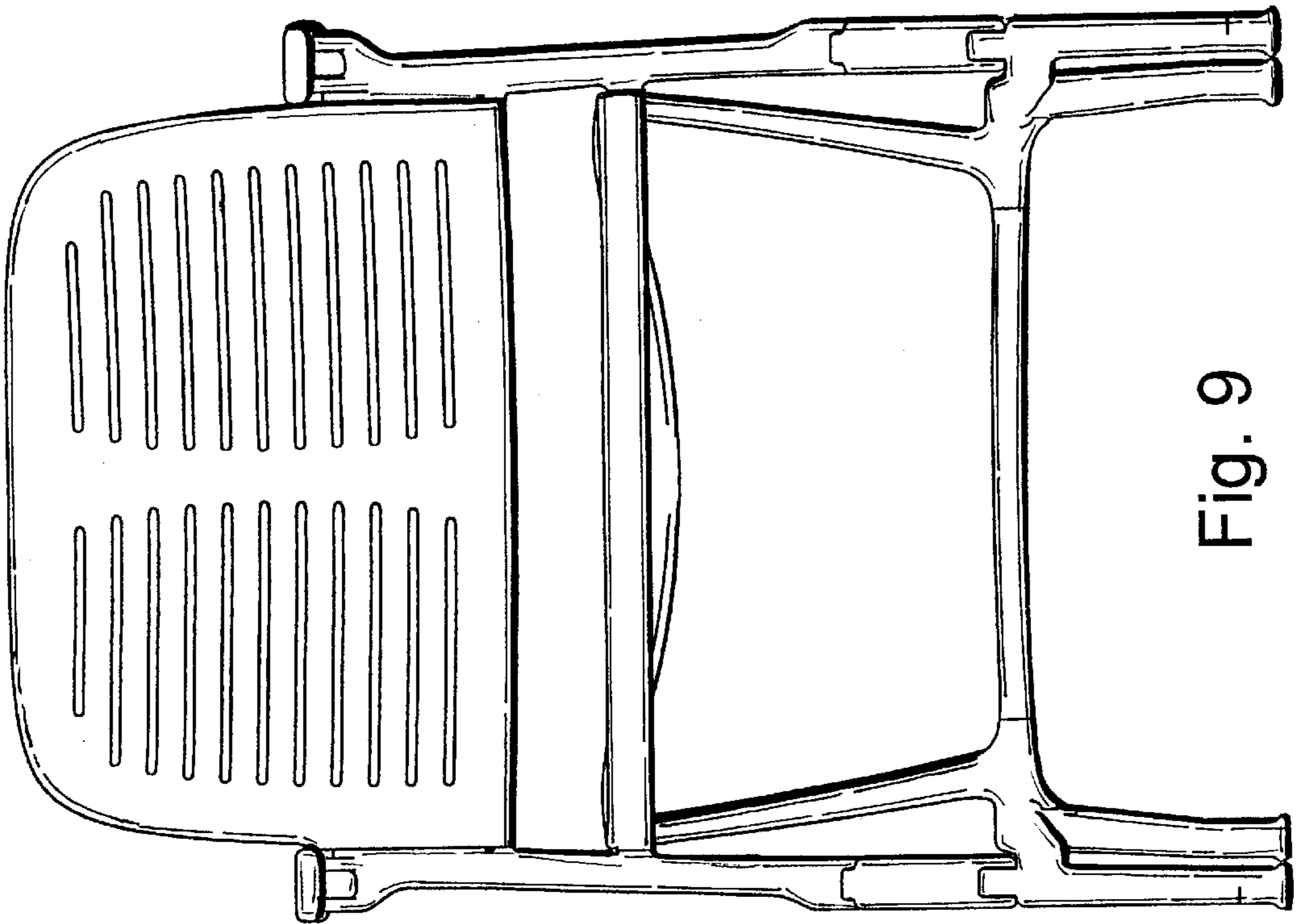


Fig. 9

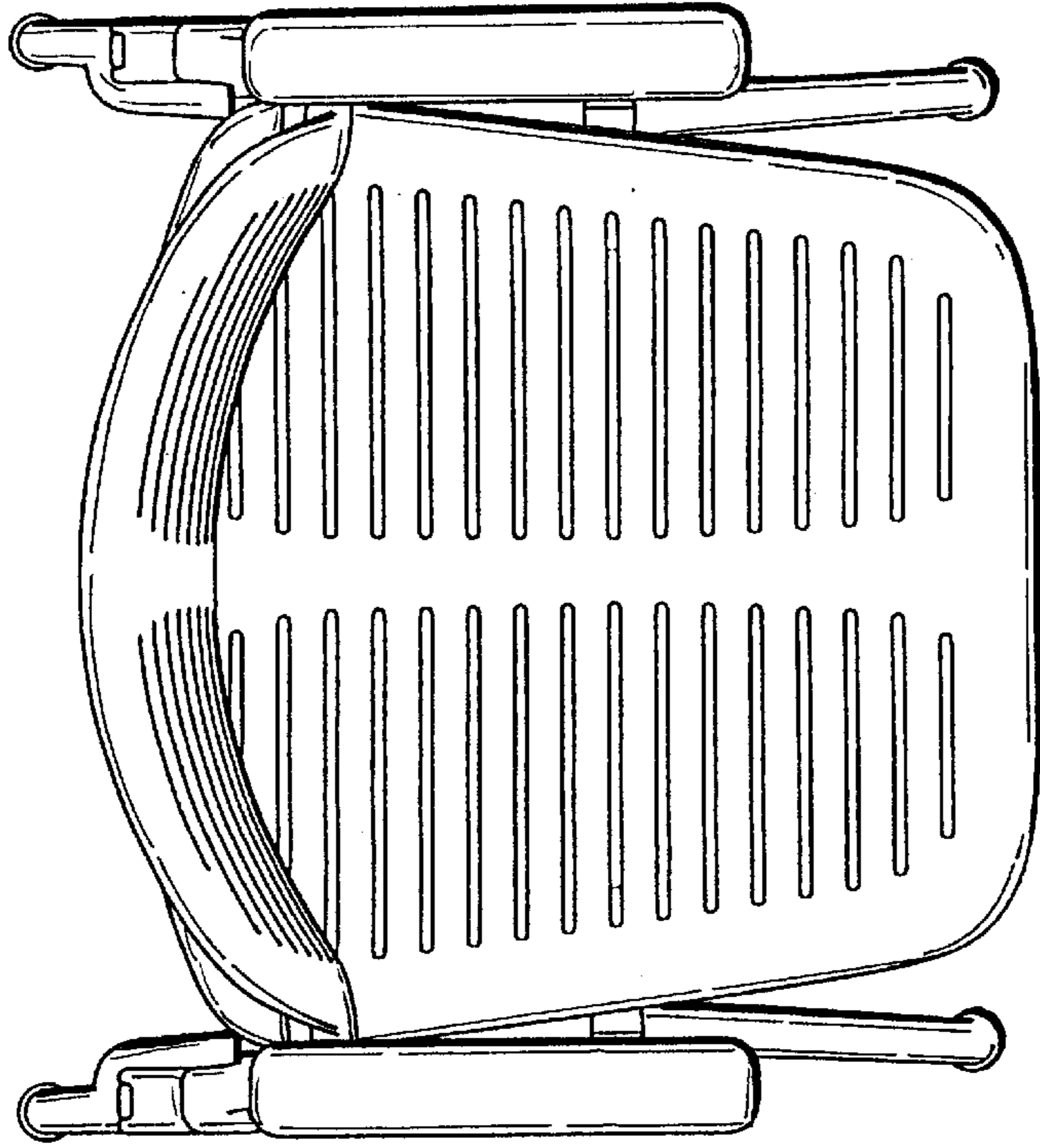


Fig. 10