



US00D451692B1

(12) **United States Design Patent**  
**Hasenbein**

(10) **Patent No.:** **US D451,692 S**

(45) **Date of Patent:** **\*\* Dec. 11, 2001**

(54) **CHAIR**

(75) Inventor: **Udo Hasenbein**, Haan (DE)

(73) Assignee: **Sedus Stoll AG**, Waldshut (DE)

(\*\*) Term: **14 Years**

(21) Appl. No.: **29/137,438**

(22) Filed: **Feb. 22, 2001**

(51) **LOC (7) Cl.** ..... **06-01**

(52) **U.S. Cl.** ..... **D6/366; D6/365**

(58) **Field of Search** ..... D6/334, 335, 364,  
D6/365, 366, 367, 500, 501, 502; 297/344.1,  
411.2, 452.29, DIG. 2

(56) **References Cited**

**U.S. PATENT DOCUMENTS**

D. 237,664 \* 11/1975 Costabile ..... D6/365

D. 405,274 \* 2/1999 Smith ..... D6/334

D. 408,662 \* 4/1999 Perrin ..... D6/500

\* cited by examiner

*Primary Examiner*—Gary D. Watson

(74) *Attorney, Agent, or Firm*—Oblon, Spivak, McClelland,  
Maier & Neustadt, P.C.

(57) **CLAIM**

The ornamental design for a chair, as shown and described.

**DESCRIPTION**

FIG. 1 is a top, rear and left side perspective view of a chair showing my design;

FIG. 2 is a top, front and left side perspective view thereof;

FIG. 3 is a bottom plan thereof view thereof;

FIG. 4 is a top plan view thereof;

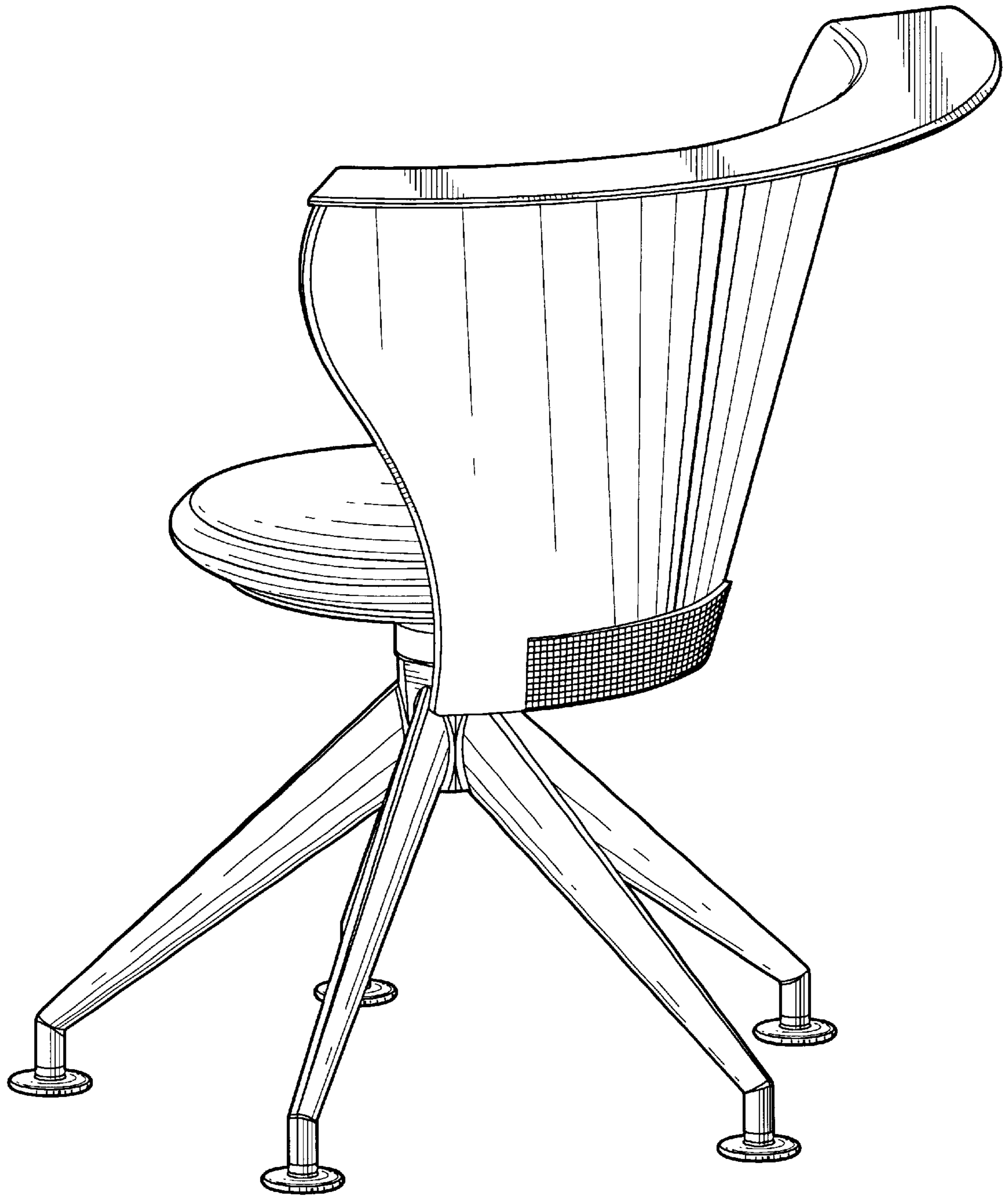
FIG. 5 is a rear elevational view thereof;

FIG. 6 is a front elevational view thereof; and,

FIG. 7 is a left side elevational view thereof, the right side elevational view being a mirror image of the side view shown.

**1 Claim, 7 Drawing Sheets**

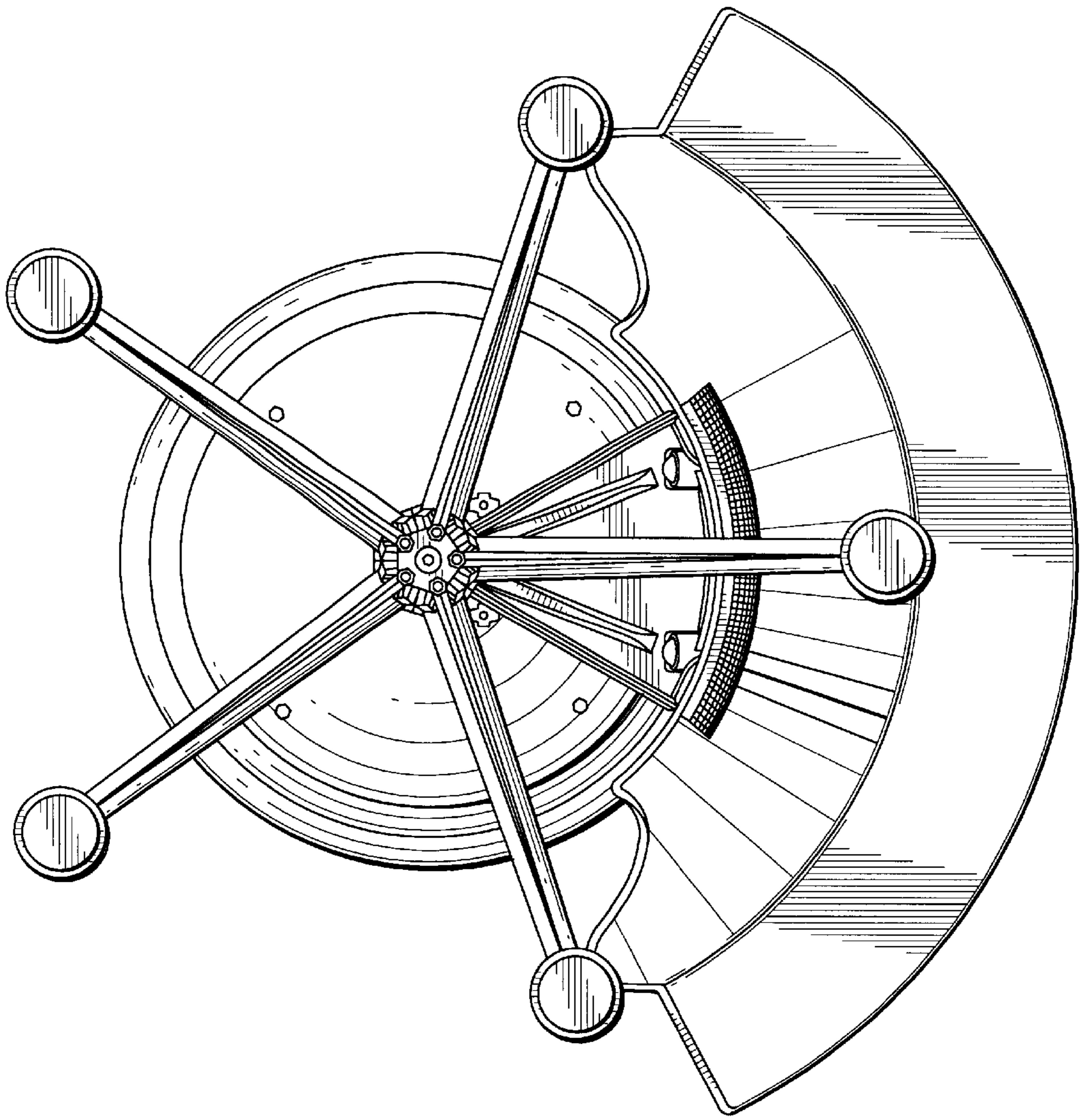




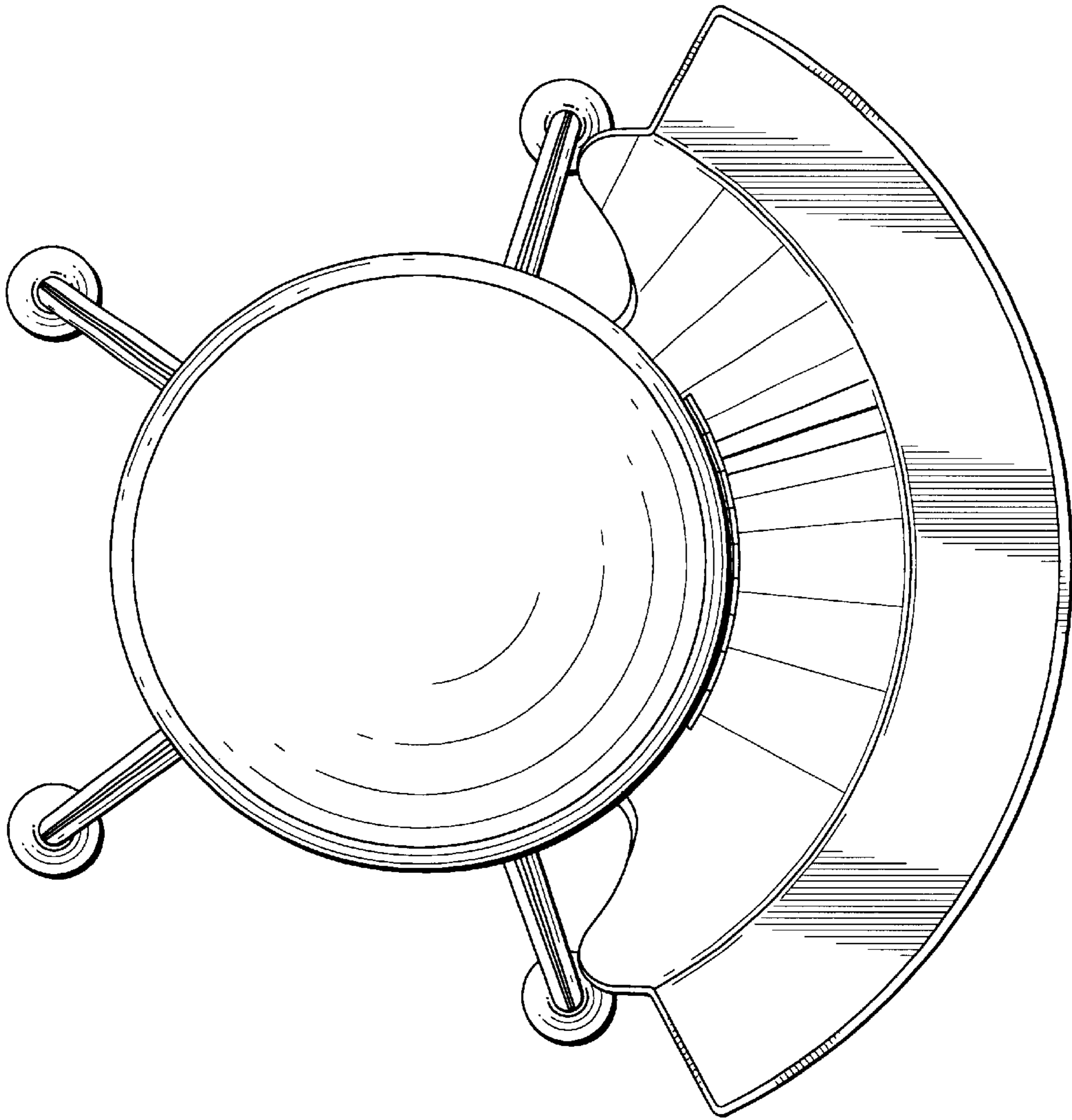
*FIG. 1*



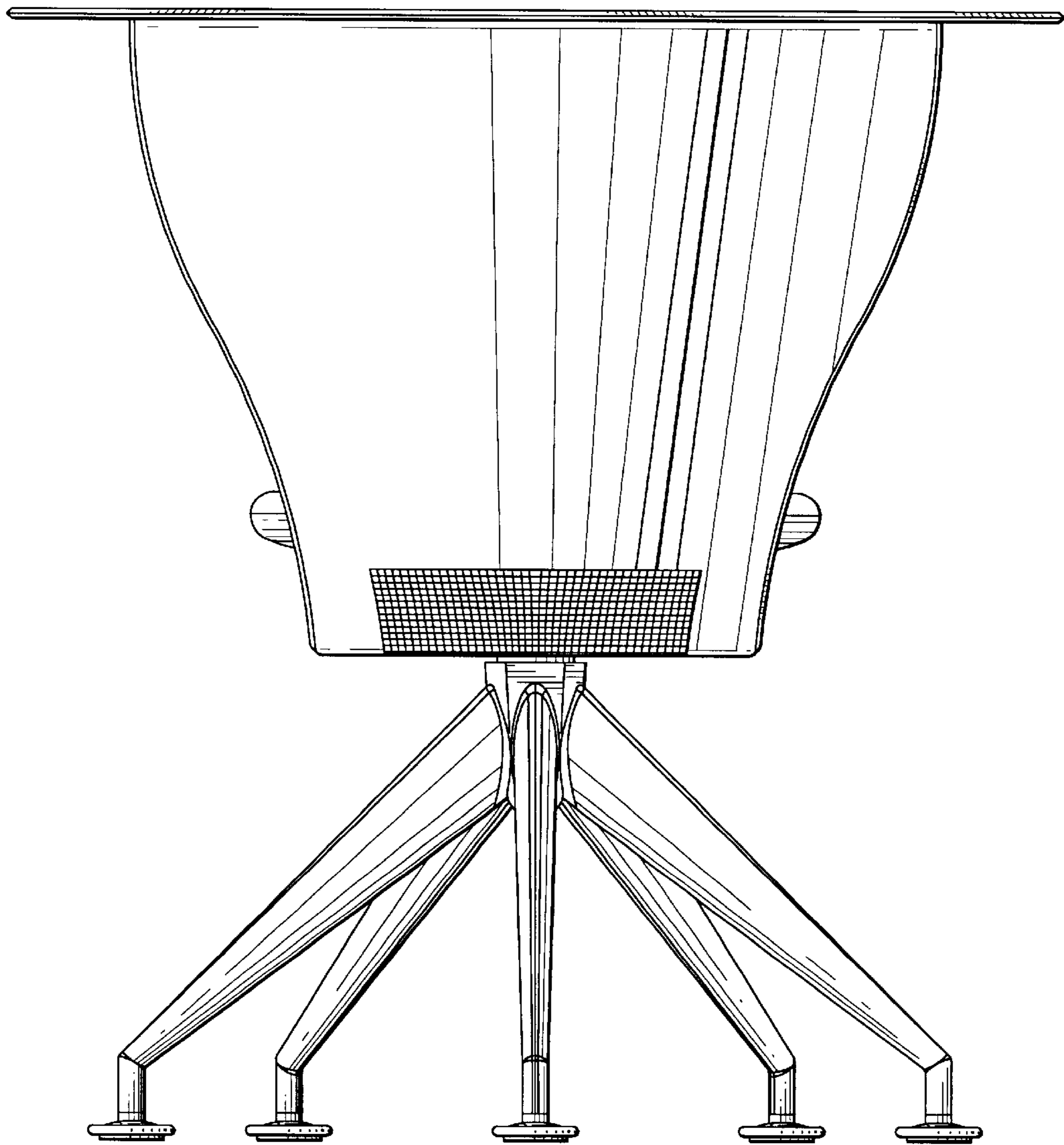
*FIG. 2*



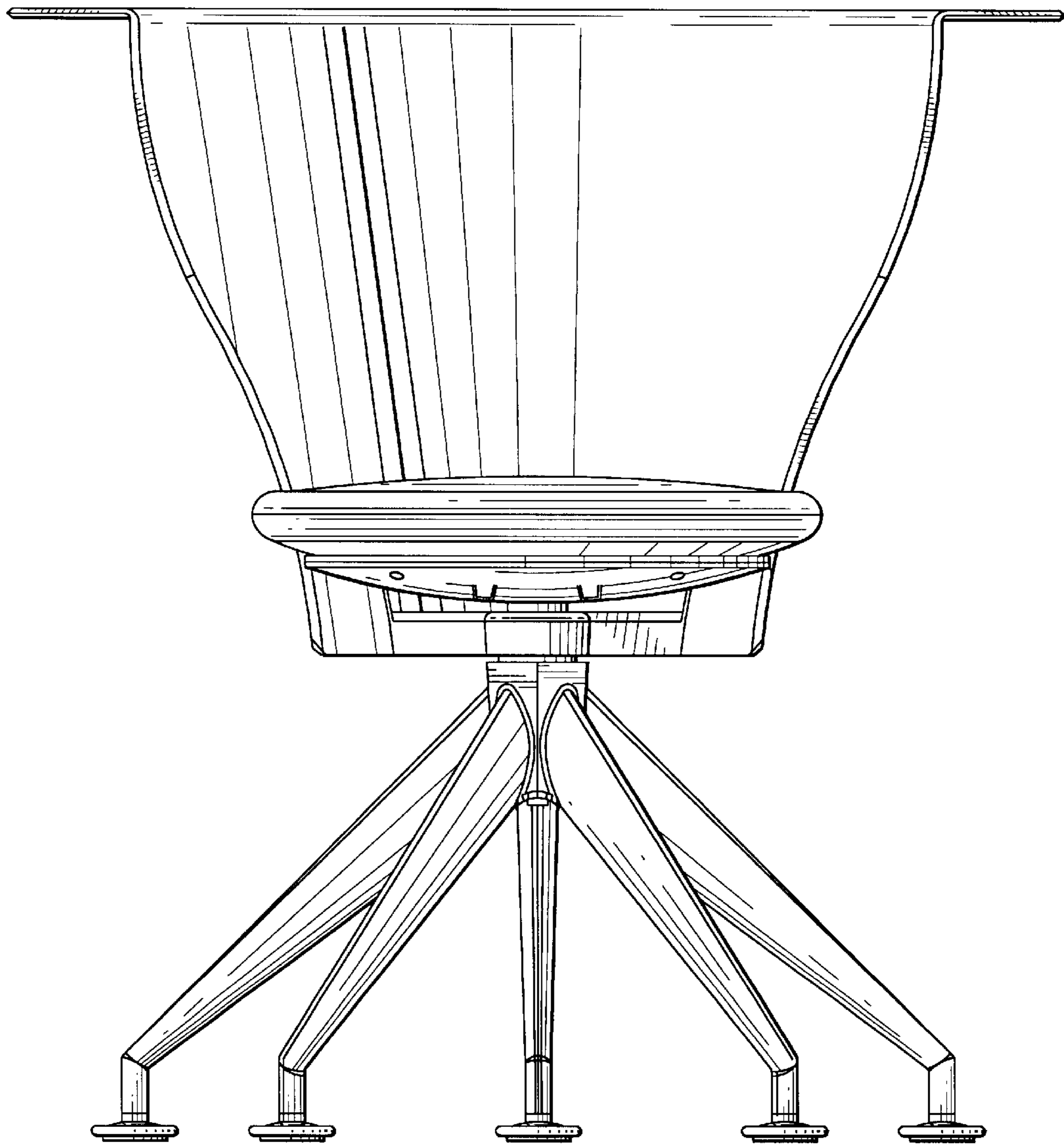
*FIG. 3*



*FIG. 4*



*FIG. 5*



*FIG. 6*



*FIG. 7*