



US00D451691B1

(12) **United States Design Patent**
Parson

(10) **Patent No.:** **US D451,691 S**

(45) **Date of Patent:** **** Dec. 11, 2001**

(54) **DOOR MOUNTED BABY SEAT**

(76) Inventor: **Josephine Parson**, 130 Washington St.,
Manlius, NY (US) 13104

(**) Term: **14 Years**

(21) Appl. No.: **29/134,386**

(22) Filed: **Dec. 21, 2000**

(51) **LOC (7) Cl.** **06-01**

(52) **U.S. Cl.** **D6/362**

(58) **Field of Search** D6/333, 334, 338,
D6/339, 362, 368, 500-502, 553, 555;
297/14, 130, 250.1, 253, 254, 274, 275

(56) **References Cited**

U.S. PATENT DOCUMENTS

D. 270,685	*	9/1983	Busch	D6/362
D. 411,065		6/1999	Davis	.	
803,427	*	10/1905	Monroe	297/275
1,584,161	*	5/1926	Bear	297/254
2,359,599		10/1944	Allen	.	
2,852,066	*	9/1958	Hawkins	297/130
4,723,493		2/1988	Siani et al.	.	
5,310,242		5/1994	Golder	.	

5,362,123 11/1994 Simmons .
5,754,999 5/1998 Helmsderfer .
5,791,729 8/1998 McCormick et al. .

* cited by examiner

Primary Examiner—Doris V. Coles

Assistant Examiner—Mimosa De

(74) *Attorney, Agent, or Firm*—George R. McGuire;
Hancock & Estabrook, LLP

(57) **CLAIM**

The ornamental design for a door mounted baby seat, as shown and described.

DESCRIPTION

FIG. 1 is a front elevational view of my new design for a door mounted baby seat;

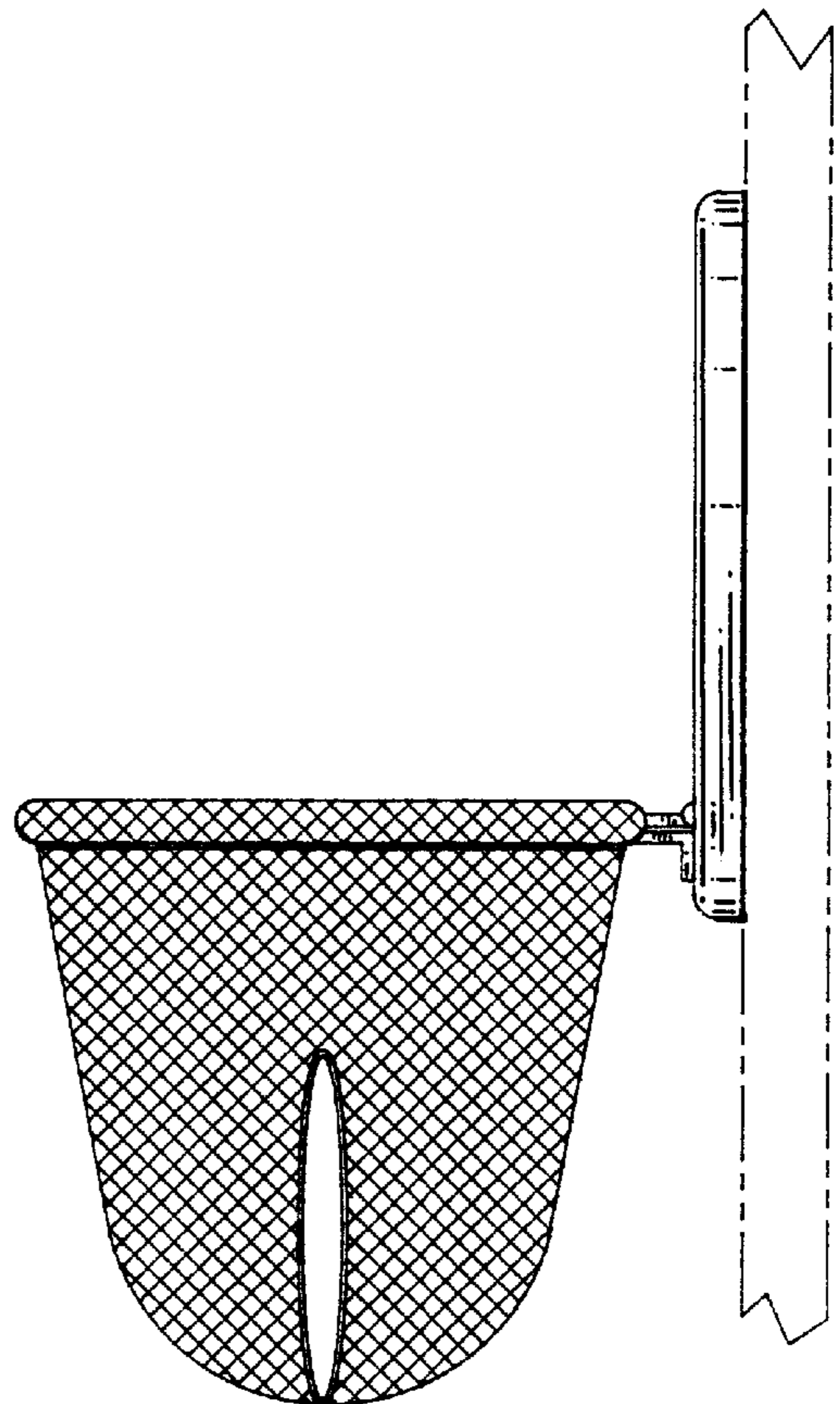
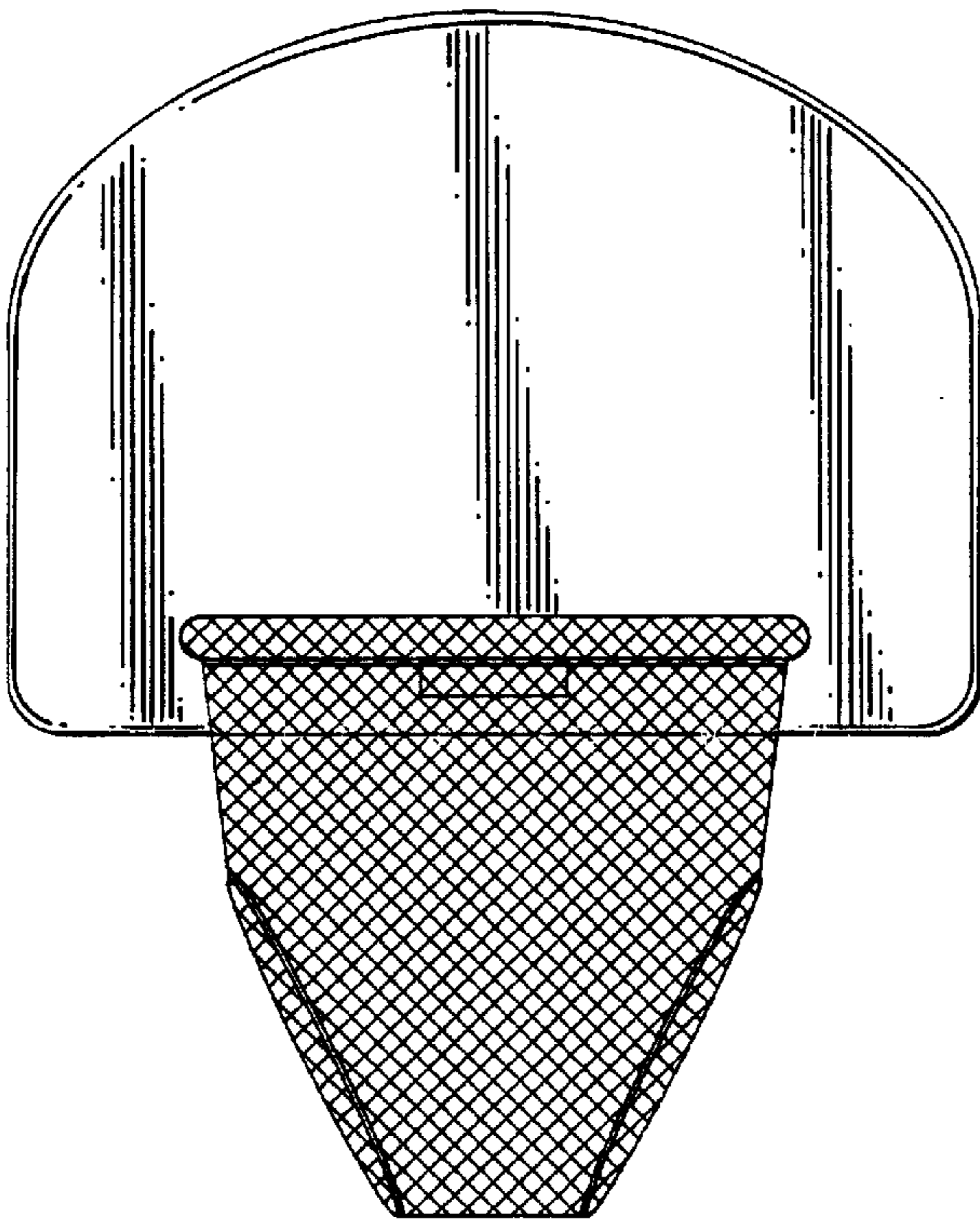
FIG. 2 is a side elevational view thereof, with a door being illustrated in phantom lines for environmental purposes only;

FIG. 3 is a top plan view thereof;

FIG. 4 is a bottom plan view thereof; and,

FIG. 5 is a side elevational view thereof, with the seat being illustrated in its folded position.

1 Claim, 1 Drawing Sheet



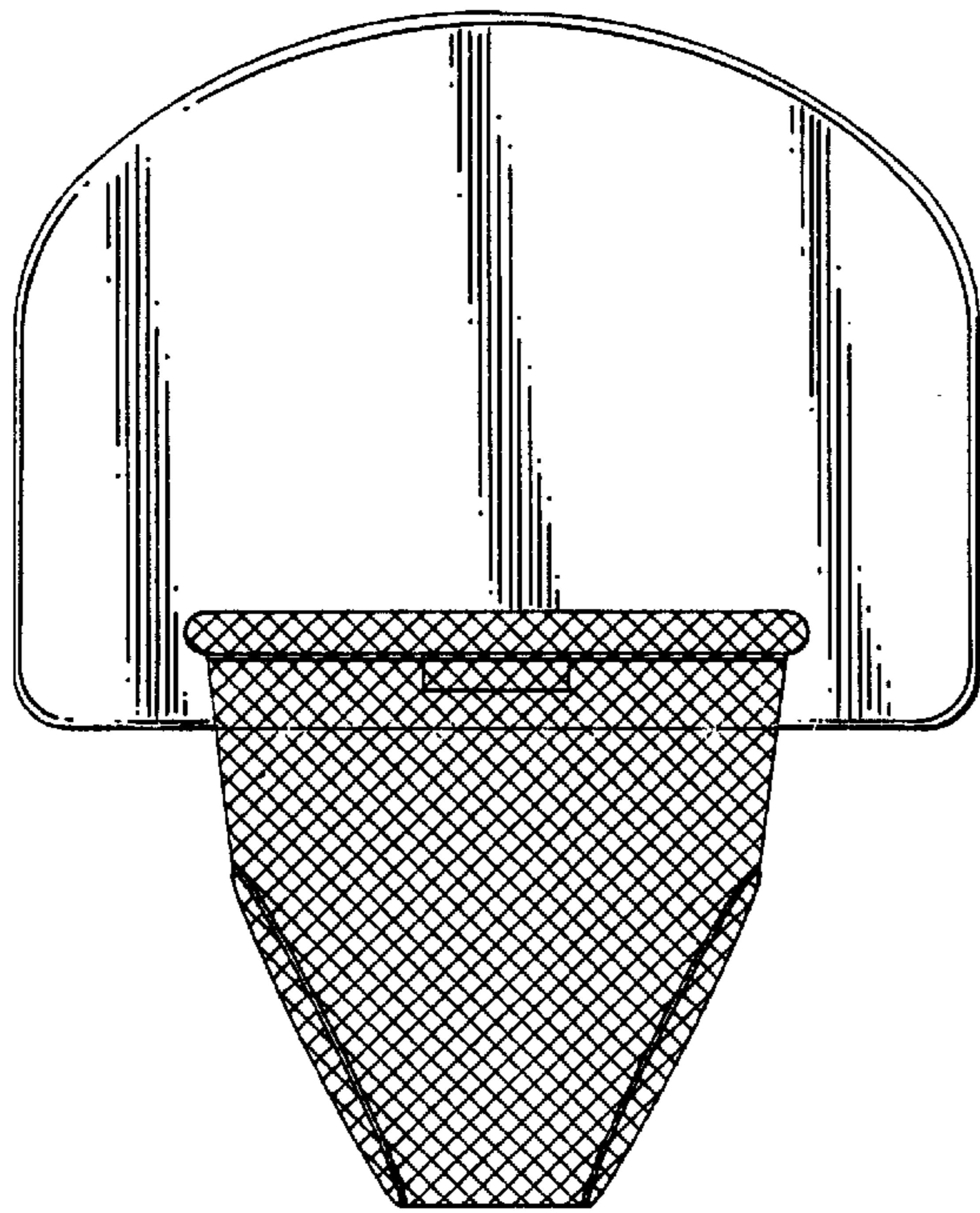


FIG. 1

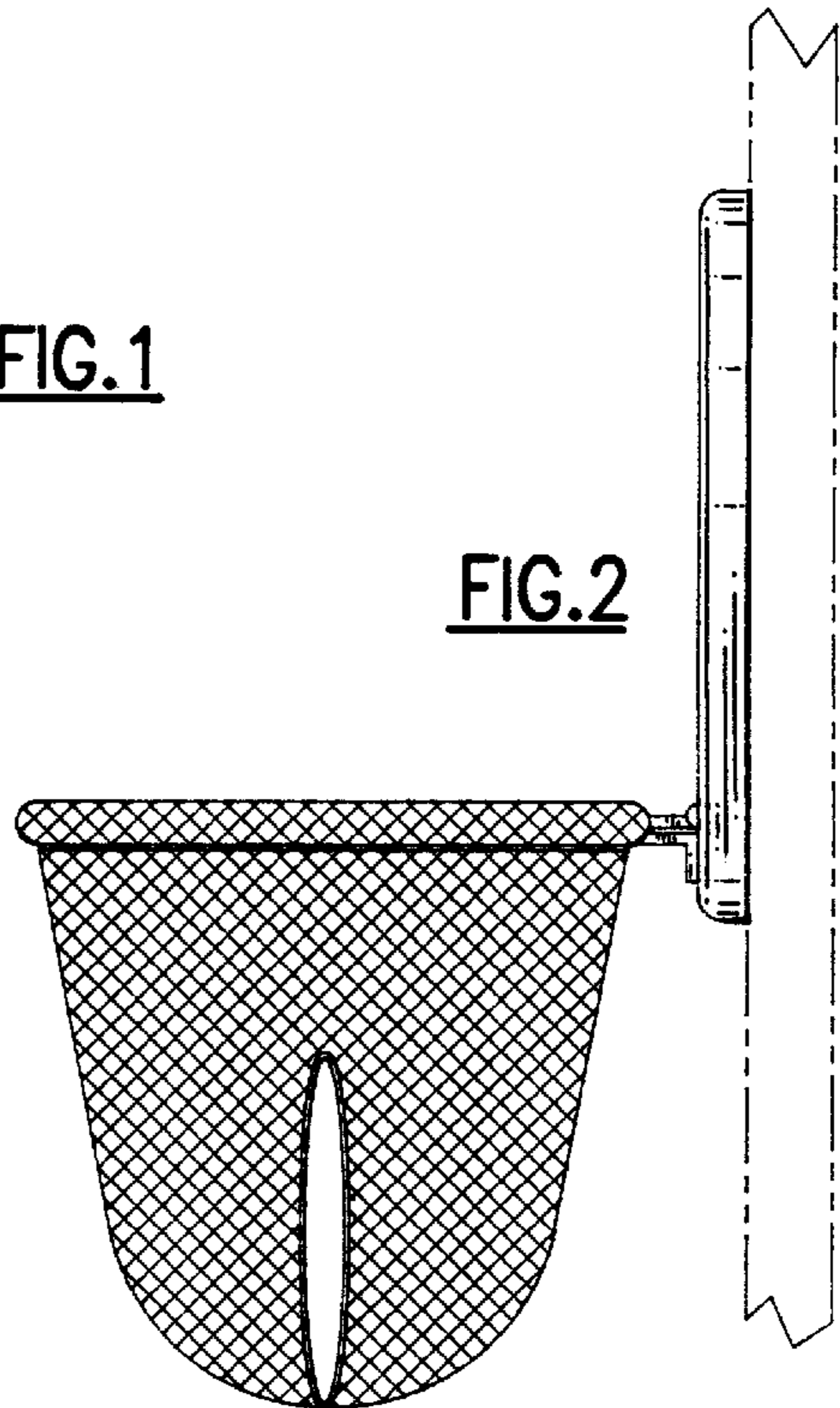


FIG. 2

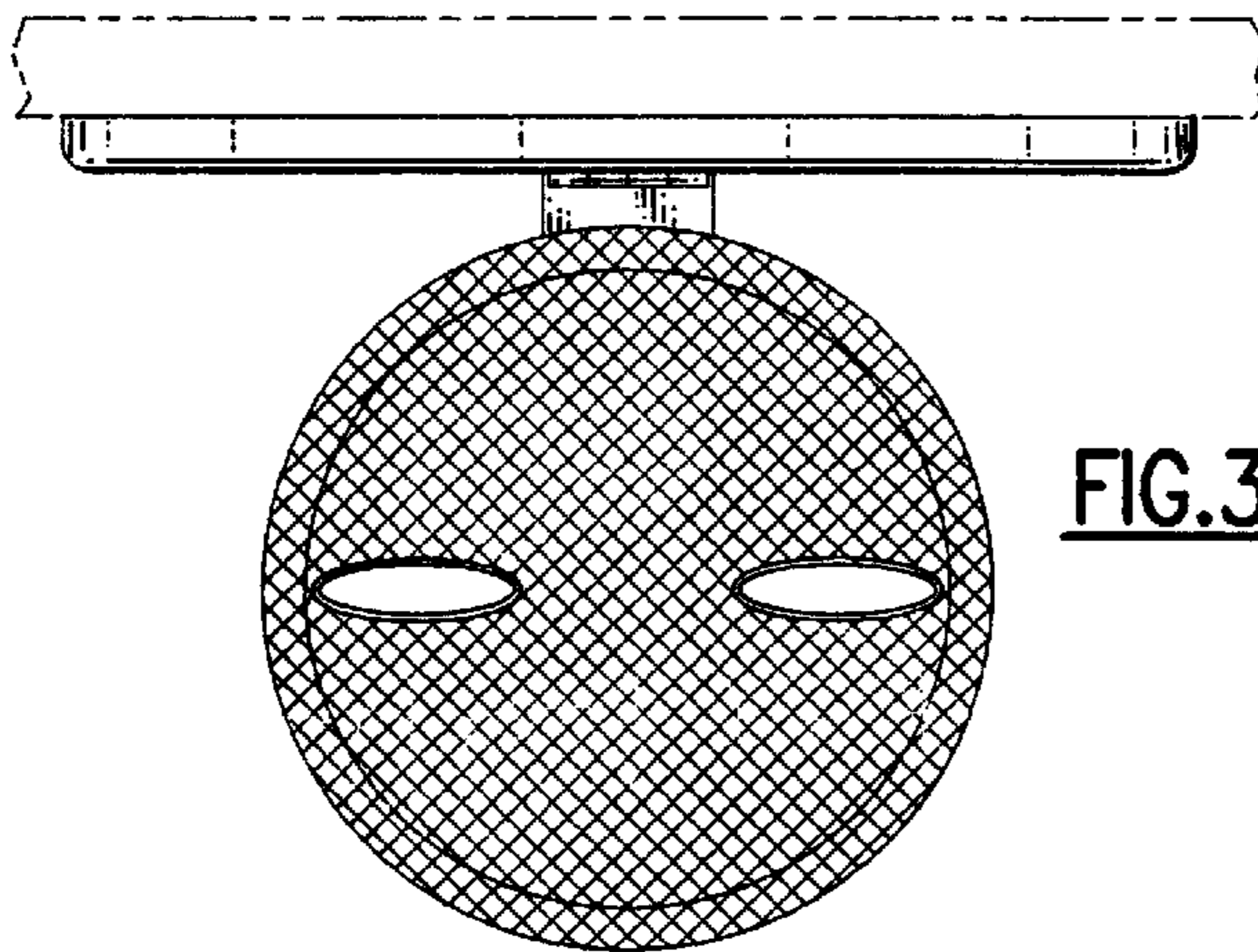


FIG. 3

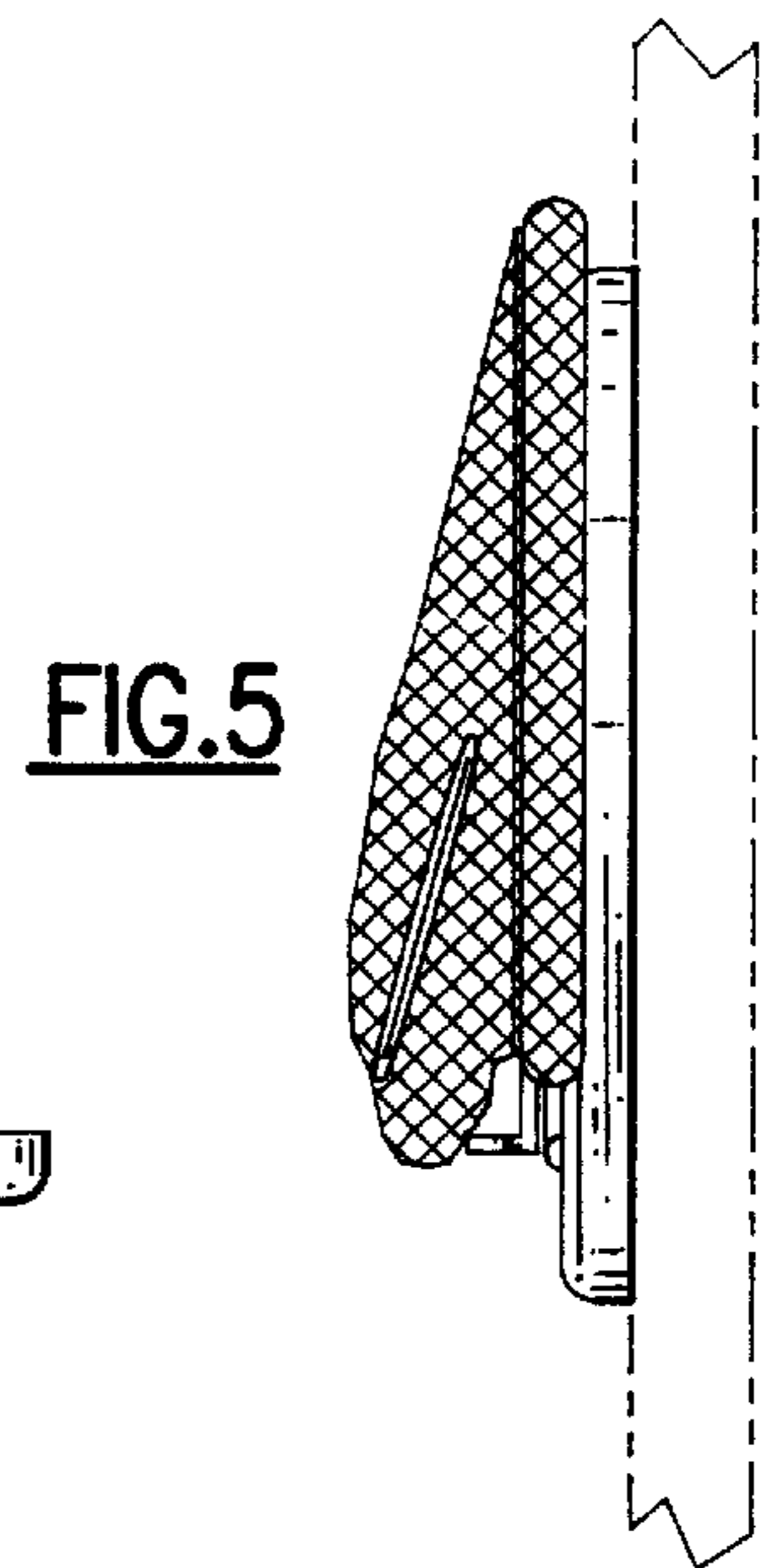


FIG. 5

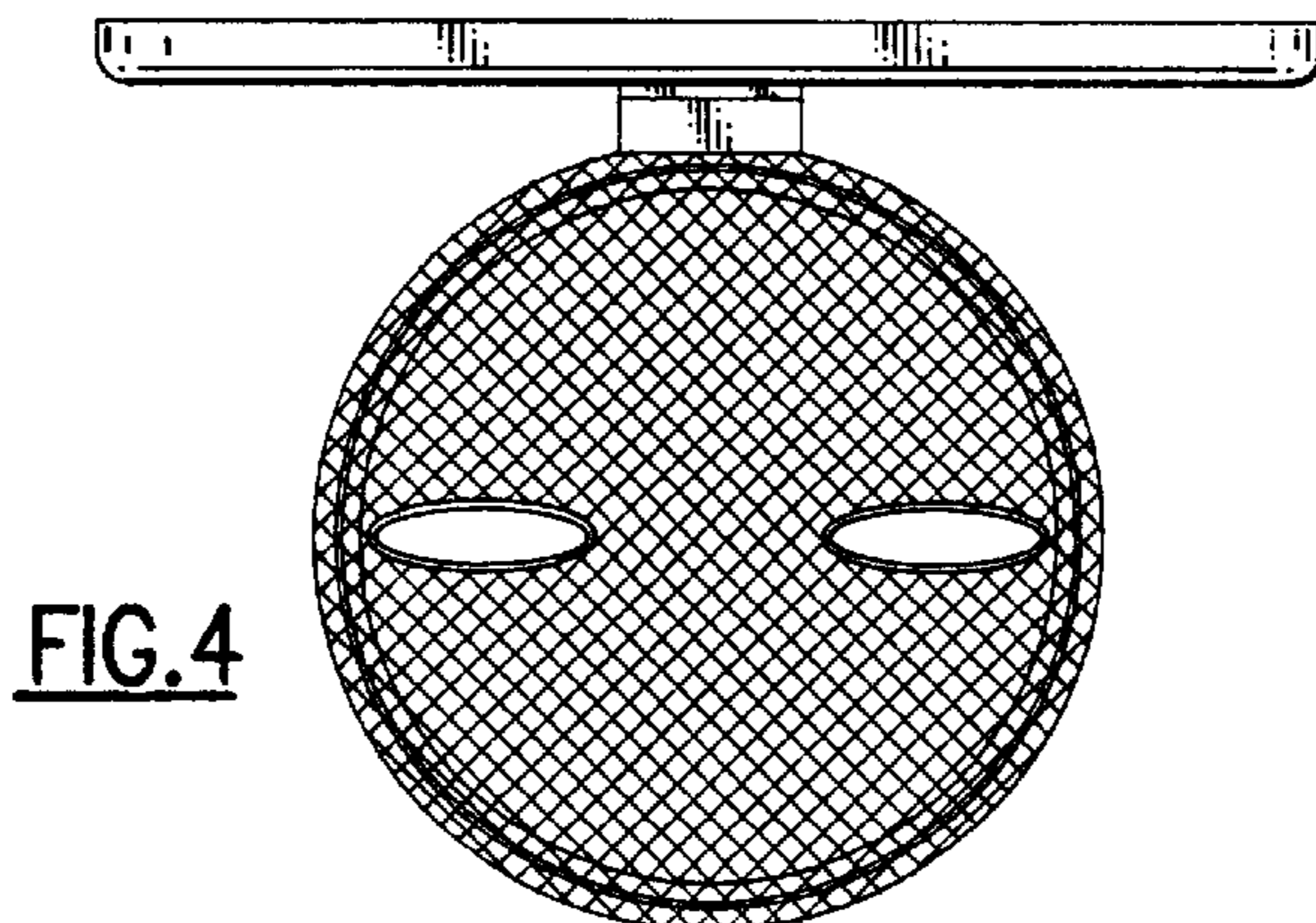


FIG. 4