



US00D451685B1

(12) **United States Design Patent** (10) **Patent No.:** **US D451,685 S**
Hermanson et al. (45) **Date of Patent:** **** Dec. 11, 2001**

(54) **LIGHT STRING PICTURE FRAME**

(75) Inventors: **Terry Hermanson**, New York; **Howard Temner**, New City, both of NY (US)

(73) Assignee: **Mr. Christmas Incorporated**, New York, NY (US)

(**) Term: **14 Years**

(21) Appl. No.: **29/124,421**

(22) Filed: **Jun. 6, 2000**

(51) **LOC (7) Cl.** **06-07**

(52) **U.S. Cl.** **D6/303; D6/300**

(58) **Field of Search** D6/300-303, 308-314; 40/700, 711, 714, 715, 722, 725, 739, 745, 757, 759, 765, 790, 798; 248/497; D26/56

(56) **References Cited**

U.S. PATENT DOCUMENTS

D. 24,693	*	9/1895	Hastings	D6/300
D. 125,120	*	2/1941	Shulman	D26/56
D. 367,965	*	3/1996	Baker	D6/303
4,981,211	*	1/1991	Janek	D6/300
6,036,334	*	3/2000	Nakano	40/714 X

* cited by examiner

Primary Examiner—Janice E. Seeger

(74) *Attorney, Agent, or Firm*—Fitzpatrick, Cella, Harper & Scinto

(57) **CLAIM**

The ornamental design for a light string picture frame, as shown and described.

DESCRIPTION

FIG. 1 is a perspective view of a light string picture frame shown in a first configuration.

FIG. 2 is a perspective view of the light string picture frame of FIG. 1 shown in a second configuration.

FIG. 3 is a front elevational view of the light string picture frame shown in the first configuration.

FIG. 4 is a front elevational view of the light string picture frame shown in the second configuration.

FIG. 5 is a rear elevational view of the light string picture frame shown in the first configuration.

FIG. 6 is a rear elevational view of the light string picture frame shown in the second configuration.

FIG. 7 is a top plan view of the light string picture frame shown in the first configuration.

FIG. 8 is a top plan view of the light string picture frame shown in the second configuration.

FIG. 9 is a bottom plan view of the light string picture frame shown the first configuration.

FIG. 10 is a bottom plan view of the light shown string picture frame shown in the second configuration.

FIG. 11 is a right side elevational view of the light string picture frame shown in the first configuration.

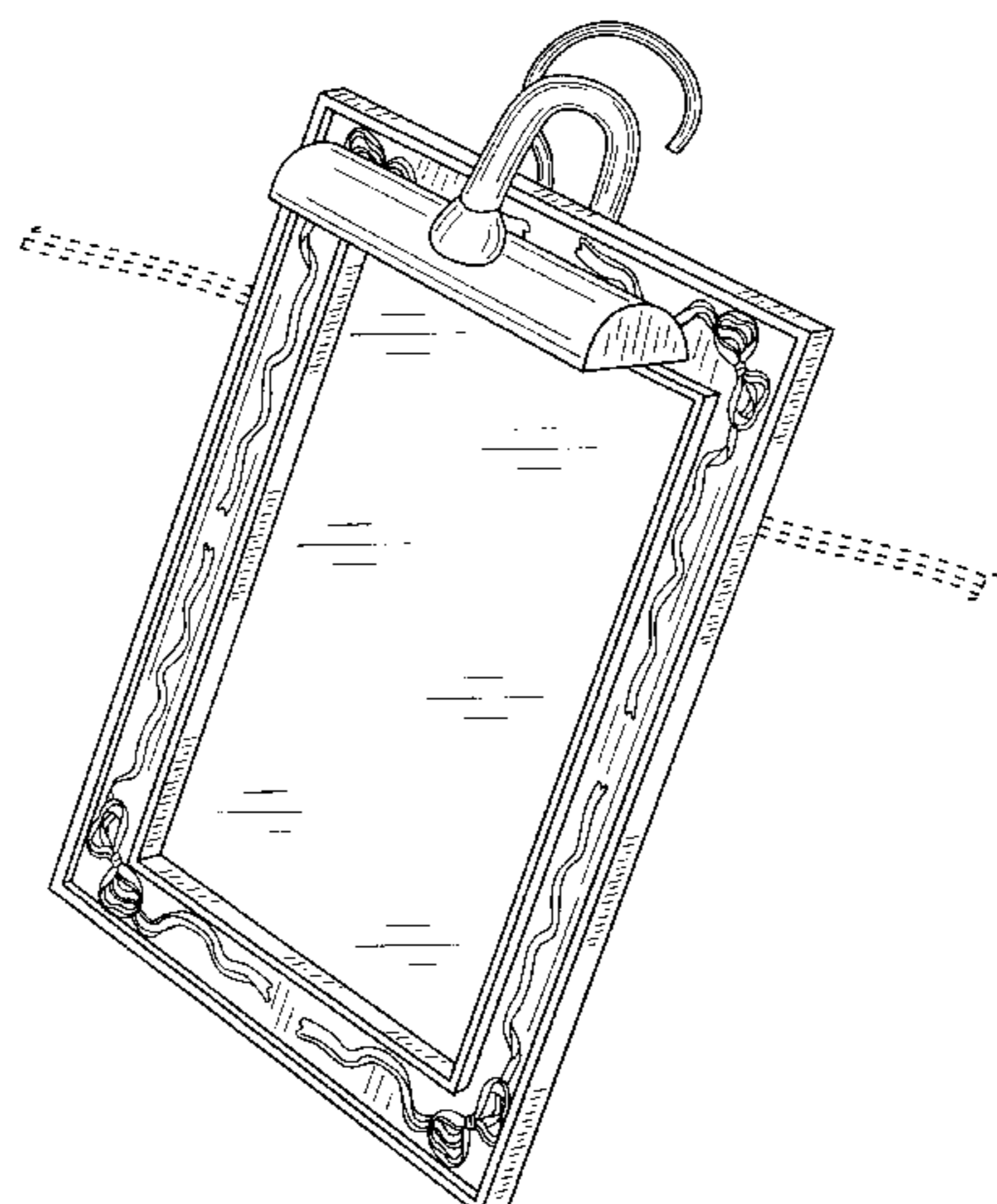
FIG. 12 is a right side elevational view of the light string picture frame shown in the second configuration.

FIG. 13 is a left side elevational view of the light string picture frame shown in the first configuration; and,

FIG. 14 is a left side elevational view of the light string picture frame shown in the second configuration.

The broken lines are for environmental purposes only and form no part of the claimed design.

1 Claim, 8 Drawing Sheets



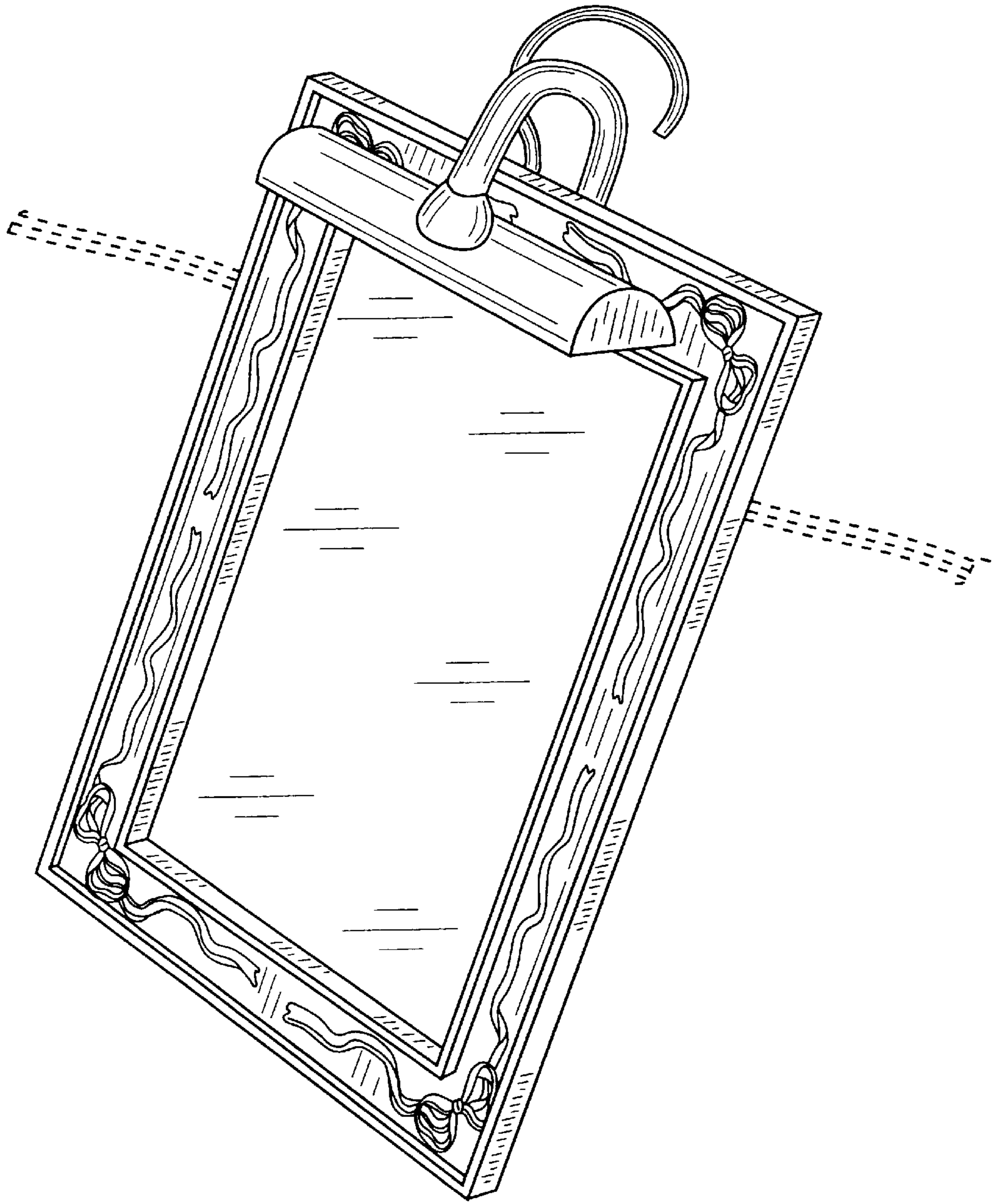


FIG. 1

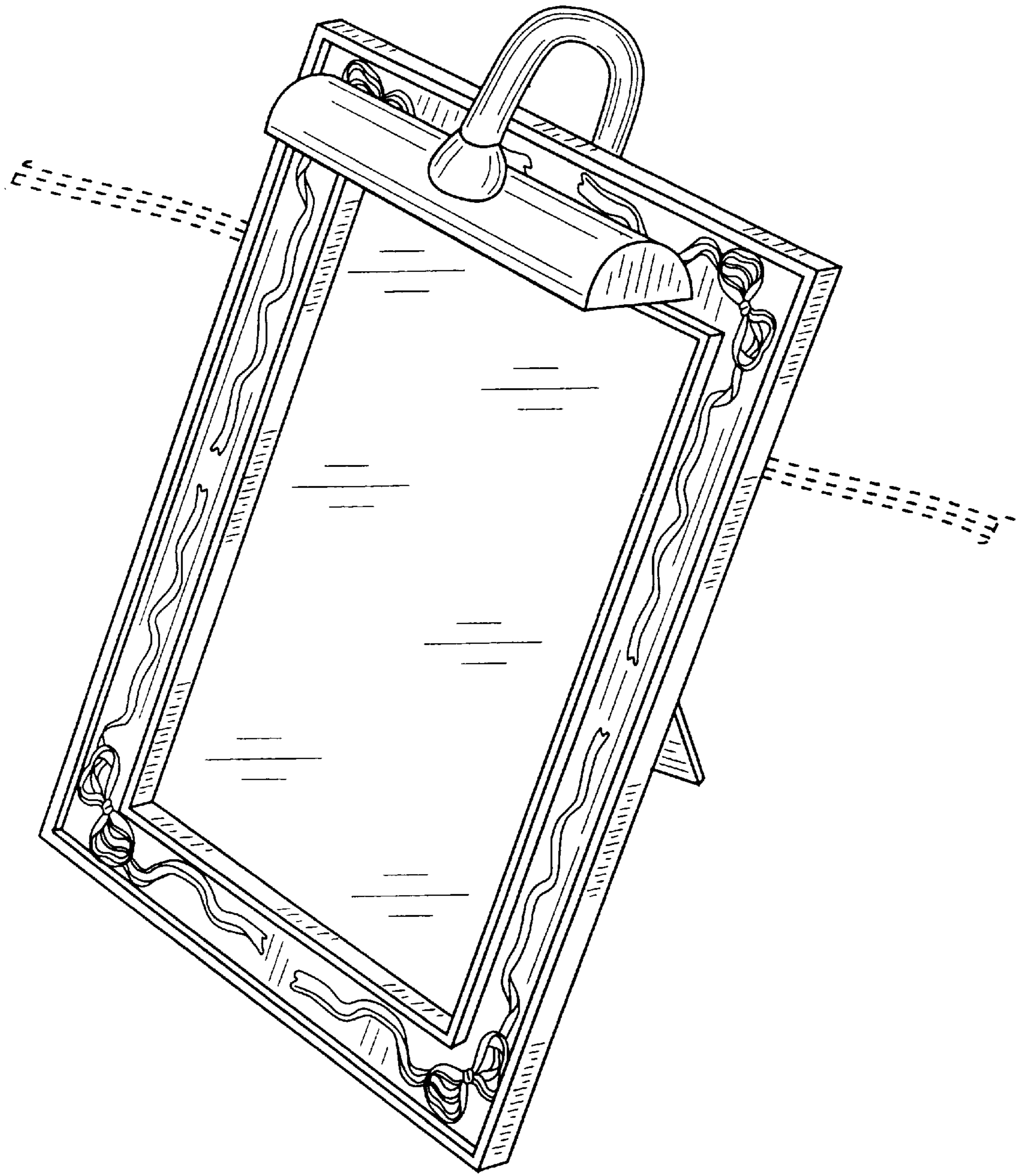
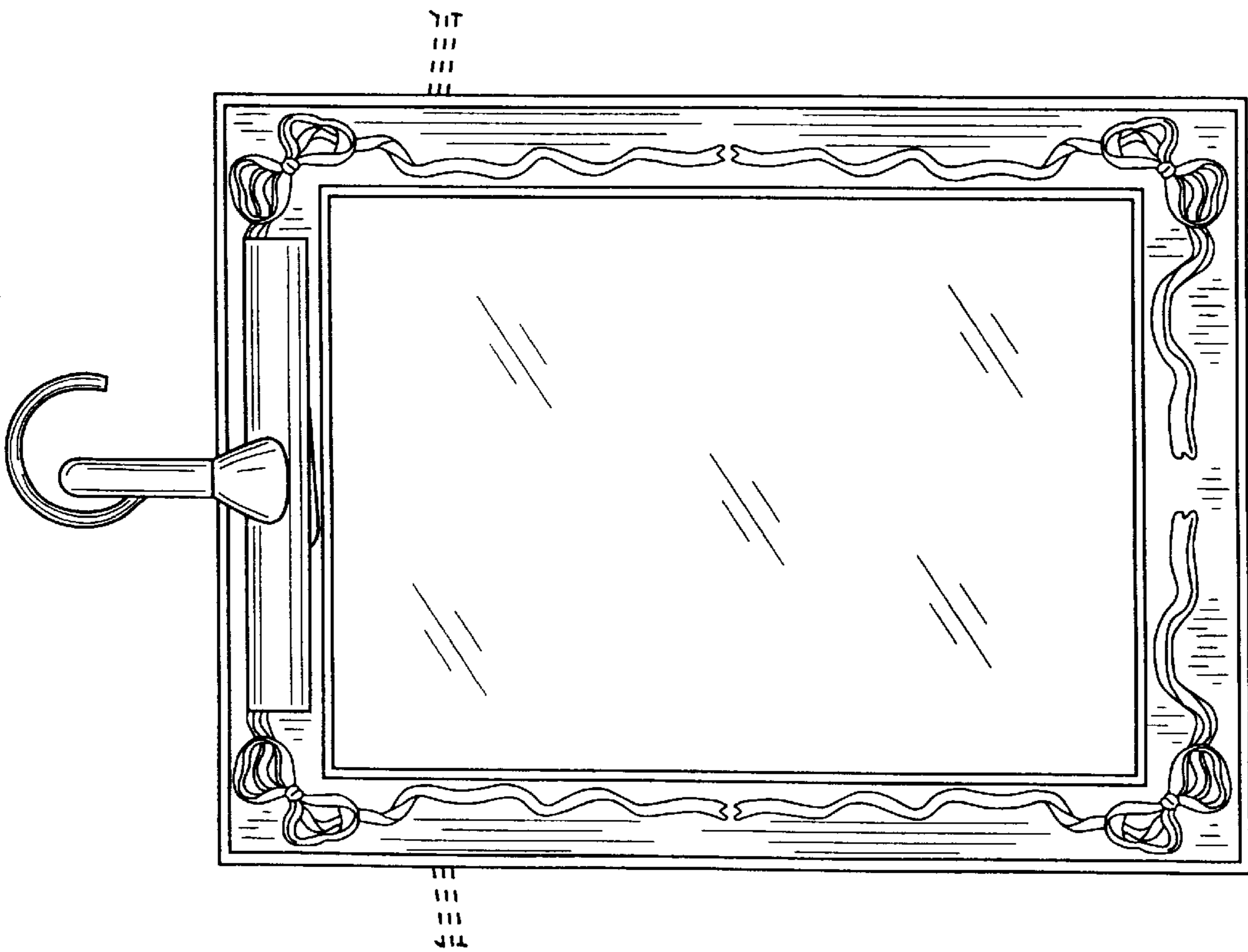
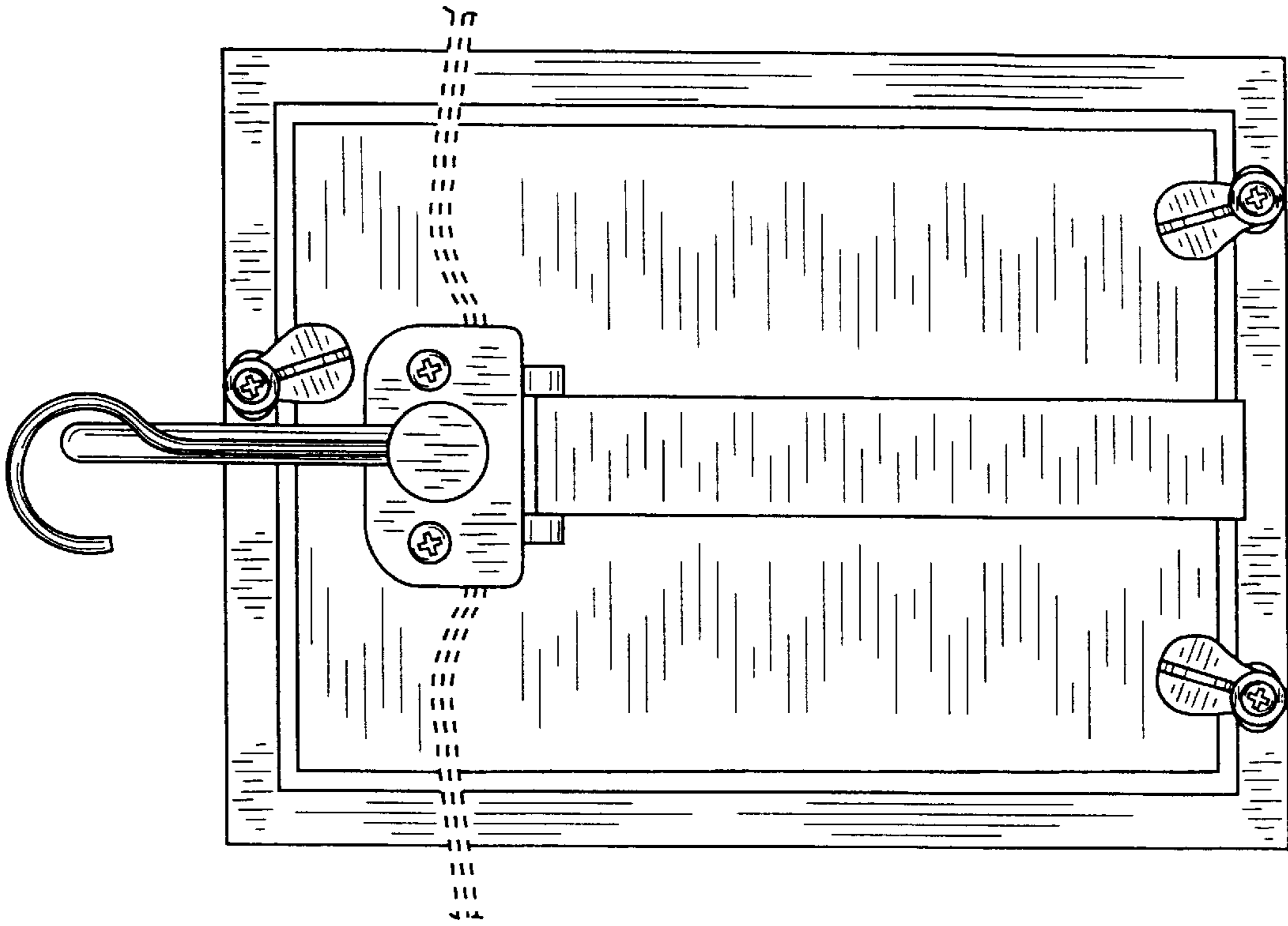


FIG. 2



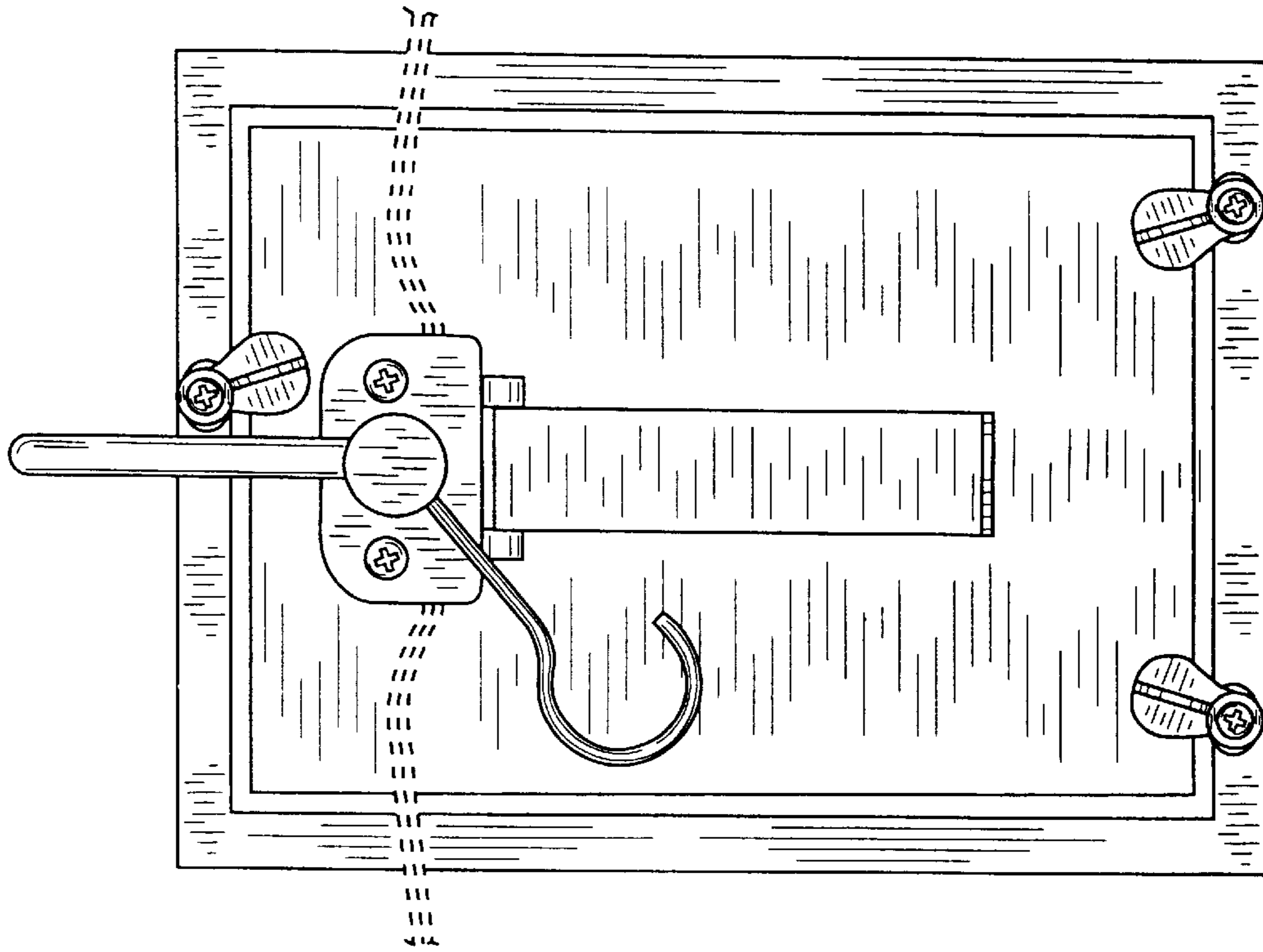


FIG. 6

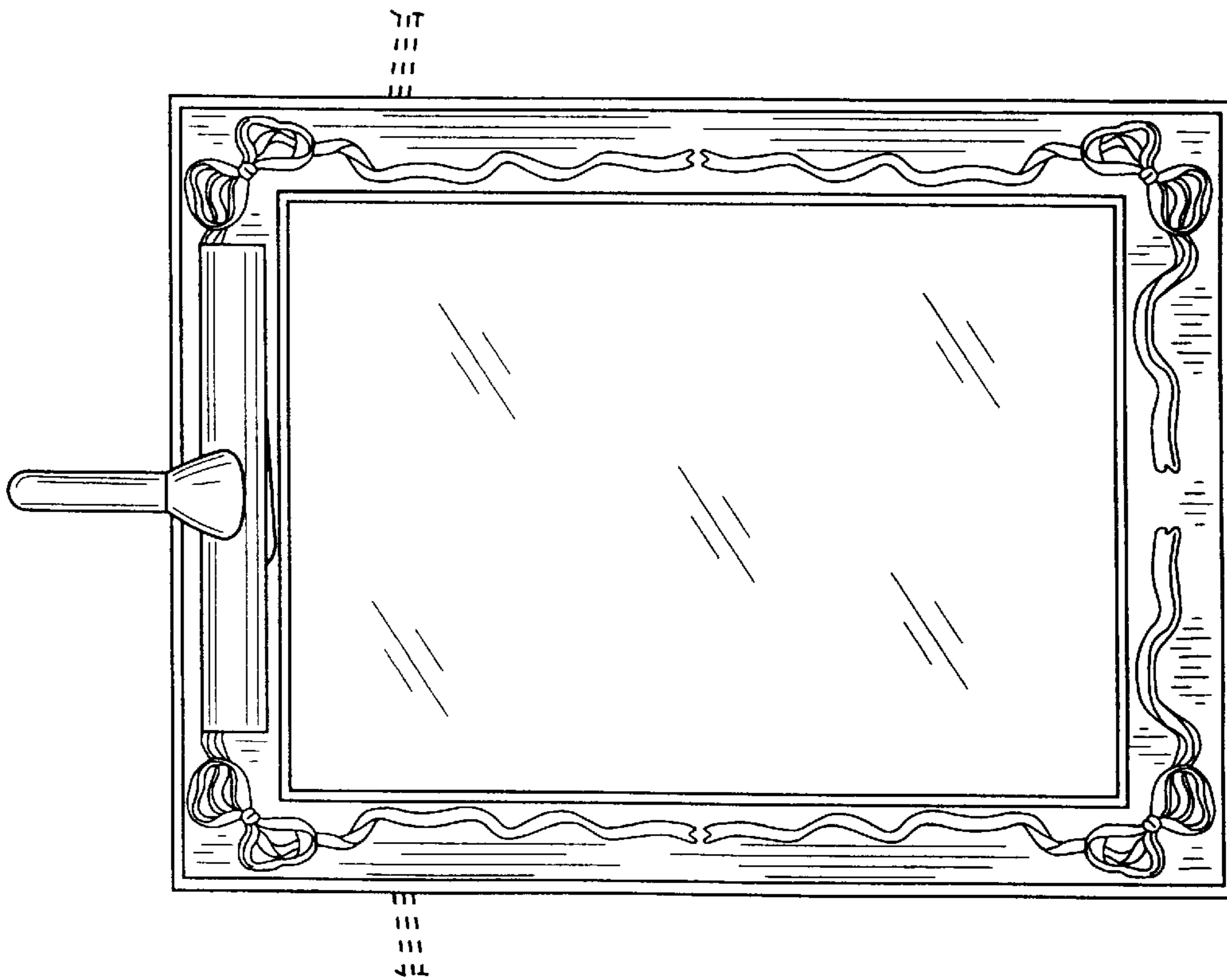


FIG. 4

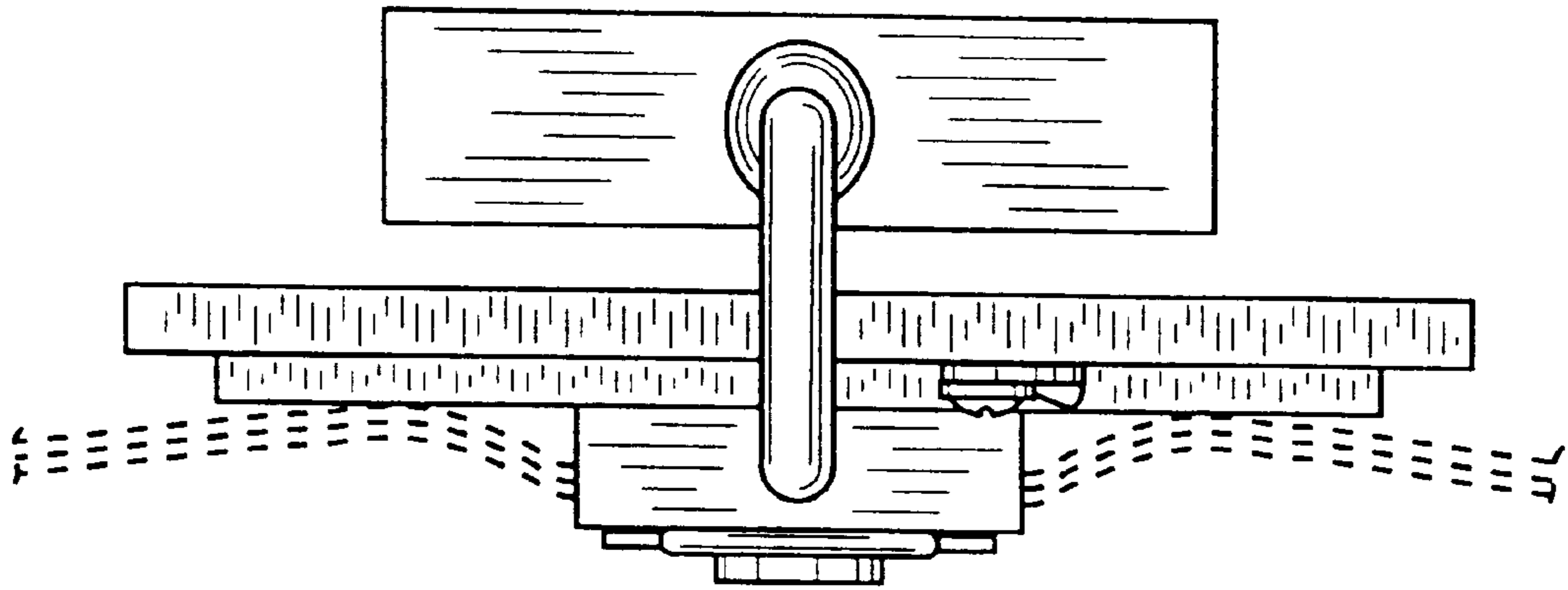


FIG. 7

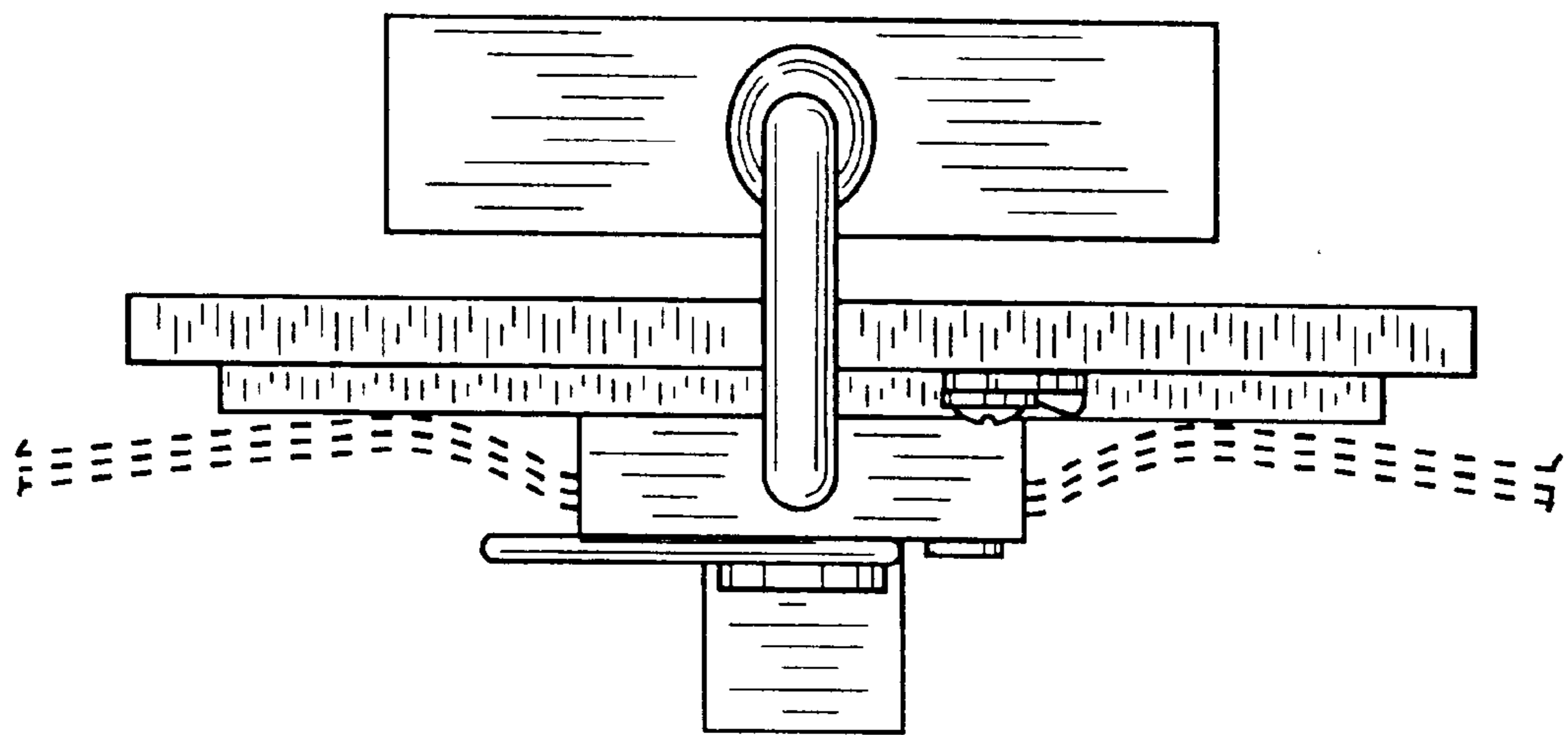


FIG. 8

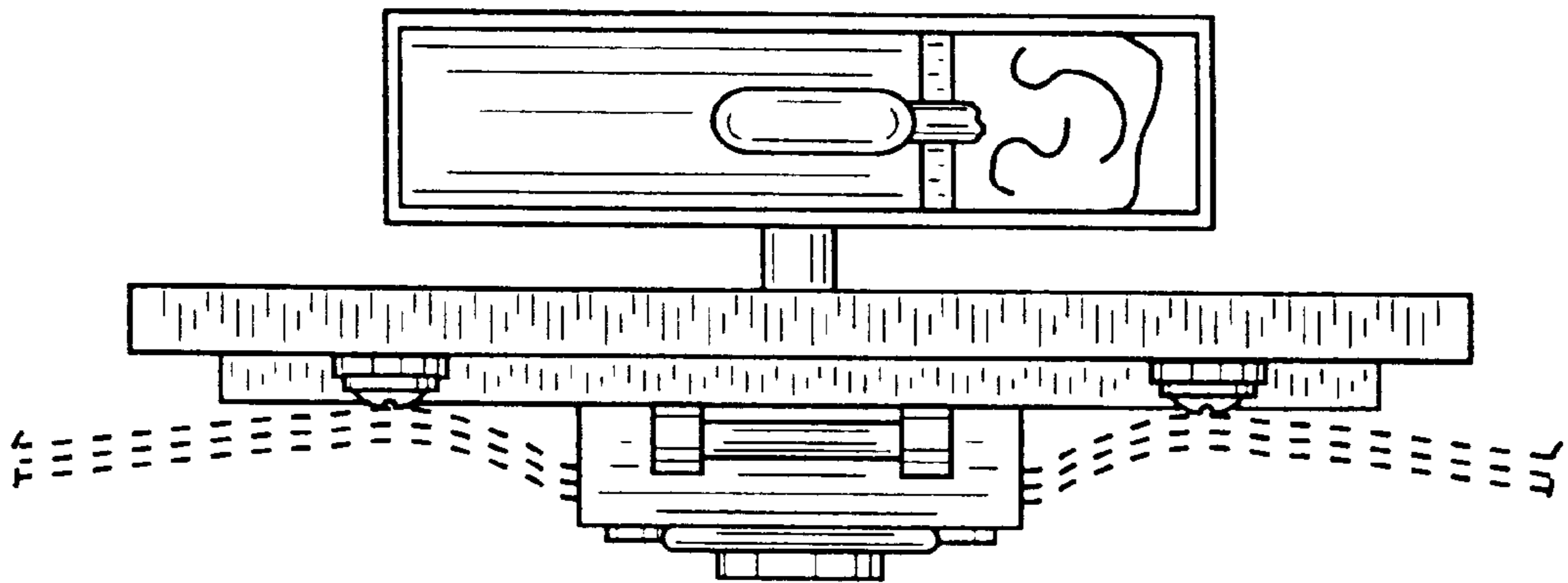


FIG. 9

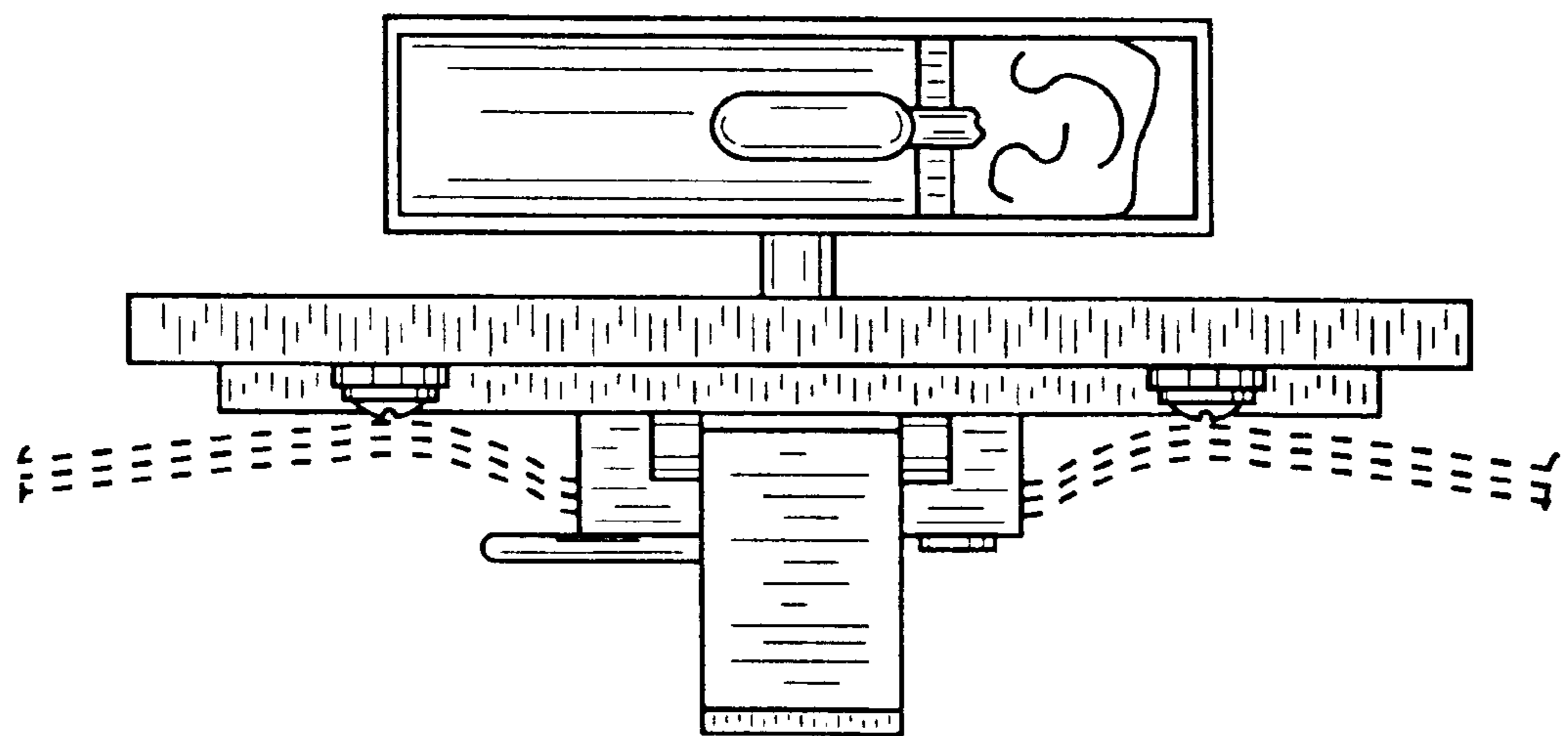


FIG. 10

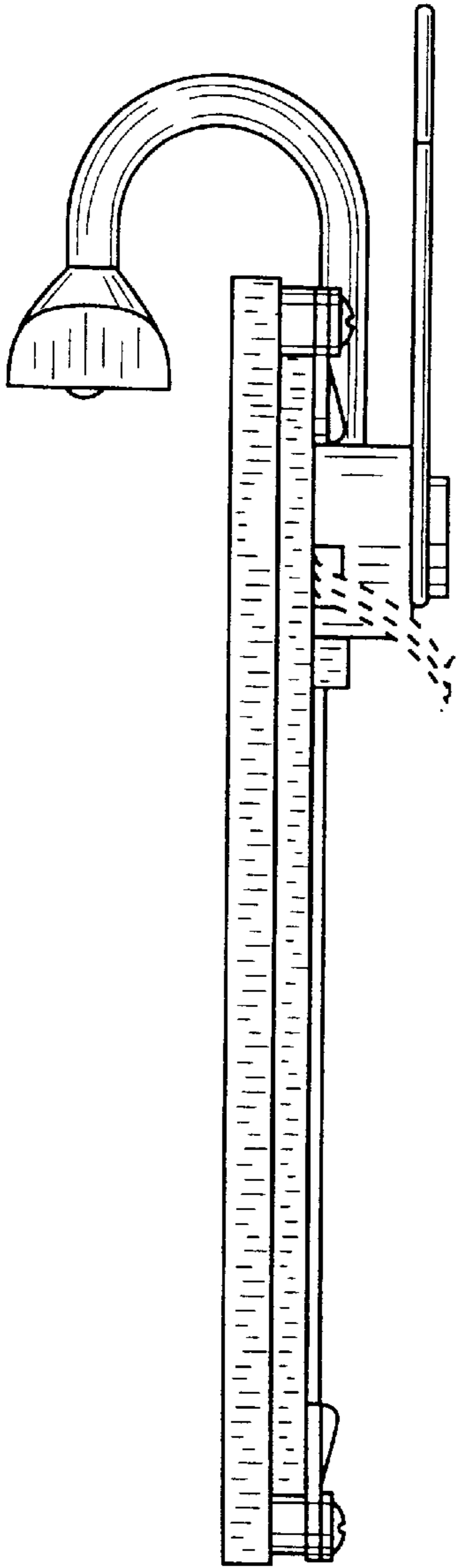


FIG. 11

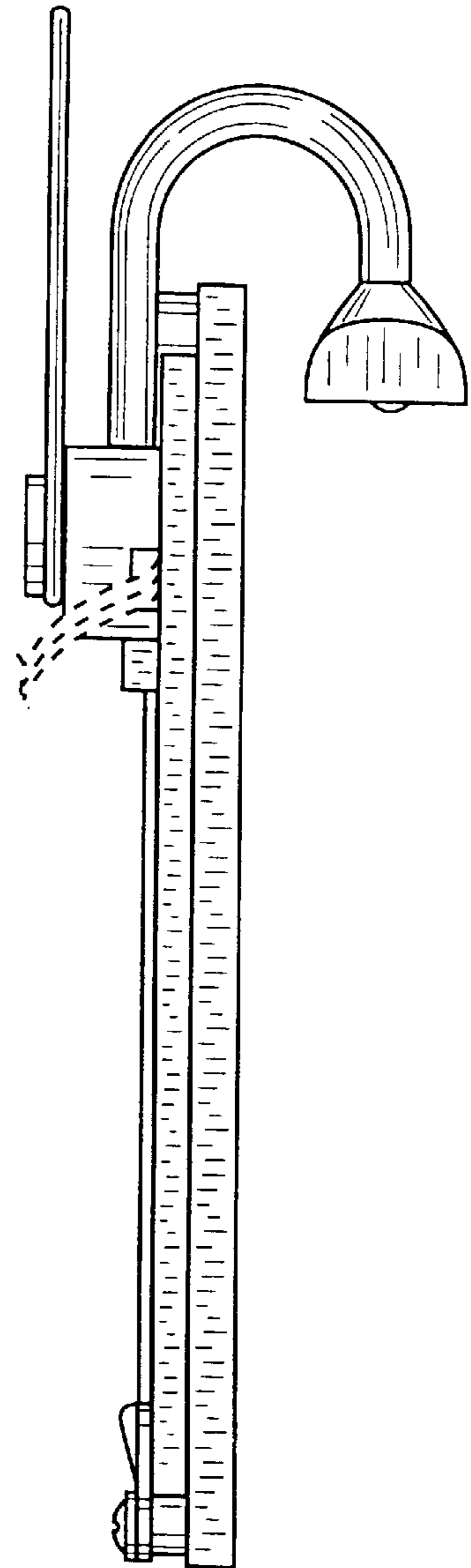


FIG. 13

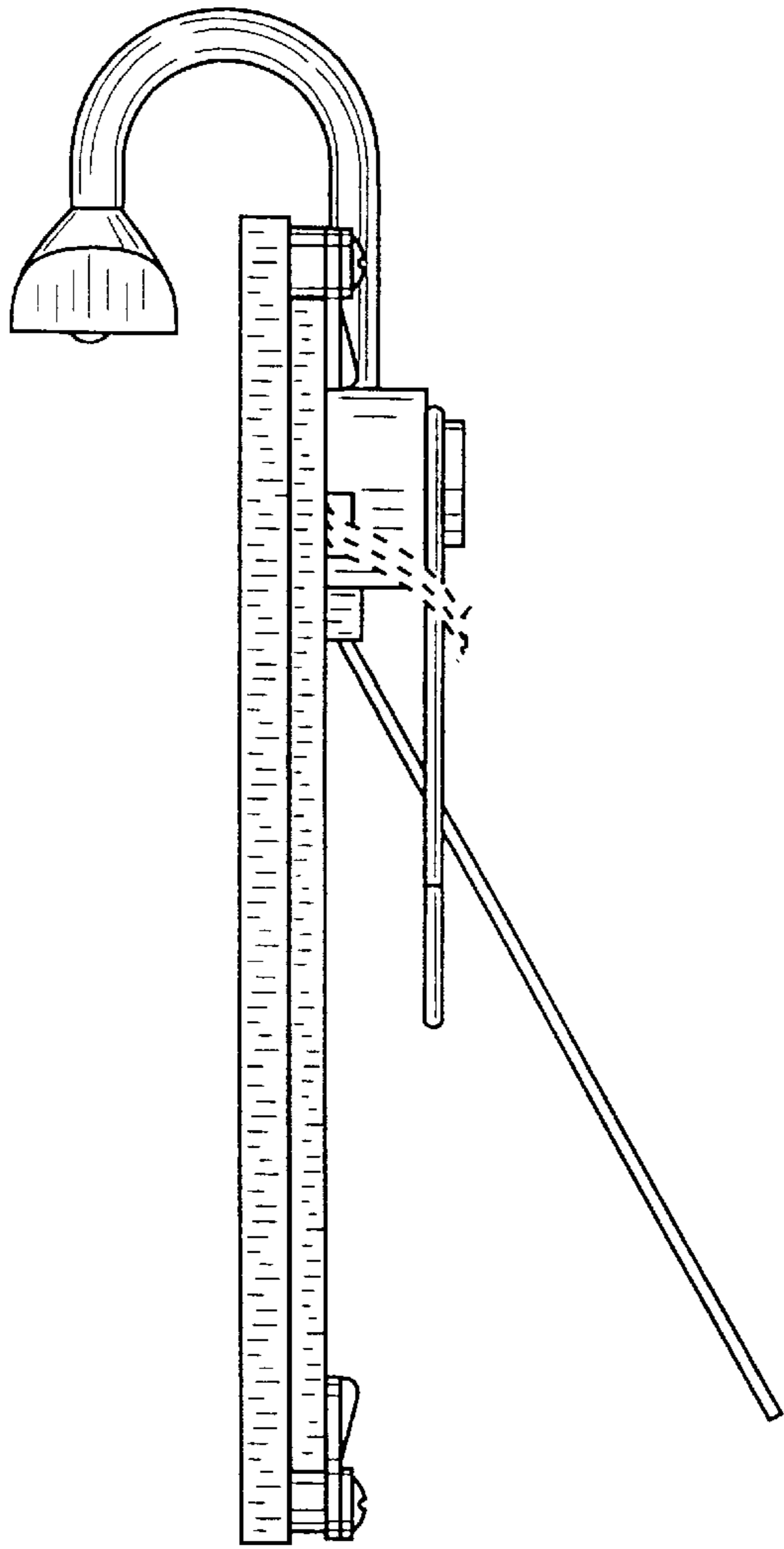


FIG. 12

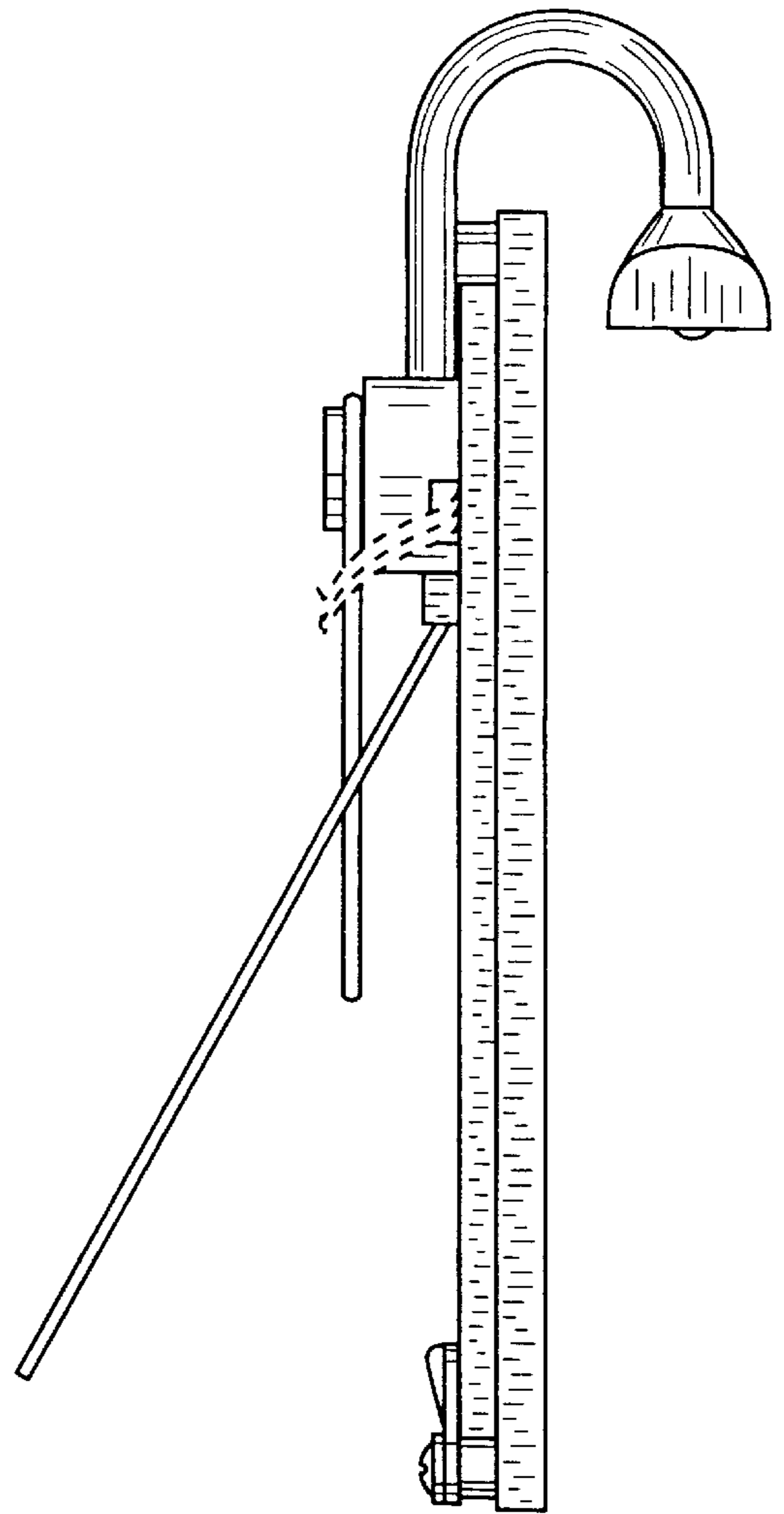


FIG. 14