



US00D451683B1

(12) **United States Design Patent**
Vincent

(10) **Patent No.:** **US D451,683 S**

(45) **Date of Patent:** **** Dec. 11, 2001**

(54) **PICTURE FRAME**

(75) Inventor: **Tom Vincent**, San Rafael, CA (US)

(73) Assignee: **Umbra, Inc.**, Buffalo, NY (US)

(**) Term: **14 Years**

(21) Appl. No.: **29/135,472**

(22) Filed: **Jan. 12, 2001**

(51) **LOC (7) Cl.** **06-07**

(52) **U.S. Cl.** **D6/300**

(58) **Field of Search** D6/330-314; 40/700,
40/711, 714, 720, 722, 724, 735, 745, 748-752,
780, 790, 791, 661, 626, 470

(56) **References Cited**

U.S. PATENT DOCUMENTS

D. 295,699	*	5/1988	Purdy	D6/310
D. 370,568	*	6/1996	Wynne	D6/306
D. 394,959	*	6/1998	Kwan	D6/314
2,549,928	*	4/1951	Reefe	D6/308

4,304,447	*	12/1981	Ellwood et al.	312/204
4,546,019	*	10/1985	Schneider	428/13
4,726,133	*	2/1988	Rainone et al.	40/780

* cited by examiner

Primary Examiner—Janice E. Seeger

(74) *Attorney, Agent, or Firm*—Saidman DesignLaw Group

(57) **CLAIM**

The ornamental design for a picture frame, as shown and described.

DESCRIPTION

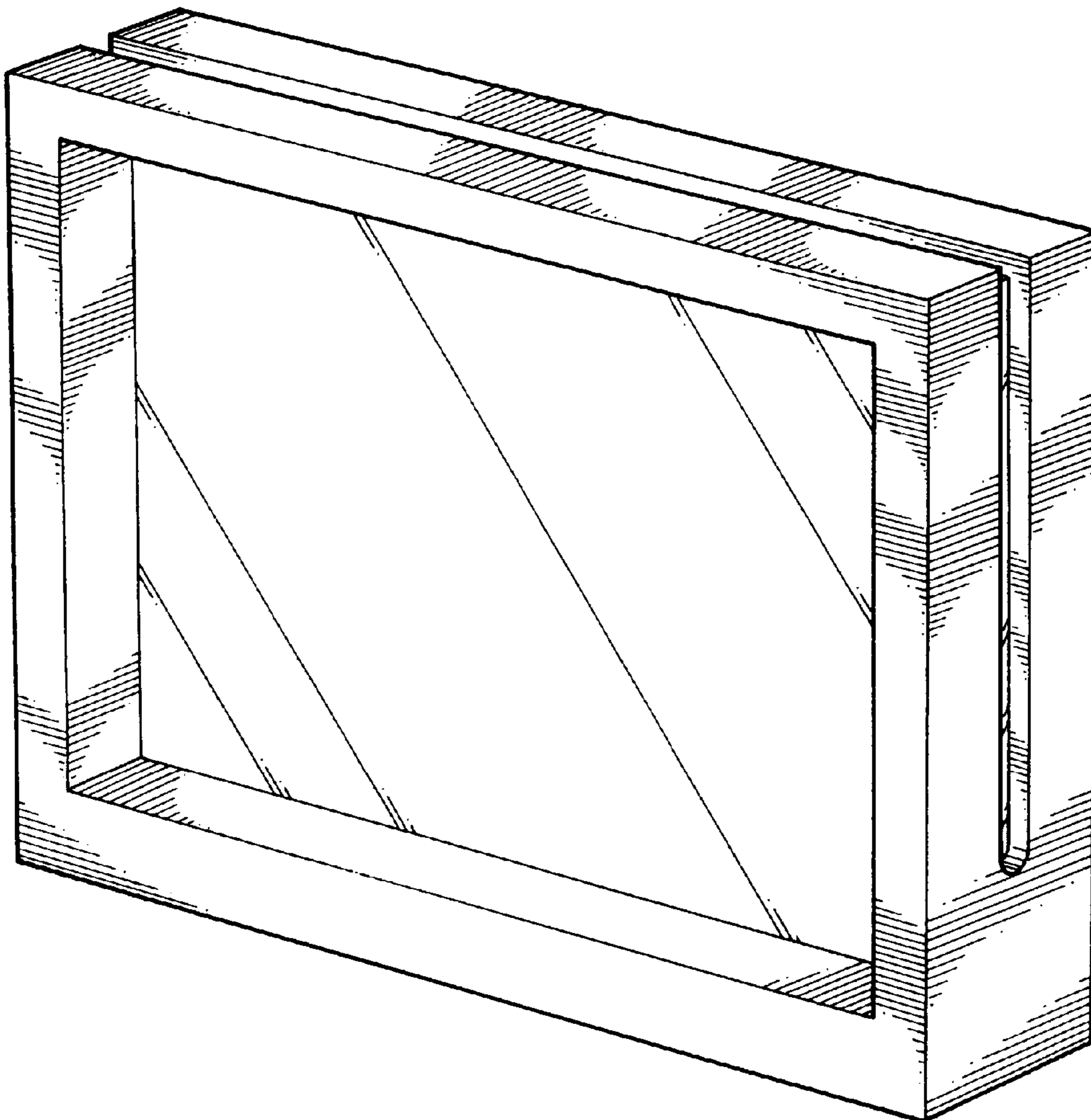
FIG. 1 is a perspective view of a picture frame showing my new design;

FIG. 2 is a front view thereof, the rear view being identical; FIG. 3 is a right side view thereof, the left side view being identical; and,

FIG. 4 is a top view thereof.

The bottom view is omitted and forms no part of the claimed design.

1 Claim, 3 Drawing Sheets



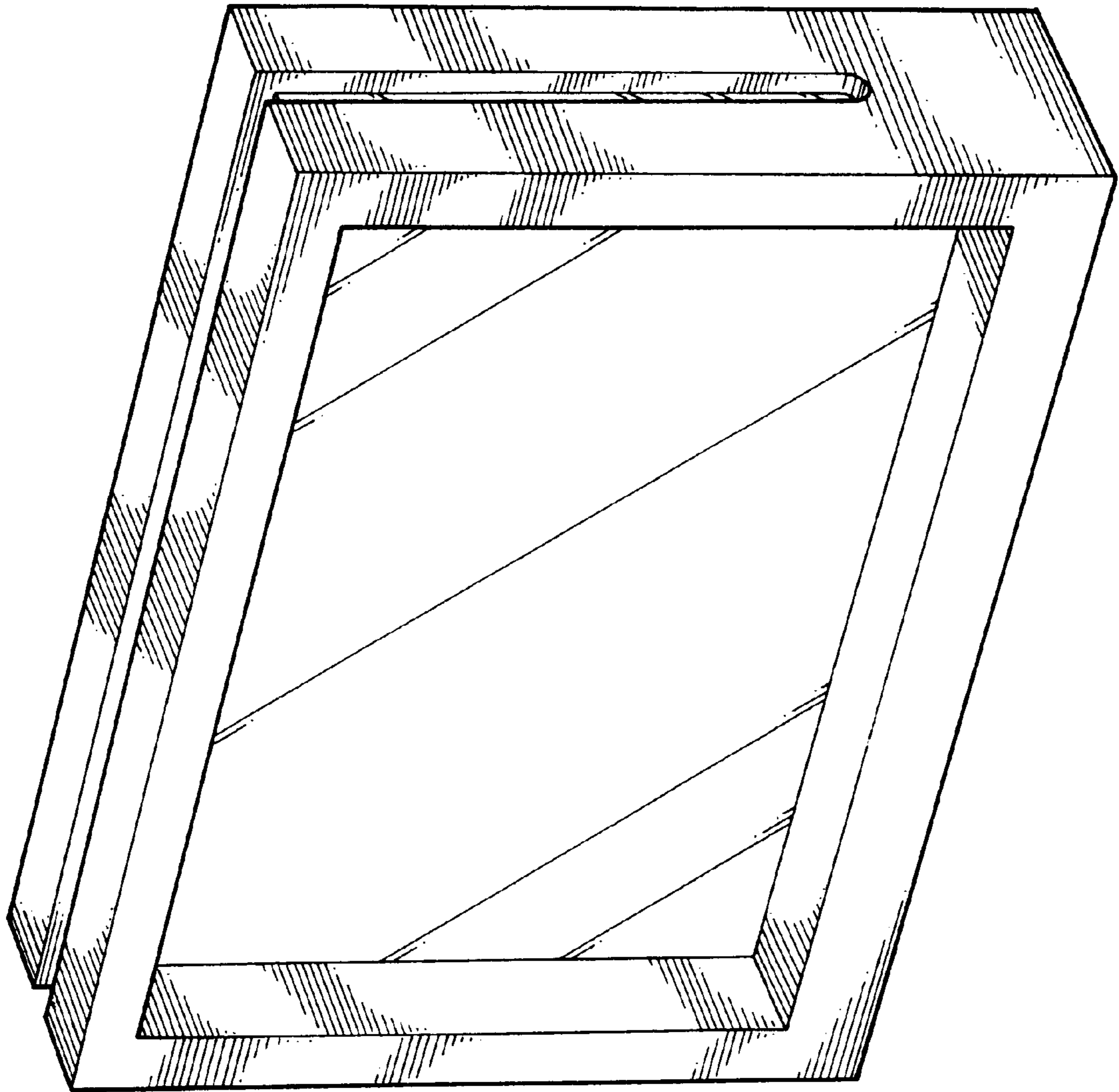


FIG.1

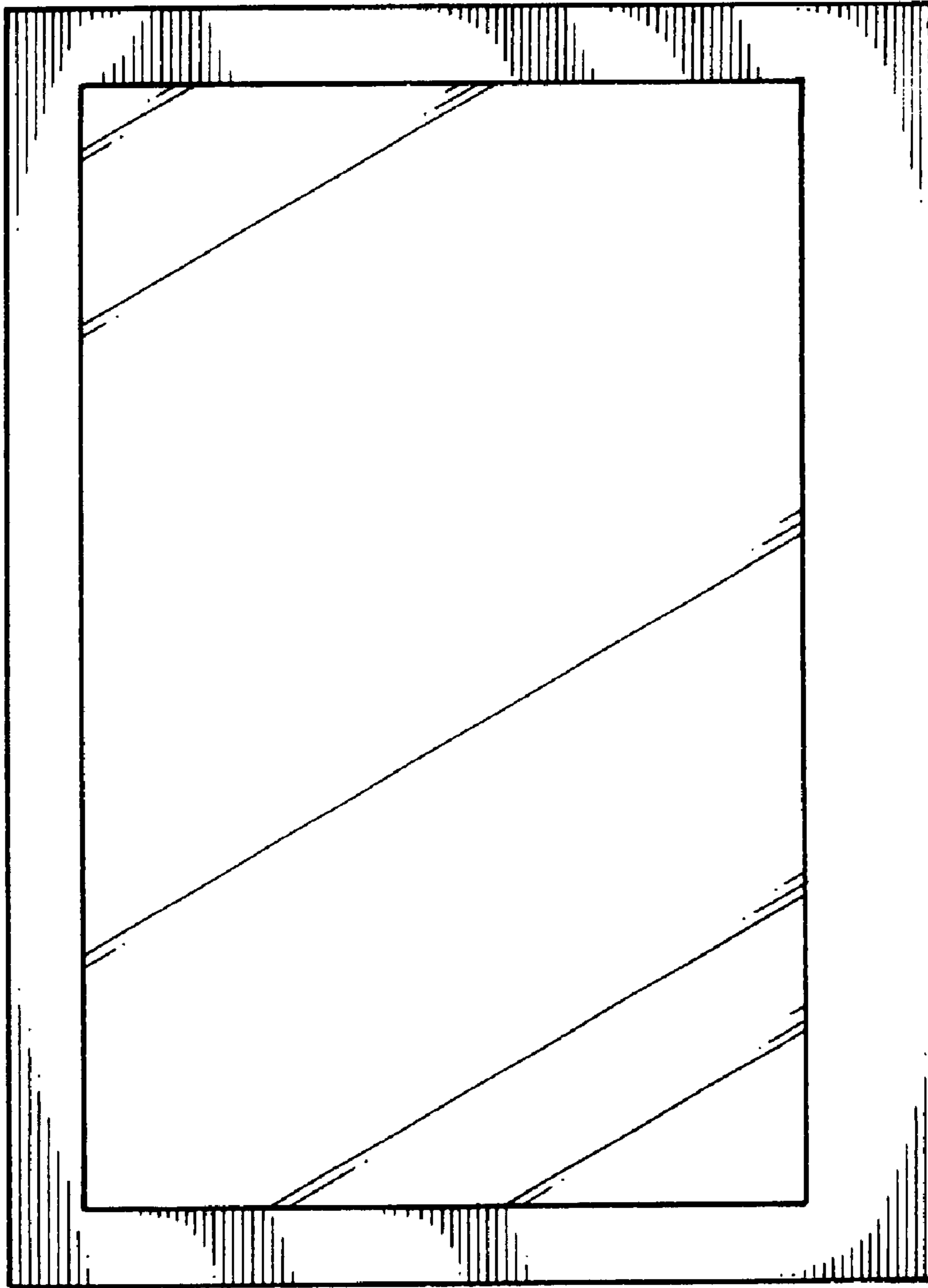


FIG.2

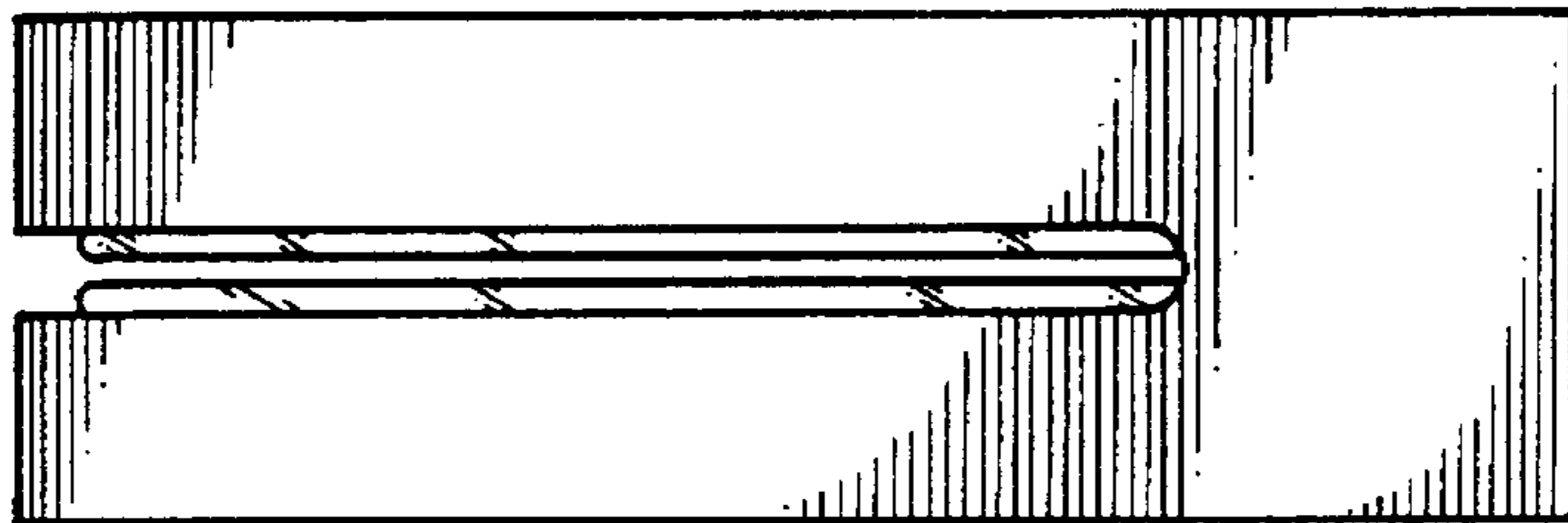


FIG. 3

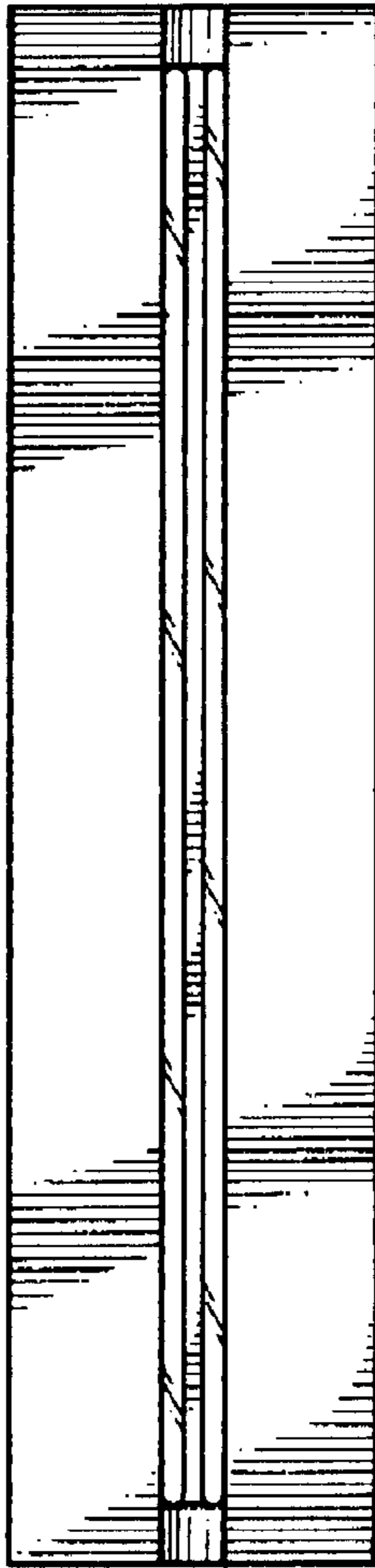


FIG. 4