



US00D451677B1

(12) **United States Design Patent**
Kim

(10) **Patent No.:** **US D451,677 S**

(45) **Date of Patent:** **** Dec. 11, 2001**

(54) **CLASP FOR BAGS**

2,784,756 * 3/1957 Resnick 150/118
2,798,524 * 7/1957 Ryon 150/118

(76) Inventor: **Hyung Tae Kim**, 66-4 Tan Bang Dong,
Seo-Ku, Daejeon City (KR)

* cited by examiner

(**) Term: **14 Years**

Primary Examiner—Louis S. Zarfes
Assistant Examiner—Monica A. Weingart
(74) *Attorney, Agent, or Firm*—Jerry Noh

(21) Appl. No.: **29/125,969**

(22) Filed: **Jul. 1, 2000**

(57) **CLAIM**

(51) **LOC (7) Cl.** **03-01**

(52) **U.S. Cl.** **D3/324**

(58) **Field of Search** D3/201, 232, 234,
D3/238, 243, 245, 246, 318, 323, 324,
325, 326; D8/282; 150/118, 119, 120; 24/163 K,
238

The ornamental design of a clasp for bags, as shown and described.

DESCRIPTION

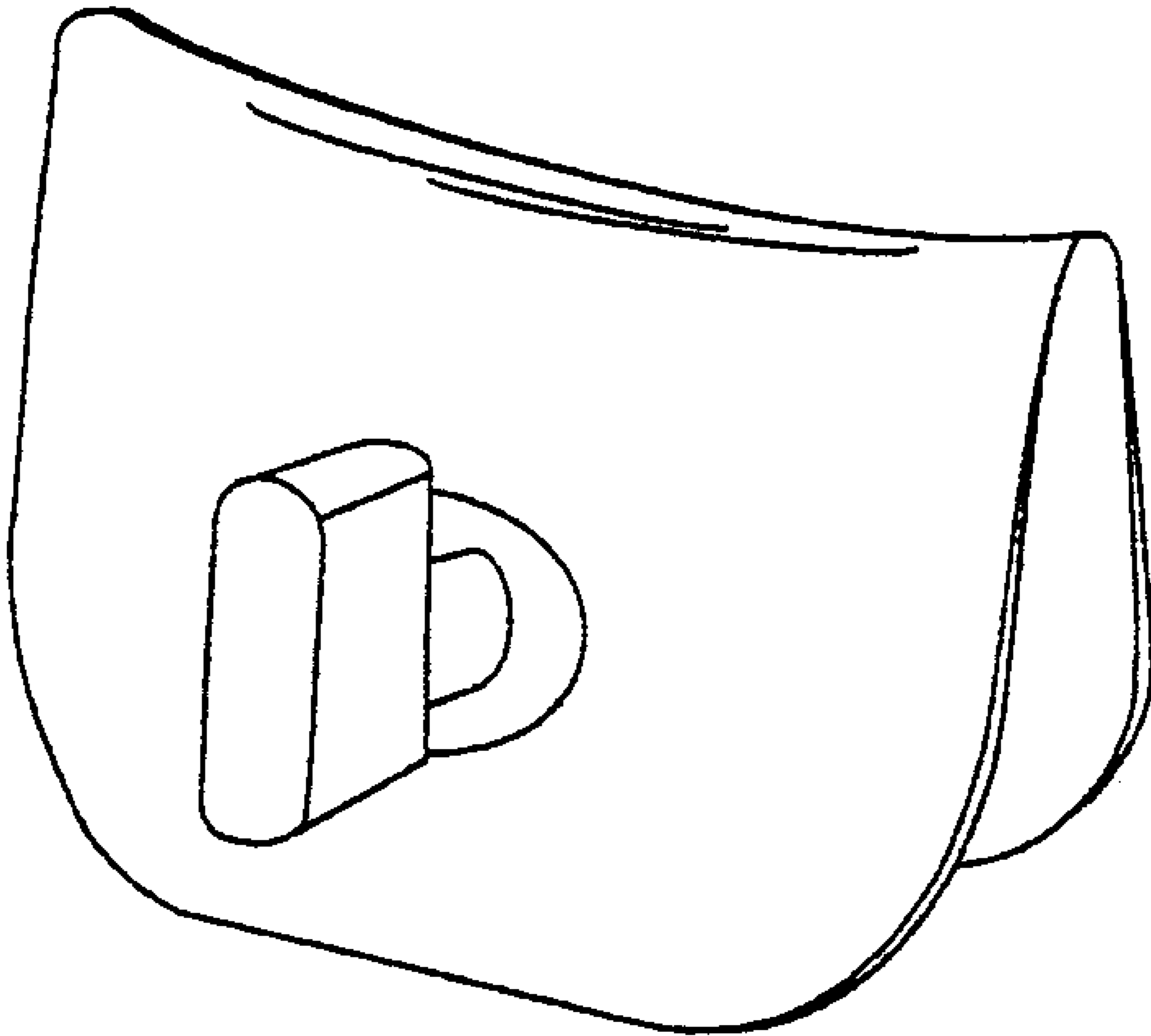
(56) **References Cited**

U.S. PATENT DOCUMENTS

D. 154,573 * 7/1949 Walitzky D3/243
D. 155,886 * 11/1949 Goldberg D3/243
D. 326,188 * 5/1992 Thomas D3/243
D. 396,554 * 8/1998 Roeder D3/243

FIG. 1 is a perspective view thereof of the ornamental design of a clasp for bags;
FIG. 2 is a front elevational view thereof;
FIG. 3 is a back elevational view thereof;
FIG. 4 is a right side elevational view thereof with the left side a mirror image thereof;
FIG. 5 is a top plan view thereof; and,
FIG. 6 is a bottom plan view thereof.

1 Claim, 1 Drawing Sheet



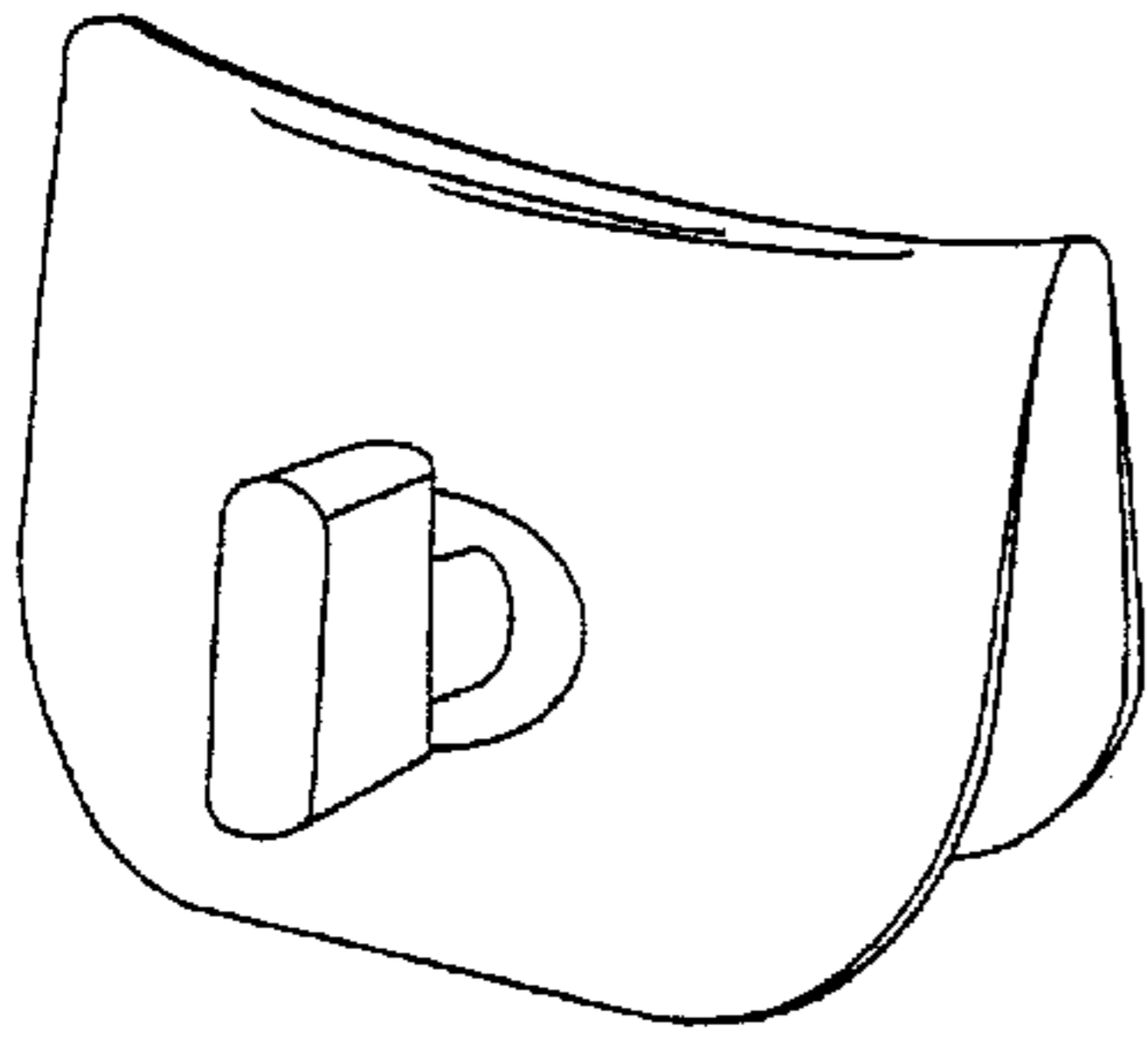


FIG. 1

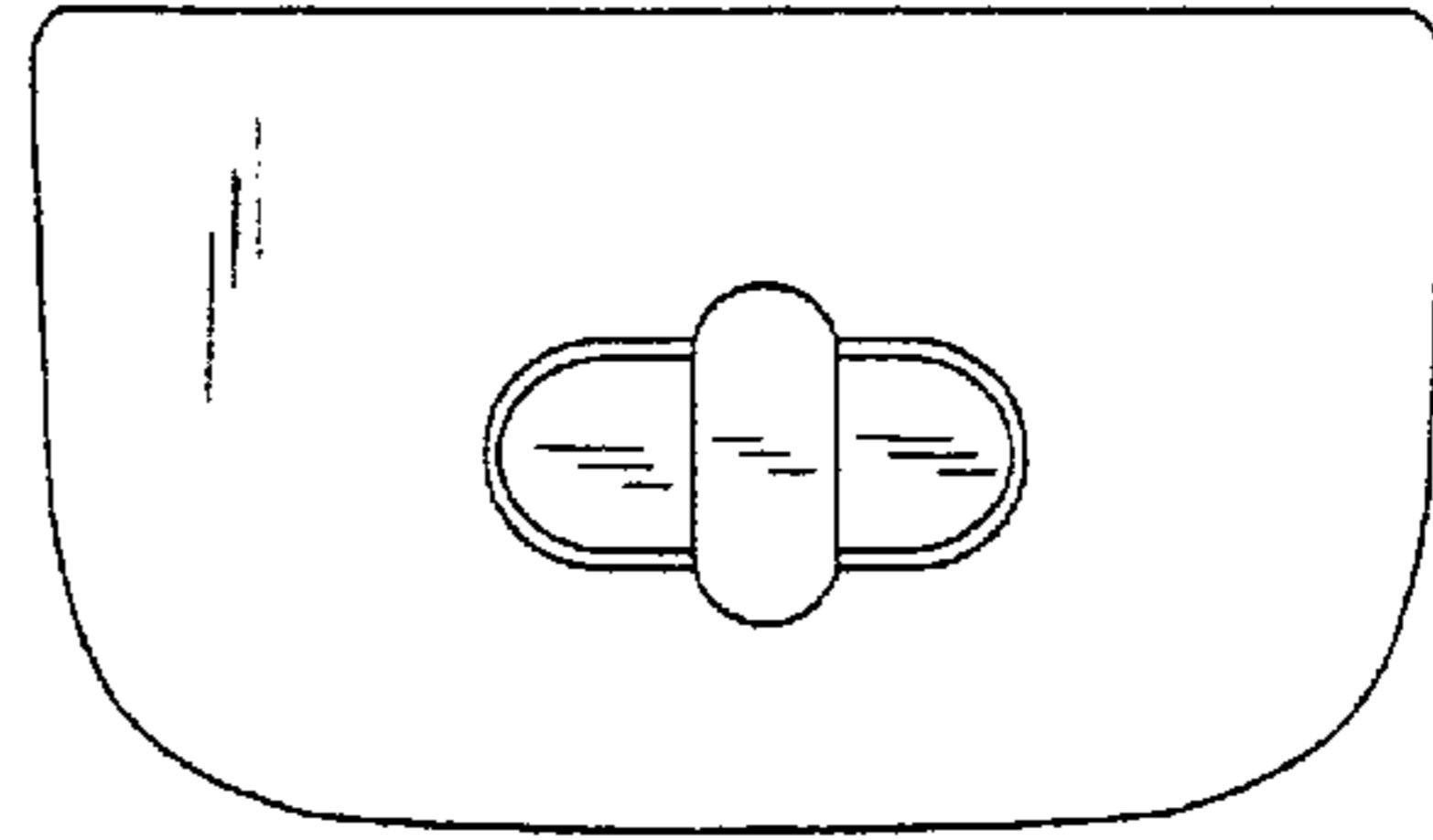


FIG. 2

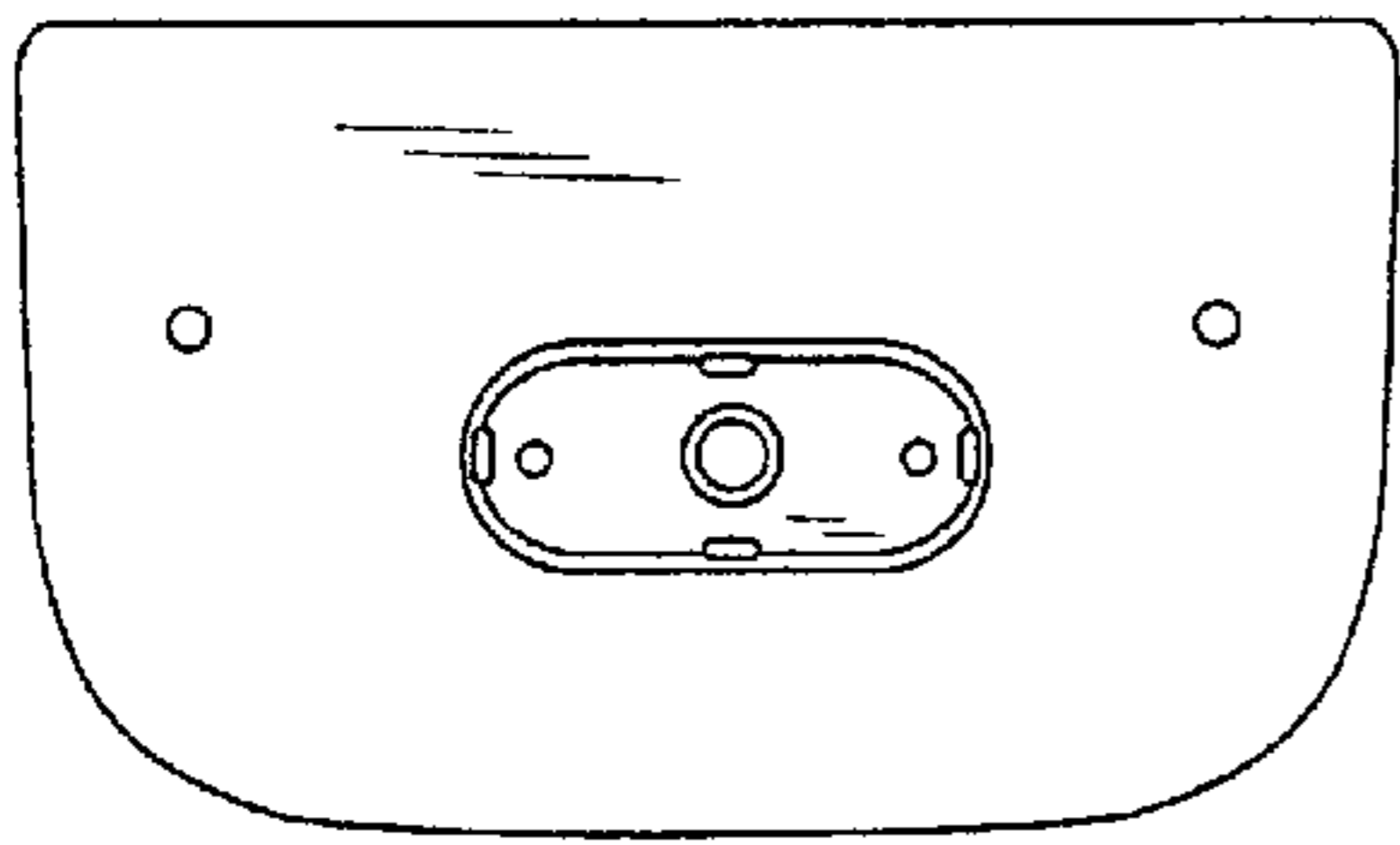


FIG. 3

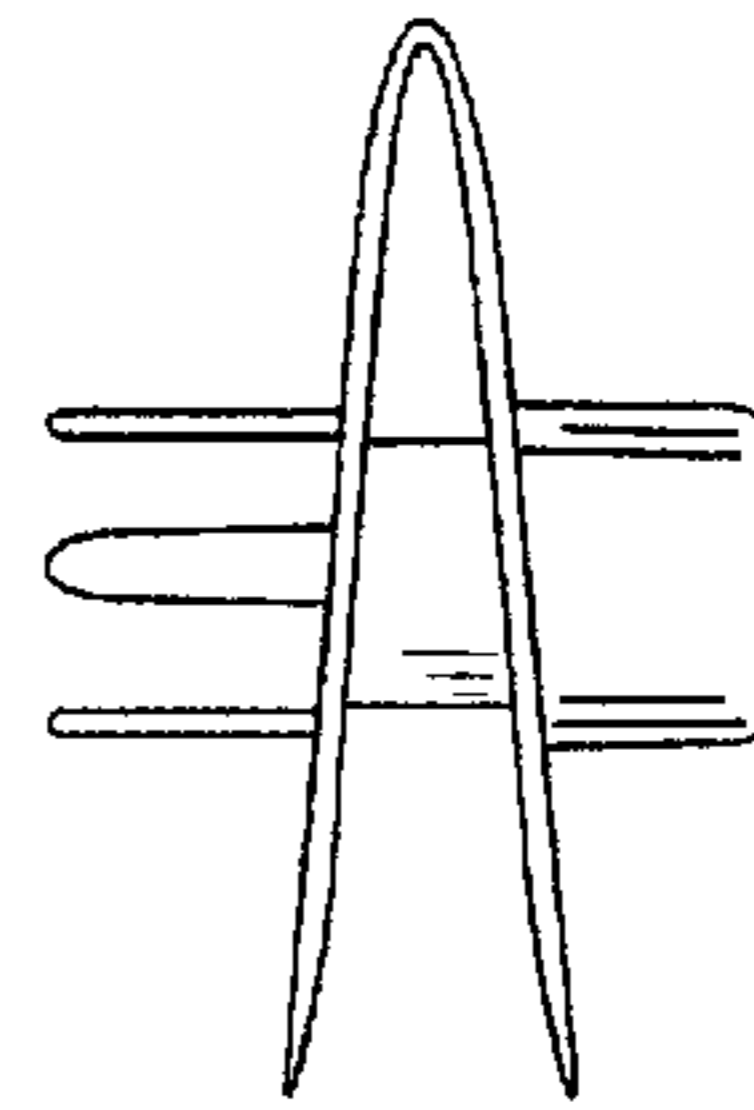


FIG. 4

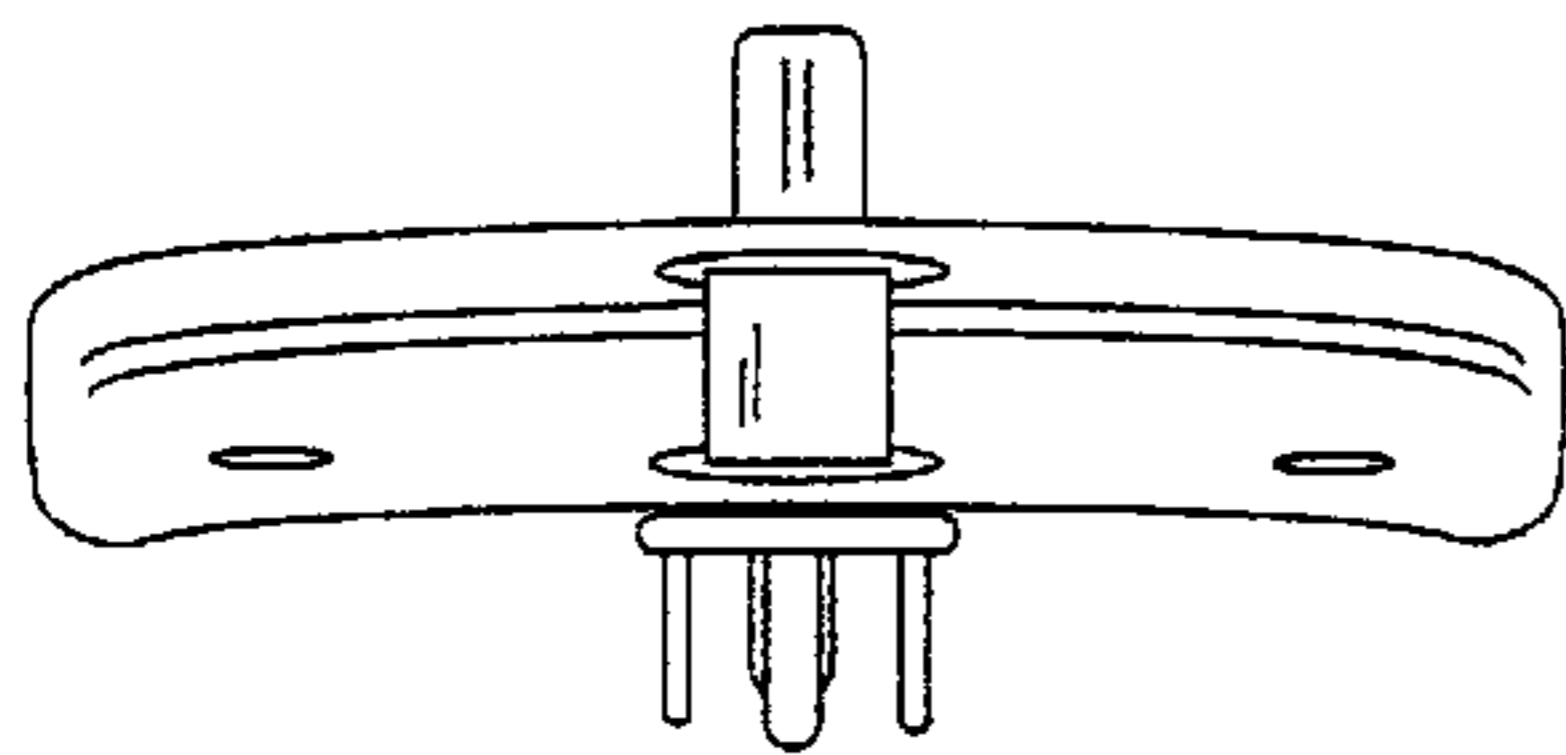


FIG. 5

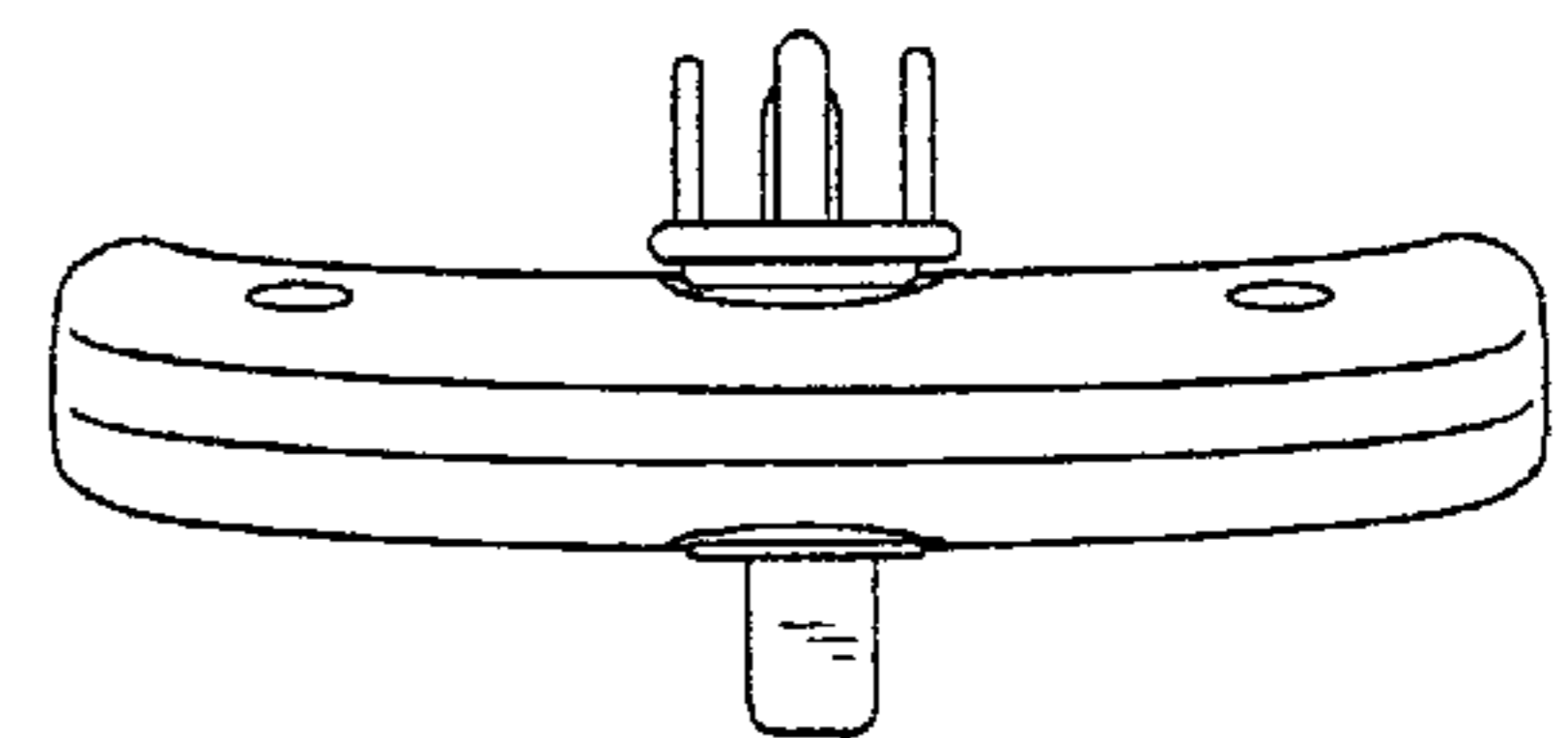


FIG. 6