



US00D451676B1

(12) **United States Design Patent**
Dembicks

(10) **Patent No.:** **US D451,676 S**

(45) **Date of Patent:** **** *Dec. 11, 2001**

(54) **FIVE COMPARTMENT TRAY**

(75) **Inventor:** **Tyler J. Dembicks**, Raleigh, NC (US)

(73) **Assignee:** **Andrews Toolworks, Inc.**, Raleigh, NC (US)

(*) **Notice:** This patent is subject to a terminal disclaimer.

(**) **Term:** **14 Years**

(21) **Appl. No.:** **29/127,491**

(22) **Filed:** **Aug. 8, 2000**

(51) **LOC (7) Cl.** **03-01**

(52) **U.S. Cl.** **D3/313**

(58) **Field of Search** D3/303-315; 206/561, 206/557, 558, 207; D7/553.1, 550, 553.2, 553.4; D15/90; 249/127, 129, 133

(56) **References Cited**

U.S. PATENT DOCUMENTS

D. 103,916	*	3/1937	Scurlock	D15/90
D. 278,255		4/1985	Evenson	D19/75
D. 321,074		10/1991	Eby	D3/313
D. 436,730	*	1/2001	Dembicks	D3/313
D. 437,116	*	2/2001	Dembicks	D3/313
1,791,594	*	2/1931	Herring	206/561
2,162,162		6/1939	Murguiondo	.	
2,313,394		3/1943	Norris	220/507
2,522,768	*	9/1950	Wiepert	206/561

2,796,742	*	6/1957	Platt	249/129
4,872,559		10/1989	Schoon	206/538
4,887,790		12/1989	Wilkinson et al.	220/507
5,753,456		5/1998	Naqui et al.	.	
6,102,855	*	8/2000	Kehr et al.	206/561

* cited by examiner

Primary Examiner—Catherine R. Oliver

(74) *Attorney, Agent, or Firm*—Akerman Senterfitt

(57) **CLAIM**

An ornamental design for a five compartment tray, as shown and described.

DESCRIPTION

FIG. 1 is a perspective view of the five compartment tray according to the subject invention.

FIG. 2 is a rear view of the five compartment tray in FIG. 1.

FIG. 3 is a front view of the five compartment tray in FIG. 1.

FIG. 4 is a sectional view of the five compartment tray taken along line 4—4 in FIG. 1.

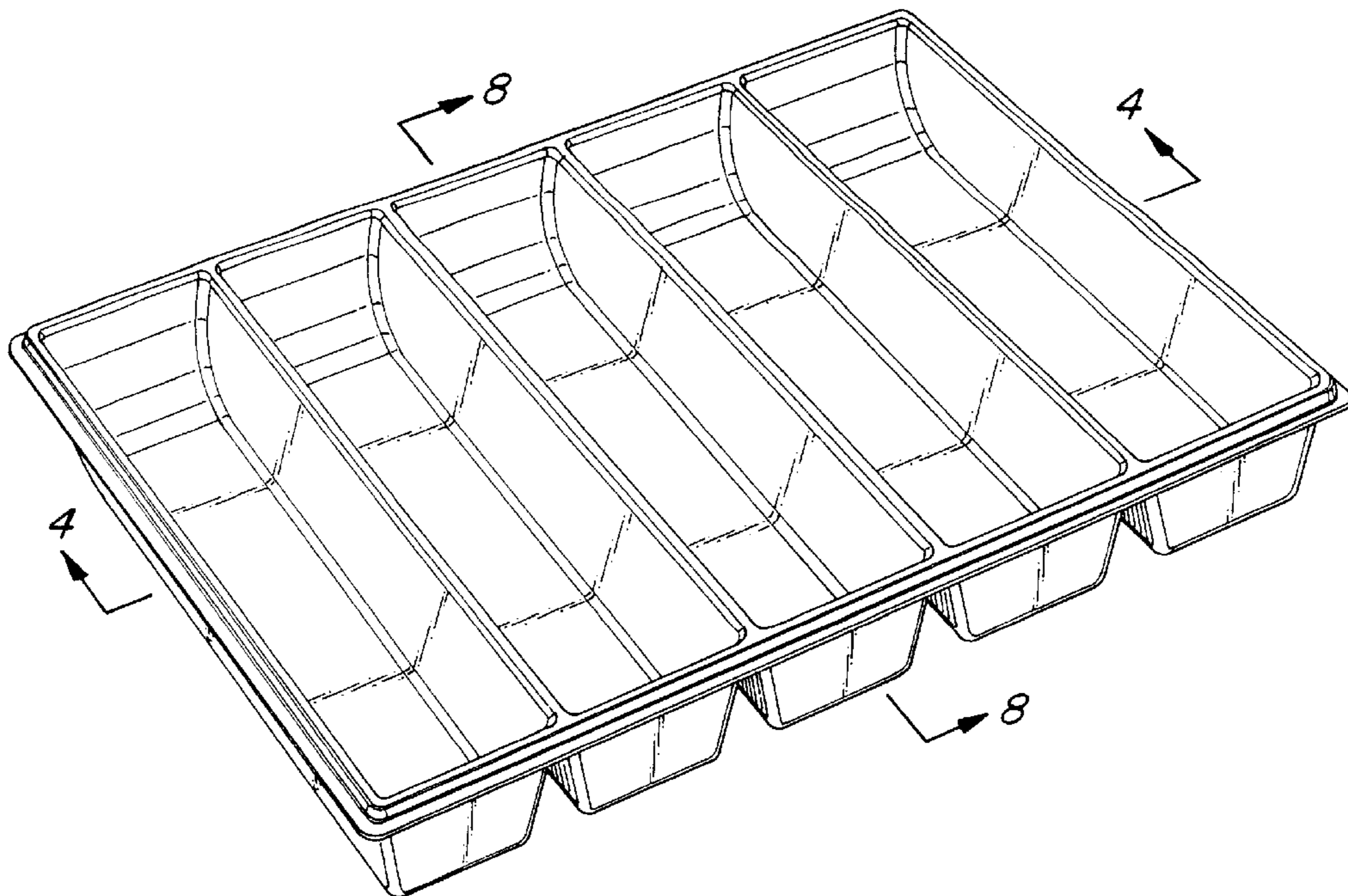
FIG. 5 is a top view of the five compartment tray in FIG. 1.

FIG. 6 is a bottom view of the five compartment tray in FIG. 1.

FIG. 7 is a side view of the five compartment tray in FIG. 1; and,

FIG. 8 is a sectional view of the five compartment tray taken along line 8—8 in FIG. 1.

1 Claim, 2 Drawing Sheets



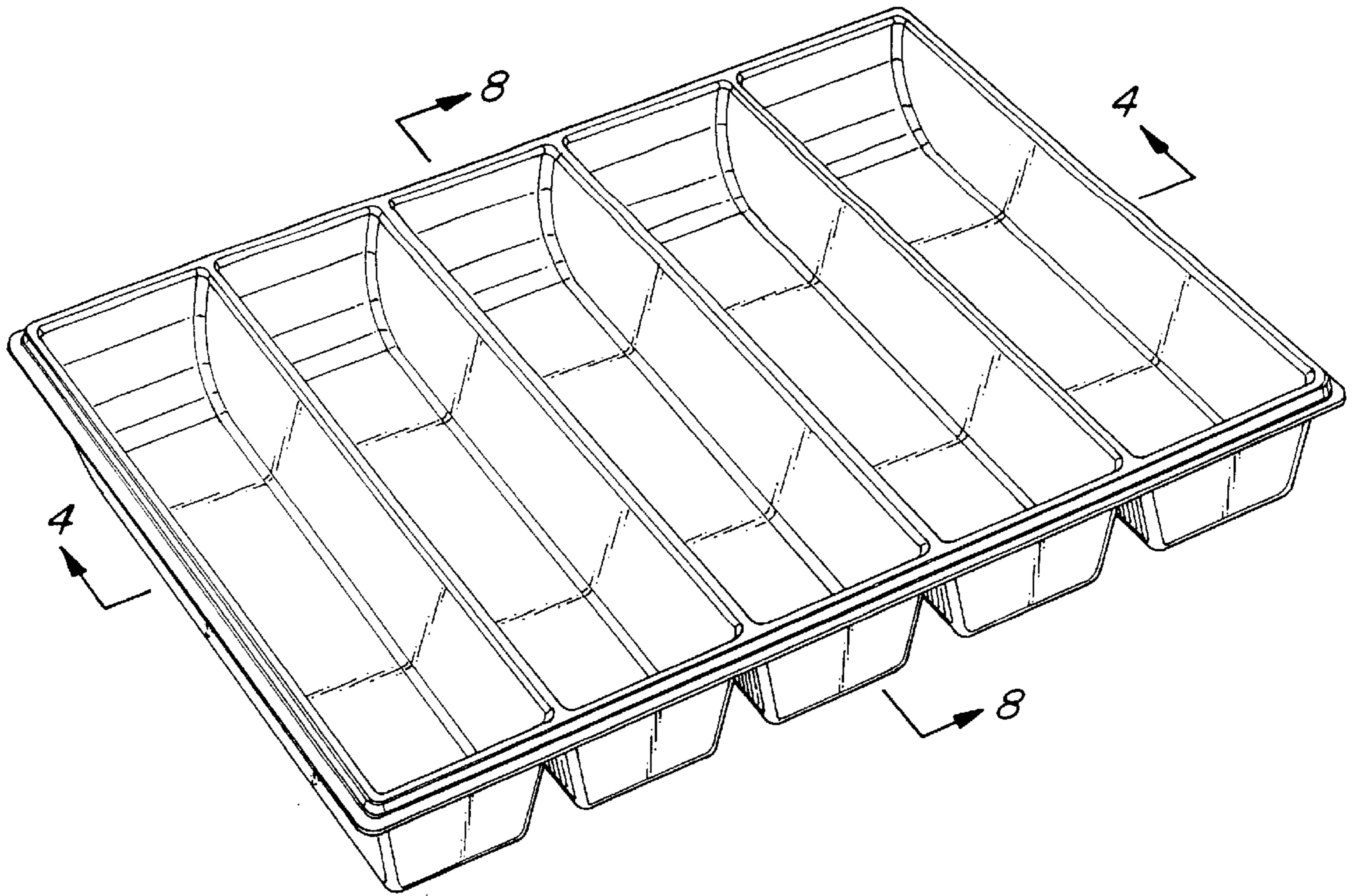


FIG. 1

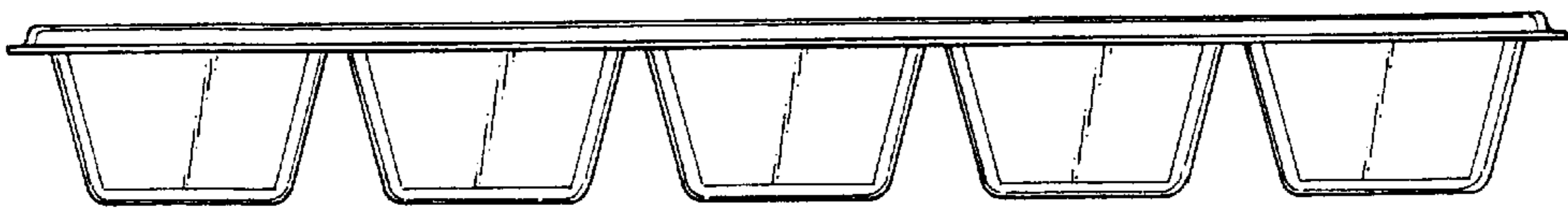


FIG. 2

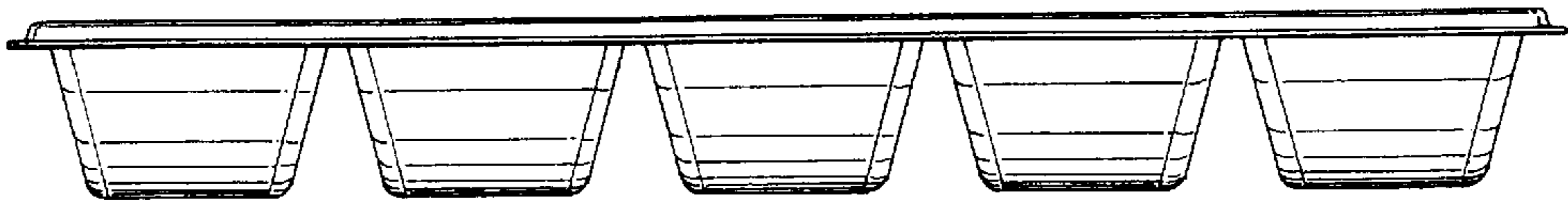


FIG. 3

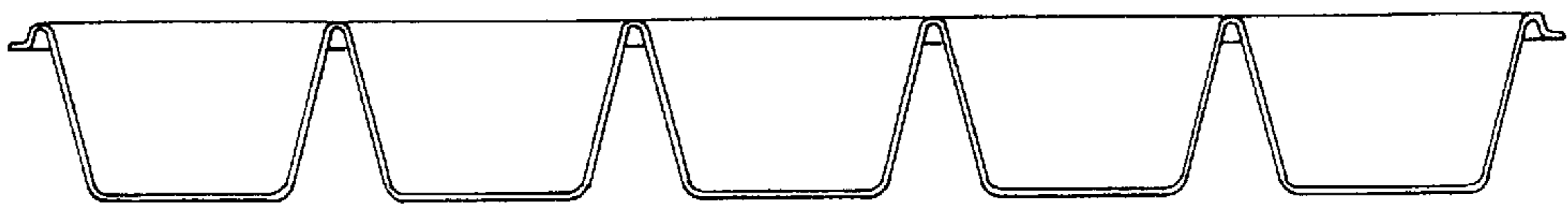


FIG. 4

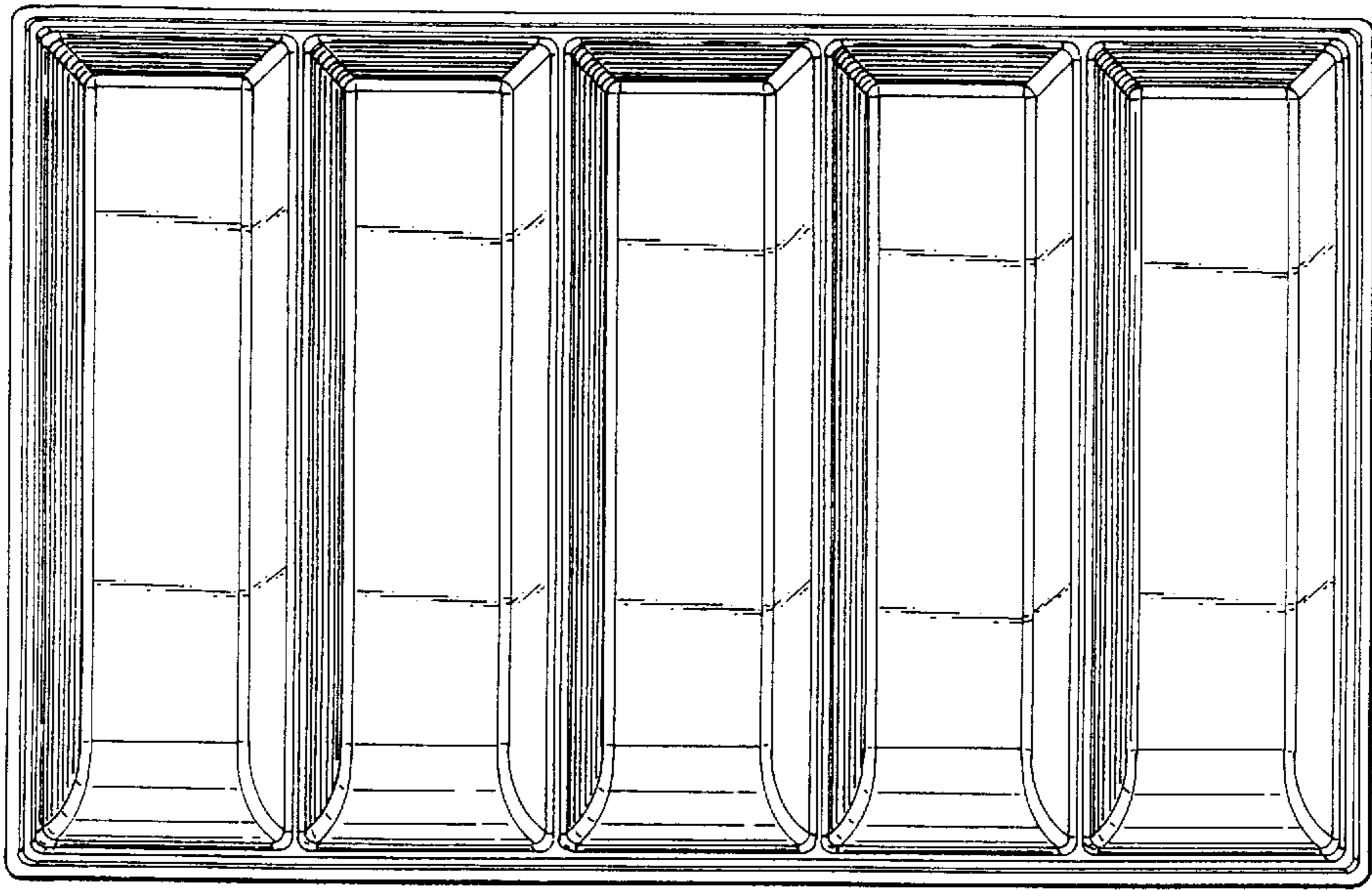


FIG. 5

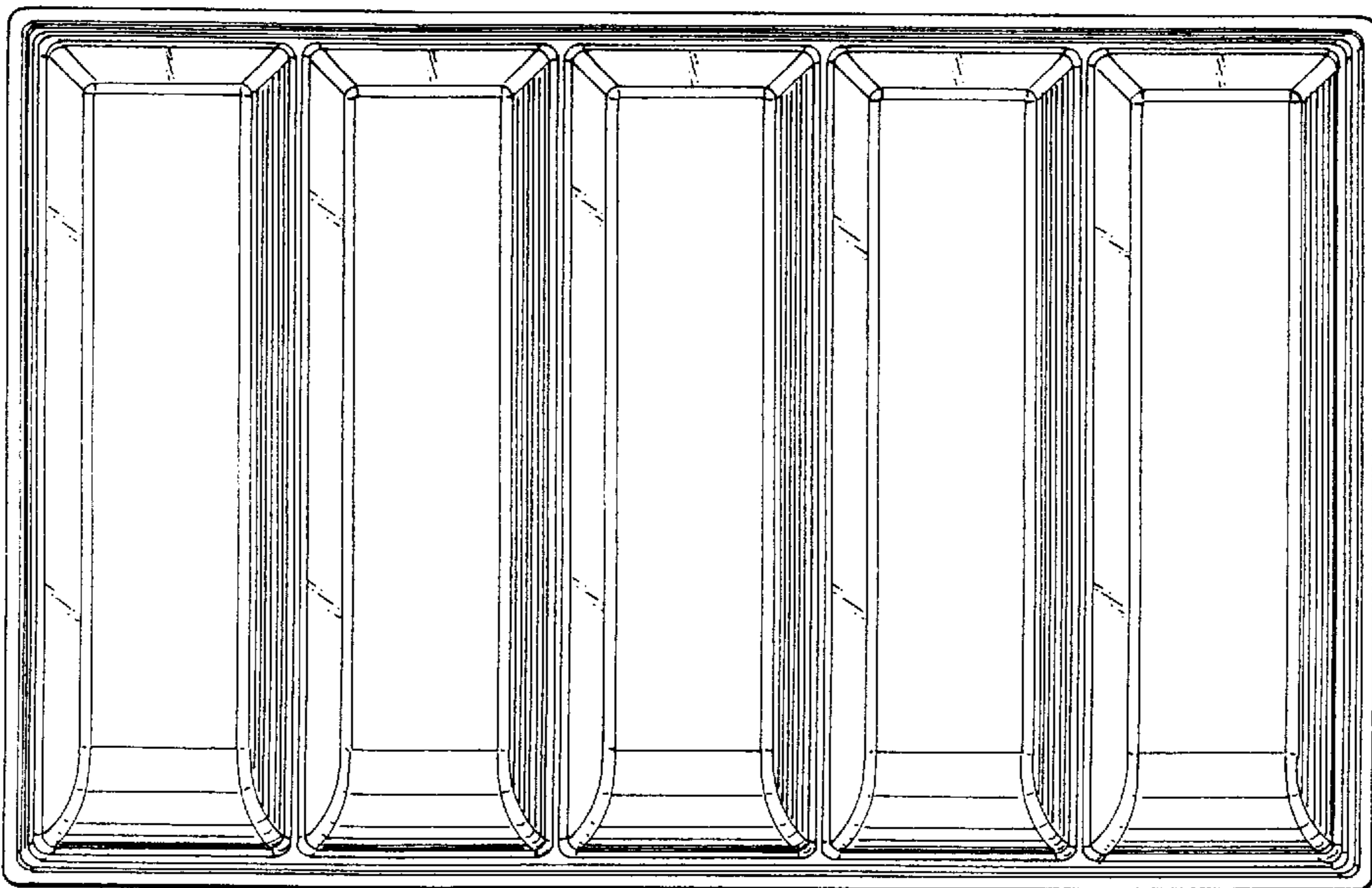


FIG. 6

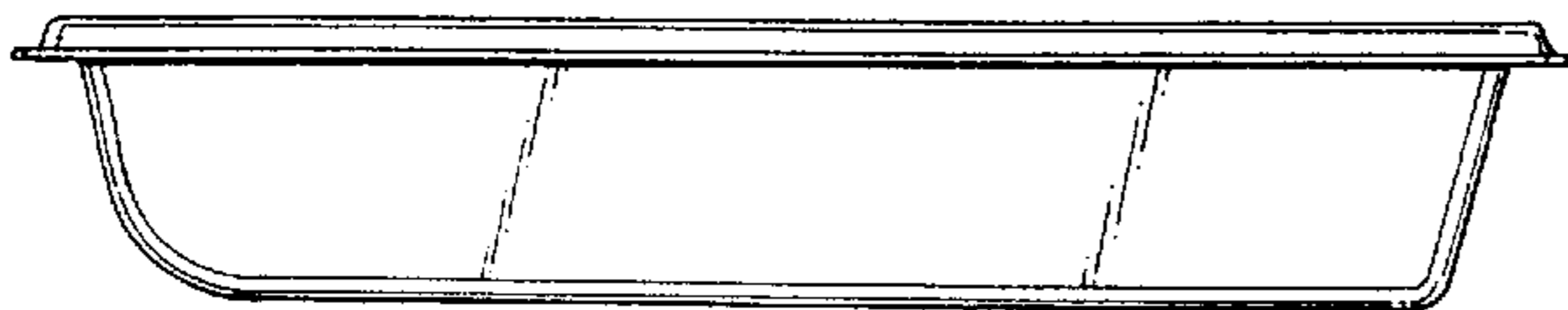


FIG. 7

FIG. 8

