



US00D451673B1

(12) **United States Design Patent**  
**Nam**

(10) **Patent No.:** **US D451,673 S**

(45) **Date of Patent:** **\*\* Dec. 11, 2001**

(54) **ARTICLE CARRIER**

(76) **Inventor:** **Hyo C. Nam**, 9818 Arkansas St.,  
Bellflower, CA (US) 90706

(\*\*) **Term:** **14 Years**

(21) **Appl. No.:** **29/128,711**

(22) **Filed:** **Aug. 29, 2000**

(51) **LOC (7) Cl.** ..... **03-01**

(52) **U.S. Cl.** ..... **D3/282**

(58) **Field of Search** ..... D3/272, 273, 281,  
D3/282, 291, 294, 302, 905, 276; 206/349,  
372, 373, 314, 320; 190/110, 111, 115

(56) **References Cited**

**U.S. PATENT DOCUMENTS**

D. 221,317	*	7/1971	Muller	.....	D3/282
D. 222,012	*	9/1971	Harris	.....	D3/282
D. 226,741	*	4/1973	Yonce	.....	D3/282
D. 321,985	*	12/1991	Ward	.....	D3/282

D. 343,062	*	1/1994	Delage et al.	.....	D3/282
D. 355,849	*	2/1995	Trower et al.	.....	D9/424
D. 360,757	*	8/1995	Snetting et al.	.....	D3/276
D. 373,247	*	9/1996	Dickinson et al.	.....	D3/905

\* cited by examiner

*Primary Examiner*—Philip S. Hyder

(74) *Attorney, Agent, or Firm*—James E. Brunton

(57) **CLAIM**

The ornamental design for an article carrier, as shown.

**DESCRIPTION**

FIG. 1 is a perspective view of an article carrier showing my new design;

FIG. 2 is a front view thereof;

FIG. 3 is a top plan view thereof;

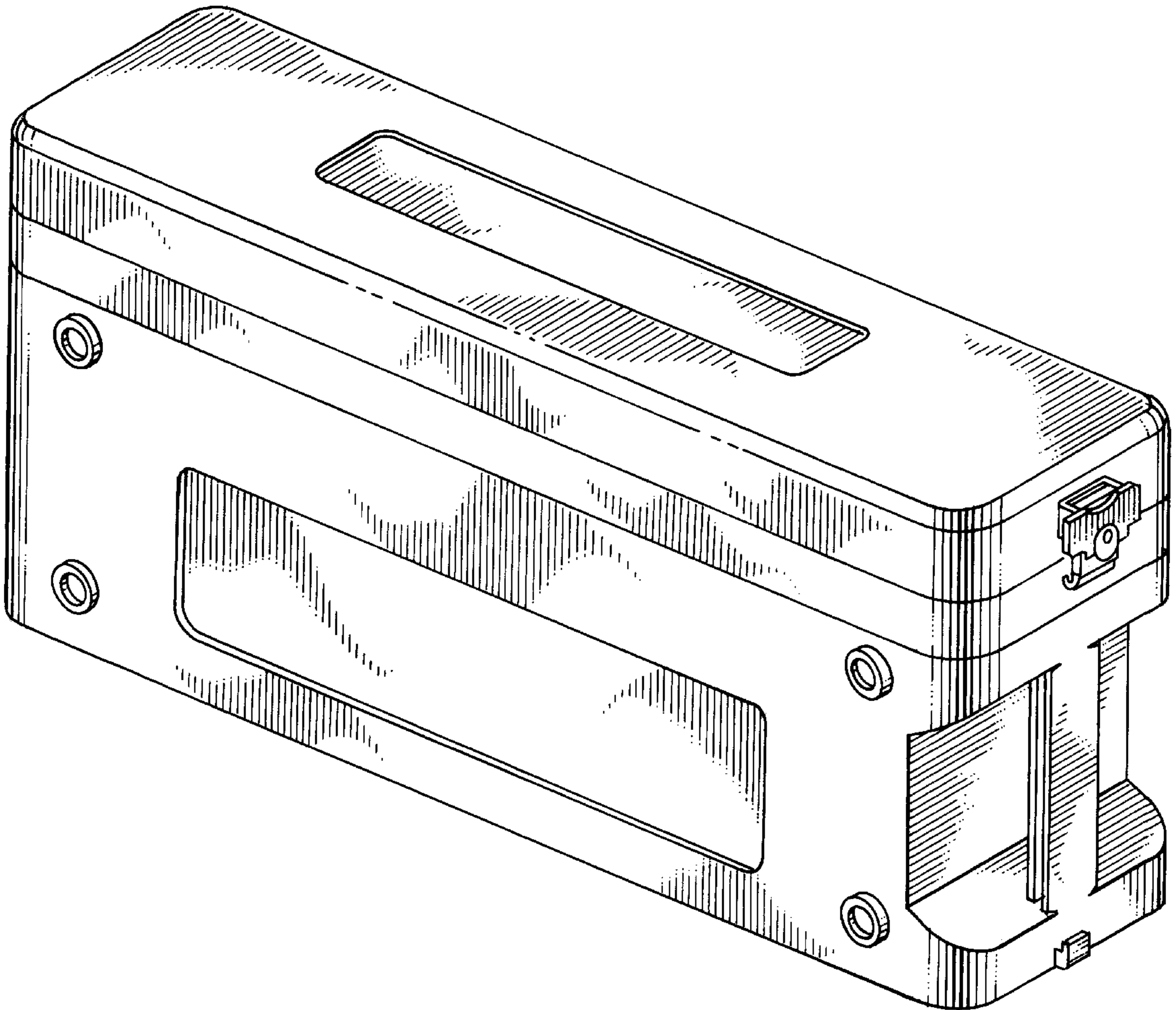
FIG. 4 is a right side view thereof;

FIG. 5 is a left side view thereof;

FIG. 6 is a rear view thereof; and,

FIG. 7 is a bottom plan view thereof.

**1 Claim, 4 Drawing Sheets**



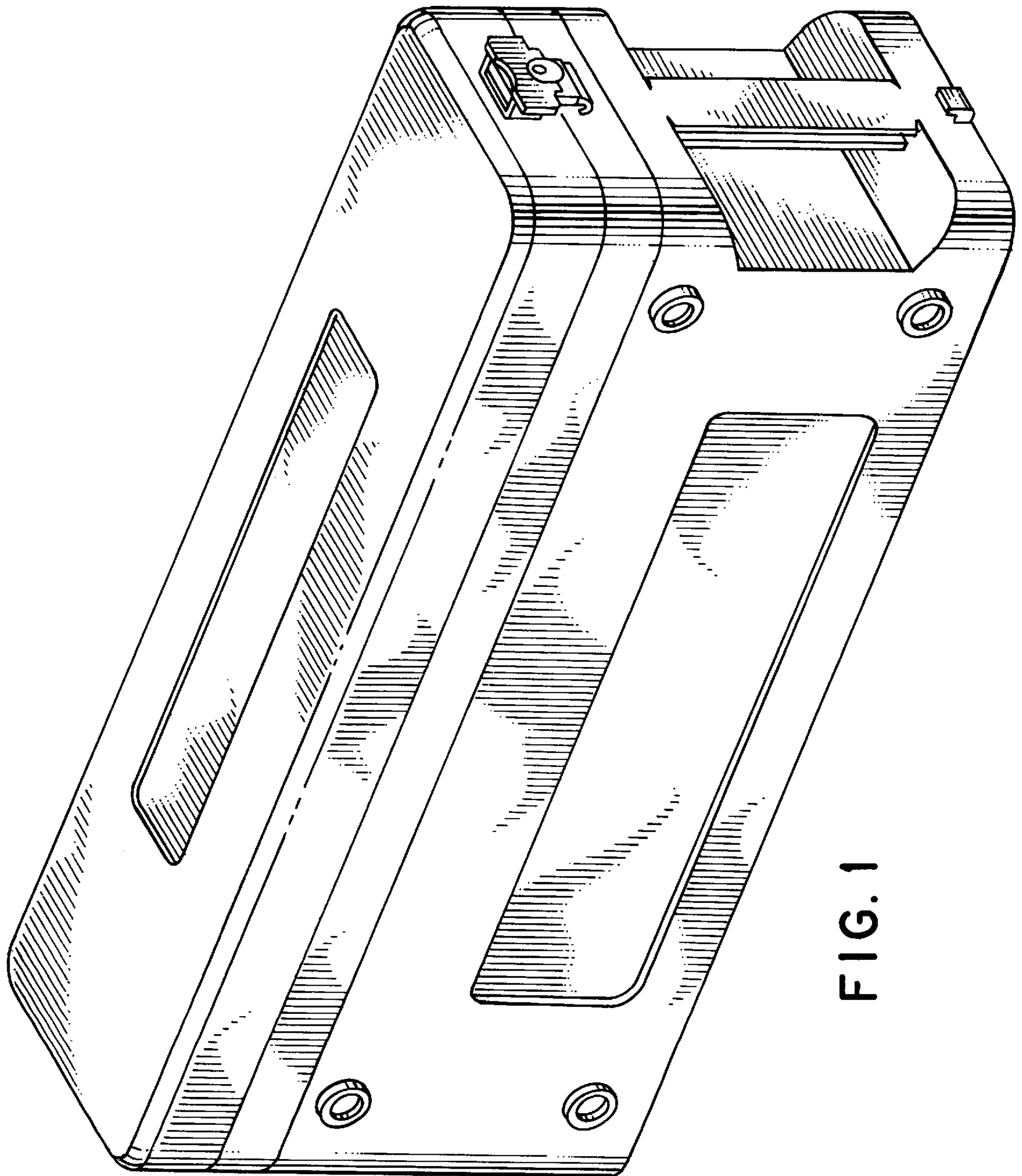


FIG. 1

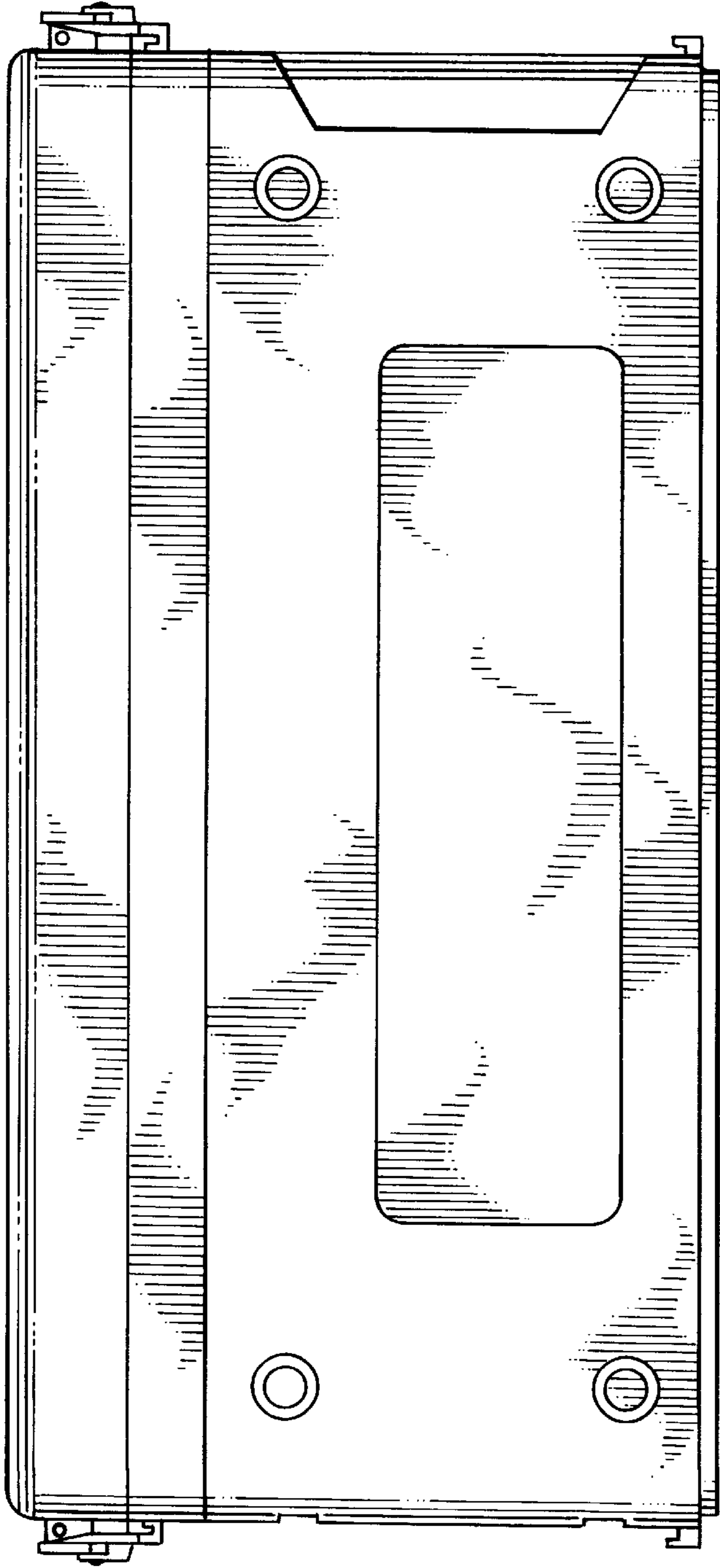


FIG. 2

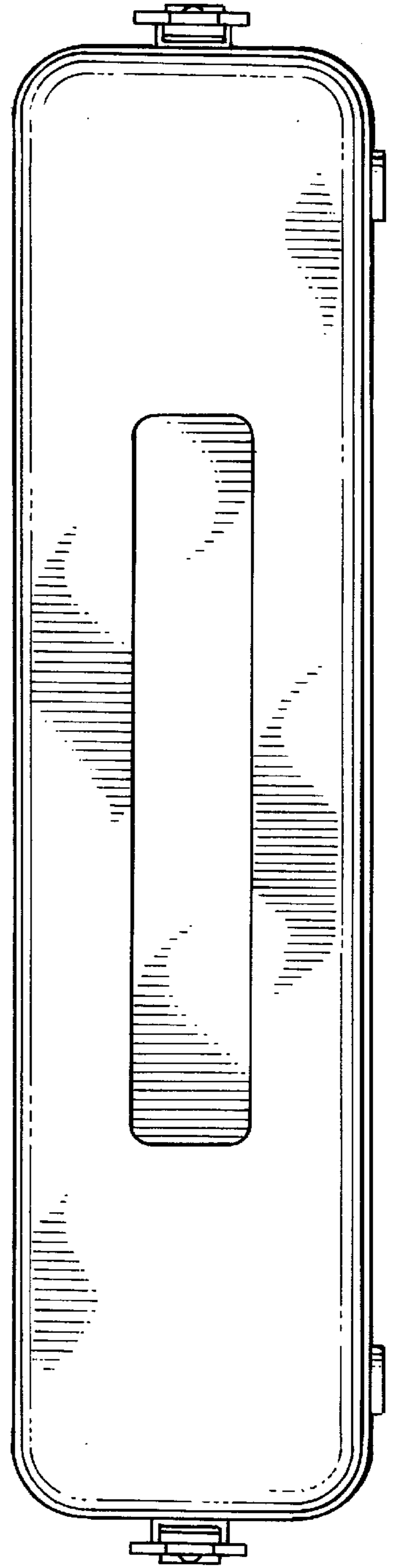


FIG. 3

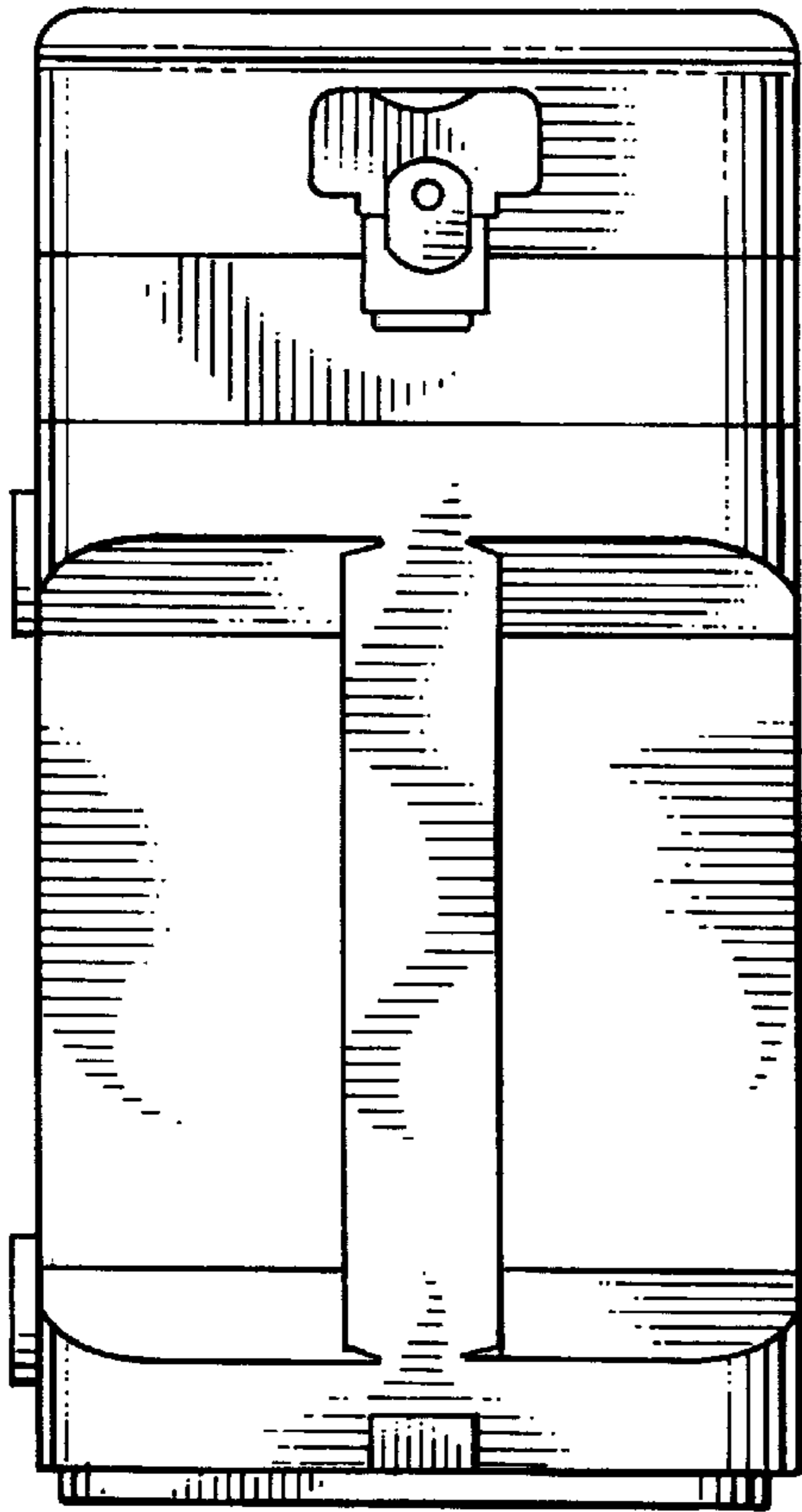


FIG. 4

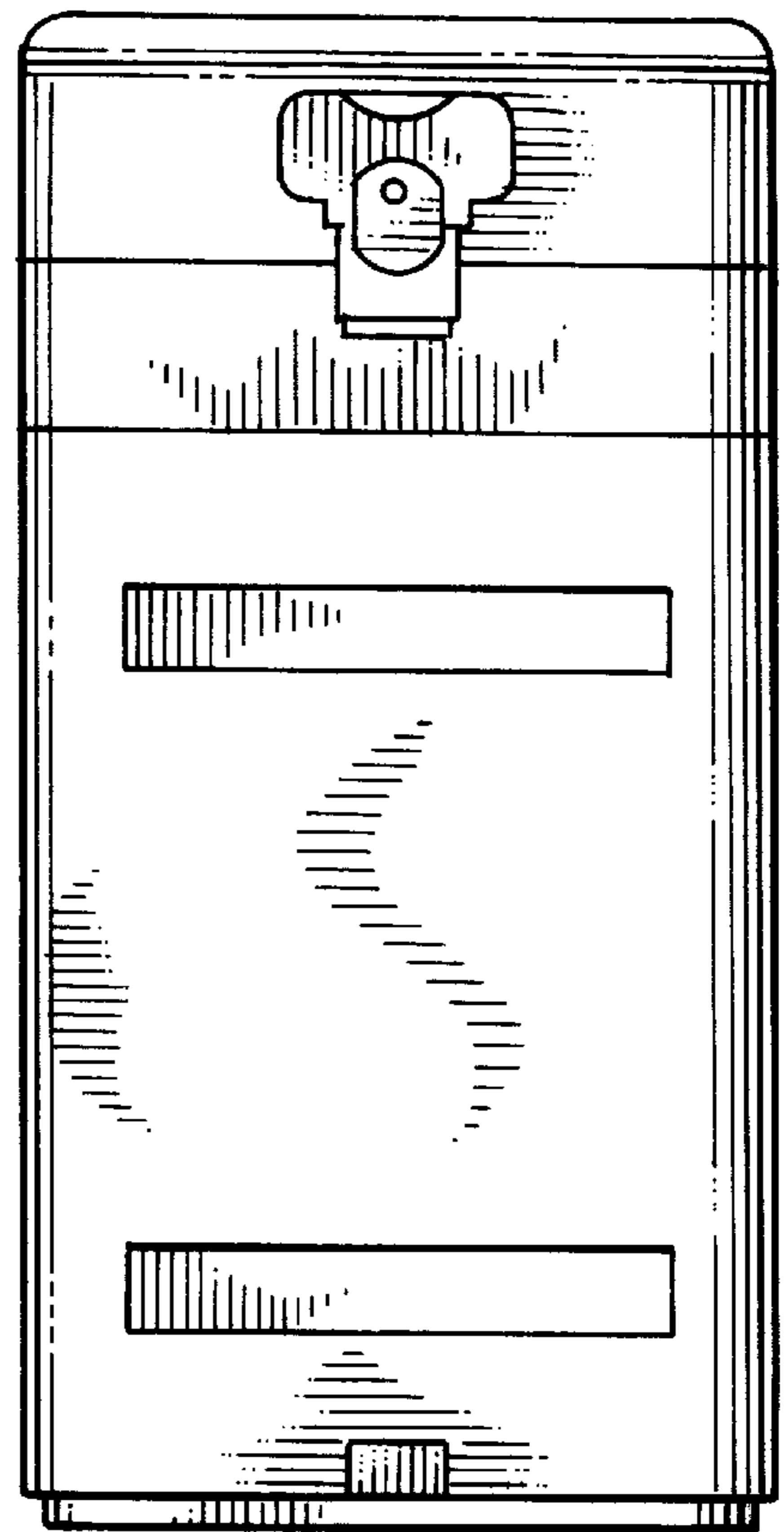


FIG. 5

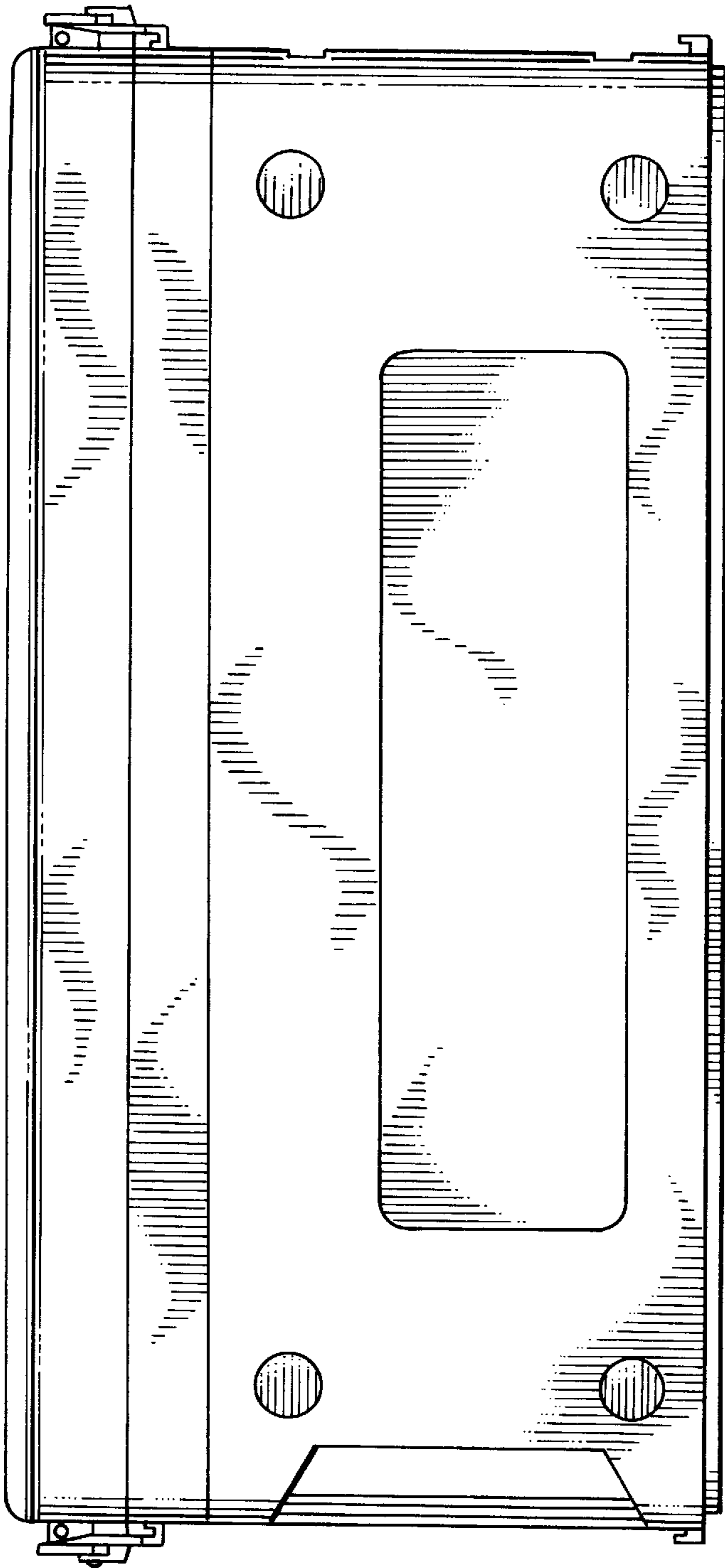


FIG. 6

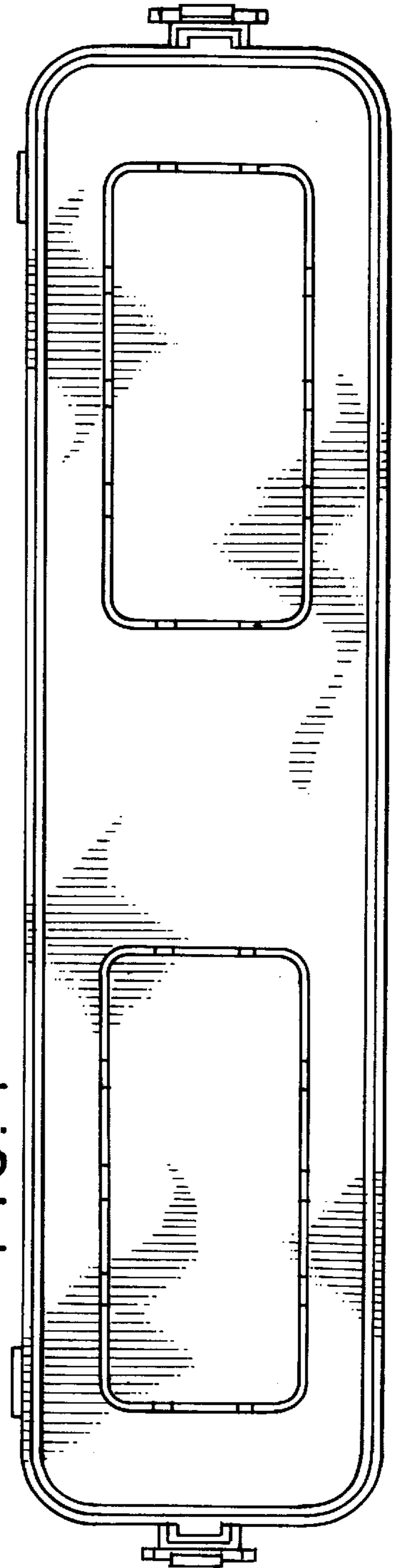


FIG. 7