



US00D451671B1

(12) **United States Design Patent**
Wolf

(10) **Patent No.:** **US D451,671 S**

(45) **Date of Patent:** **** Dec. 11, 2001**

(54) **OCTAGONAL JEWEL BOX WITH
REMOVABLE TRAVEL CASE**

2,046,133 * 6/1936 Rathbun .
6,045,202 * 4/2000 Simon .
6,234,340 * 5/2001 Bannister 206/581

(75) **Inventor:** **Simon Wolf, Malibu, CA (US)**

OTHER PUBLICATIONS

(73) **Assignee:** **Wolf Designs, Inc., Pacific Palisades,
CA (US)**

Hong Kong Enterprise, Oct., 1996, p. 1234, jewelry boxes.*

(**) **Term:** **14 Years**

* cited by examiner

(21) **Appl. No.:** **29/139,052**

Primary Examiner—Lucy Lieberman

(22) **Filed:** **Mar. 22, 2001**

(74) *Attorney, Agent, or Firm*—Cislo & Thomas LLP

(51) **LOC (7) Cl.** **03-01**

(57) **CLAIM**

(52) **U.S. Cl.** **D3/275; D3/284; D3/291;
D3/903**

The ornamental design for an octagonal jewel box with
removable travel case, as shown and described.

(58) **Field of Search** D3/903, 291, 294–297,
D3/20, 201, 205, 203, 273–276, 281–286,
302, 901, 301; 190/110, 102, 109, 111;
206/457, 6.1, 581, 823, 235

DESCRIPTION

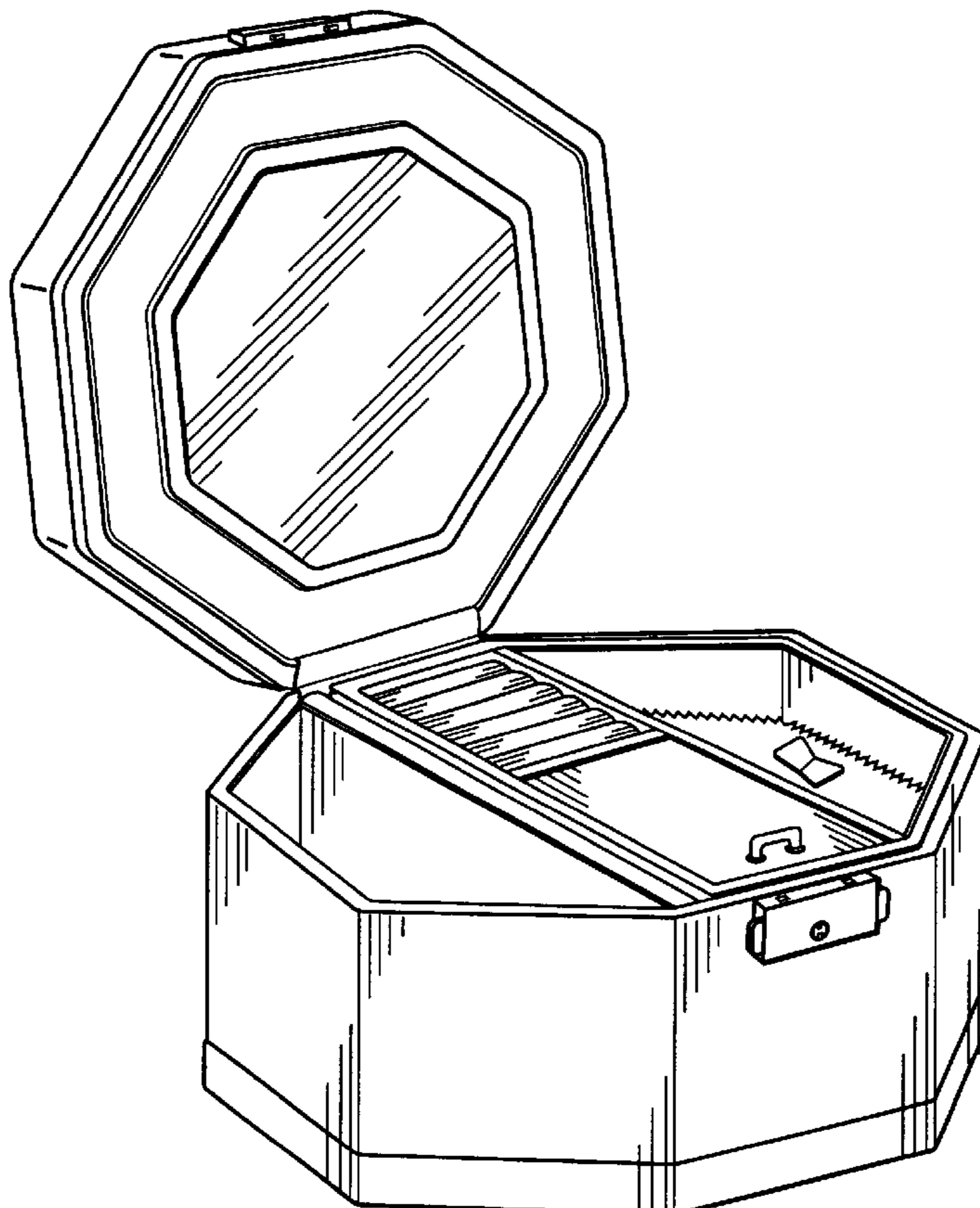
(56) **References Cited**

U.S. PATENT DOCUMENTS

- D. 218,590 * 9/1970 Pettis D3/20
- D. 335,219 * 5/1993 Vogt et al. D3/291
- D. 346,065 * 4/1994 Rooks D3/20
- D. 361,429 * 8/1995 Mohundro D3/294
- D. 417,783 * 12/1999 Wolf D3/291

FIG. 1 is a front perspective view of my octagonal jewel box
with removable travel case;
FIG. 2 is a view similar to FIG. 1, but illustrating the article
in the open position;
FIG. 3 is a front view thereof;
FIG. 4 is a rear view thereof;
FIG. 5 is a left side elevational view thereof;
FIG. 6 is a right side elevational view thereof;
FIG. 7 is a top view thereof; and,
FIG. 8 is a bottom view thereof.

1 Claim, 3 Drawing Sheets



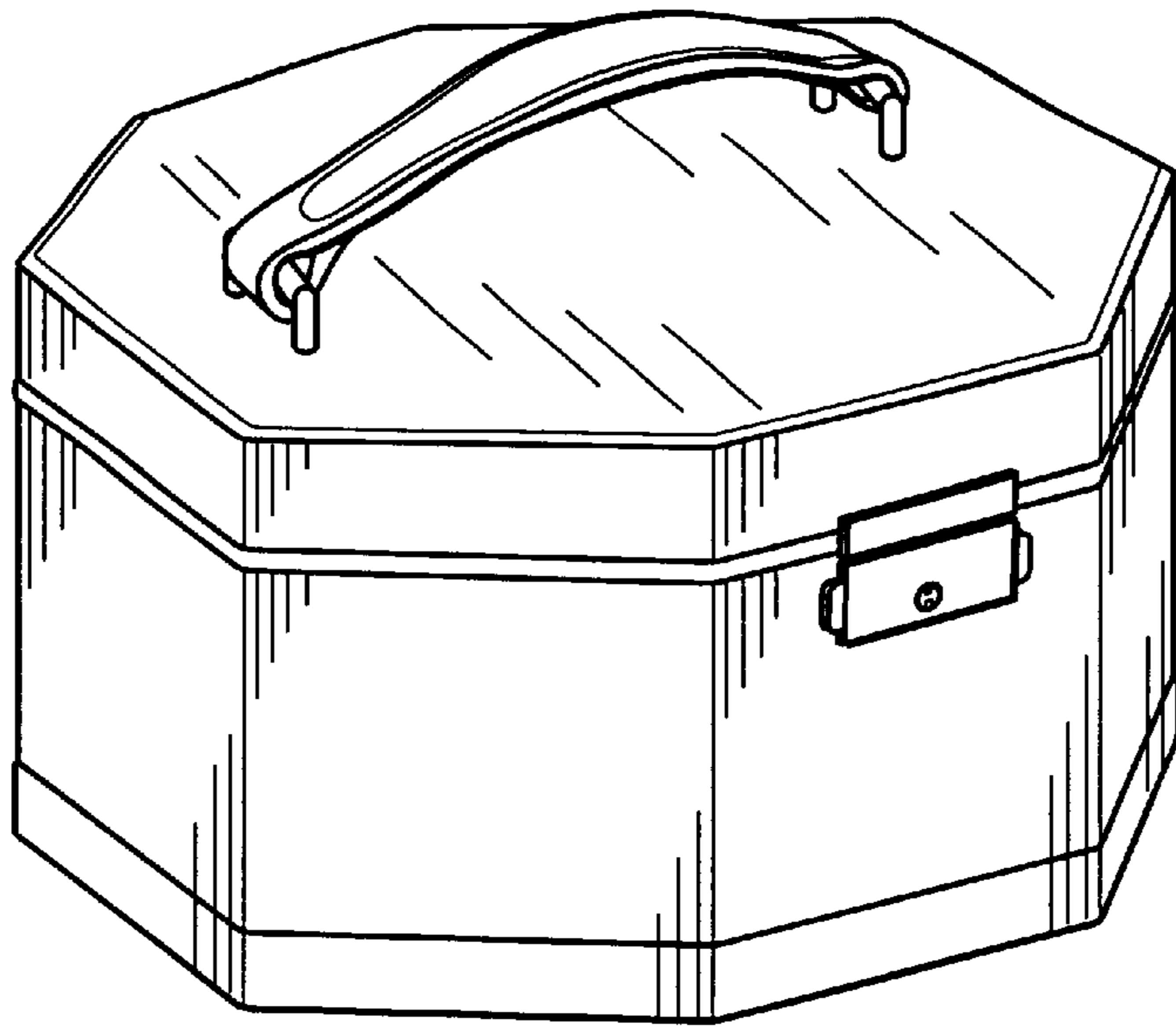


FIG. 1

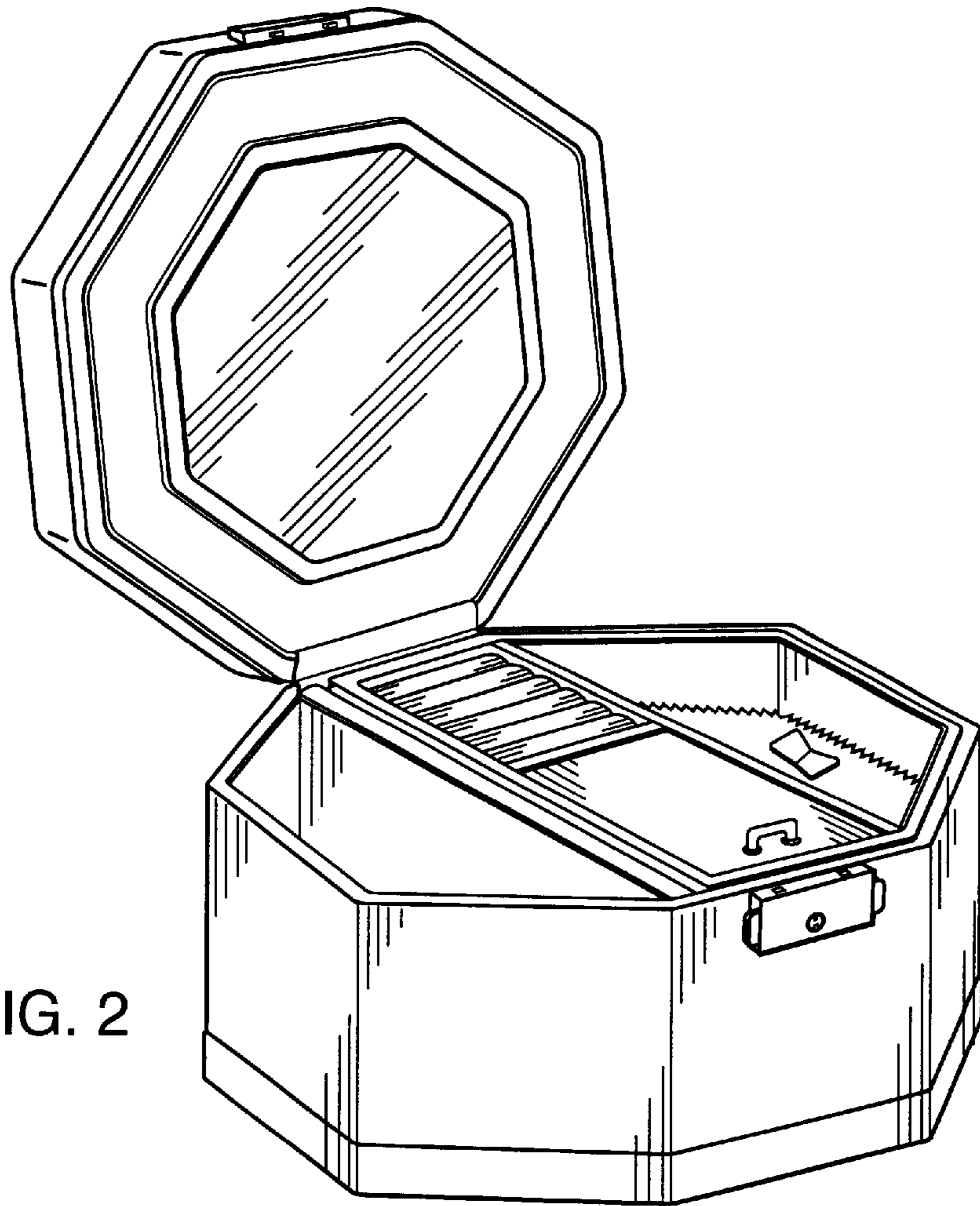


FIG. 2

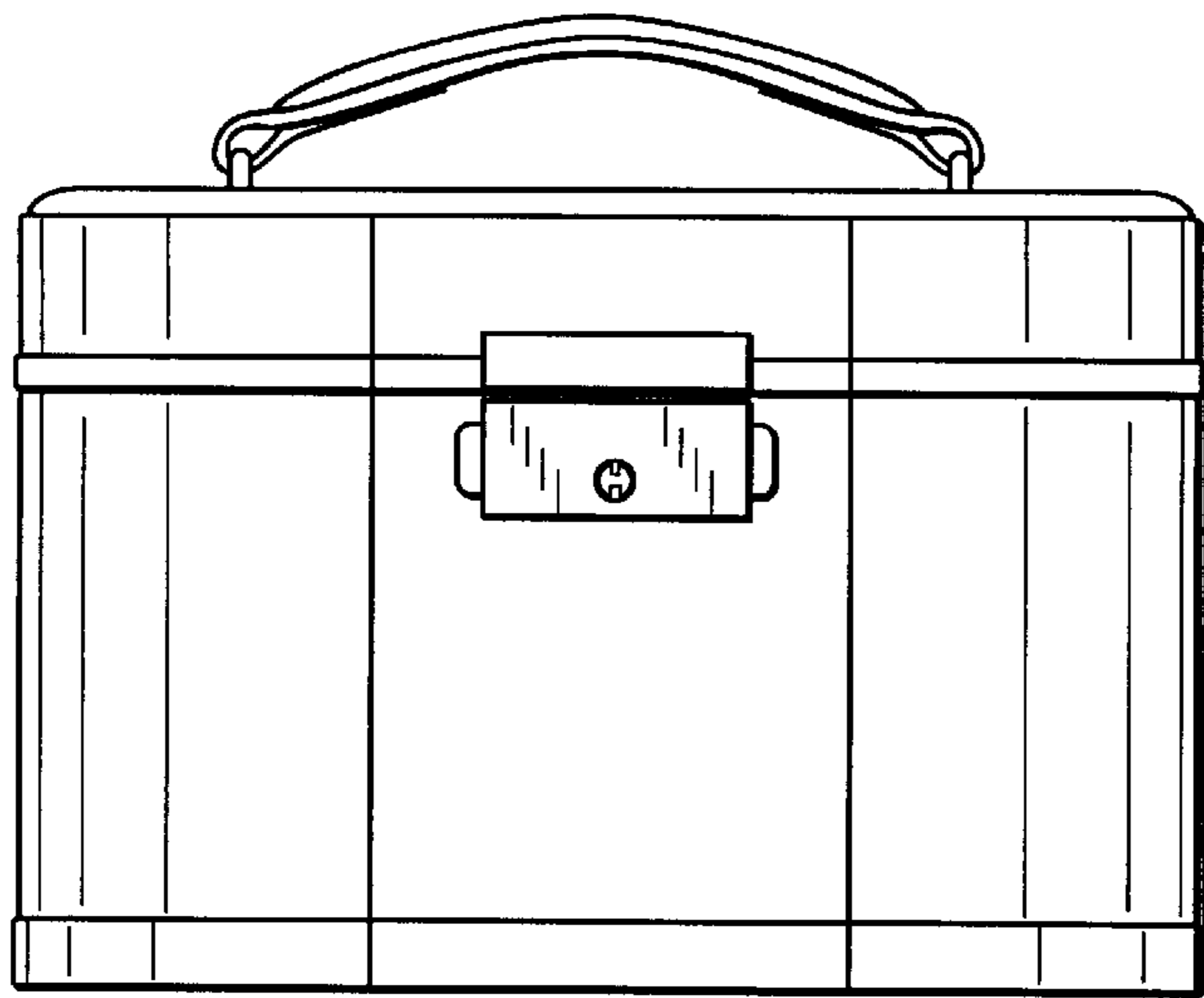


FIG. 3

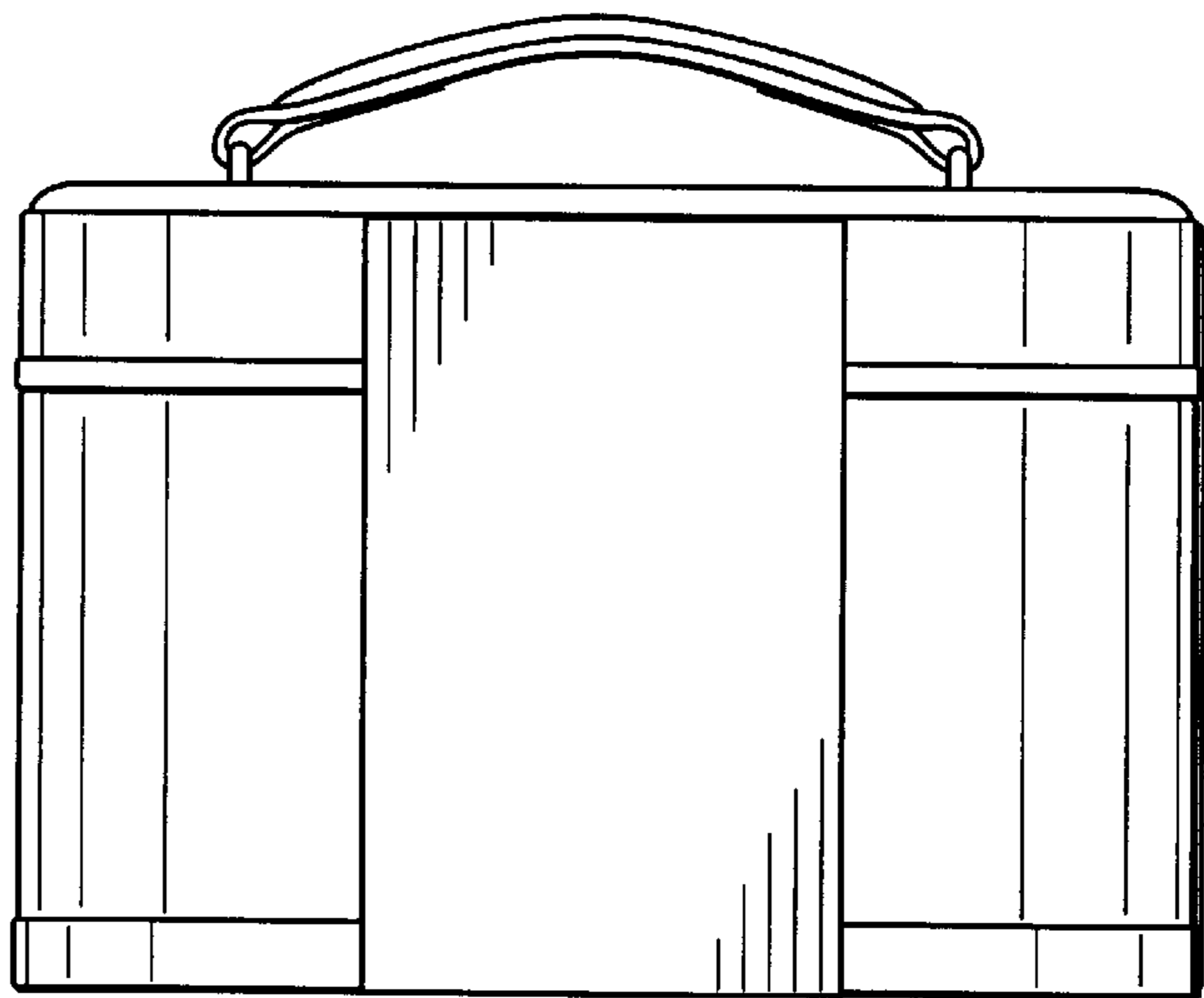


FIG. 4

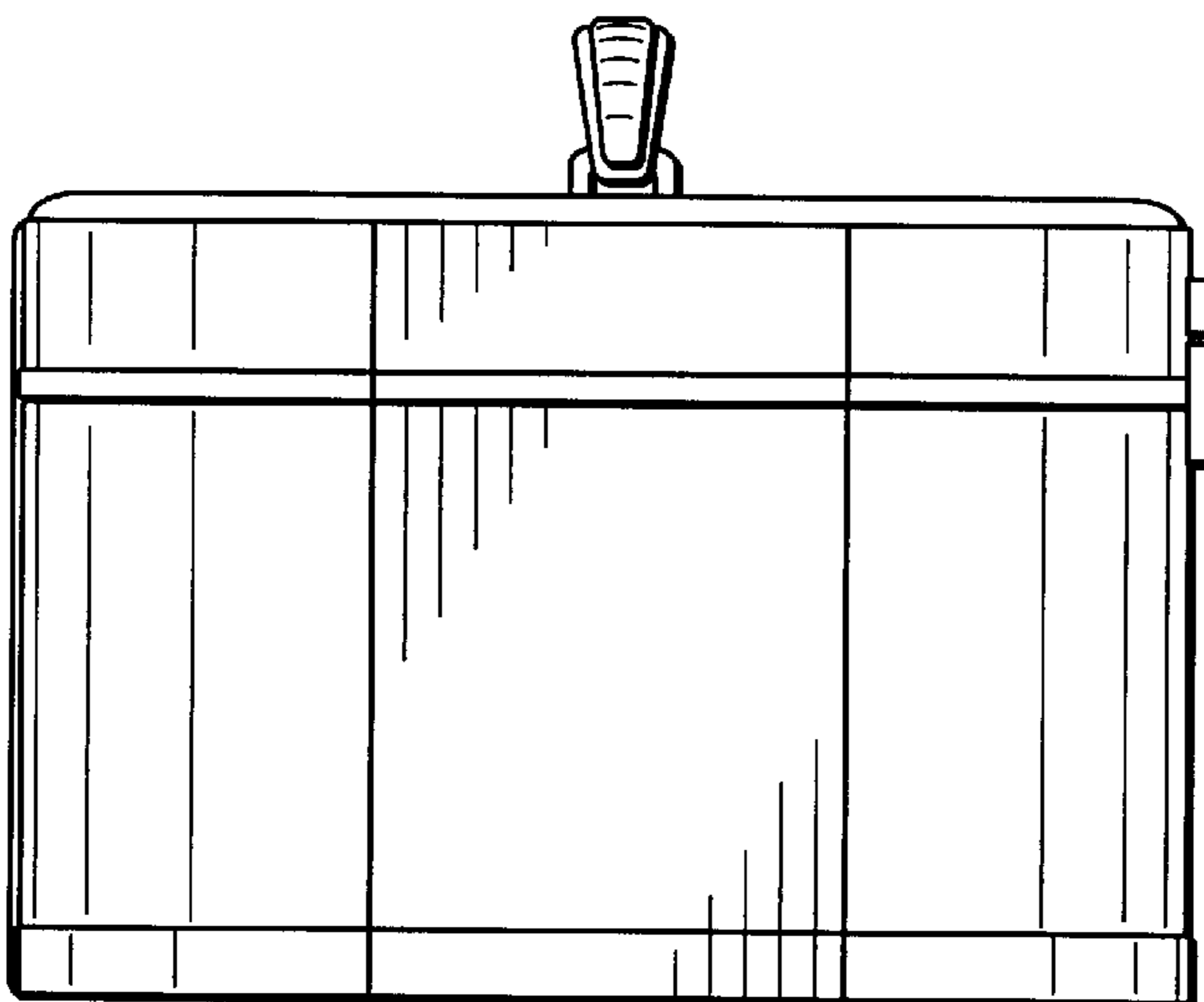


FIG. 5

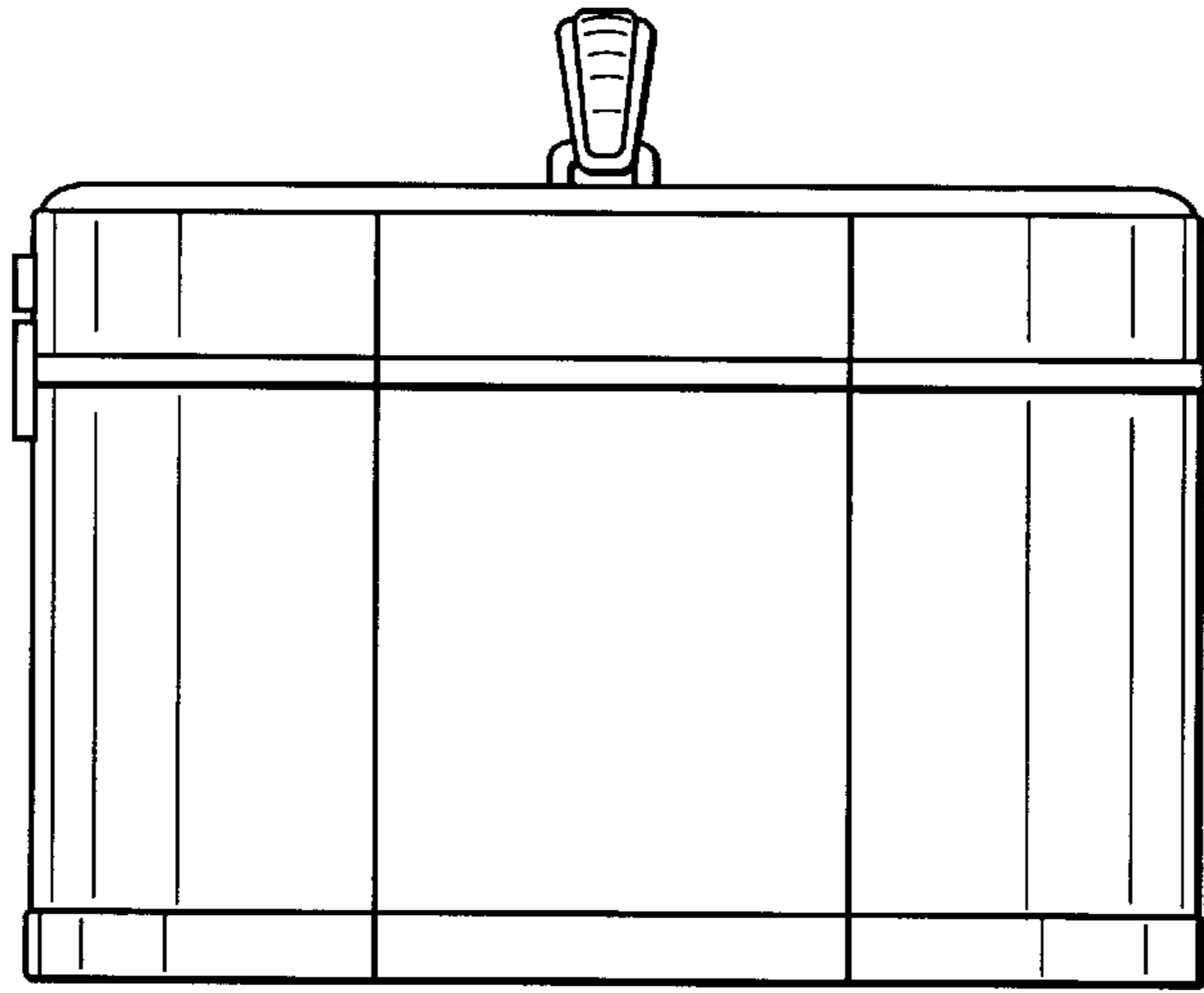


FIG. 6

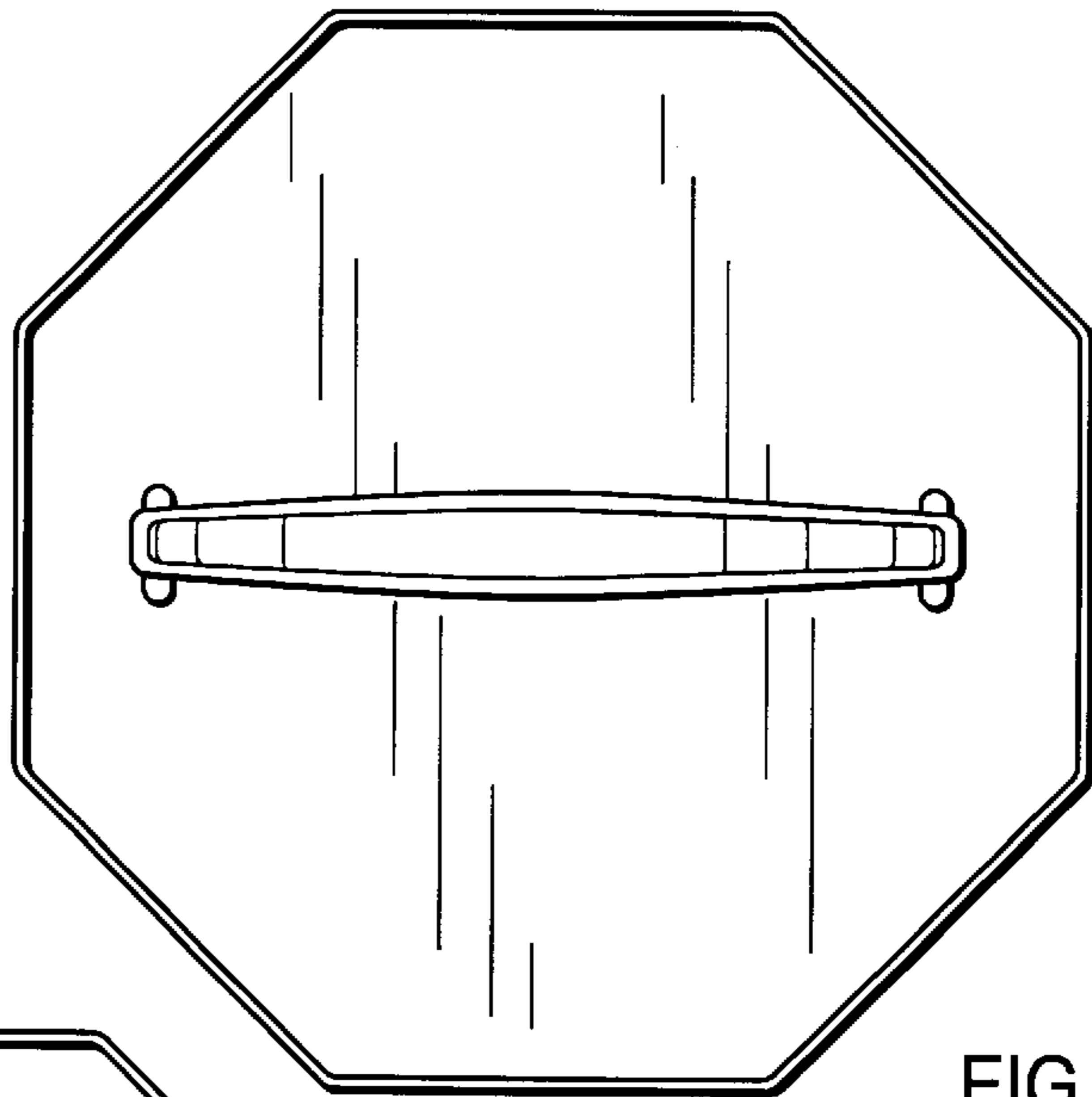


FIG. 7

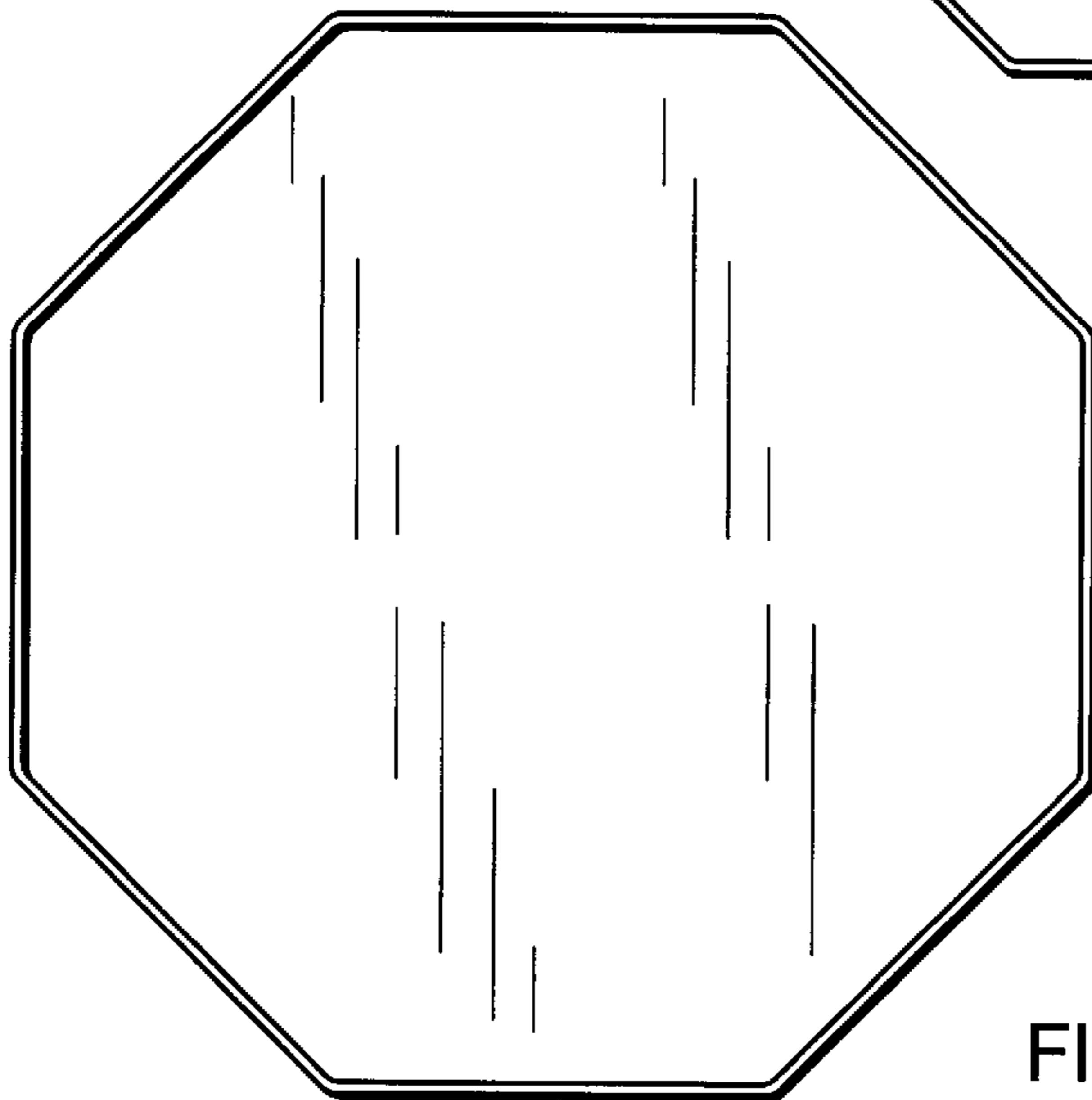


FIG. 8