



US00D451668B1

(12) **United States Design Patent**
Lewis

(10) **Patent No.:** **US D451,668 S**

(45) **Date of Patent:** **** Dec. 11, 2001**

(54) **MULTI-POCKETED PURSE**

(76) Inventor: **Benny Lewis**, 222 E. 137th St., Los Angeles, CA (US) 90061

(**) Term: **14 Years**

(21) Appl. No.: **29/131,438**

(22) Filed: **Oct. 23, 2000**

(51) **LOC (7) Cl.** **03-01**

(52) **U.S. Cl.** **D3/243; D3/226**

(58) **Field of Search** D3/226, 227, 230, D3/231, 232, 233, 234, 237, 238, 239, 240, 243, 244, 245, 246, 303, 318, 323, 324, 325, 326; 224/42.11, 264, 609, 610

(56) **References Cited**

U.S. PATENT DOCUMENTS

D. 138,449	*	8/1944	Basser et al.	D3/243
D. 218,548	*	9/1970	Elkins	D3/243
D. 367,356	*	2/1996	Brown, Jr.	D3/226
2,097,975	*	11/1937	Habegger	D3/226
4,303,187	*	12/1981	Berman	D3/230 X
4,923,105	*	5/1990	Snyder	224/264 X

* cited by examiner

Primary Examiner—Louis S. Zarfaz
Assistant Examiner—Monica A. Weingart
(74) *Attorney, Agent, or Firm*—Michael A. Painter

(57) **CLAIM**

The ornamental design for a multi-pocketed purse, as described and shown.

DESCRIPTION

FIG. 1 is a perspective view of a multi-pocketed purse illustrating my new design;
FIG. 2 is a front elevation view showing the flap in a closed position;
FIG. 3 is a front elevation view showing the flap in an open position;
FIG. 4 is a rear elevation view thereof;
FIG. 5 is a side elevation view thereof;
FIG. 6 is a bottom plan view thereof; and,
FIG. 7 is a top plan view thereof.
The strap is shown detached in FIGS. 2–7 for ease of illustration.

1 Claim, 2 Drawing Sheets

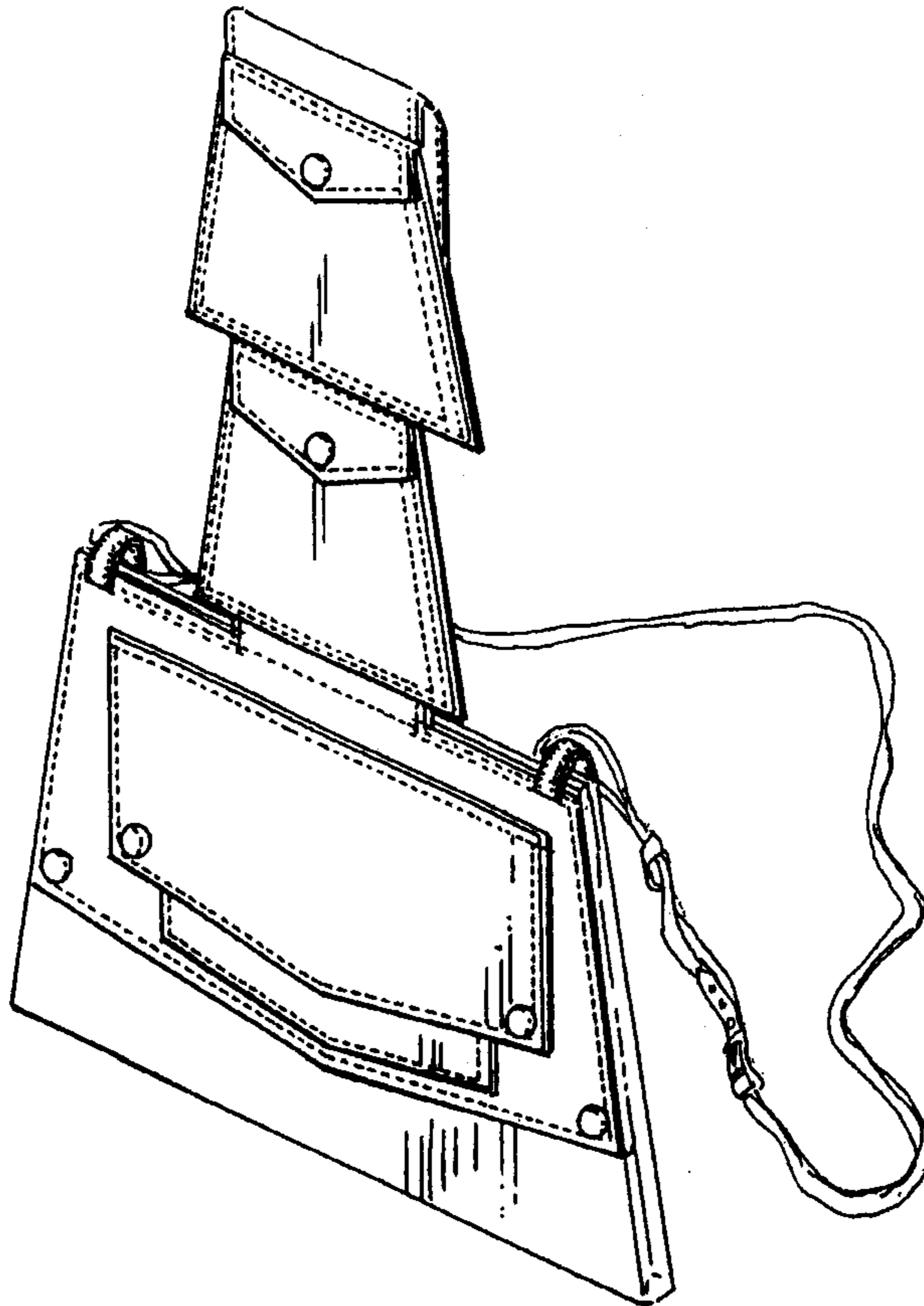


FIG. 1

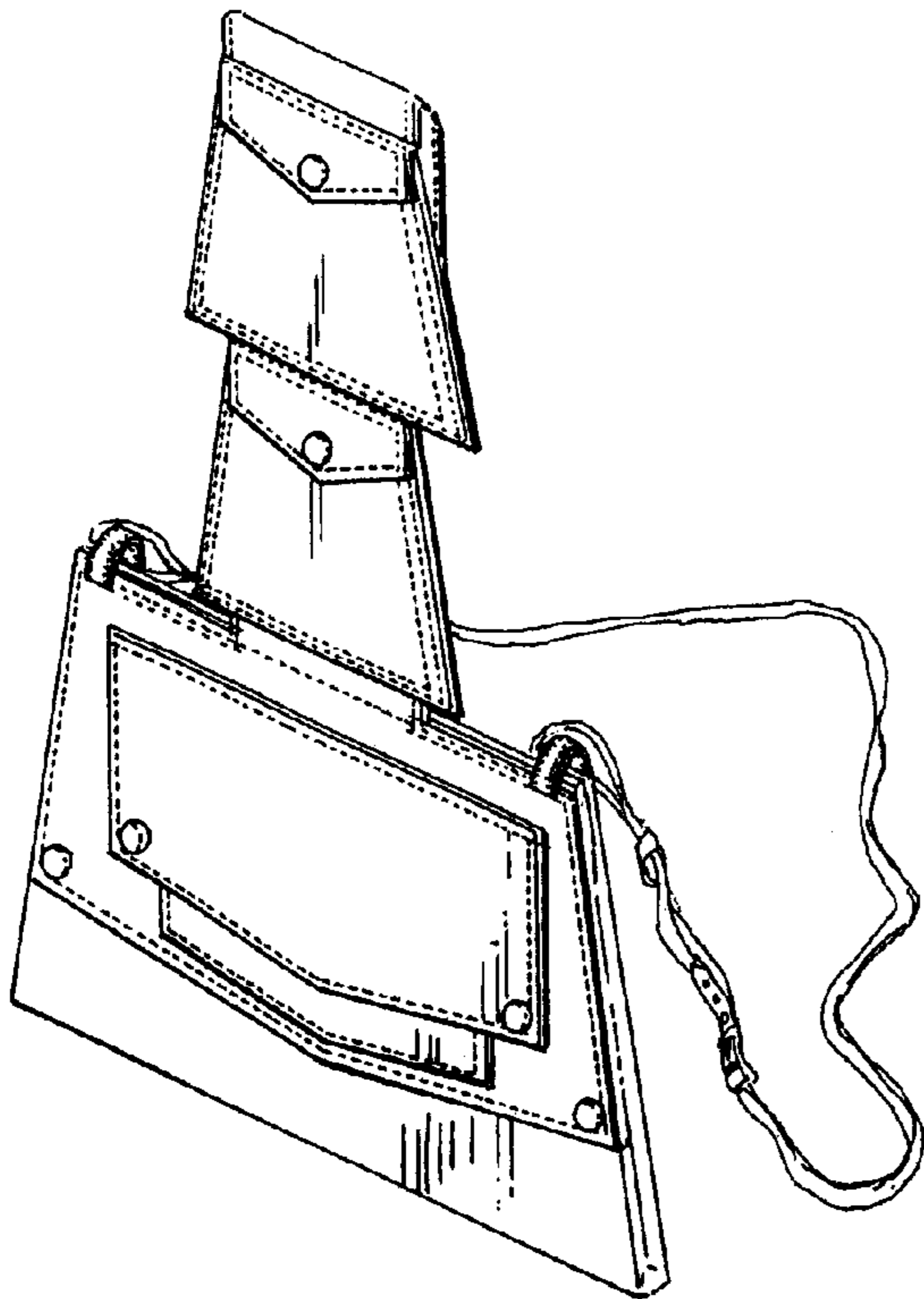


FIG. 2

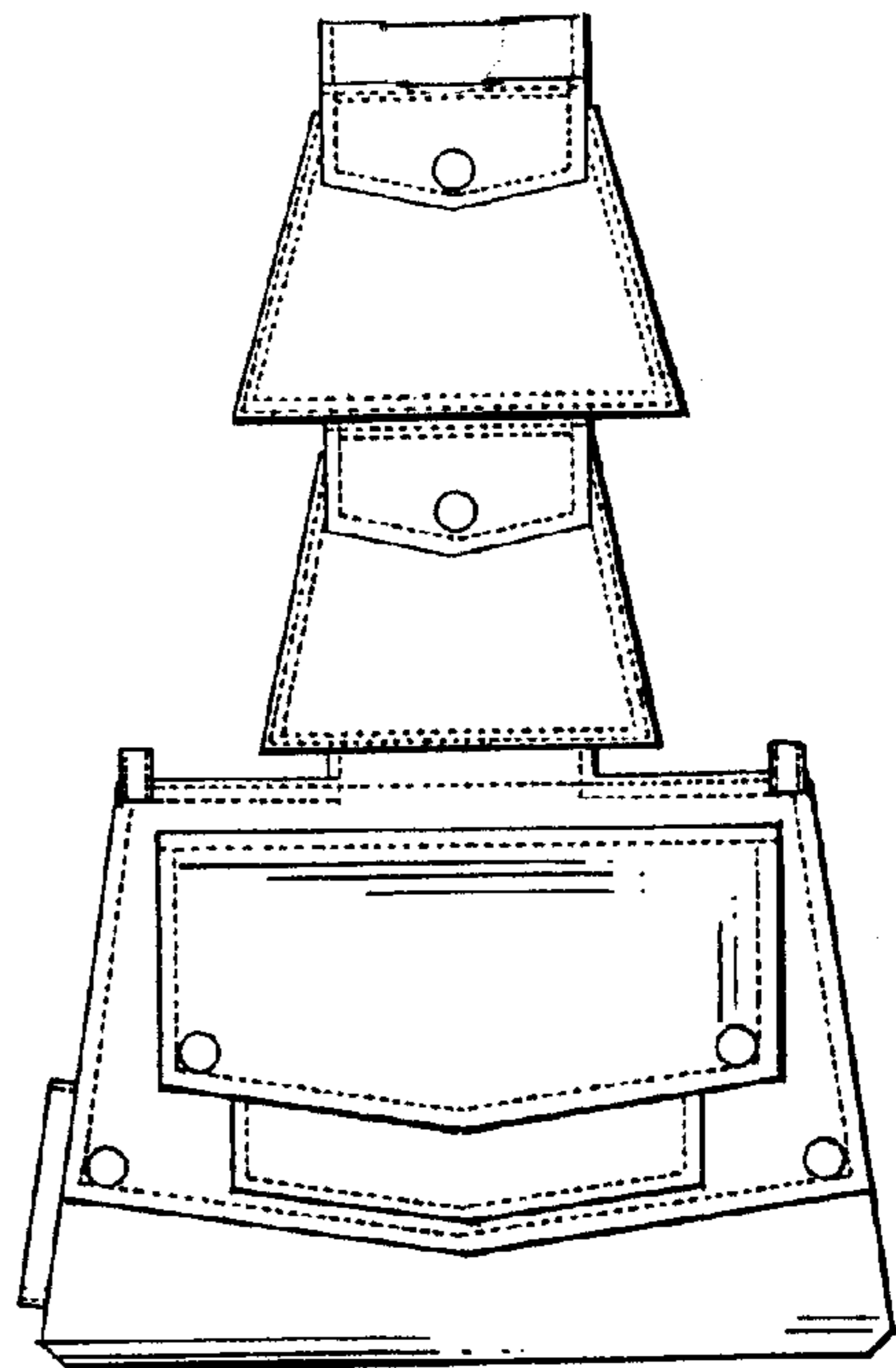


FIG. 3

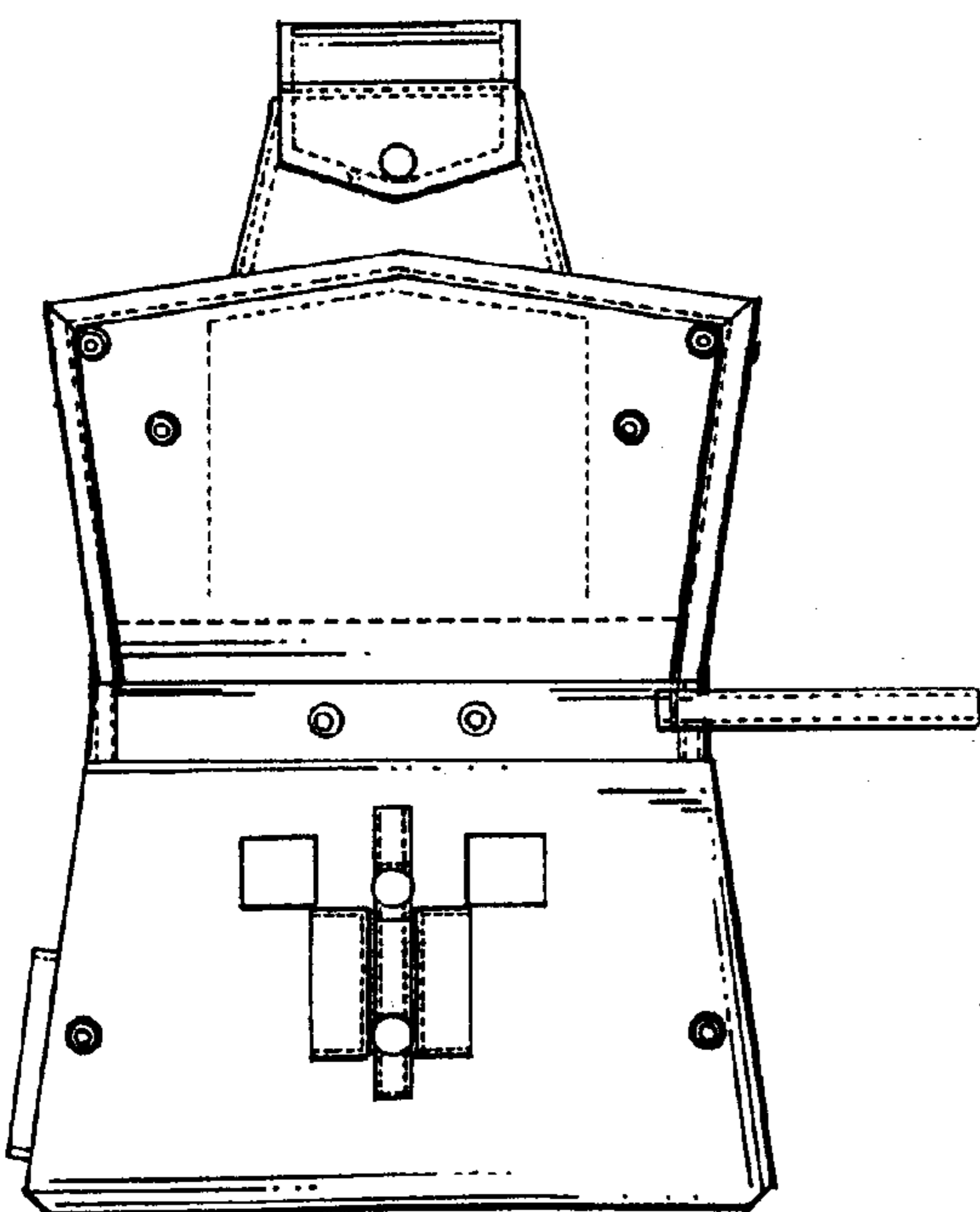
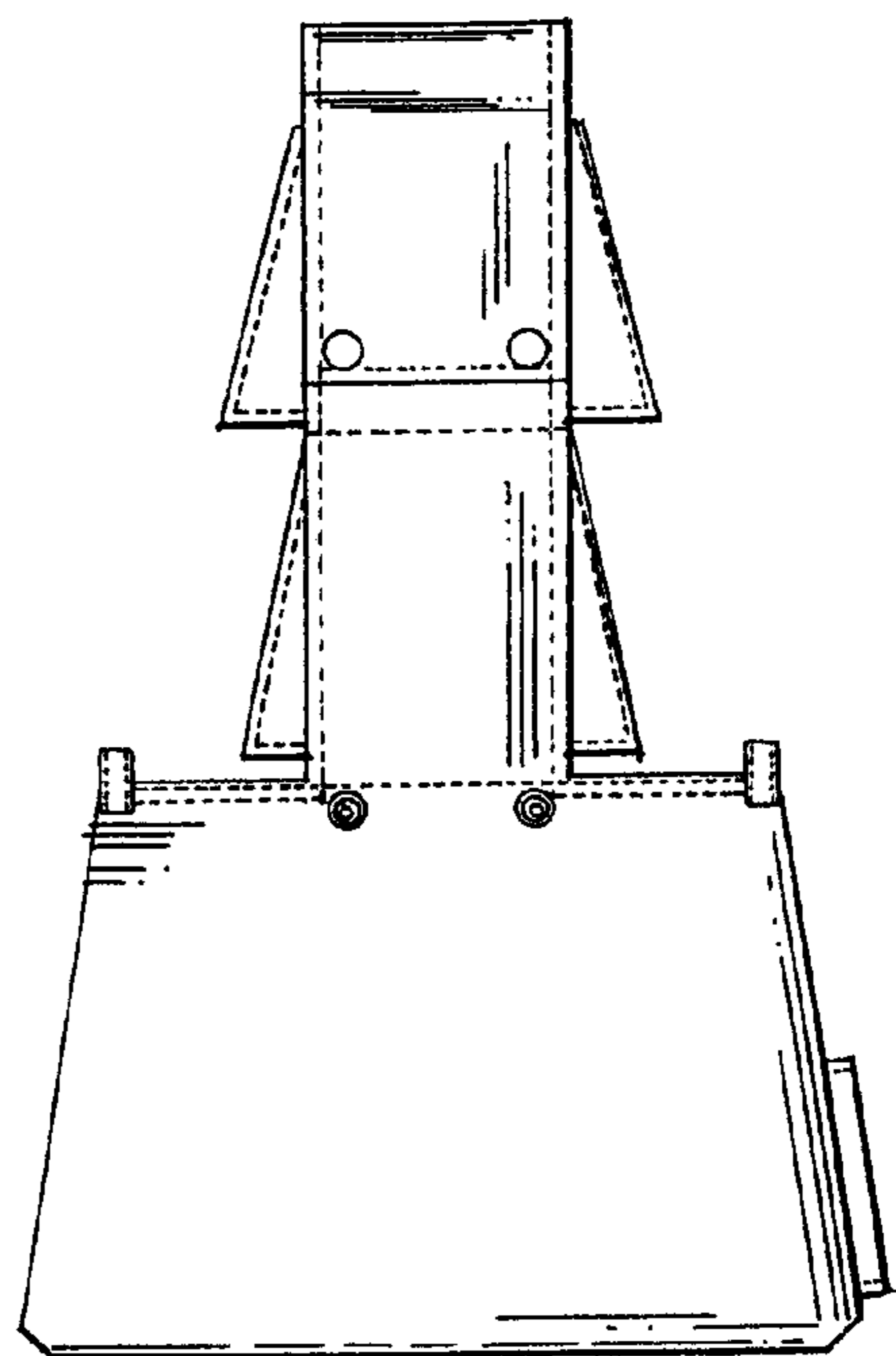


FIG. 4



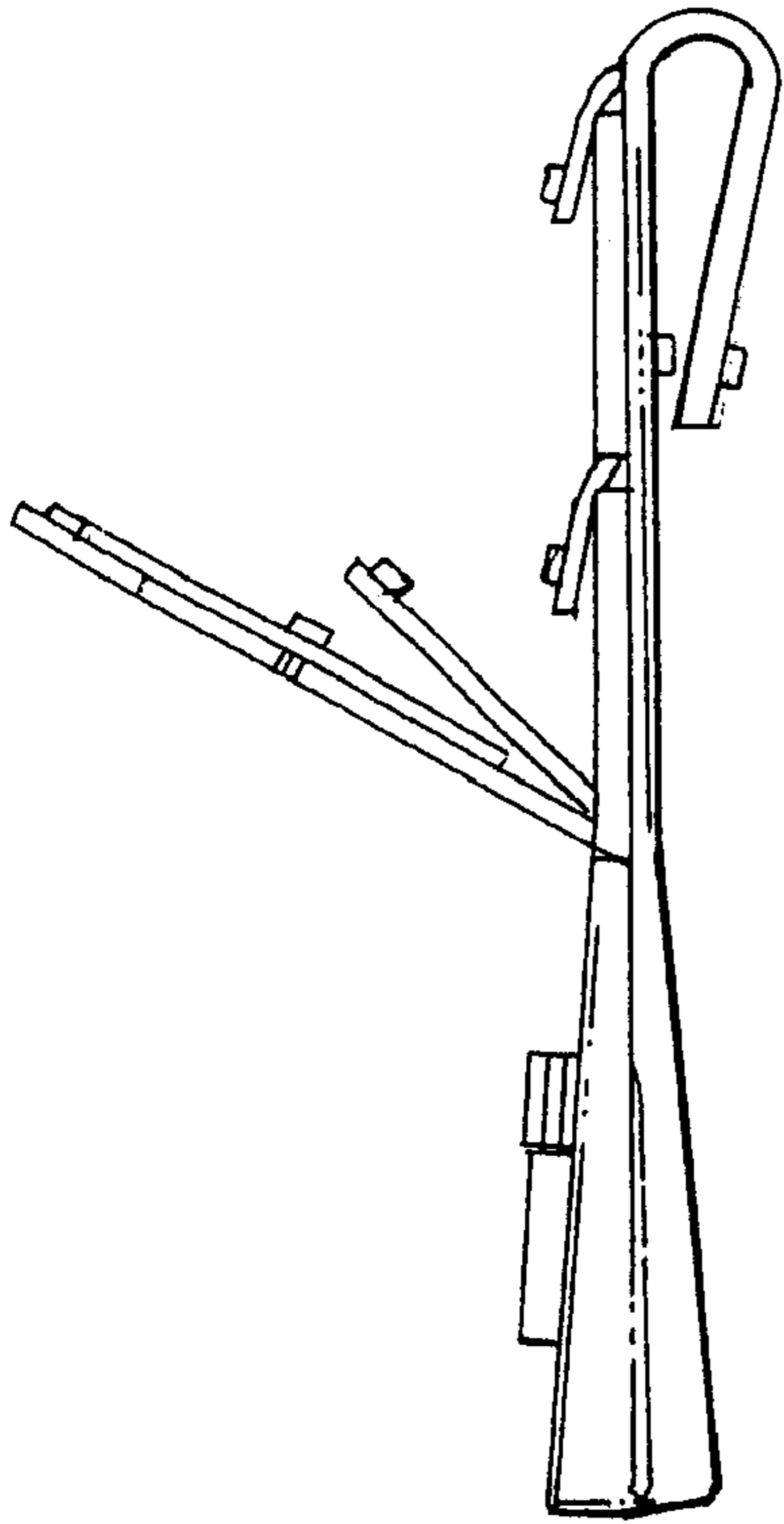


FIG. 5

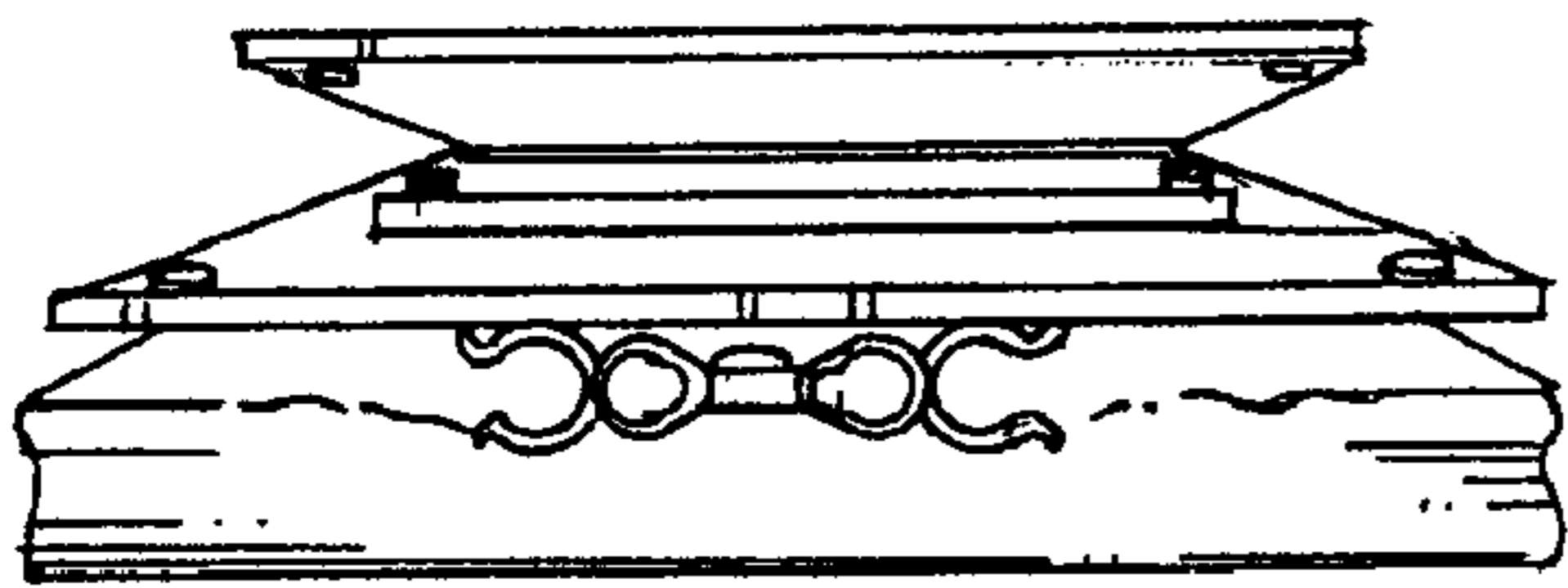


FIG. 6

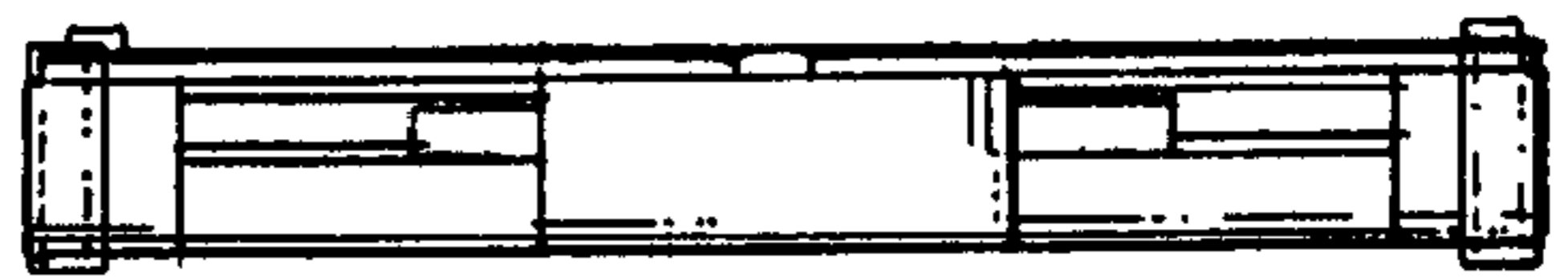


FIG. 7