



US00D451660B1

(12) **United States Design Patent**
Segerstrom et al.

(10) **Patent No.: US D451,660 S**

(45) **Date of Patent: ** Dec. 11, 2001**

(54) **COMPACT DISC HOLDER AND DISPLAY**

(76) Inventors: **Lane J. Segerstrom; Tammy Segerstrom**, both of 1100 W. Sears, Denison, TX (US) 75020; **Clifton G. Hampton**, 139 N. Briaroads Rd., Burleson, TX (US) 76028

(**) Term: **14 Years**

(21) Appl. No.: **29/098,745**

(22) Filed: **Jan. 5, 1999**

(51) **LOC (7) Cl. 06-04**

(52) **U.S. Cl. D2/630; D6/407; D6/629**

(58) **Field of Search** D3/201; D6/407, D6/408, 626-635, 124; D14/26, 27; D19/32, 33, 74, 89; D27/340, 360; 40/626, 771, 775, 307; 150/149; 132/312; 206/307, 232, 308.1, 308.3, 309, 311, 312, 313, 387.13, 396, 408, 730, 755; 229/67.1, 68.1, 70-72; 340/572.5

(56) **References Cited**

U.S. PATENT DOCUMENTS

D. 315,982	*	4/1991	Kunimune et al.	D6/631
D. 324,337	*	3/1992	Brady	D9/425
D. 339,706	*	9/1993	Marostica	D6/571
D. 353,736	*	12/1994	Wenkman	D6/571
D. 388,457	*	12/1997	Wagner	D19/26
D. 405,307	*	2/1999	Shinohe	D6/627
D. 407,591	*	4/1999	Bologna et al.	D6/627
D. 415,753	*	10/1999	Kirihara	D14/121
D. 427,000	*	6/2000	Brown	D6/629
4,760,914	*	8/1988	Gelardi et al.	206/308.2

4,805,769	*	2/1989	Soltis et al.	206/308.2
4,951,826	*	8/1990	Tompkins	312/9.64
5,147,034	*	9/1992	Broadhead et al.	206/1.5
5,232,089	*	8/1993	Kim	206/308.1
5,413,215	*	5/1995	Hardinger, Jr.	206/308.1
5,417,319	*	5/1995	Chalberg et al.	206/387.11
5,597,216	*	1/1997	Real et al.	206/307.1
5,730,283	*	3/1998	Lax	206/308.1
5,772,020	*	6/1998	Hara	206/308.3
5,988,376	*	11/1999	Lax	206/308.2
5,996,815	*	12/1999	Walters et al.	211/40

* cited by examiner

Primary Examiner—Celia Murphy

(57) **CLAIM**

The ornamental design for a compact disc holder and display, as shown and described.

DESCRIPTION

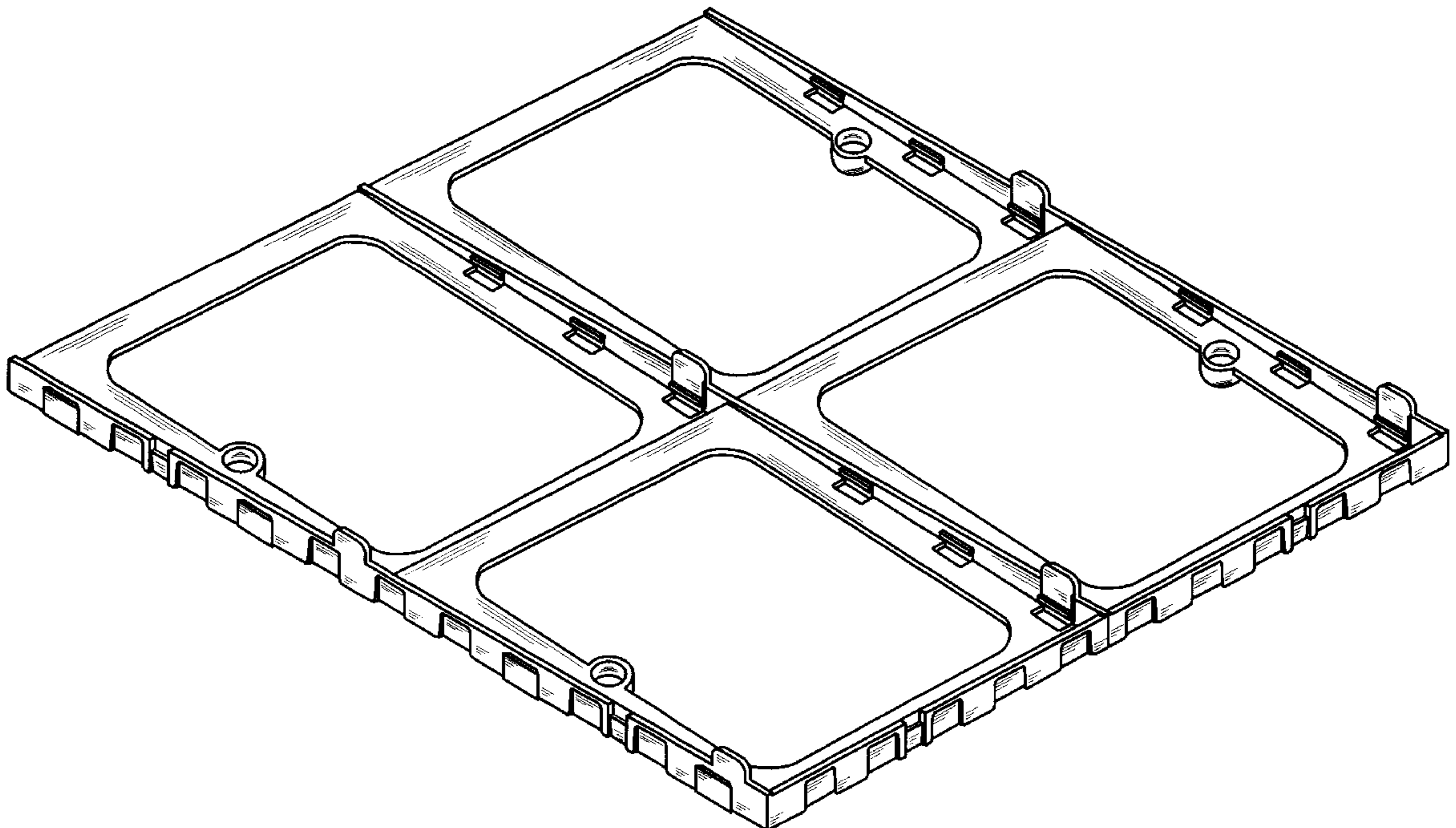
FIG. 1 is a front, bottom, and left side elevational view of an empty compact disc holder and display showing our new design;

FIG. 2 is a front, bottom, and left side view thereof that demonstrates the placement of compact discs within the claimed invention;

FIG. 3 is an enlarged front elevational view thereof; and, FIG. 4 is a cross-sectional view taken on line 4—4 of FIG. 2.

The rear of the cd holder/display is flat and unornamented. The right side of the cd holder/display is a mirror image of the left side. The compact discs in FIG. 2 are shown for illustrative purposes only and form no part of the claimed design.

1 Claim, 3 Drawing Sheets



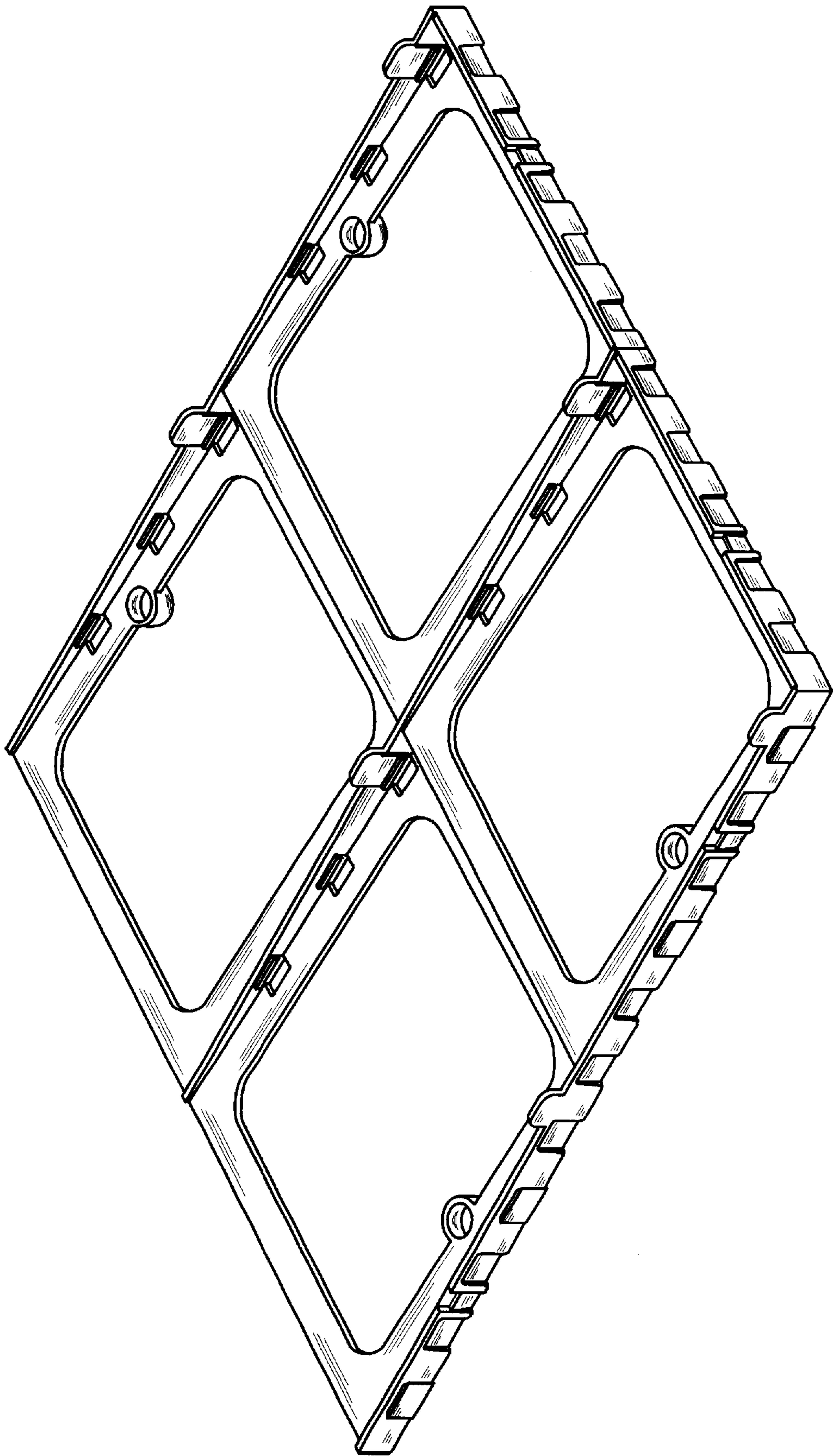


FIG. 1

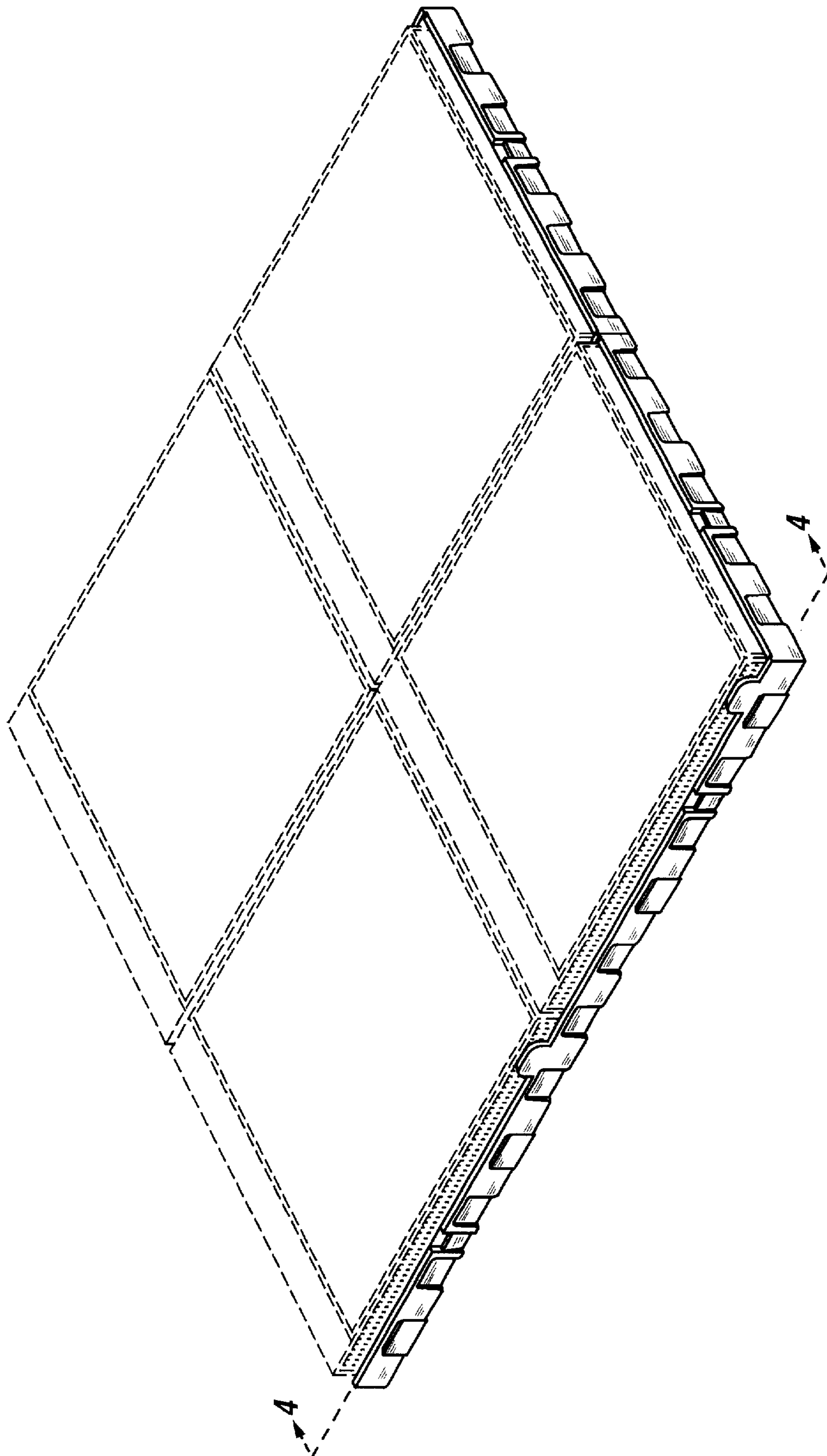


FIG. 2

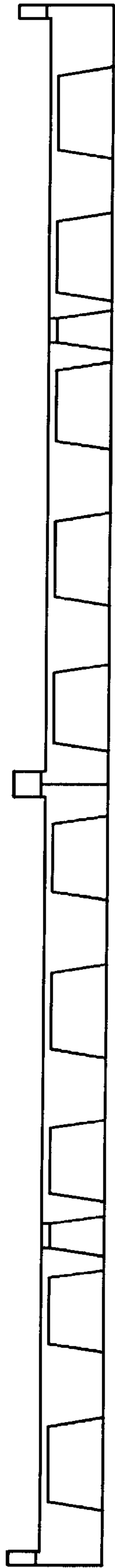


FIG. 3

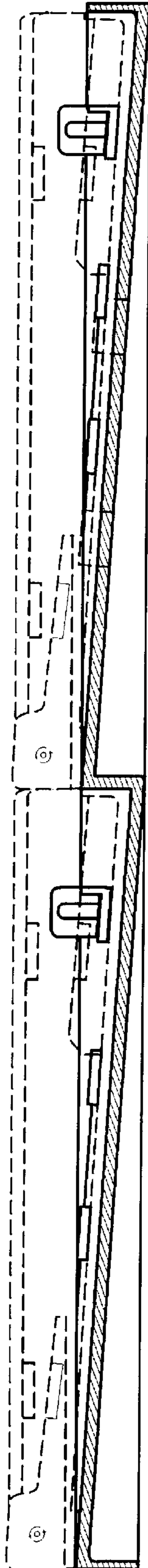


FIG. 4