



US00D451658B1

(12) **United States Design Patent**
Czemerer

(10) **Patent No.:** **US D451,658 S**

(45) **Date of Patent:** **** Dec. 4, 2001**

(54) **WALKER AND LIFT**

(75) Inventor: **Kelvin Czemerer, Midland (CA)**

(73) Assignee: **Medi-Man Rehabilitation Products Inc., Mississauga (CA)**

(**) Term: **14 Years**

(21) Appl. No.: **29/133,838**

(22) Filed: **Dec. 8, 2000**

(30) **Foreign Application Priority Data**

Oct. 30, 2000 (CA) 2000-2901

(51) **LOC (7) Cl.** **12-05**

(52) **U.S. Cl.** **D34/28**

(58) **Field of Search** D34/28, 34; 494/785,
494/921; 5/81.1, 83.1, 87.1, 88.1, 89.1;
254/8 B

(56) **References Cited**

U.S. PATENT DOCUMENTS

- D. 327,762 * 7/1992 Silbersky et al. D34/28
- D. 327,763 * 7/1992 Silbersky et al. D34/28
- D. 331,994 * 12/1992 Kinn D34/34
- D. 352,590 * 11/1994 Hodges D34/28
- D. 355,293 * 2/1995 Parker D34/28
- D. 402,434 * 12/1998 Votel D34/28

- D. 434,198 * 11/2000 Greaves D34/28
- 3,659,594 * 5/1972 Schwab 5/87.1
- 3,694,829 * 10/1972 Bakker 5/81.1
- 3,829,916 * 8/1974 James 5/86.1
- 5,897,100 * 4/1999 Napier et al. 254/8 B
- 5,987,664 * 11/1999 Somerton et al. 5/86.1

* cited by examiner

Primary Examiner—Cynthia E. Ramirez

(74) *Attorney, Agent, or Firm*—Henderson & Sturm LLP

(57) **CLAIM**

The ornamental design for a walker and lift, as shown and described.

DESCRIPTION

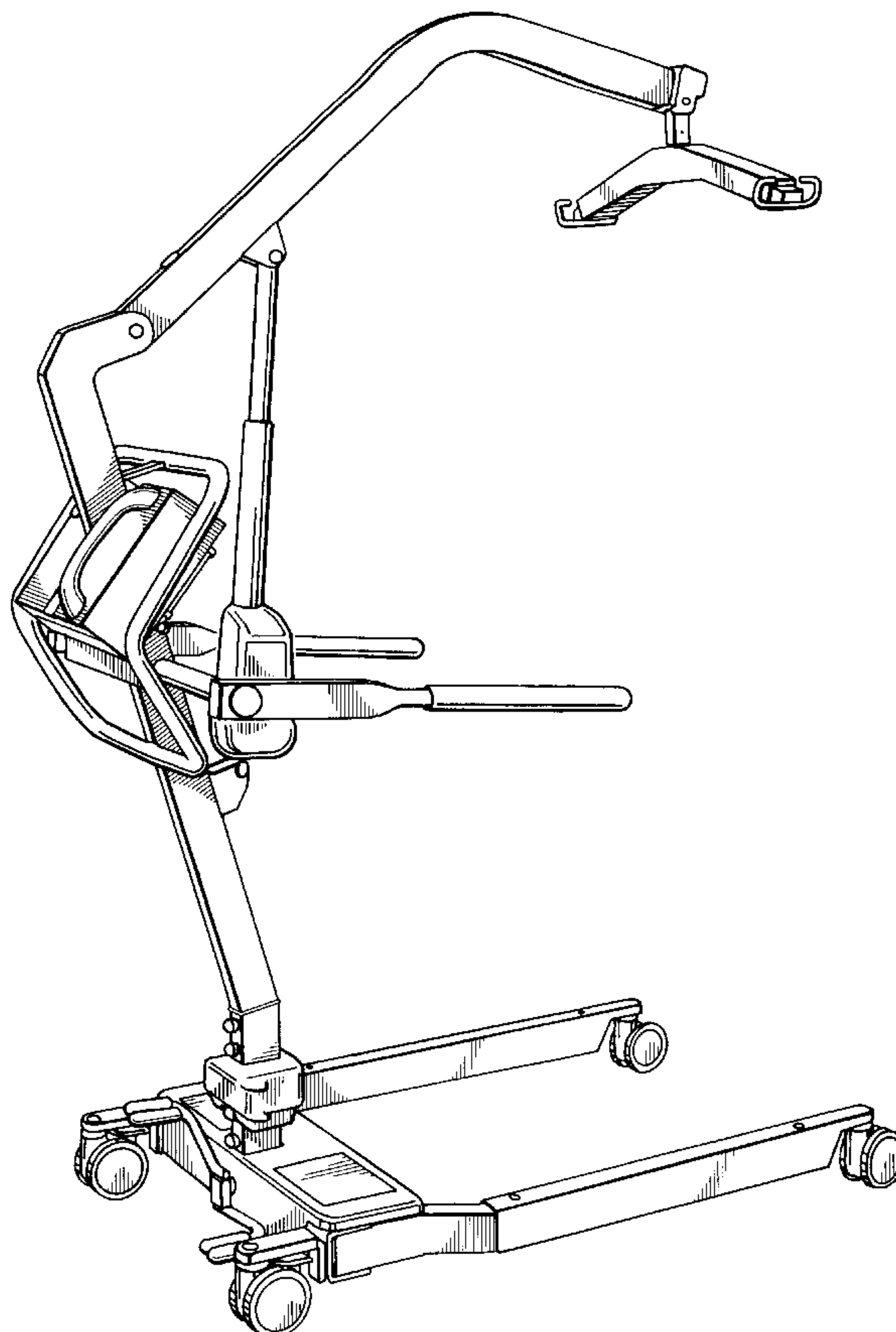
A portion of the disclosure of this patent document, including appendices, may contain material which is subject to copyright protection. The copyright owner has no objection to the facsimile reproduction by anyone of the patent document or the patent disclosure, as it appears in the Patent and Trademark Office patent file or records, but otherwise reserves all copyright rights whatsoever.

FIG. 1 is a perspective view of the walker and lift showing my new design;

FIG. 2 is a rear elevational view thereof; and,

FIG. 3 is a side elevational view thereof.

1 Claim, 3 Drawing Sheets



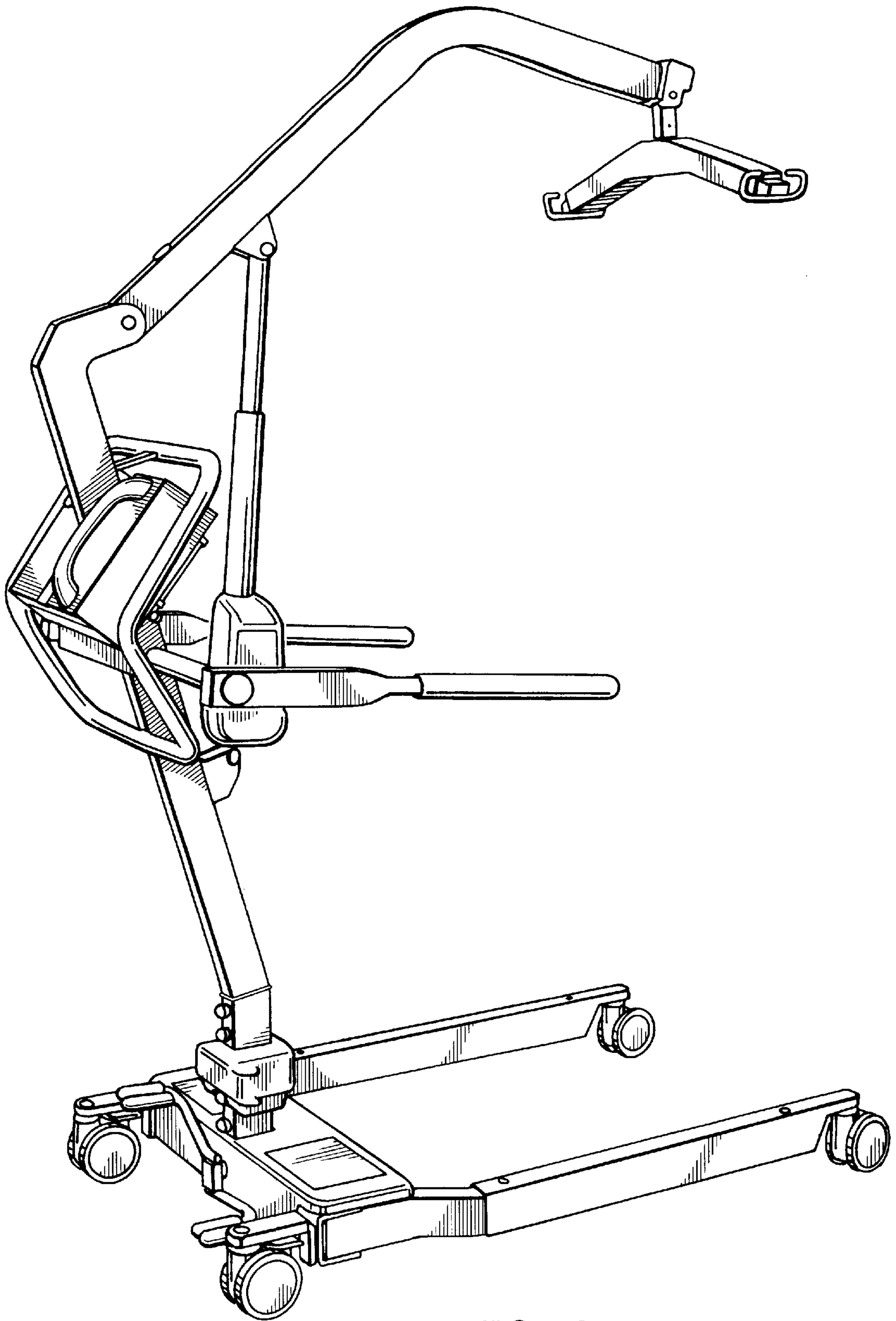


FIG. 1

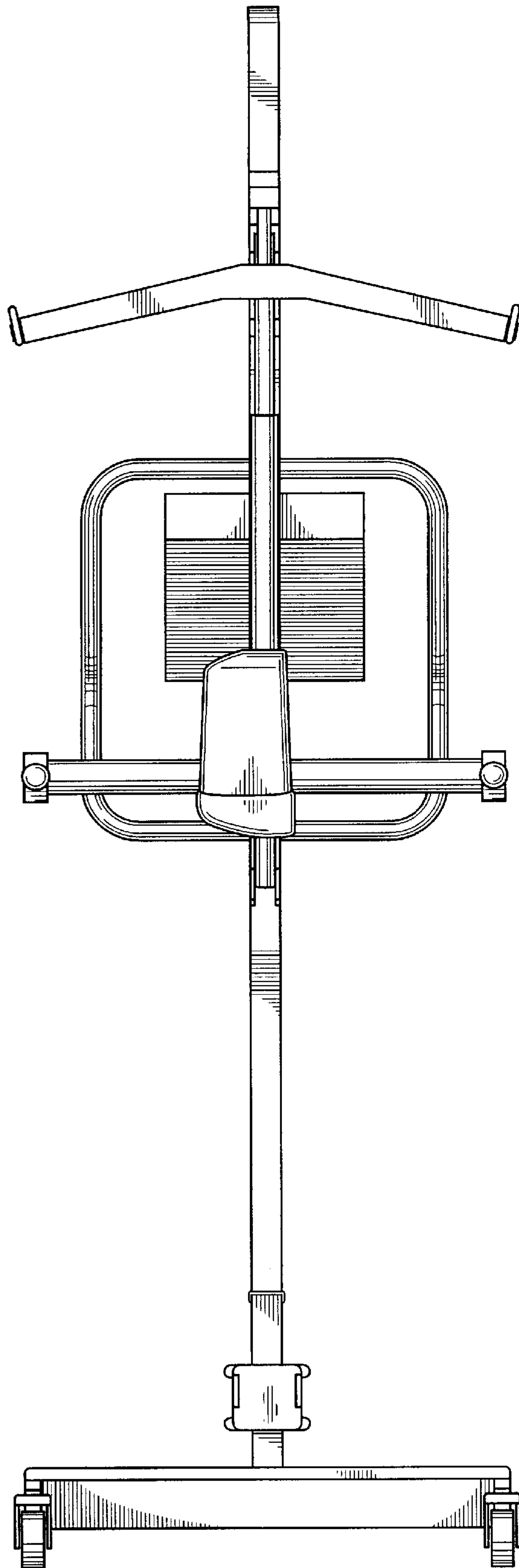


FIG. 2

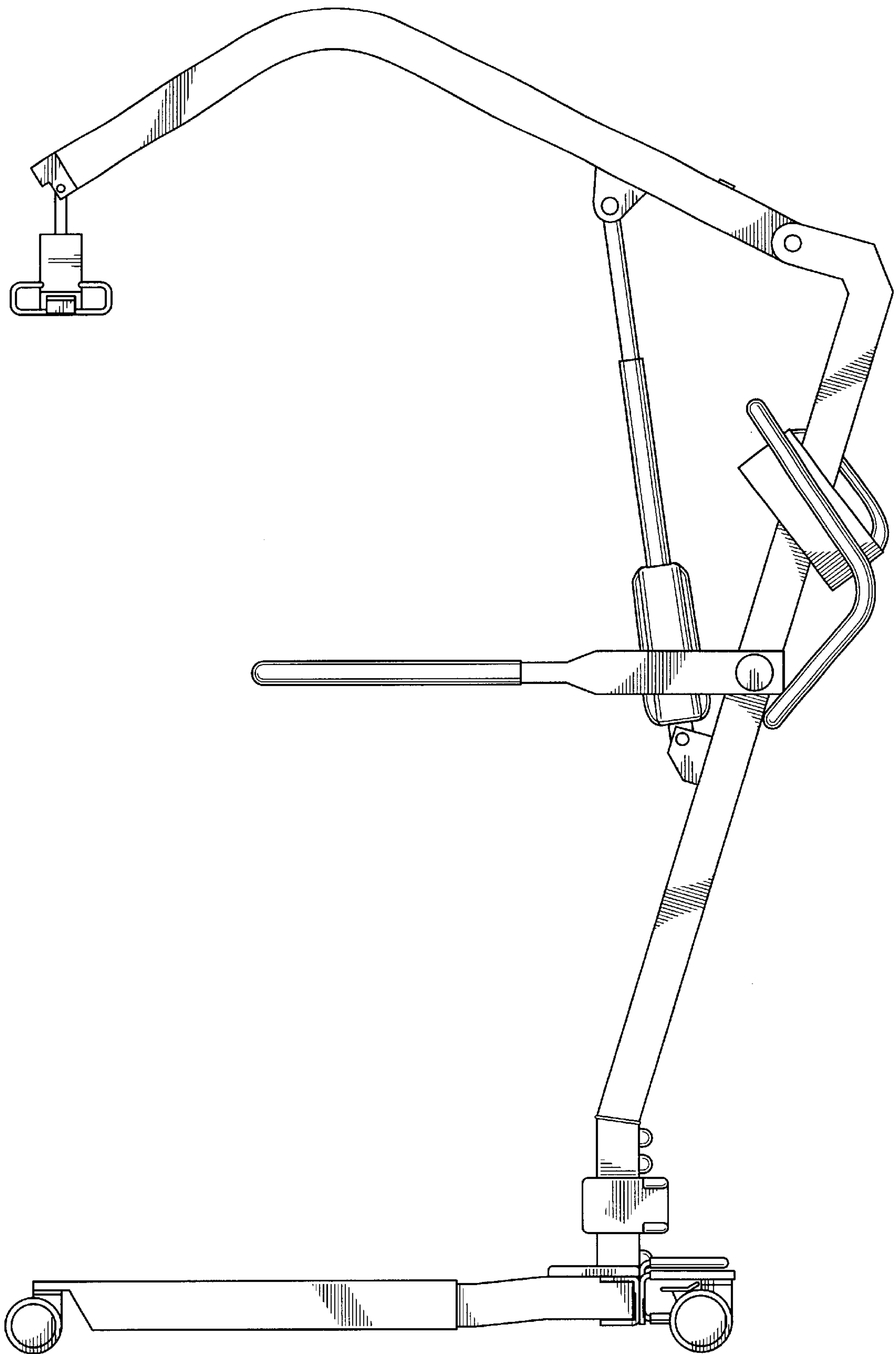


FIG. 3