



US00D451655B1

(12) **United States Design Patent**
Roberts et al.

(10) **Patent No.:** **US D451,655 S**

(45) **Date of Patent:** **** Dec. 4, 2001**

(54) **HANDLE FOR AN UPRIGHT EXTRACTOR**

(75) Inventors: **Kenneth L. Roberts**, Rockford;
Douglas J. Medema, Belding, both of
MI (US)

(73) Assignee: **Bissell Homecare, Inc.**, Grand Rapids,
MI (US)

(**) Term: **14 Years**

(21) Appl. No.: **29/143,568**

(22) Filed: **Jun. 15, 2001**

(51) **LOC (7) Cl.** **15-05**

(52) **U.S. Cl.** **D32/34; D32/31**

(58) **Field of Search** D32/22, 25, 30-31,
D32/34; 15/320-323, 347, 350, 352-353,
DIG. 8, DIG. 10; 55/337, 429, 266, 310-311,
345, 420; 95/12, 19, 271

(56) **References Cited**

U.S. PATENT DOCUMENTS

- D. 263,235 * 3/1982 Akita D32/22
- D. 314,847 * 2/1991 Shouji et al. D32/22
- D. 335,556 * 5/1993 Kuriya D32/22
- D. 379,692 * 6/1997 Abe D32/22
- D. 387,518 * 12/1997 Medema D32/22
- D. 398,094 * 9/1998 Sato et al. D32/22

- D. 398,095 * 9/1998 Sato et al. D32/22
- D. 398,723 * 9/1998 Diebel D32/22
- D. 403,477 * 12/1998 Tsujimoto et al. D32/22
- D. 430,715 * 9/2000 Eekhoff et al. D32/34
- D. 435,708 12/2000 Medema et al. .
- D. 439,380 3/2001 Medema et al. .
- D. 442,750 5/2001 Saunders et al. .
- 6,167,587 1/2001 Kasper et al. .

* cited by examiner

Primary Examiner—Ruth McInroy

(74) *Attorney, Agent, or Firm*—Rader, Fishman, Grauer &
Mc Garry, An Office of Rader, Fishman & Grauer PLLC

(57) **CLAIM**

The ornamental design for a handle for an upright extractor,
as shown and described.

DESCRIPTION

FIG. 1 is a perspective view of a design for a handle for an
upright extractor showing our new design.

FIG. 2 is a front view thereof.

FIG. 3 is a rear view thereof.

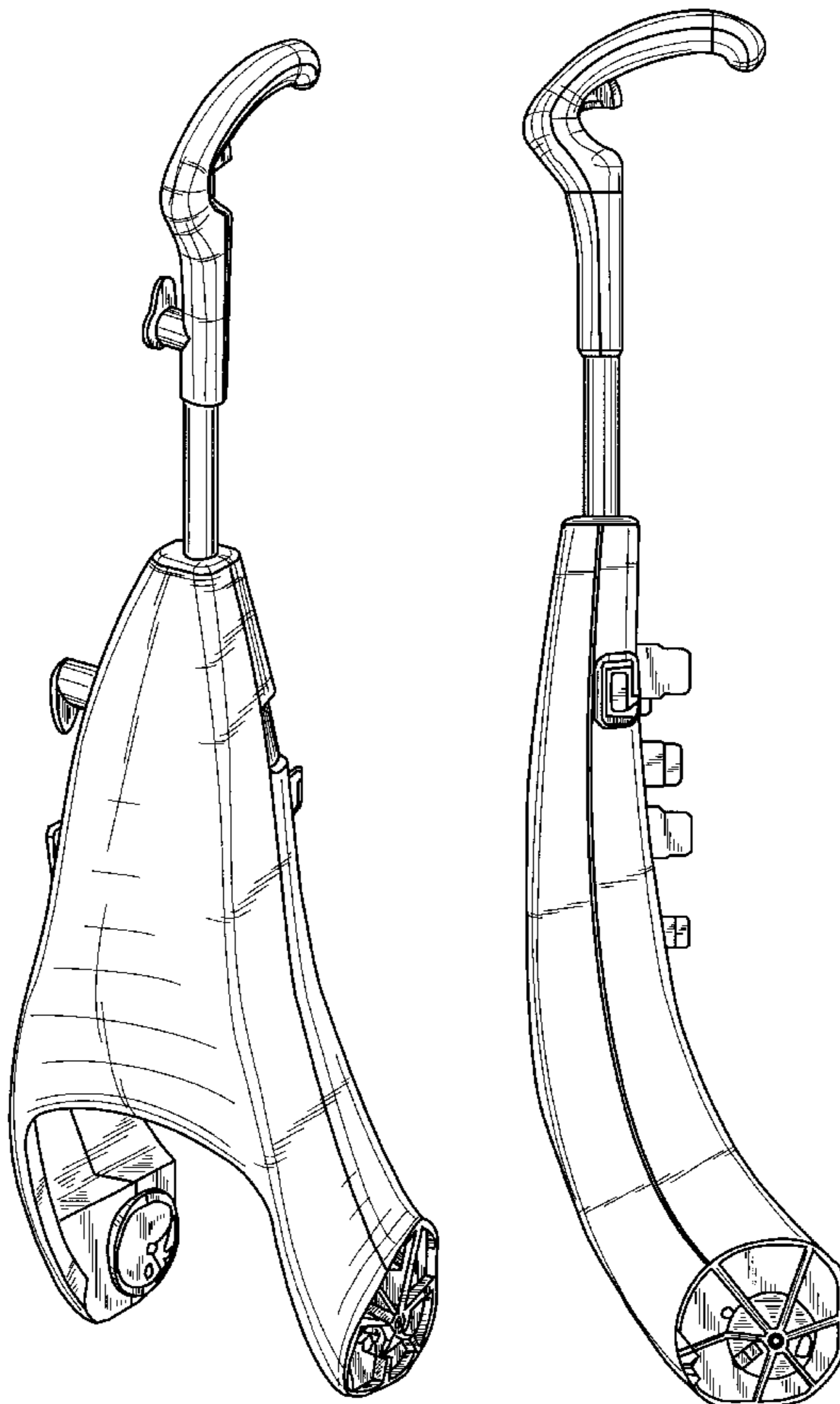
FIG. 4 is a right side view thereof.

FIG. 5 is a left side view thereof.

FIG. 6 is a top view thereof; and,

FIG. 7 is a bottom view thereof.

1 Claim, 7 Drawing Sheets



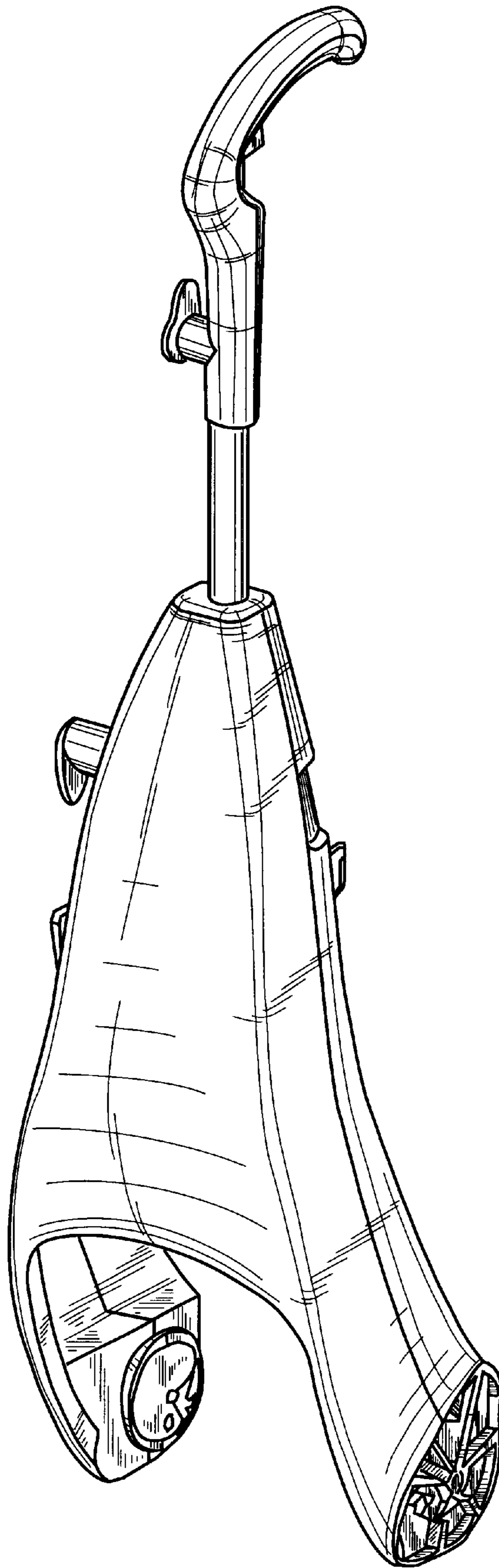


Fig. 1

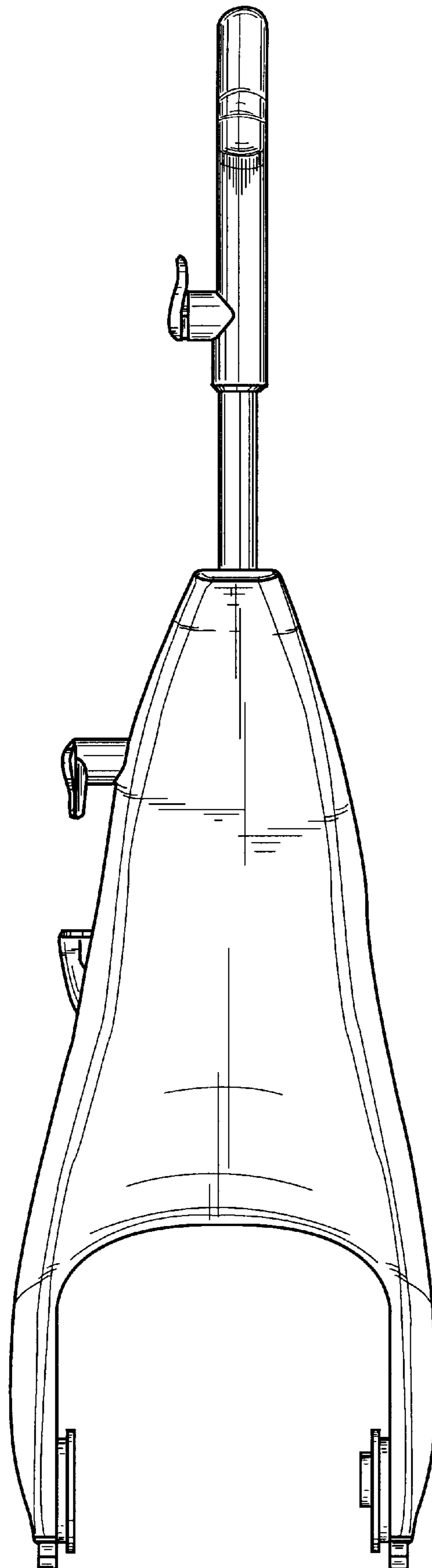


Fig. 2

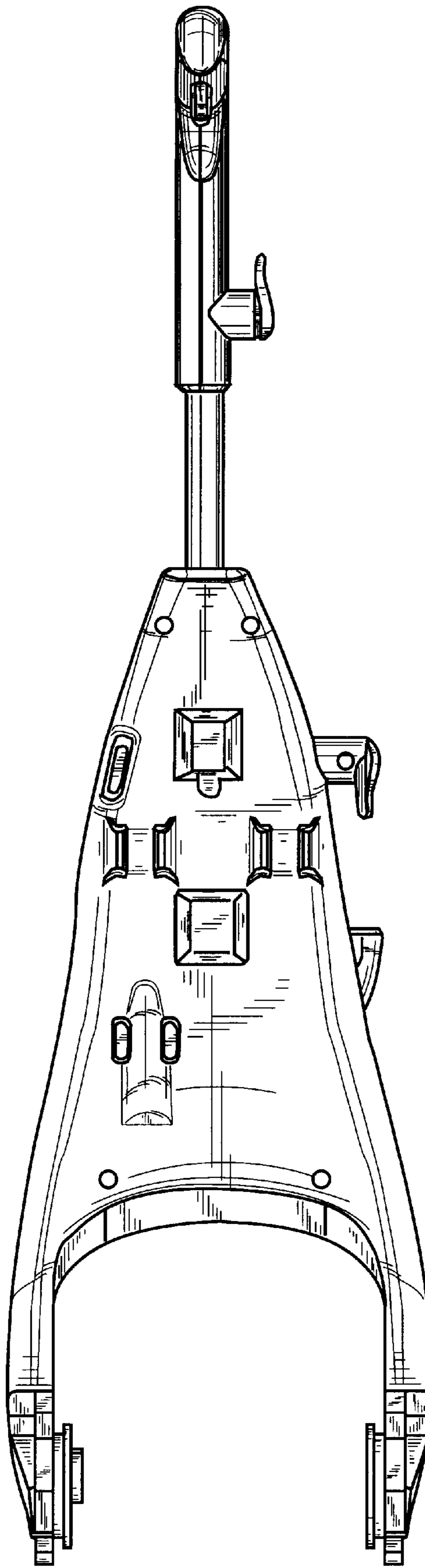


Fig. 3

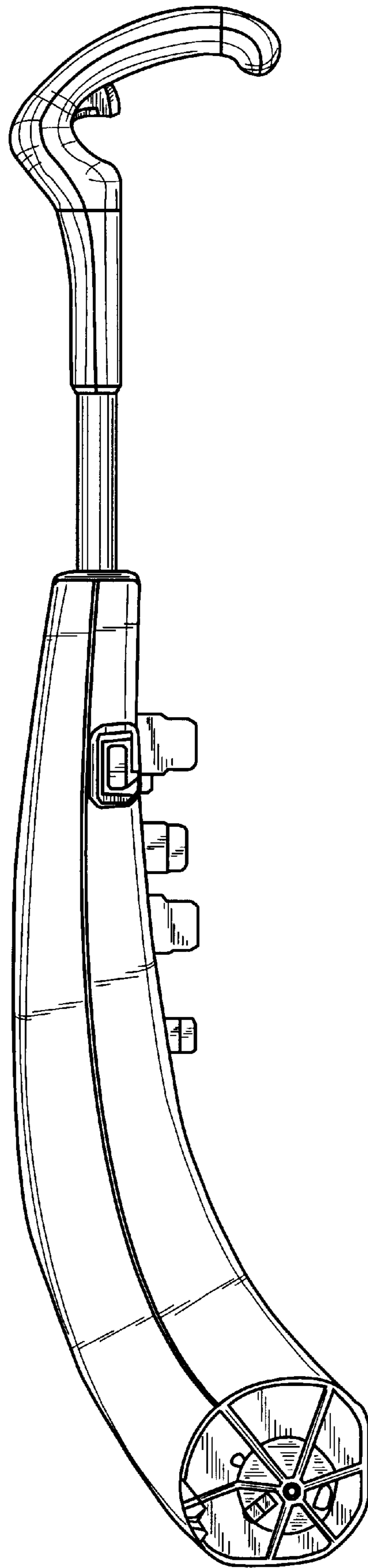


Fig. 4

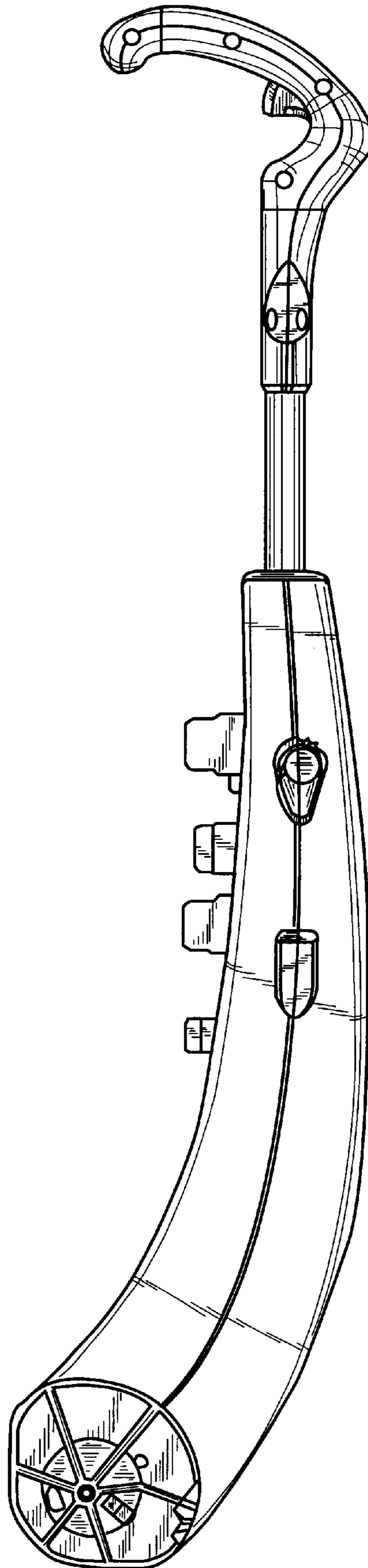


Fig. 5

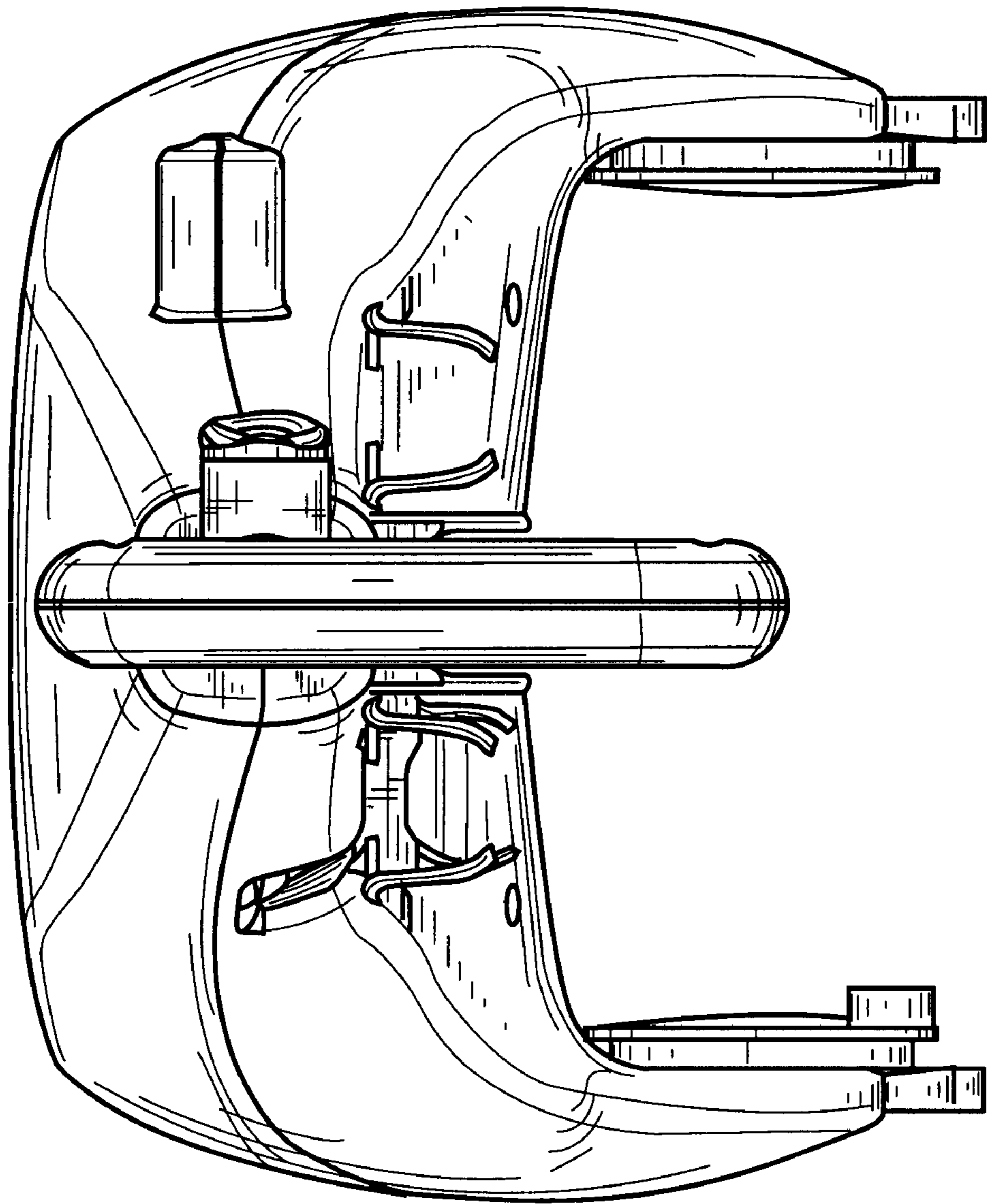


Fig. 6

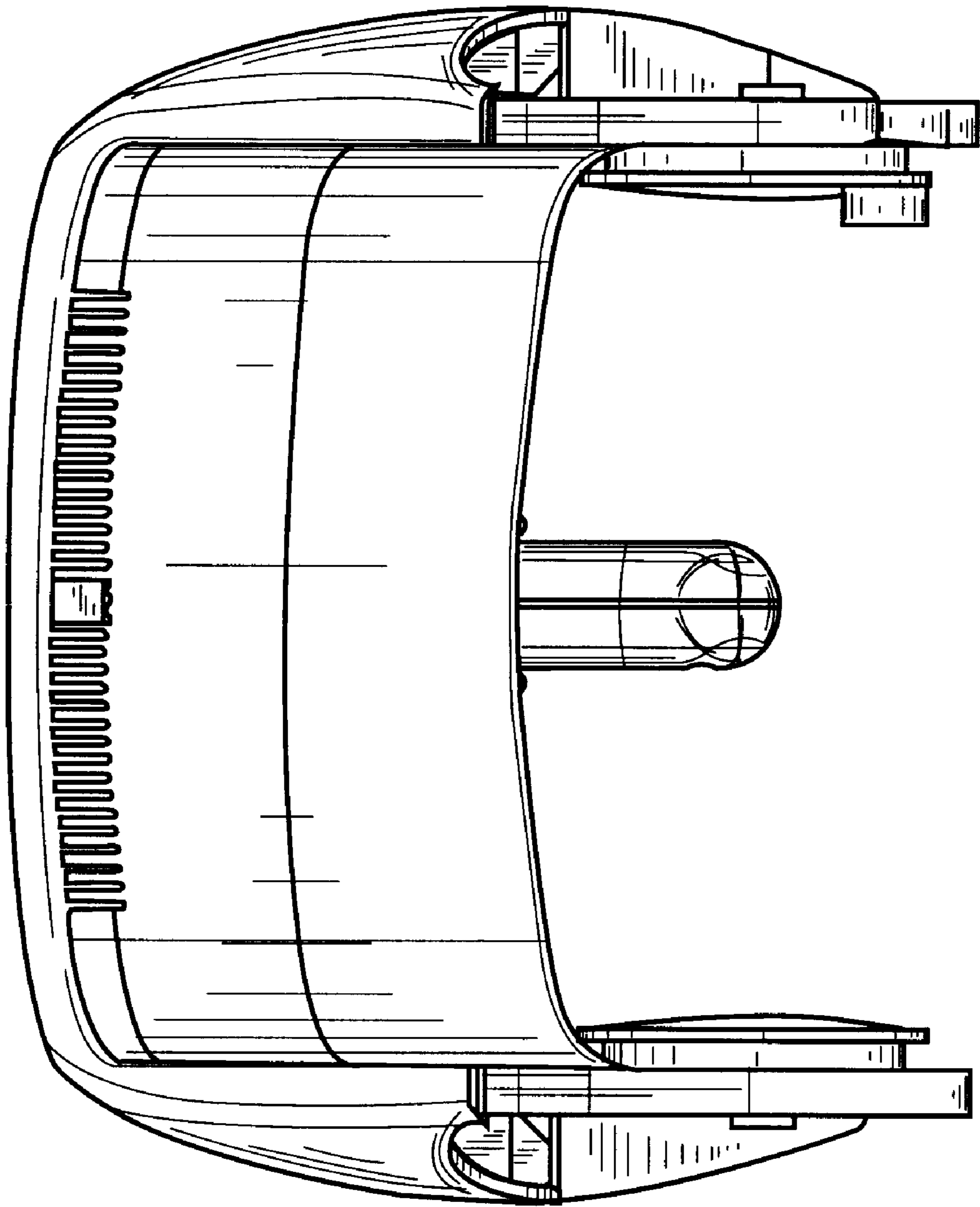


Fig. 7