

US00D451651B1

(12) **United States Design Patent**
Kaplan

(10) **Patent No.:** **US D451,651 S**

(45) **Date of Patent:** **** Dec. 4, 2001**

(54) **PET TOY**

(75) **Inventor:** **Joan Kaplan**, Demarest, NJ (US)

(73) **Assignee:** **Hasbro, Inc.**, Pawtucket, RI (US)

(**) **Term:** **14 Years**

(21) **Appl. No.:** **29/135,717**

(22) **Filed:** **Jan. 18, 2001**

(51) **LOC (7) Cl.** **30-99**

(52) **U.S. Cl.** **D30/160; D24/211; D24/214**

(58) **Field of Search** **D30/160; 119/702, 119/706-711; D24/211, 212, 214, 215**

(56) **References Cited**

U.S. PATENT DOCUMENTS

| | | | | | |
|------------|---|---------|-------------|-------|---------|
| D. 337,398 | * | 7/1993 | Axelrod | | D30/160 |
| D. 343,262 | * | 1/1994 | Axelrod | | D30/160 |
| D. 357,952 | * | 5/1995 | Chen | | D21/684 |
| D. 374,519 | * | 10/1996 | Ruble | | D30/160 |
| D. 399,569 | * | 10/1998 | Wier et al. | | D24/212 |
| D. 417,319 | * | 11/1999 | Weiss, Jr. | | D30/160 |

| | | | | | |
|------------|---|---------|------------------|-------|---------|
| D. 427,391 | * | 6/2000 | Gill | | D30/160 |
| D. 435,660 | * | 12/2000 | Yoo | | D24/211 |
| 2,698,598 | * | 1/1955 | Hadley | | 119/708 |
| 5,961,406 | * | 10/1999 | Hass | | 473/576 |
| 5,988,114 | * | 11/1999 | Krietzman et al. | | 119/706 |

* cited by examiner

Primary Examiner—Cathy Anne MacCormac

(74) *Attorney, Agent, or Firm*—Kurt R. Benson

(57) **CLAIM**

The ornamental design for a pet toy, as shown.

DESCRIPTION

FIG. 1 is a perspective view of the pet toy of the instant invention;

FIG. 2 is a left side elevational view thereof;

FIG. 3 is a right side elevational plan view thereof;

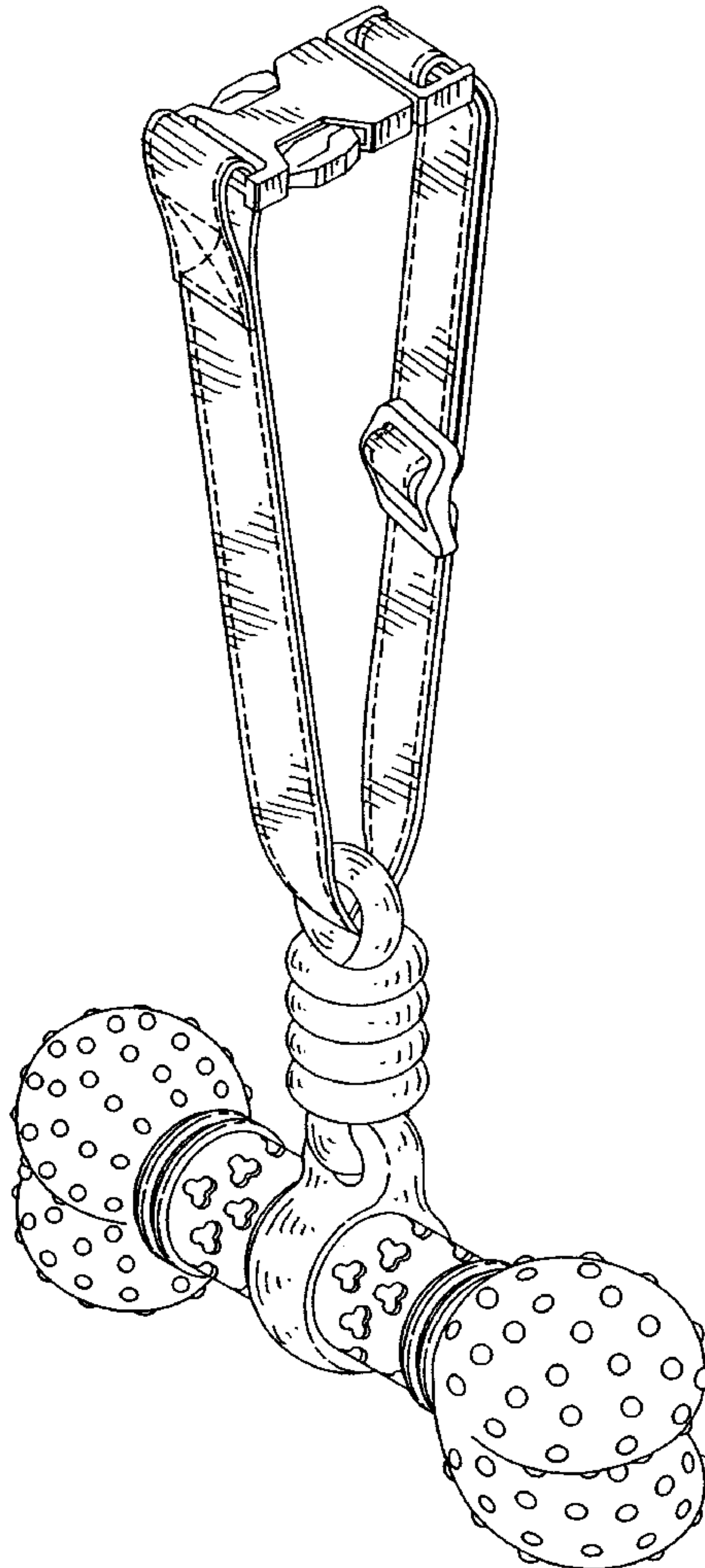
FIG. 4 is a front elevational view thereof;

FIG. 5 is a rear elevational view thereof;

FIG. 6 is a top plan view thereof; and,

FIG. 7 is a bottom plan view thereof.

1 Claim, 3 Drawing Sheets



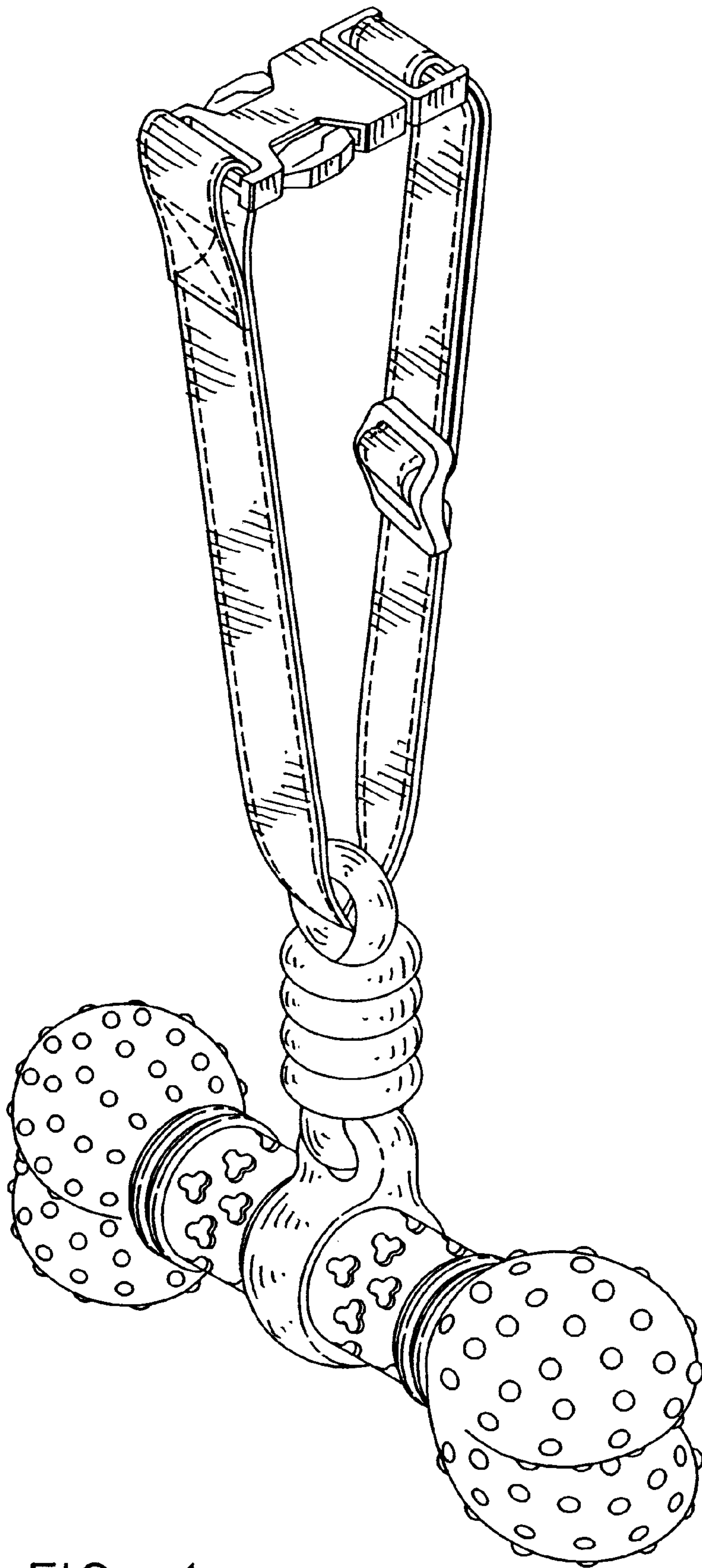


FIG. 1

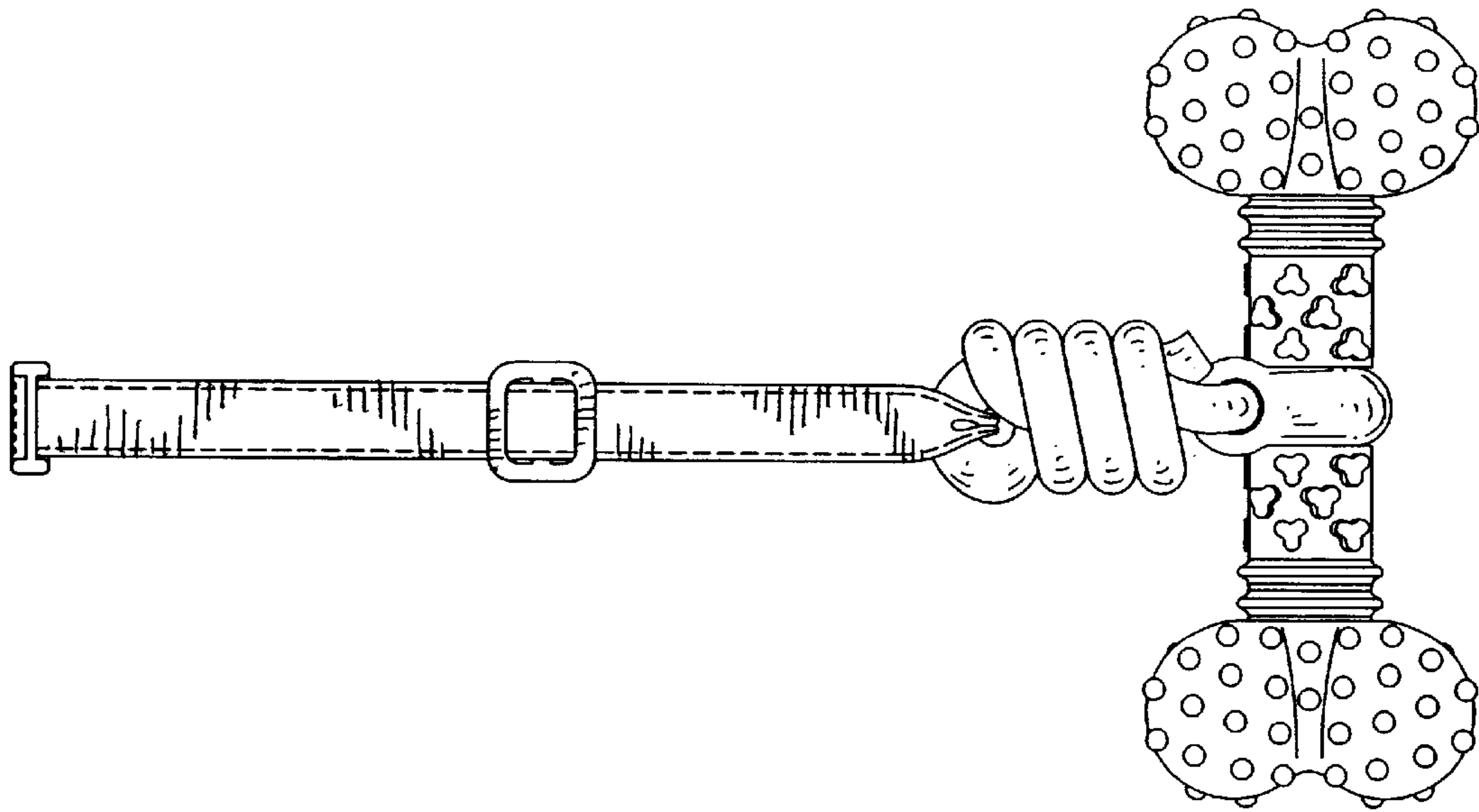


FIG. 3

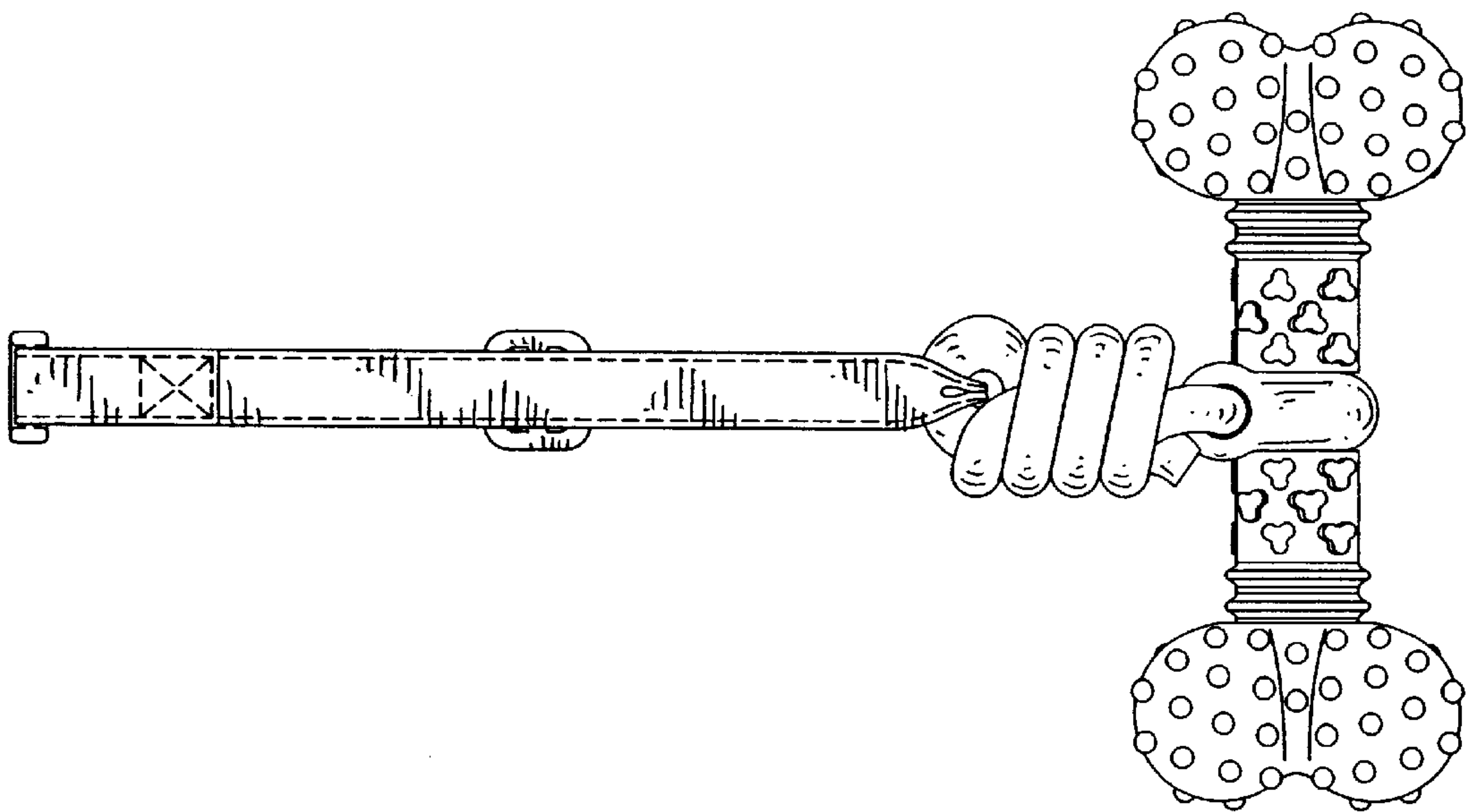


FIG. 2

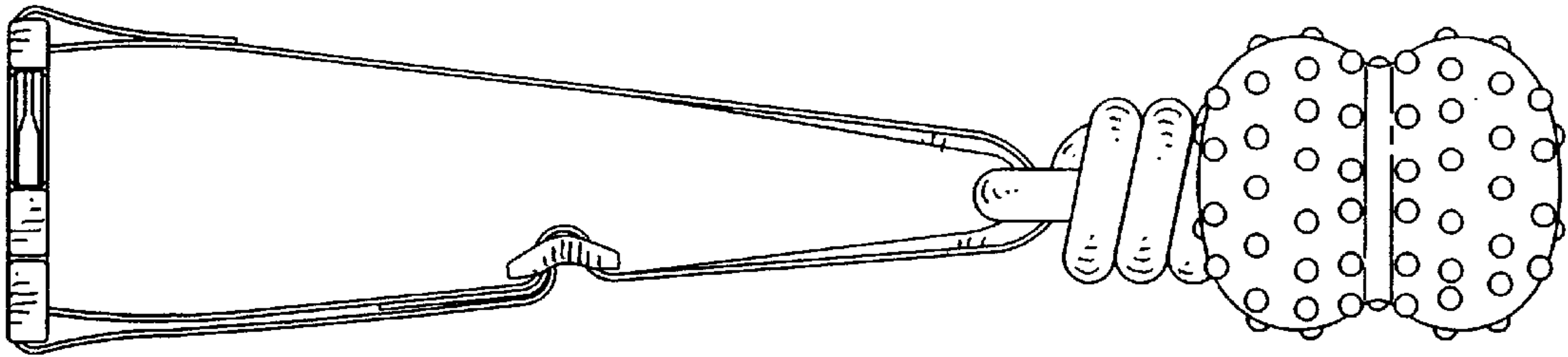


FIG. 5

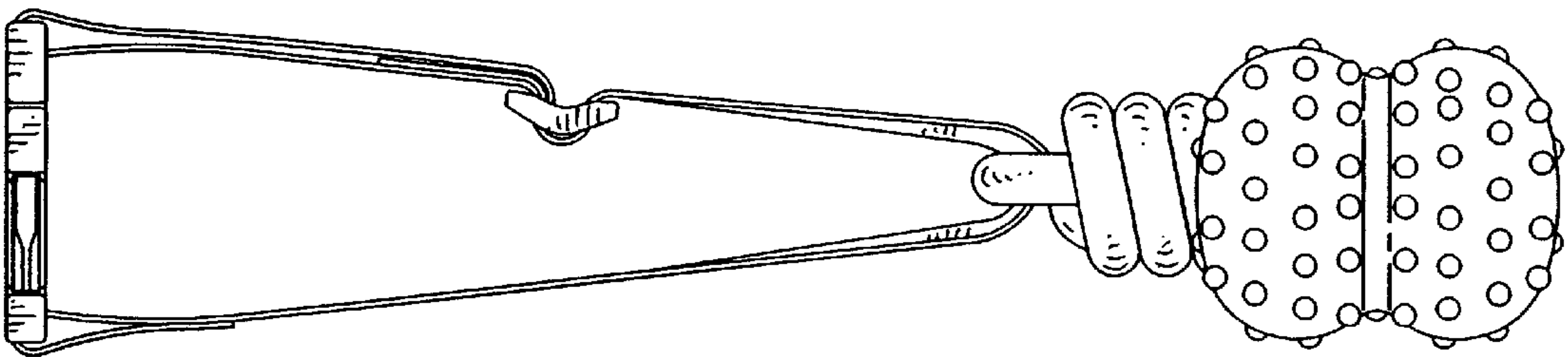


FIG. 4

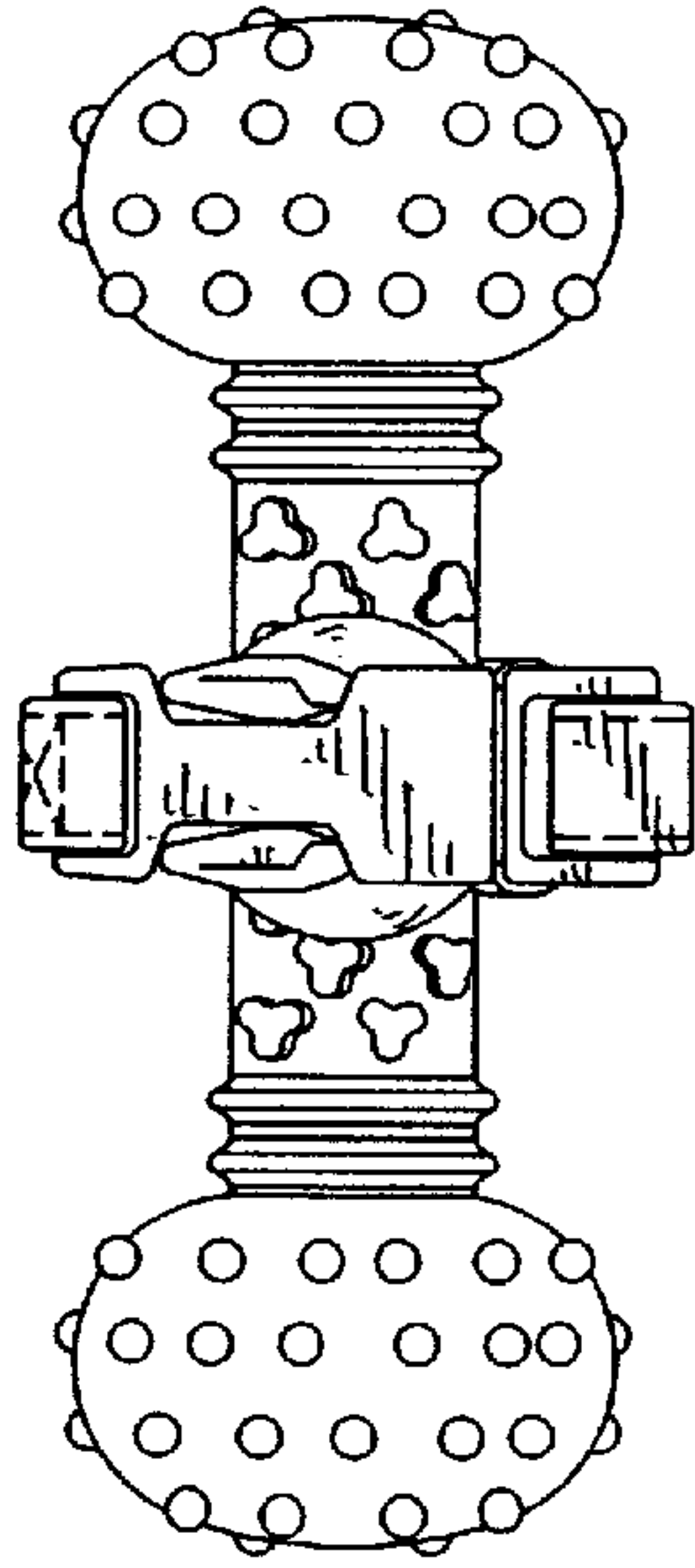


FIG. 6

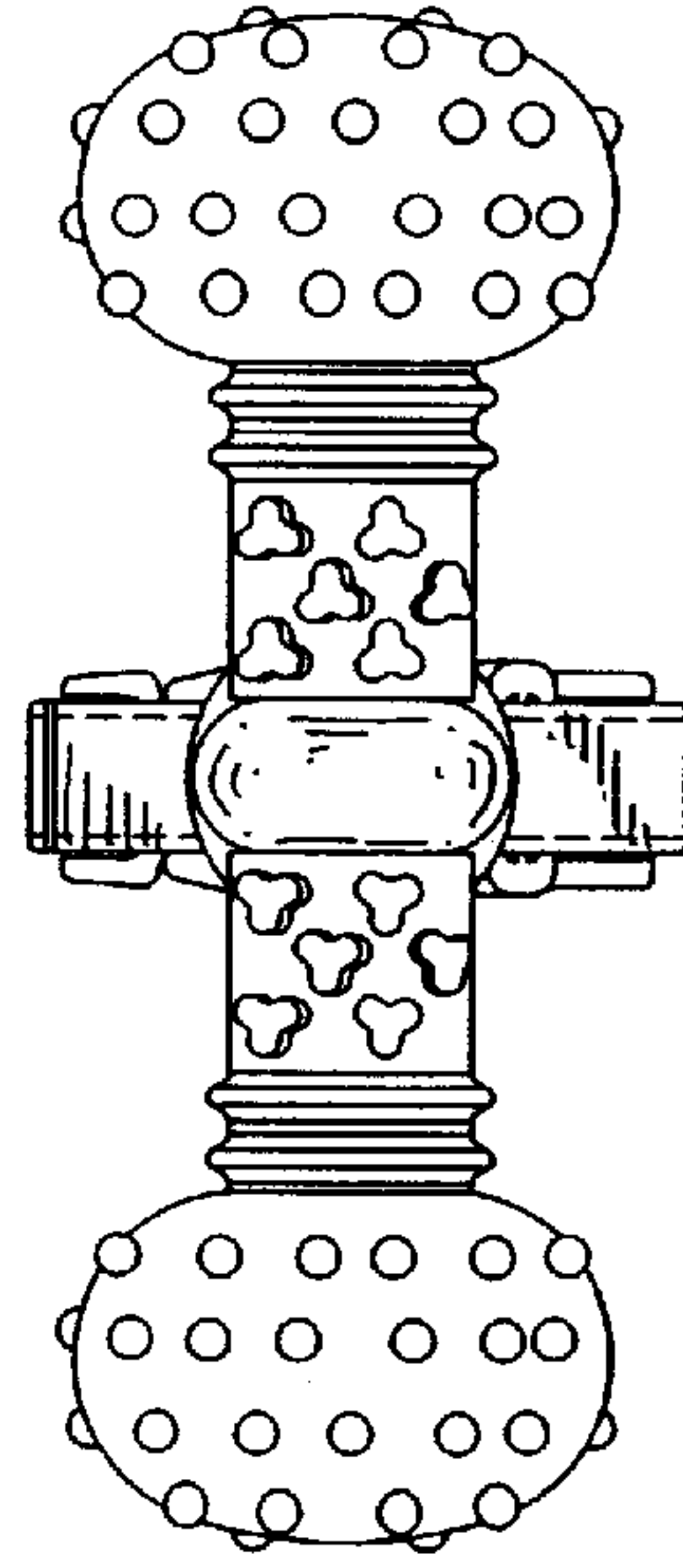


FIG. 7