



US00D451648B1

(12) **United States Design Patent** (10) **Patent No.:** **US D451,648 S**
Johnson (45) **Date of Patent:** **** Dec. 4, 2001**

(54) **ELEVATED DOG BOWL WITH HANDLE**

(76) Inventor: **Linda Joy Johnson**, 1415 11th Ave.,
San Francisco, CA (US) 94122

(**) Term: **14 Years**

(21) Appl. No.: **29/141,284**

(22) Filed: **May 4, 2001**

Related U.S. Application Data

(63) Continuation-in-part of application No. 29/125,522, filed on
Jun. 26, 2000.

(51) **LOC (7) Cl.** **30-03**

(52) **U.S. Cl.** **D30/129**

(58) **Field of Search** D30/128-129,
D30/121, 122, 130-133; 15/260, 262; 119/71,
51.13, 51.11, 52.01, 51.01, 60, 61, 77,
53.01, 51.05; 220/8, 758, 529, 694-696,
773, 774, 702, 904; D7/538-548, 602,
629, 612, 613; D22/136; D32/53, 53.1

(56) **References Cited**

U.S. PATENT DOCUMENTS

D. 302,754	*	8/1989	Fuller	D30/129
D. 321,572	*	11/1991	Laden	D30/129
D. 386,860	*	11/1997	Breen	D32/53
D. 401,475	*	11/1998	Ritchey	D7/543
D. 419,735	*	1/2000	Del Real	D32/53
2,620,006	*	12/1952	Borron-Sabala	220/758

* cited by examiner

Primary Examiner—Pamela Burgess

(57) **CLAIM**

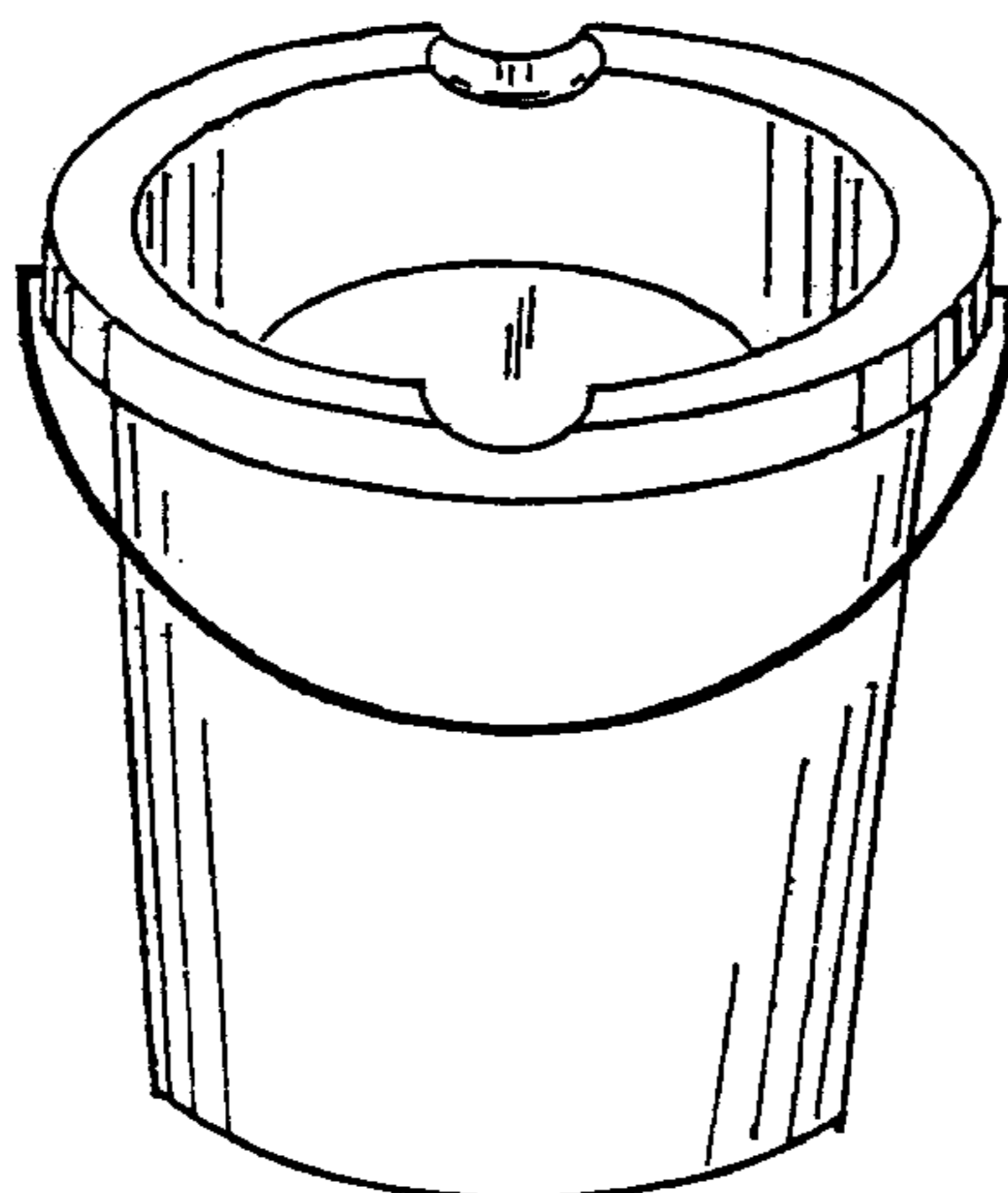
The ornamental design for an elevated dog bowl with handle, as shown and described.

DESCRIPTION

FIG. 1 is a top rear perspective view of an elevated dog bowl with handle showing my new design;
FIG. 2 is a sectional view thereof, taken along line 2—2 of FIG. 6;

FIG. 3 is a sectional view thereof, taken along line 3—3 of FIG. 6;
FIG. 4 is a front elevational view thereof;
FIG. 5 is a rear elevational view thereof;
FIG. 6 is a left side elevational view thereof, the right side being a mirror image;
FIG. 7 is a top plan view thereof;
FIG. 8 is a top rear perspective view of a second embodiment of an elevated dog bowl with handle showing my new design;
FIG. 9 is a sectional view thereof, taken along 9—9 of FIG. 11;
FIG. 10 is a rear elevational view thereof;
FIG. 11 is a left side elevational view thereof, the right side being a mirror image;
FIG. 12 is a top plan view thereof;
FIG. 13 is a top rear perspective view of a third embodiment of an elevated dog bowl with handle showing my new design;
FIG. 14 is a sectional view thereof, taken along line 14—14 of FIG. 16;
FIG. 15 is a front elevational view thereof;
FIG. 16 is a right side elevational view thereof;
FIG. 17 is a top plan view thereof;
FIG. 18 is a sectional view of a fourth embodiment of an elevated dog bowl with handle showing my new design, taken along line 2—2 of FIG. 6. The only difference between this embodiment and embodiment 1 is that the bottom is not claimed;
FIG. 19 is a sectional view thereof, taken along line 3—3 of FIG. 6;
FIG. 20 is a sectional view of a fifth embodiment of an elevated dog bowl with handle showing my new design, taken along line 9—9 of FIG. 11. The only difference between this embodiment and embodiment 2 is that the bottom is not claimed; and,
FIG. 21 is a sectional view of a sixth embodiment of an elevated dog bowl with handle showing my new design, taken along line 14—14 of FIG. 16. The only difference between this embodiment and embodiment 3 is that the bottom is not claimed.
The broken lines shown in FIGS. 18-21 are for illustrative purposes only and form no part of the claimed design.

1 Claim, 11 Drawing Sheets



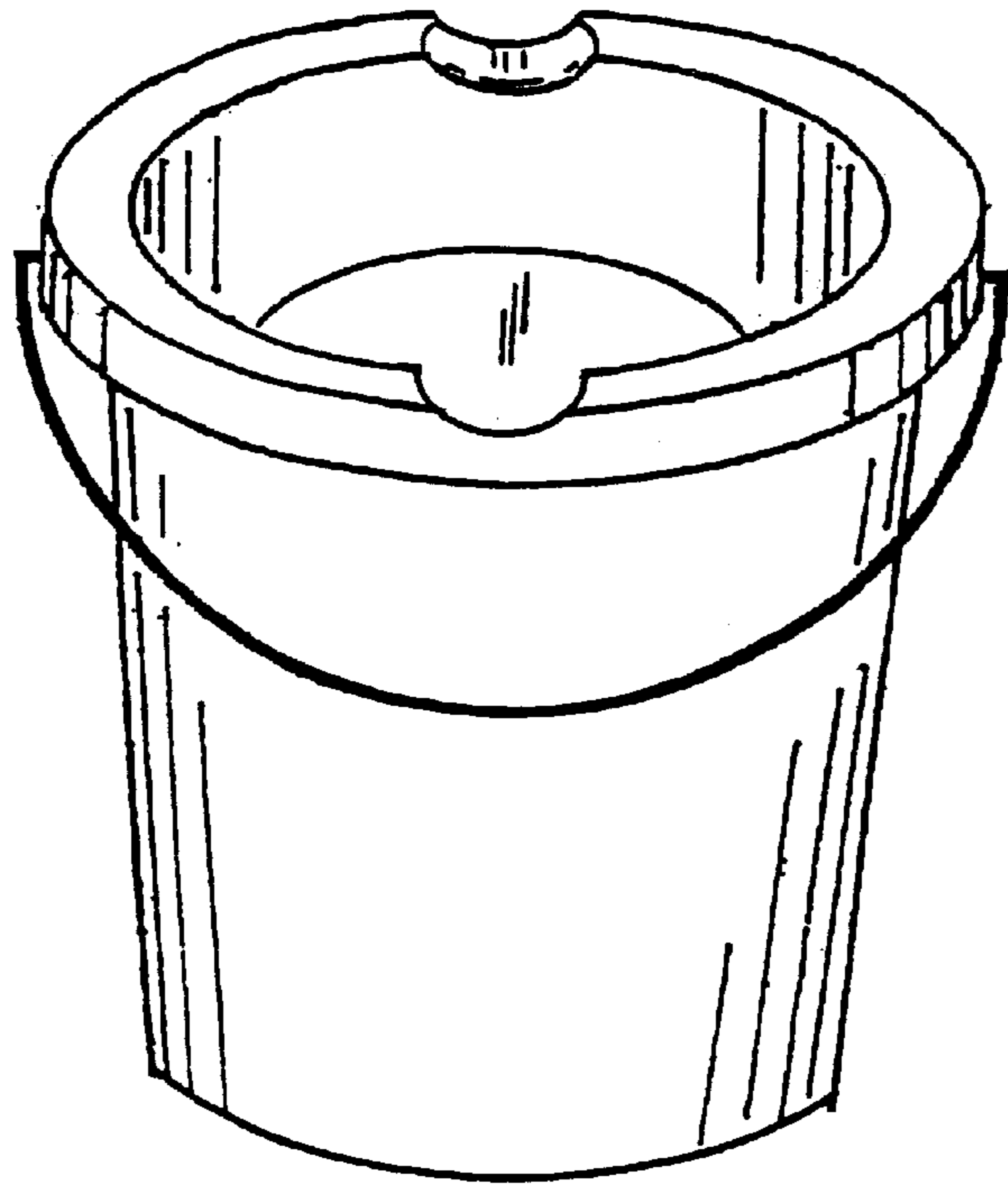


Fig. 1

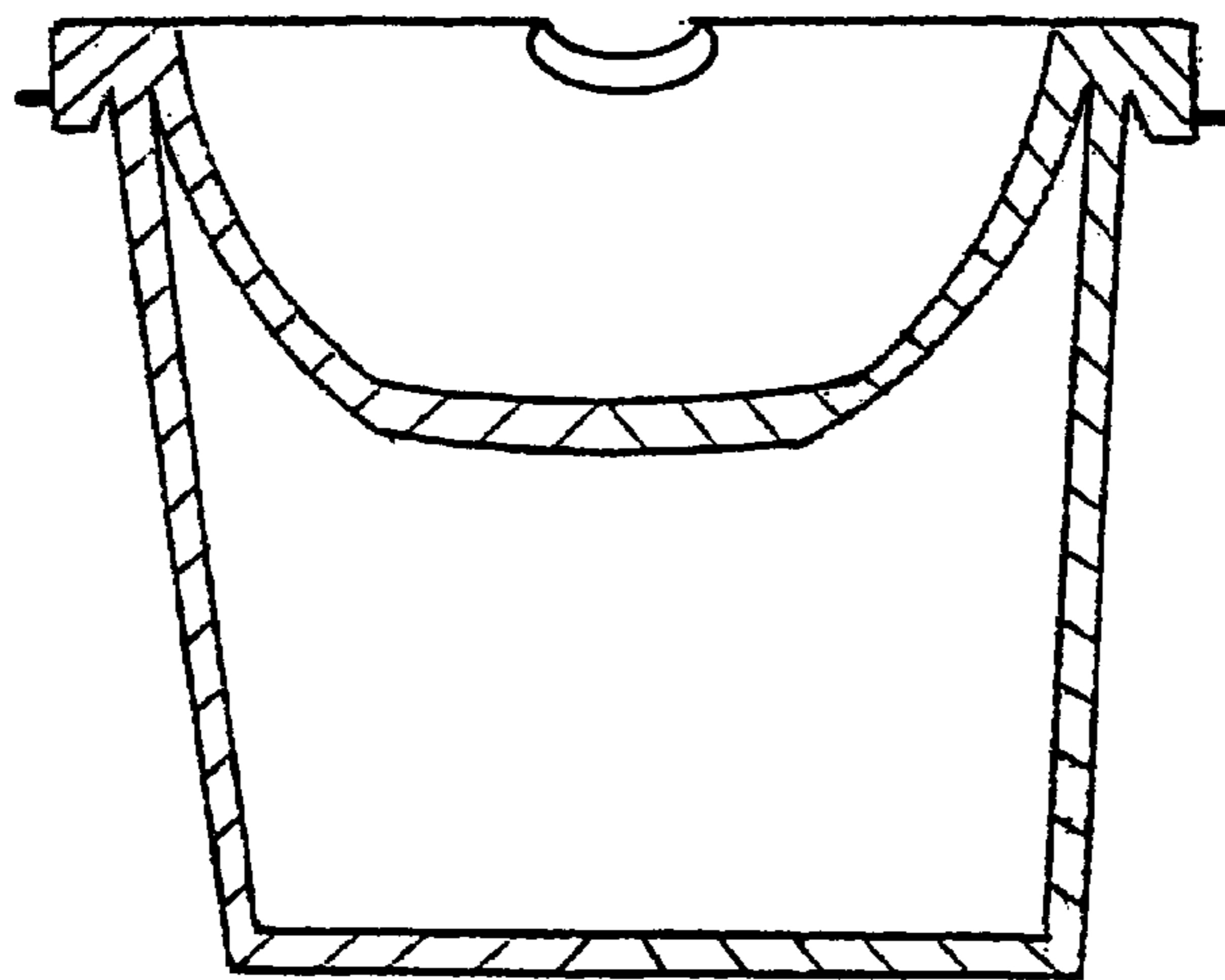


Fig. 2

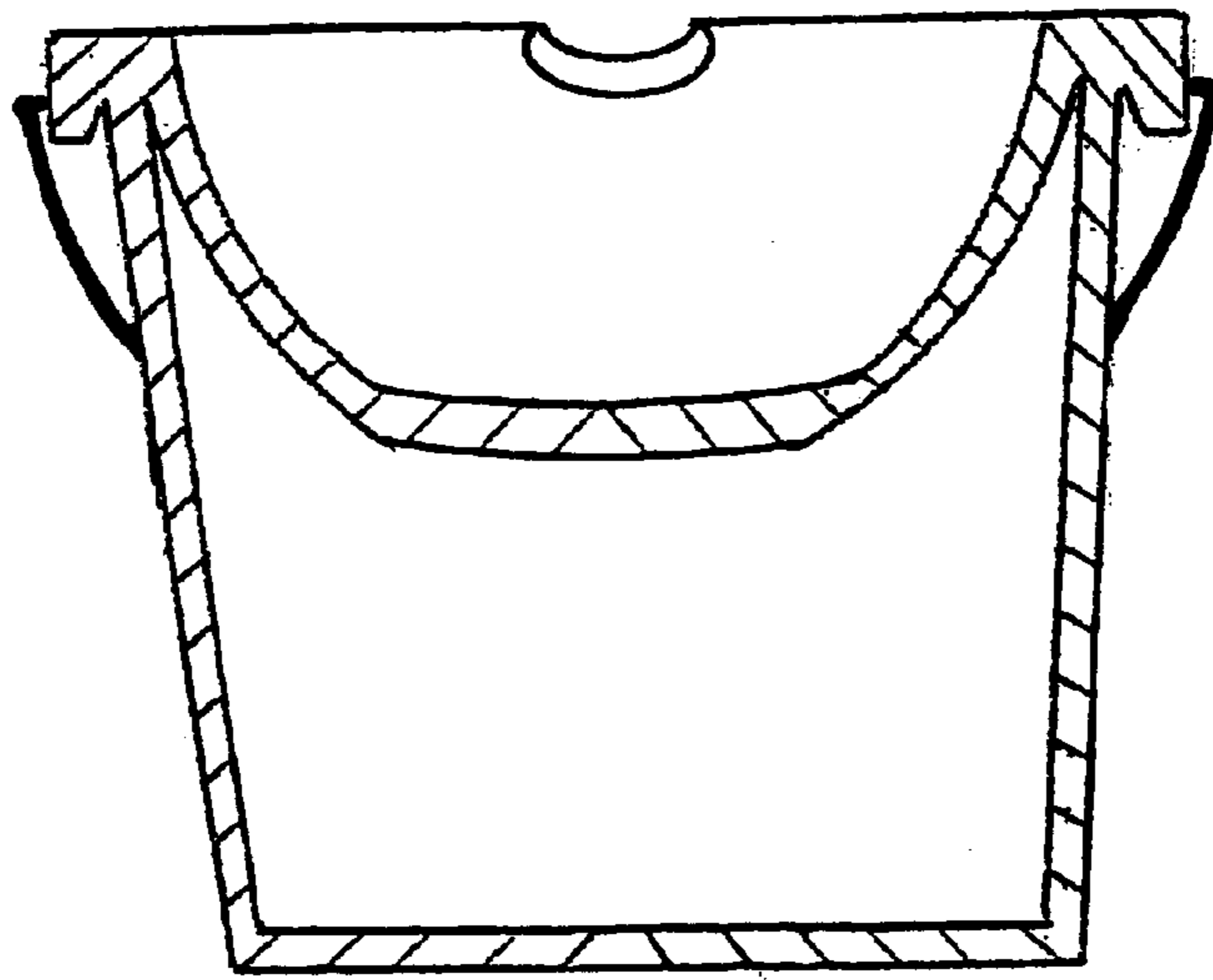


Fig. 3

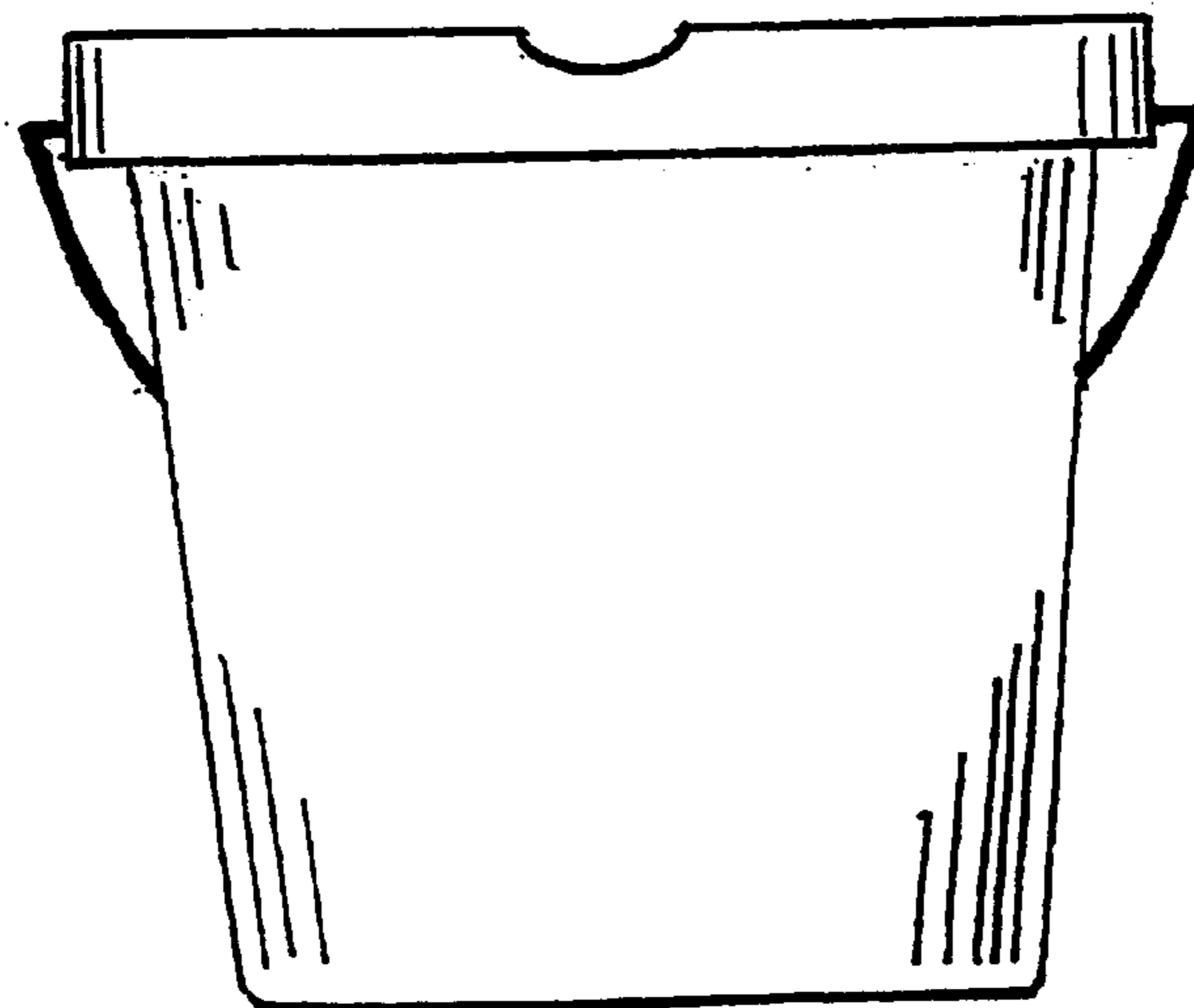


Fig. 4

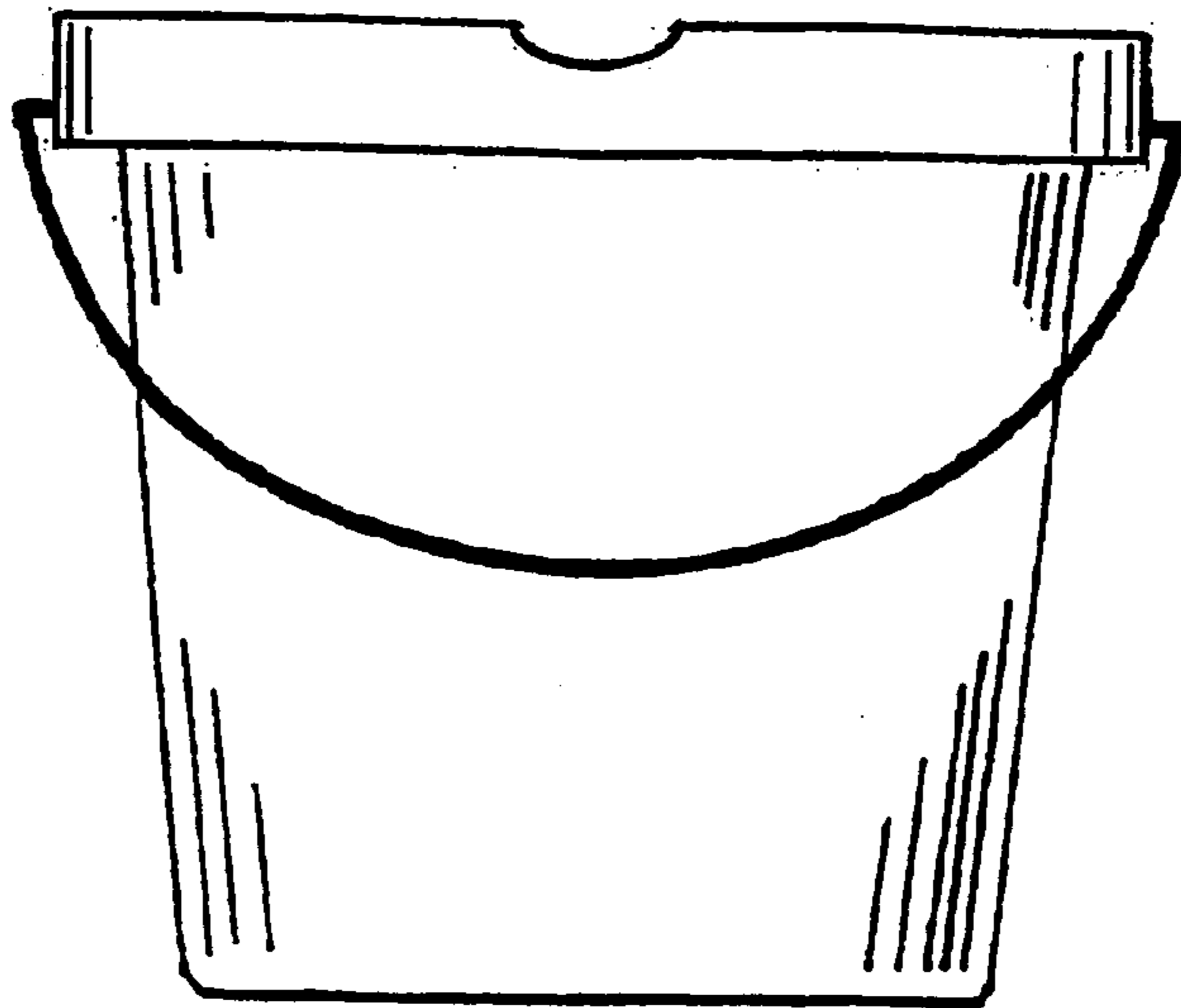


Fig. 5

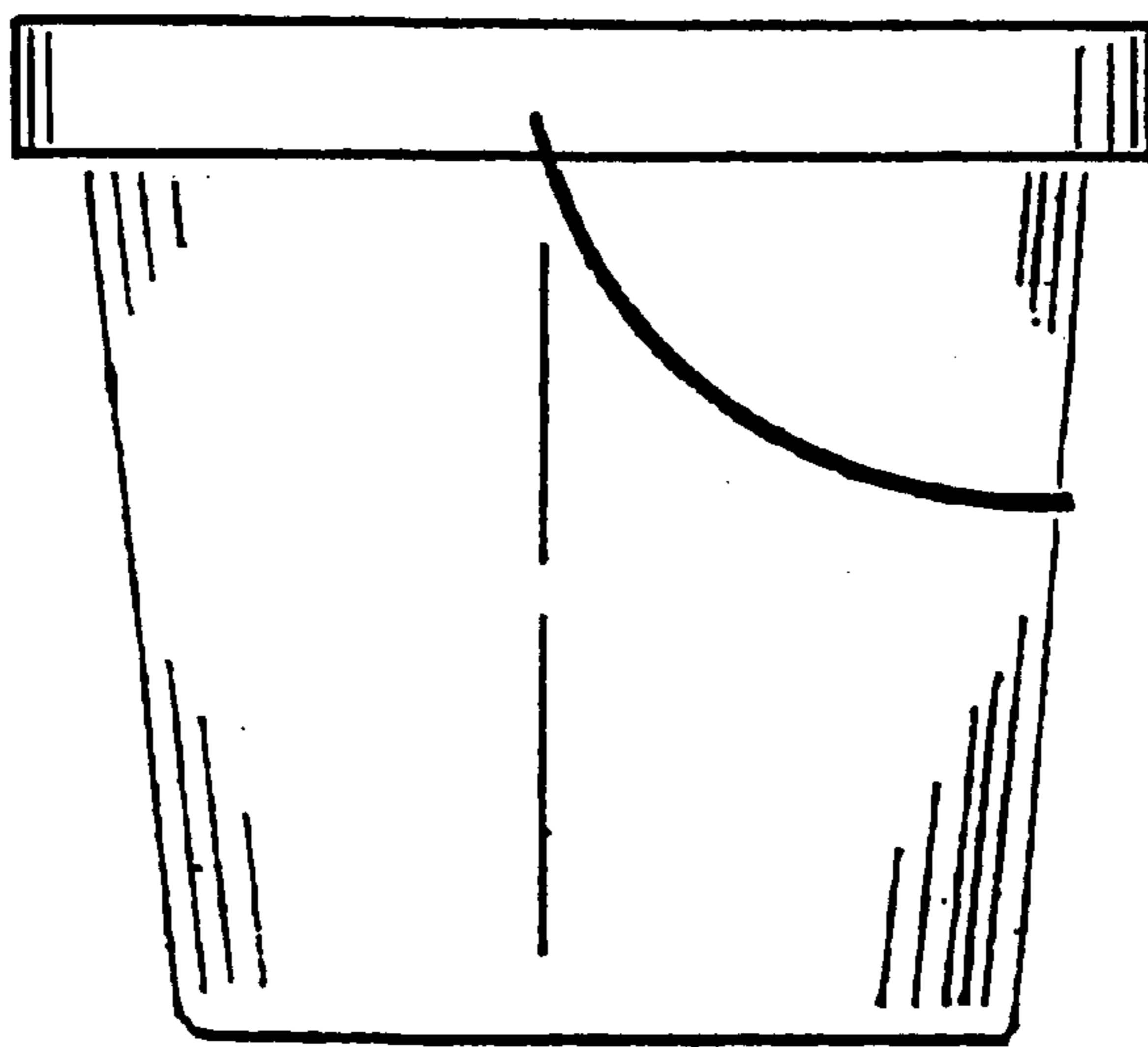


Fig. 6

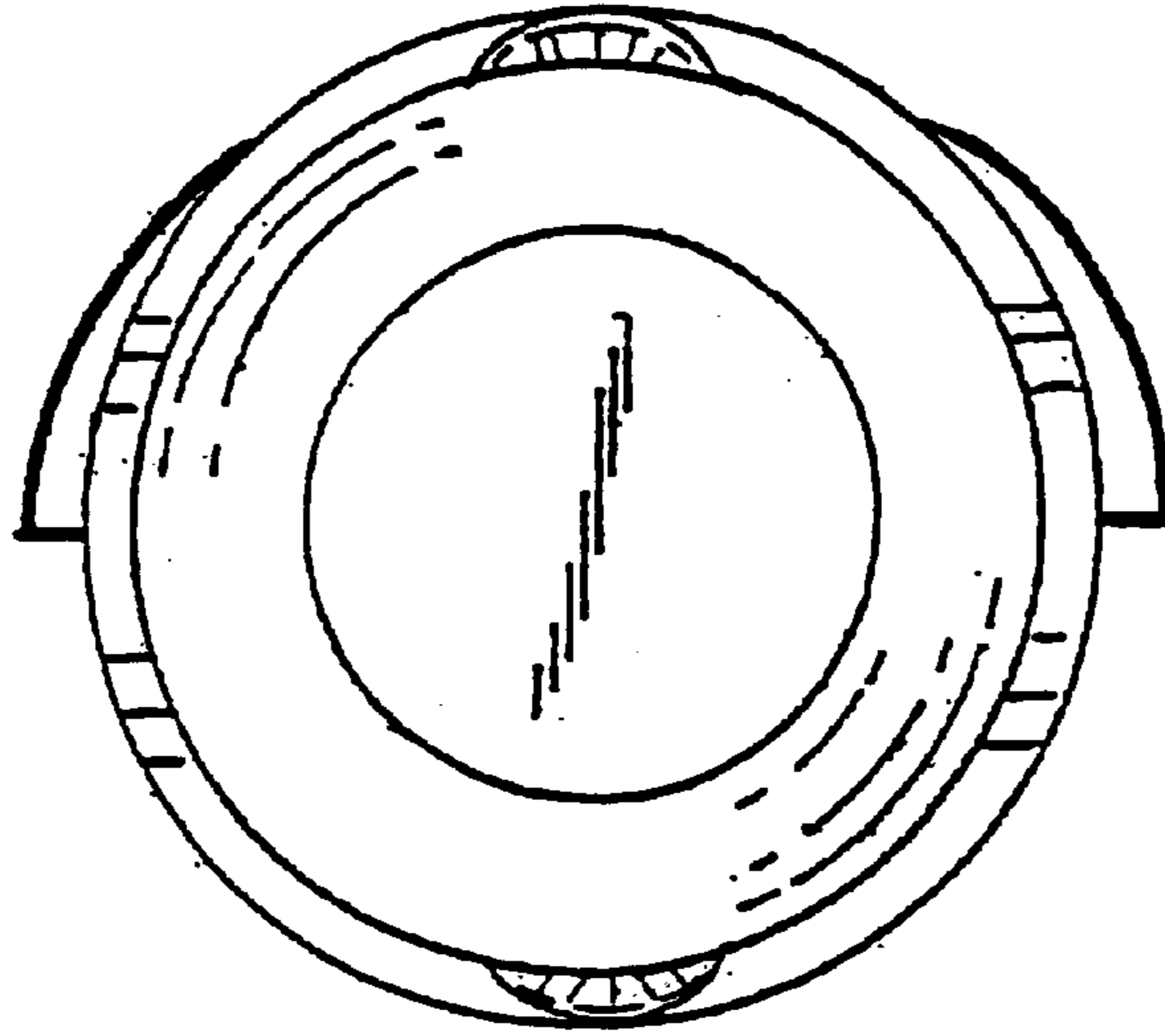


Fig. 7

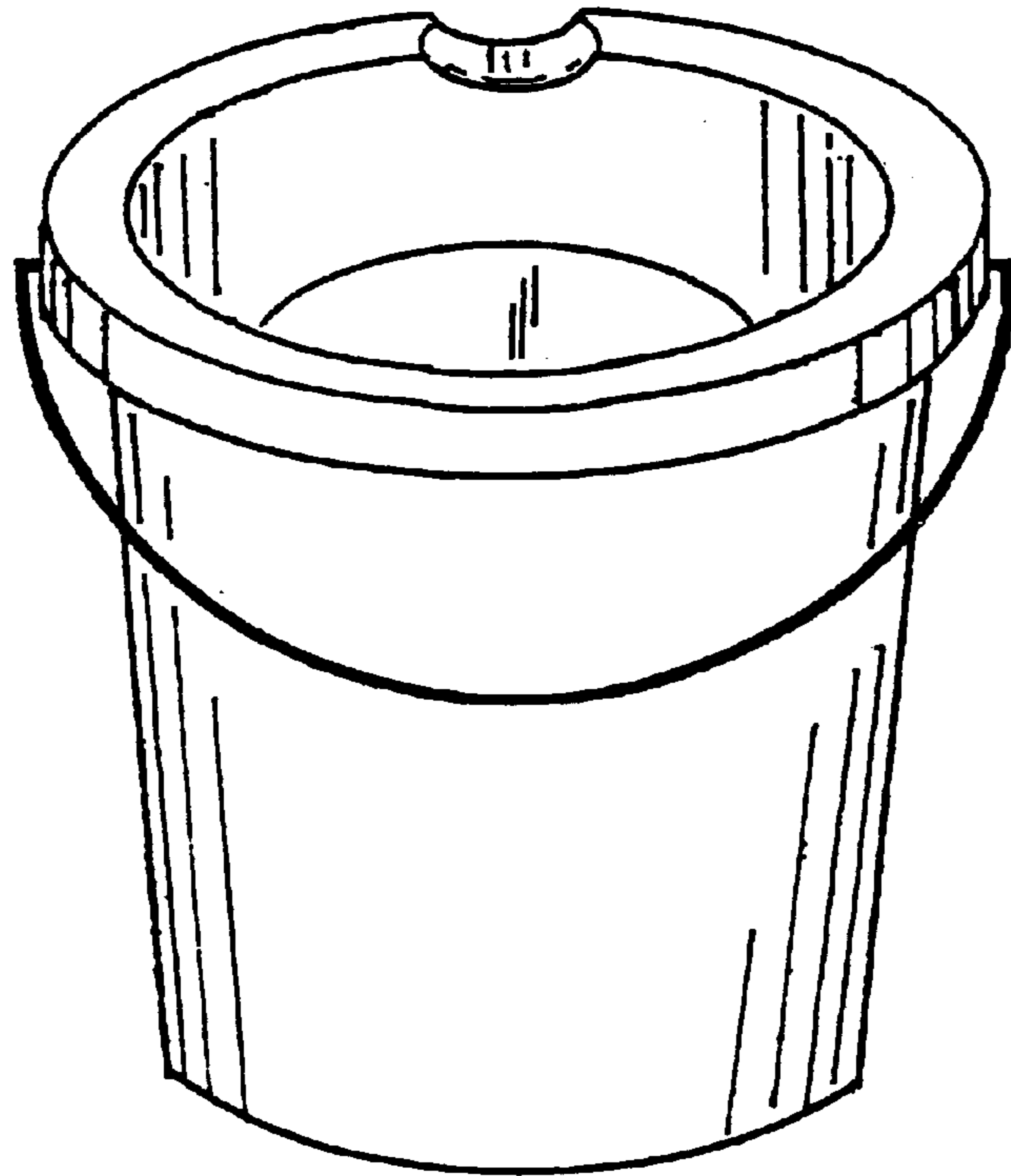


Fig. 8

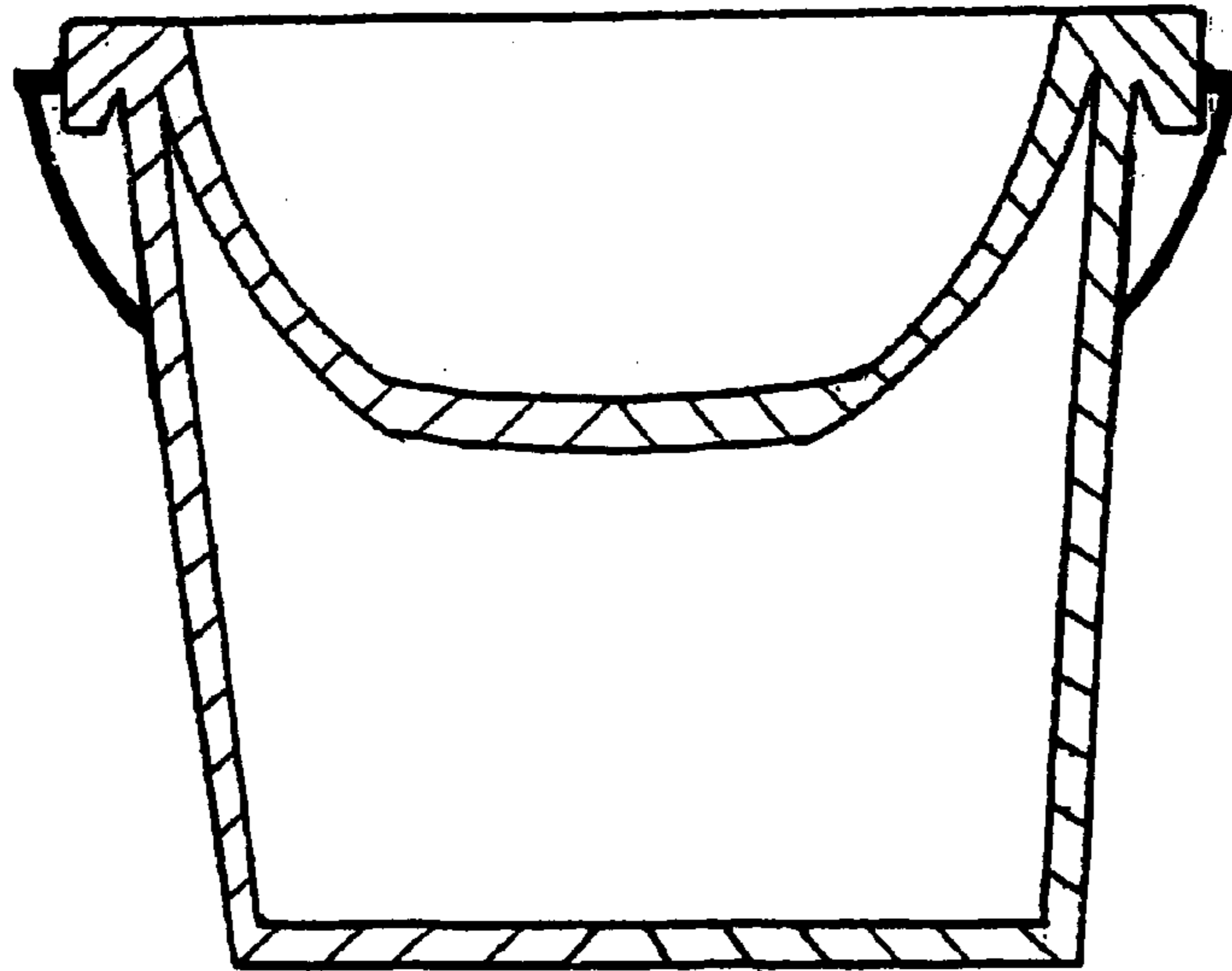


Fig. 9

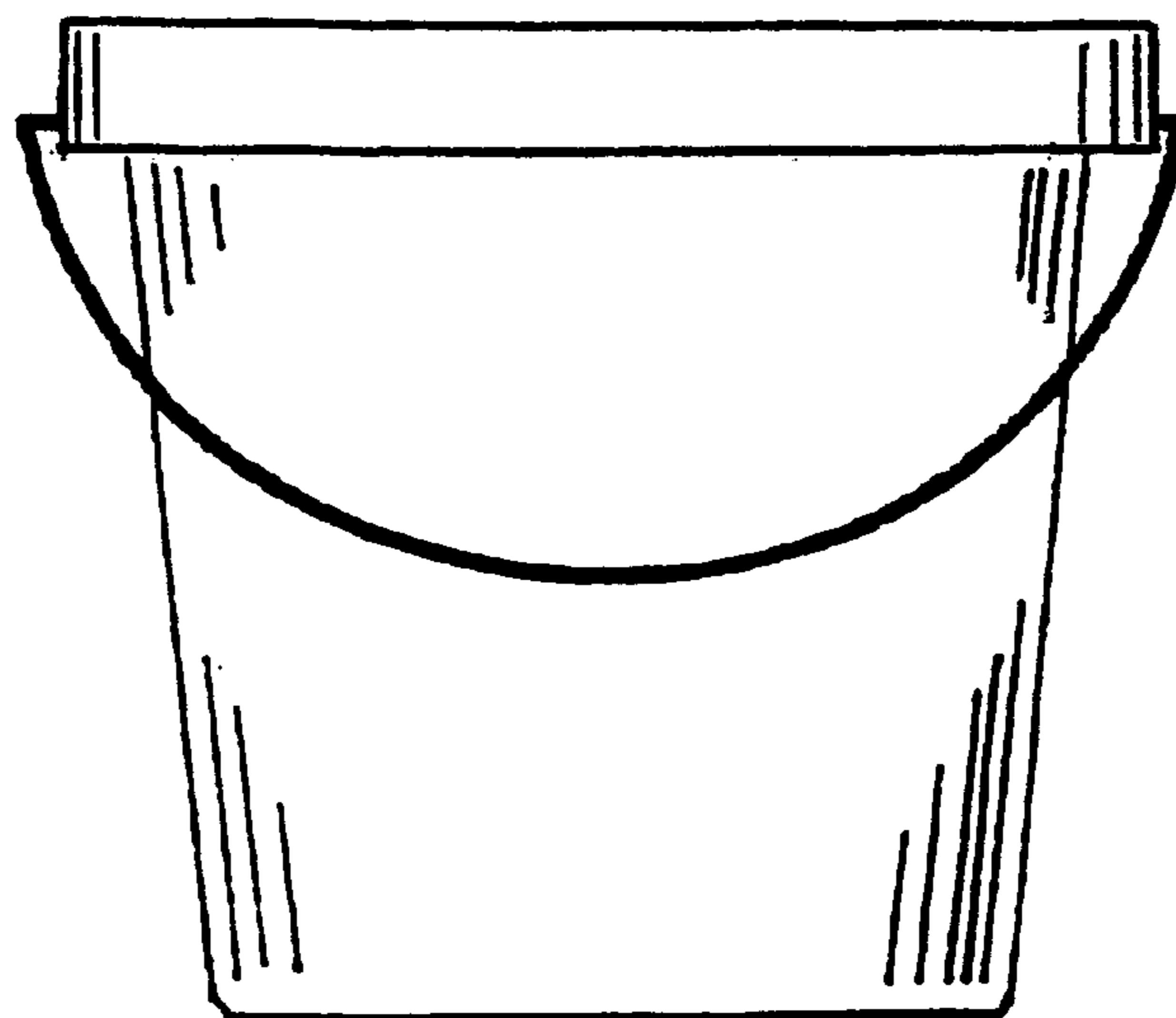


Fig. 10

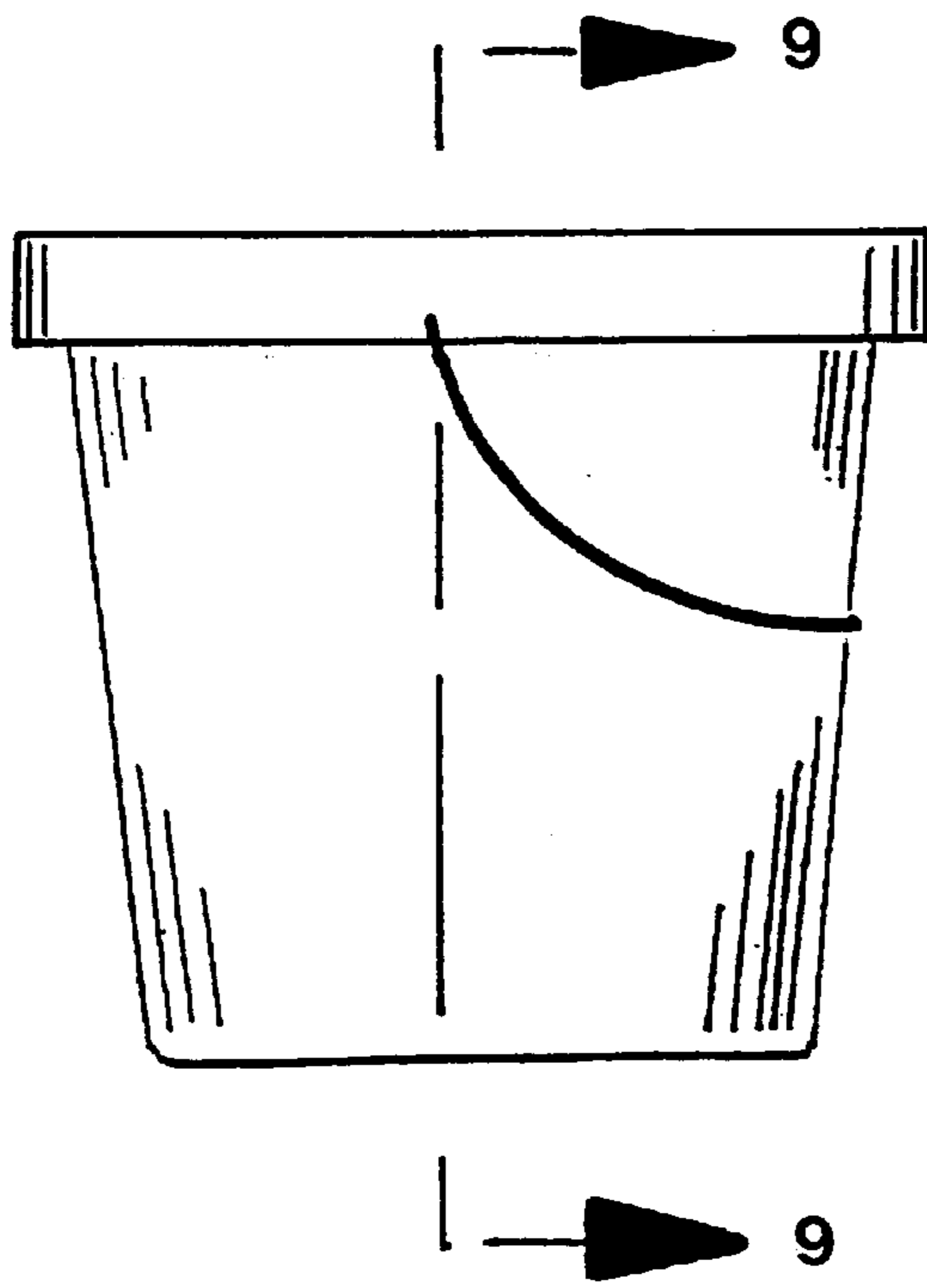


Fig. 11

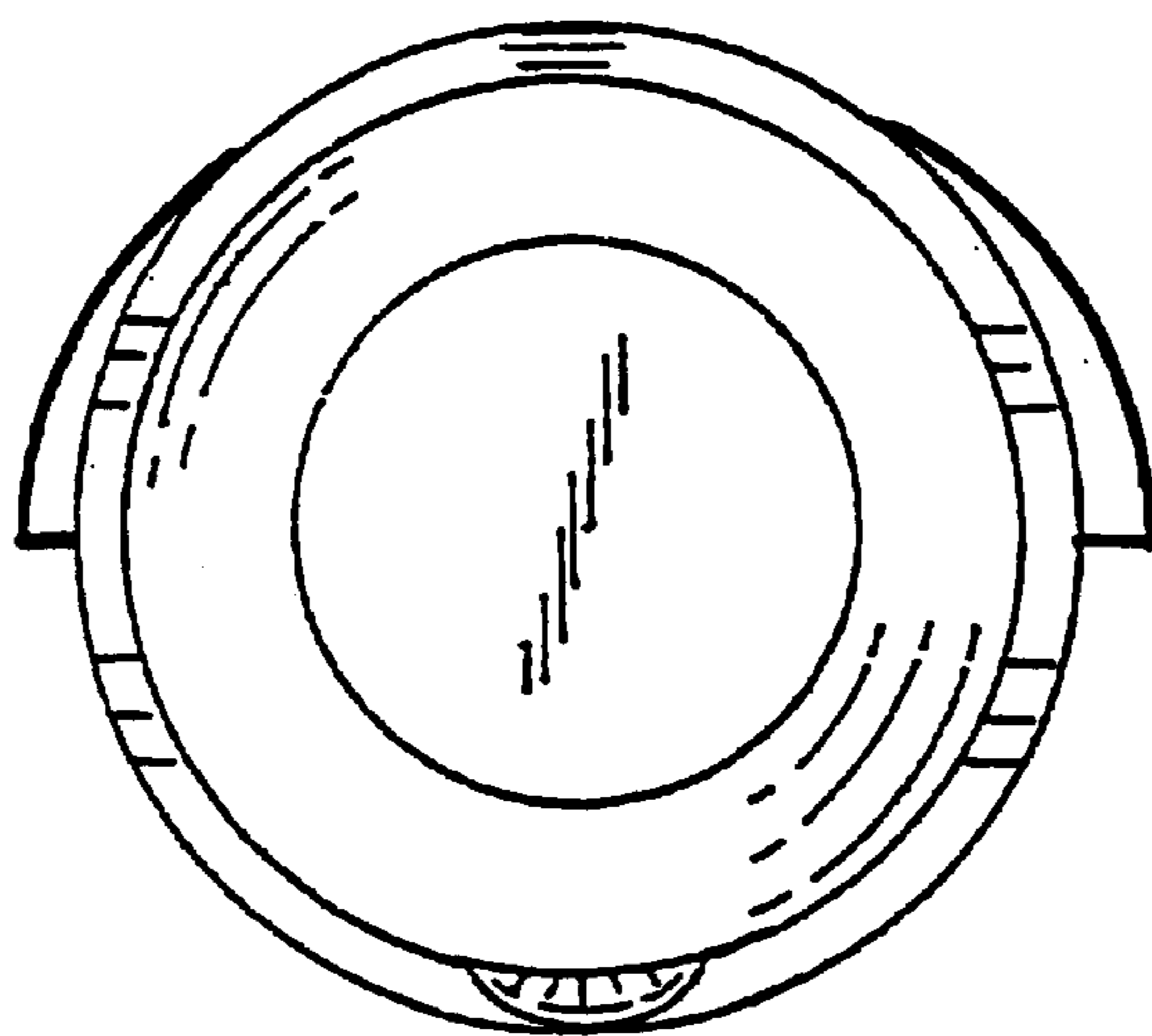


Fig. 12

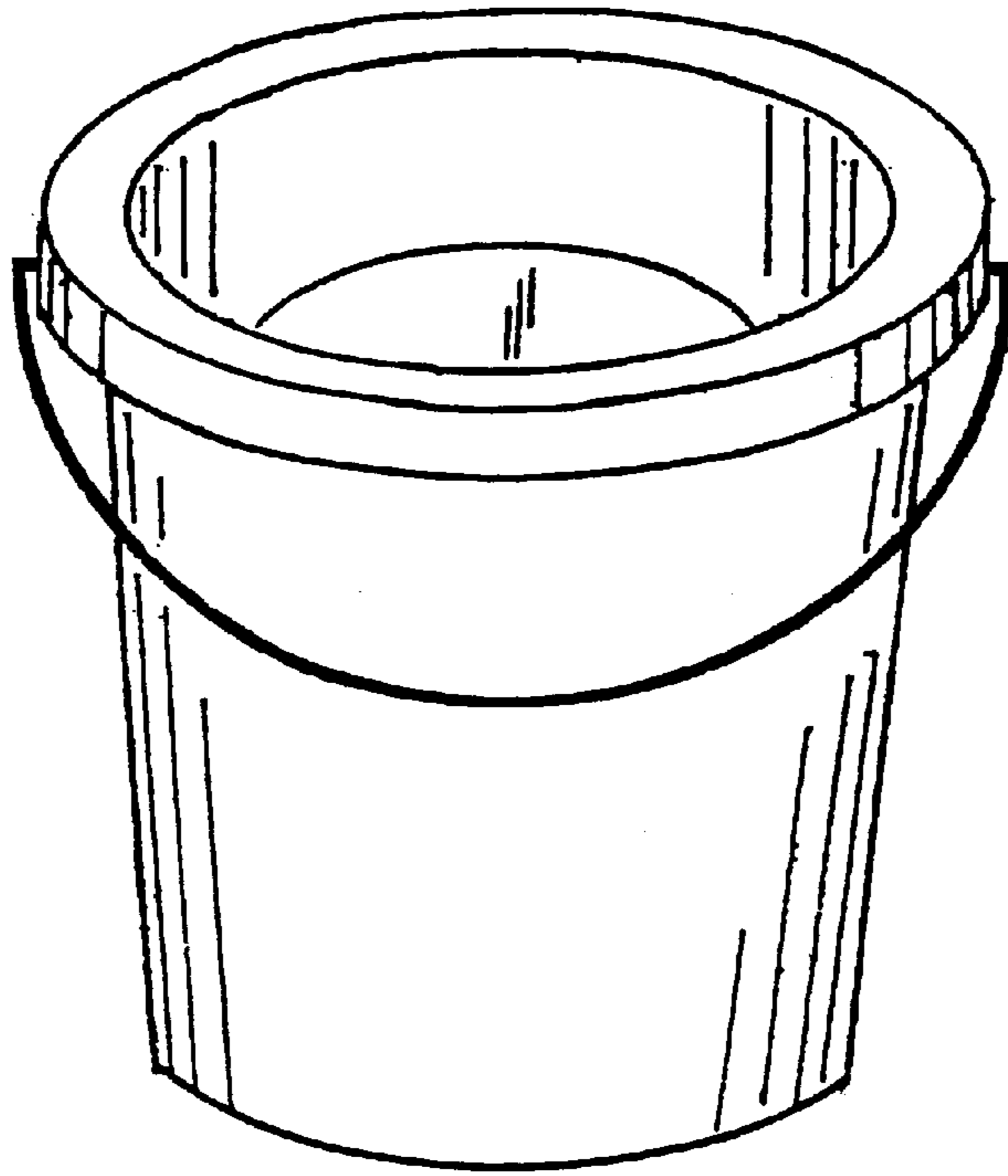


Fig. 13

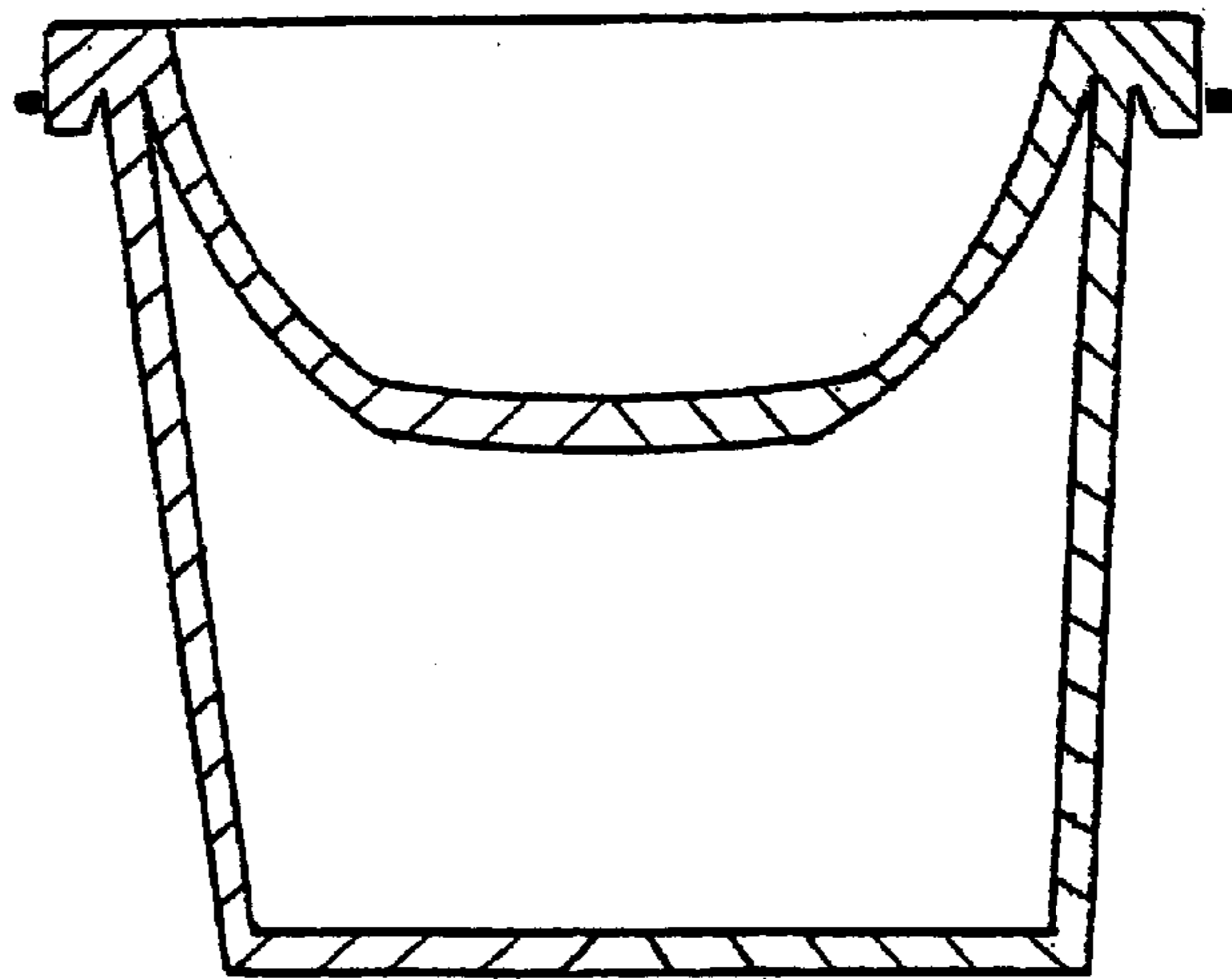


Fig. 14

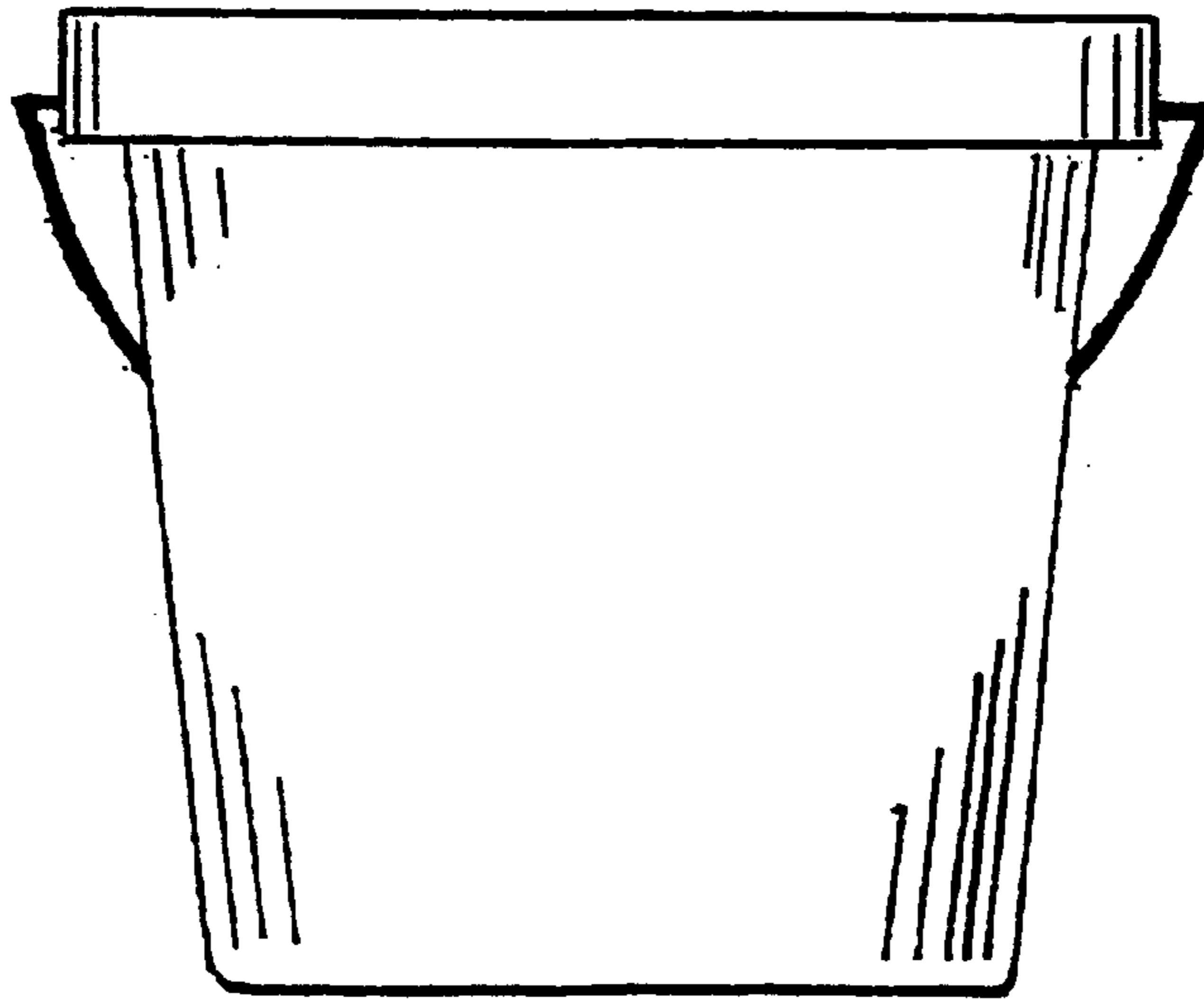


Fig. 15

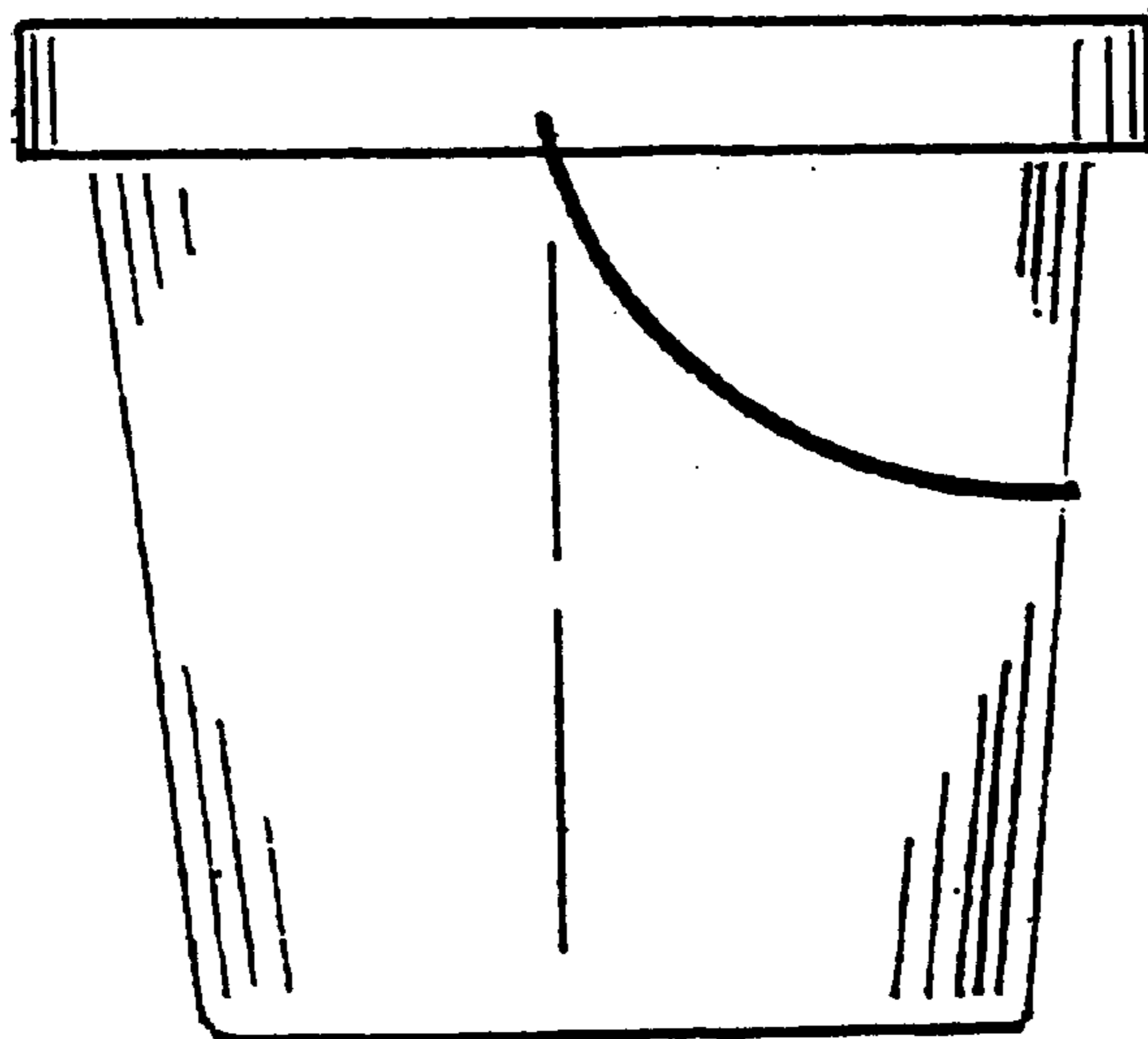


Fig. 16

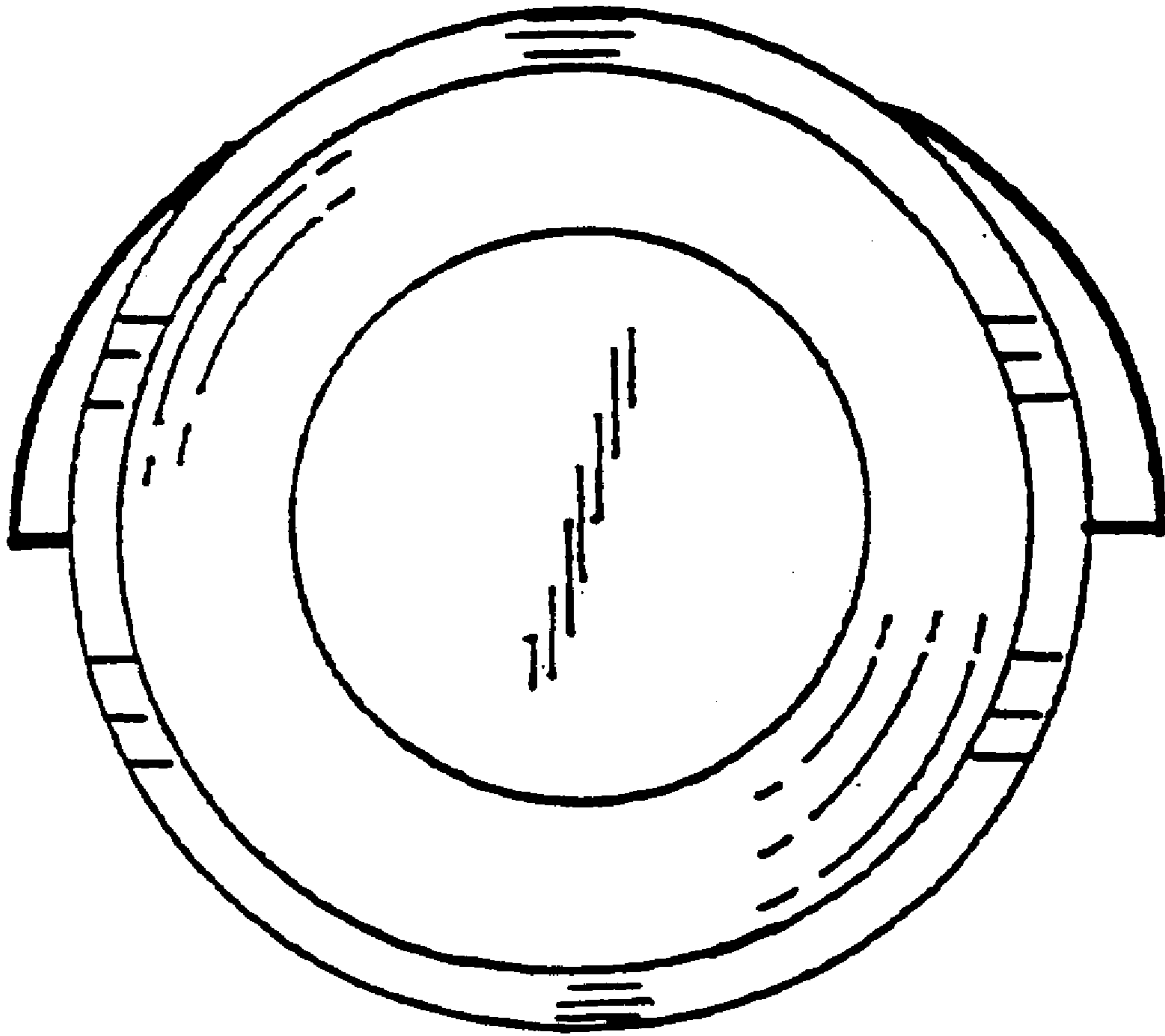


Fig. 17

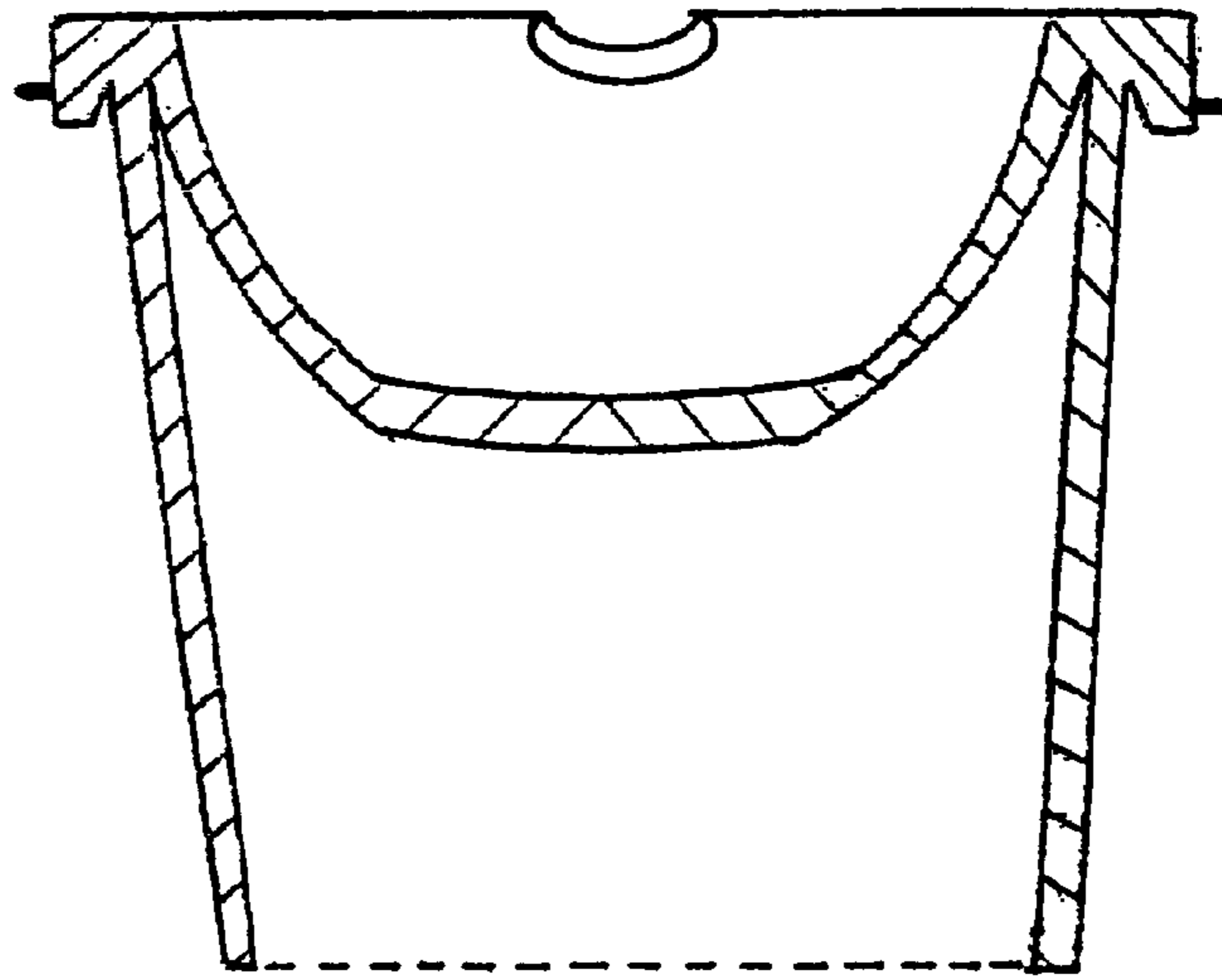


Fig. 18

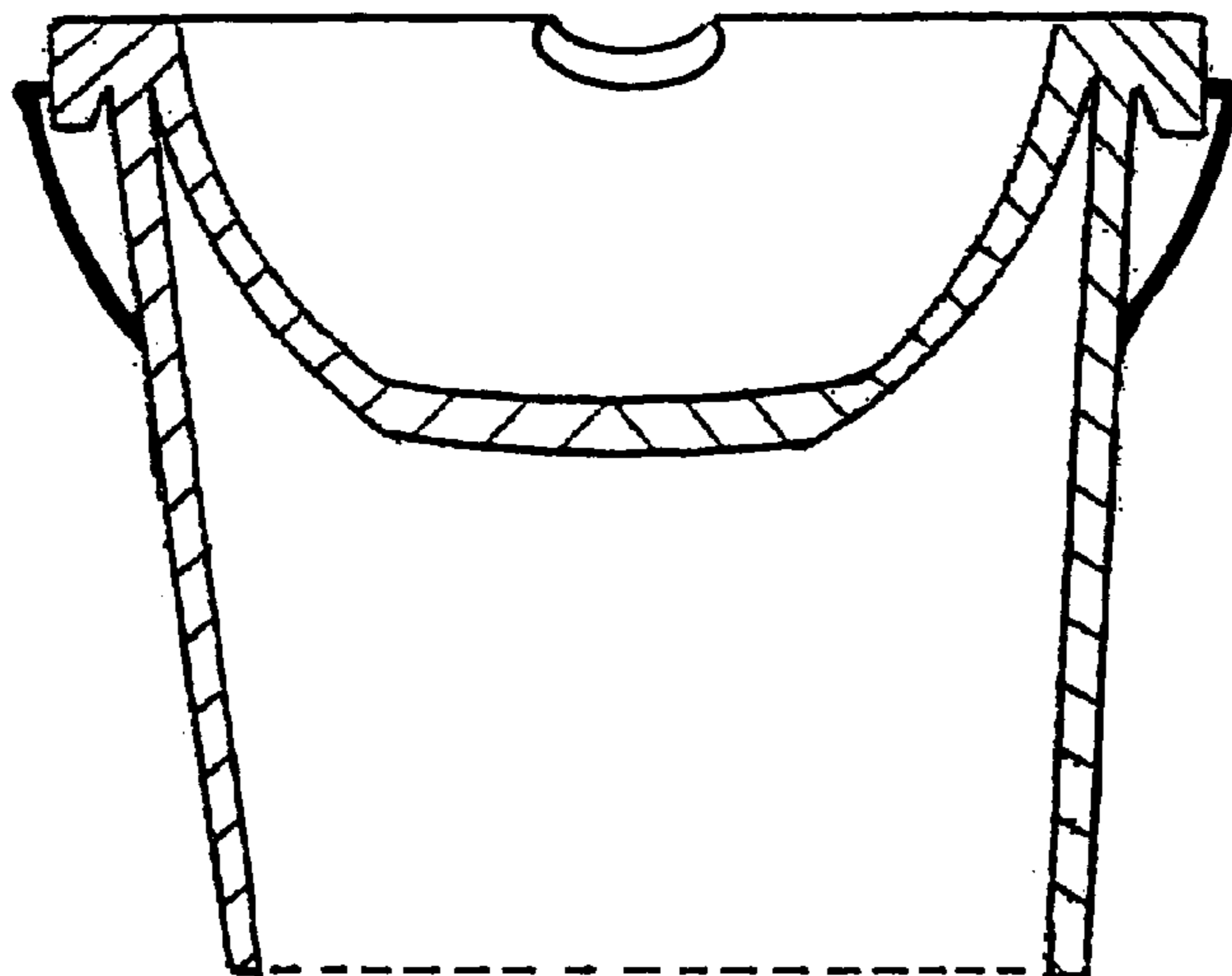


Fig. 19

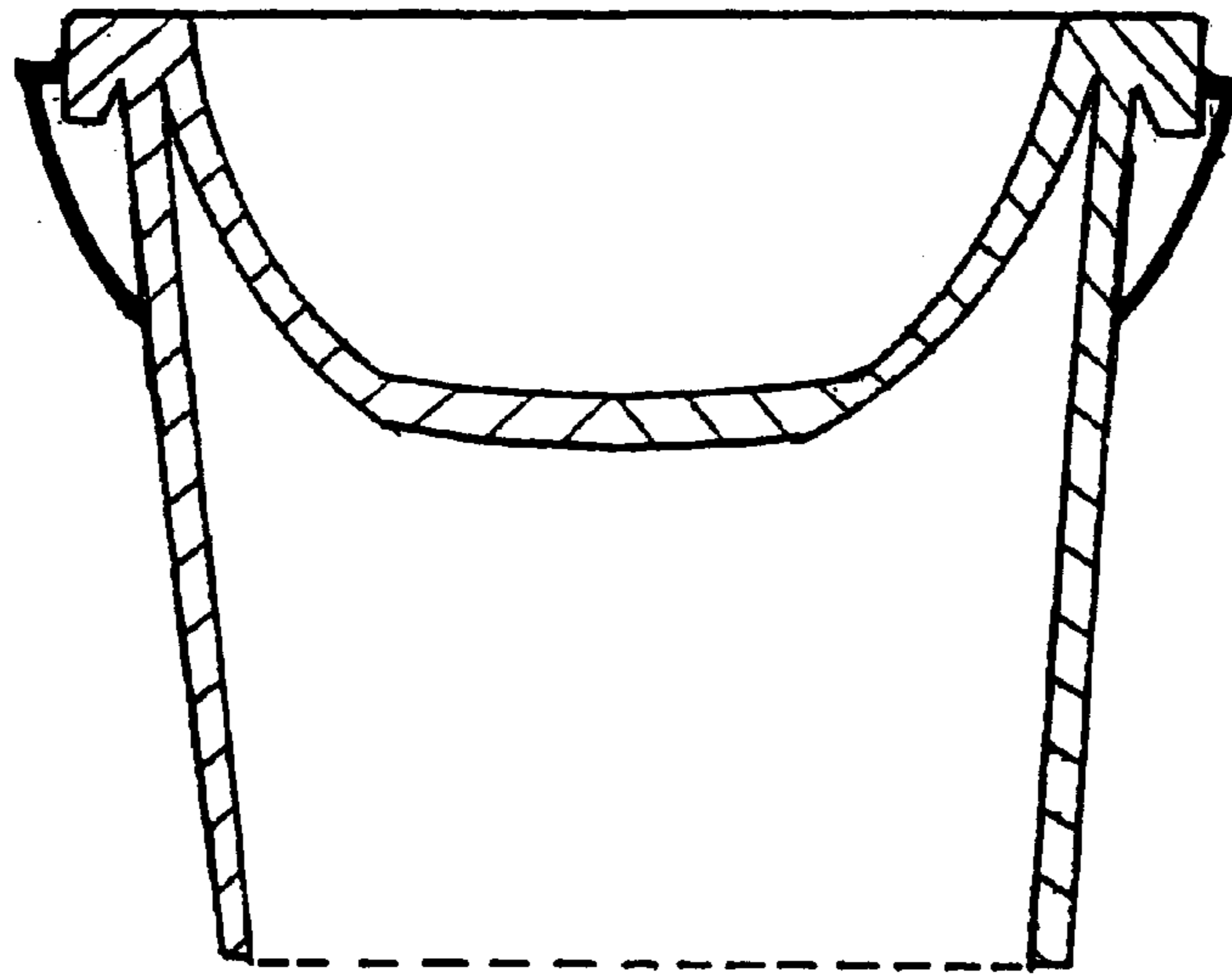


Fig. 20

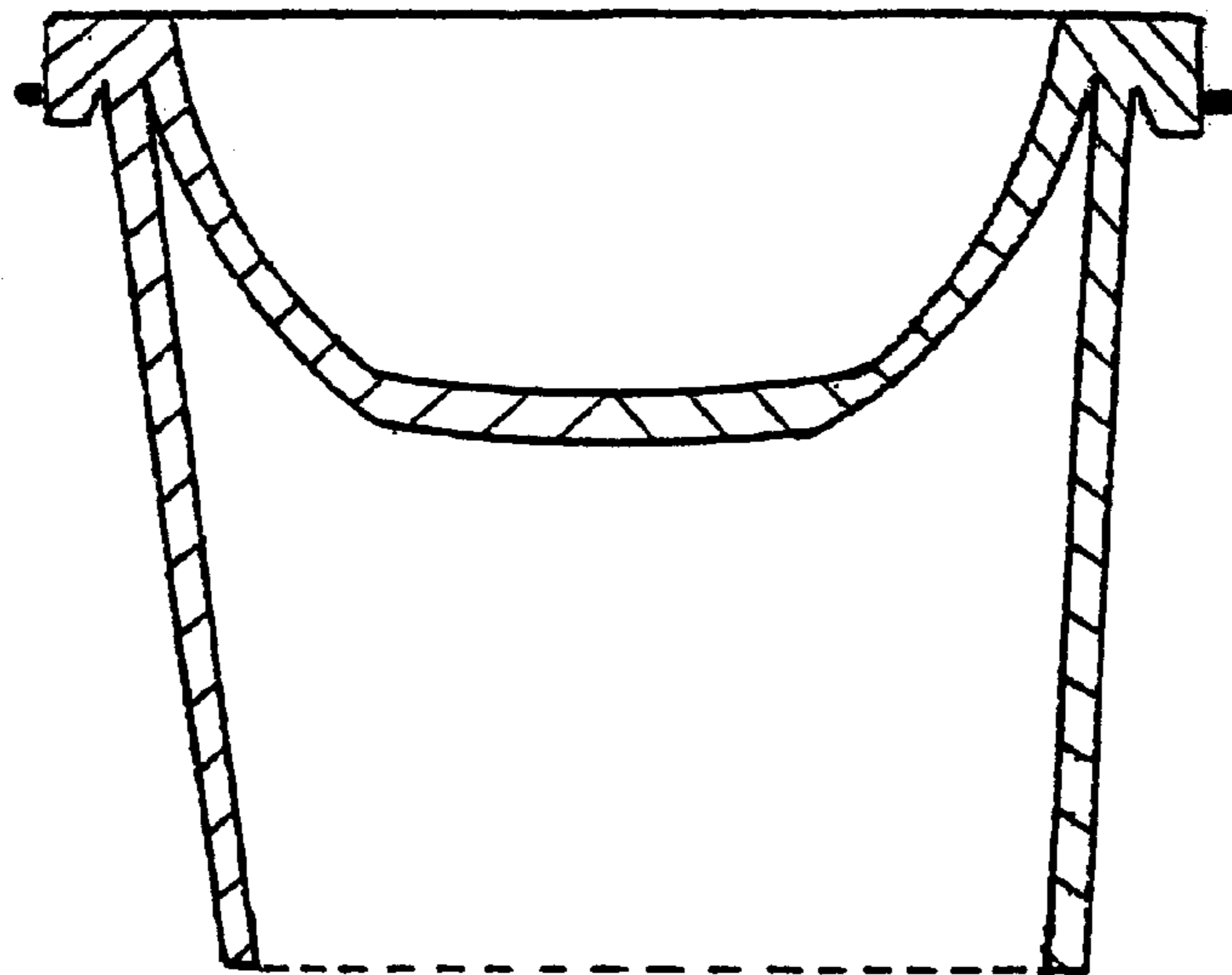


Fig. 21

UNITED STATES PATENT AND TRADEMARK OFFICE
CERTIFICATE OF CORRECTION

PATENT NO. : Des 451,648 S
DATED : December 4, 2001
INVENTOR(S) : Linda Joy Johnson

Page 1 of 1

It is certified that error appears in the above-identified patent and that said Letters Patent is hereby corrected as shown below:

Title page,
DESCRIPTION,
Change "right" to -- left -- as follows:
-- Fig. 16 is a left elevational view thereof; --

Signed and Sealed this

Twenty-fifth Day of June, 2002

Attest:

A handwritten signature in black ink, appearing to read "James E. Rogan", with a horizontal line drawn underneath it.

Attesting Officer

JAMES E. ROGAN
Director of the United States Patent and Trademark Office