



US00D451637B1

(12) **United States Design Patent**
Angeletta

(10) **Patent No.:** **US D451,637 S**

(45) **Date of Patent:** **** Dec. 4, 2001**

(54) **LIQUID AND LOTION APPLICATOR**

(76) **Inventor:** **Joseph G. Angeletta**, 418 Fifth St.,
Mamaroneck, NY (US) 10543

(**) **Term:** **14 Years**

(21) **Appl. No.:** **29/125,030**

(22) **Filed:** **Jun. 16, 2000**

(51) **LOC (7) Cl.** **28-02**

(52) **U.S. Cl.** **D28/7**

(58) **Field of Search** D28/7, 63; D32/40,
D32/45, 51, 52; D4/114; D24/119; 132/320;
15/143.1, 244.1, 244.4, 210.1; D9/338;
401/6

(56) **References Cited**

U.S. PATENT DOCUMENTS

- D. 252,250 * 7/1979 Hobbs D32/45
- D. 357,810 * 5/1995 Evans D4/114
- D. 394,331 * 5/1998 Price D28/63

- D. 417,703 * 11/1999 Sachs et al. D28/7
- D. 434,525 * 11/2000 Angeletta D28/7
- 5,931,591 * 8/1999 McCracken 401/6
- 5,961,235 * 10/1999 Kennedy 28/7

* cited by examiner

Primary Examiner—Paula A. Mortimer

(74) *Attorney, Agent, or Firm*—Scully, Scott, Murphy & Presser

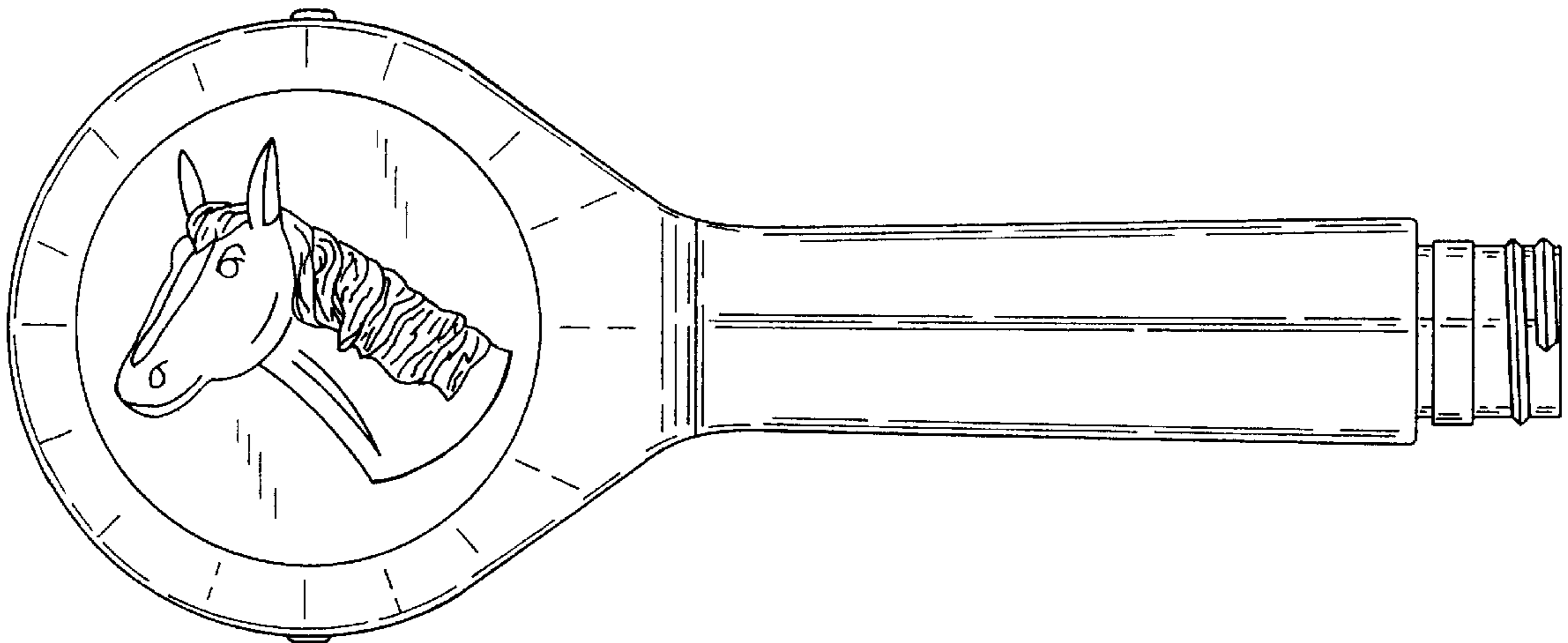
(57) **CLAIM**

The ornamental design for a liquid and lotion applicator, as shown and described.

DESCRIPTION

FIG. 1 is a front elevational view of a liquid and lotion applicator showing my new design; FIG. 2 is a side elevational view thereof, the opposite side is a mirror image; and, FIG. 3 is a bottom plan view thereof.

1 Claim, 2 Drawing Sheets



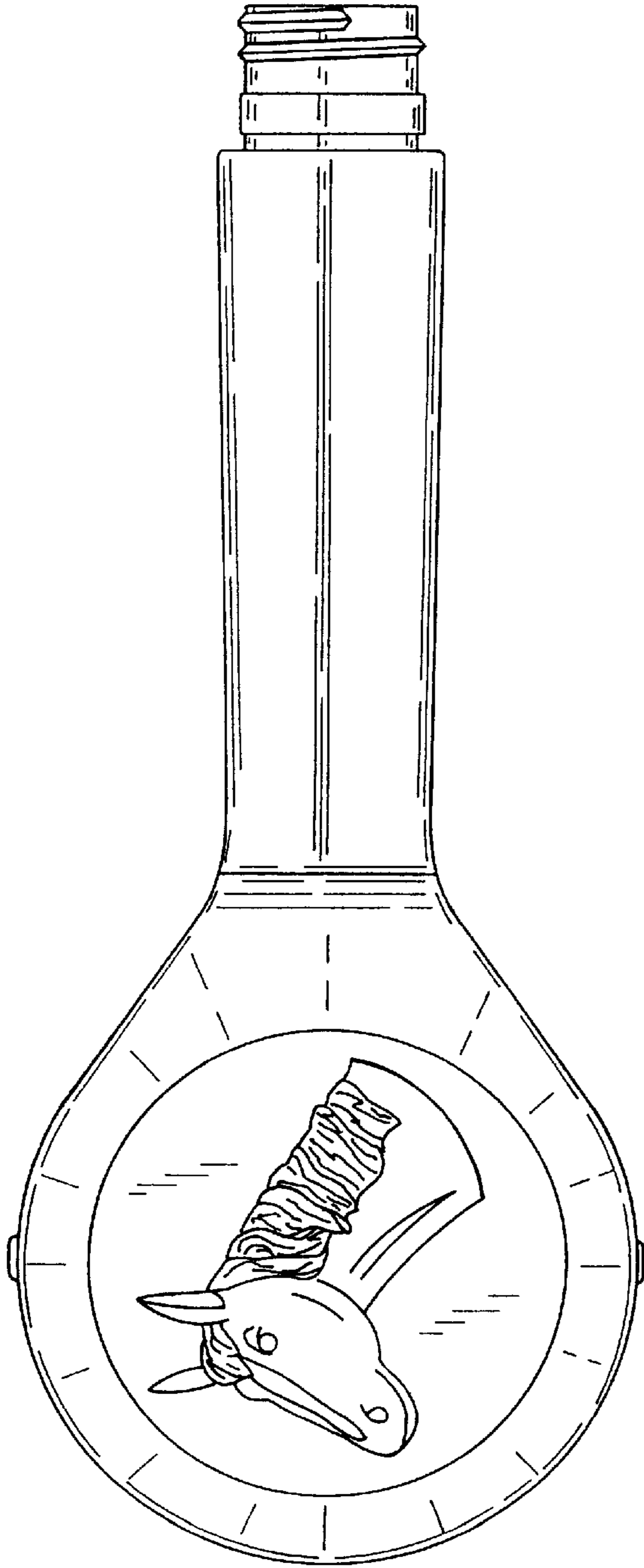


FIG. 1

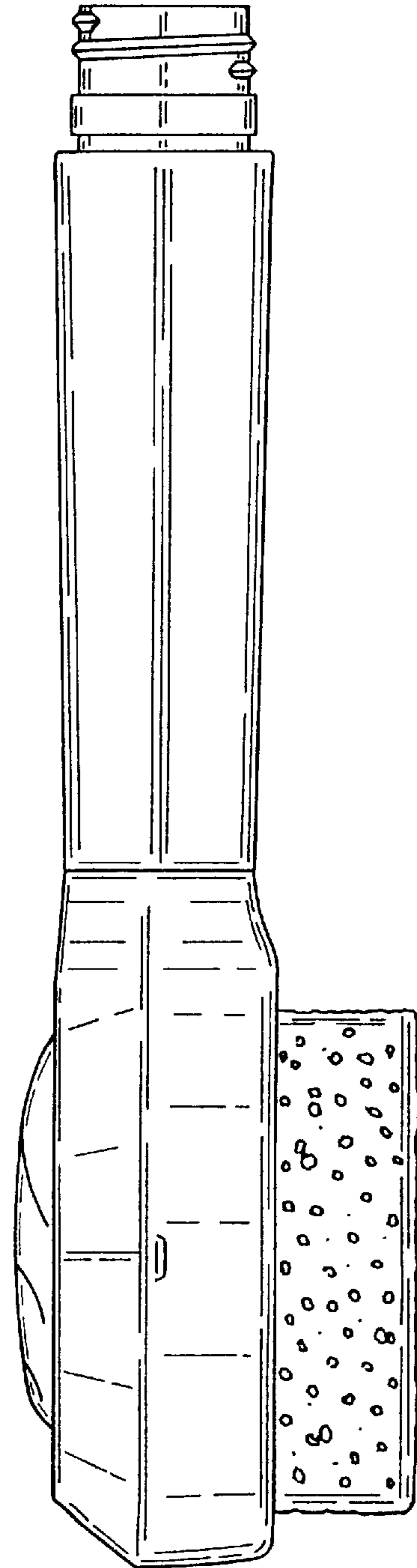


FIG. 2

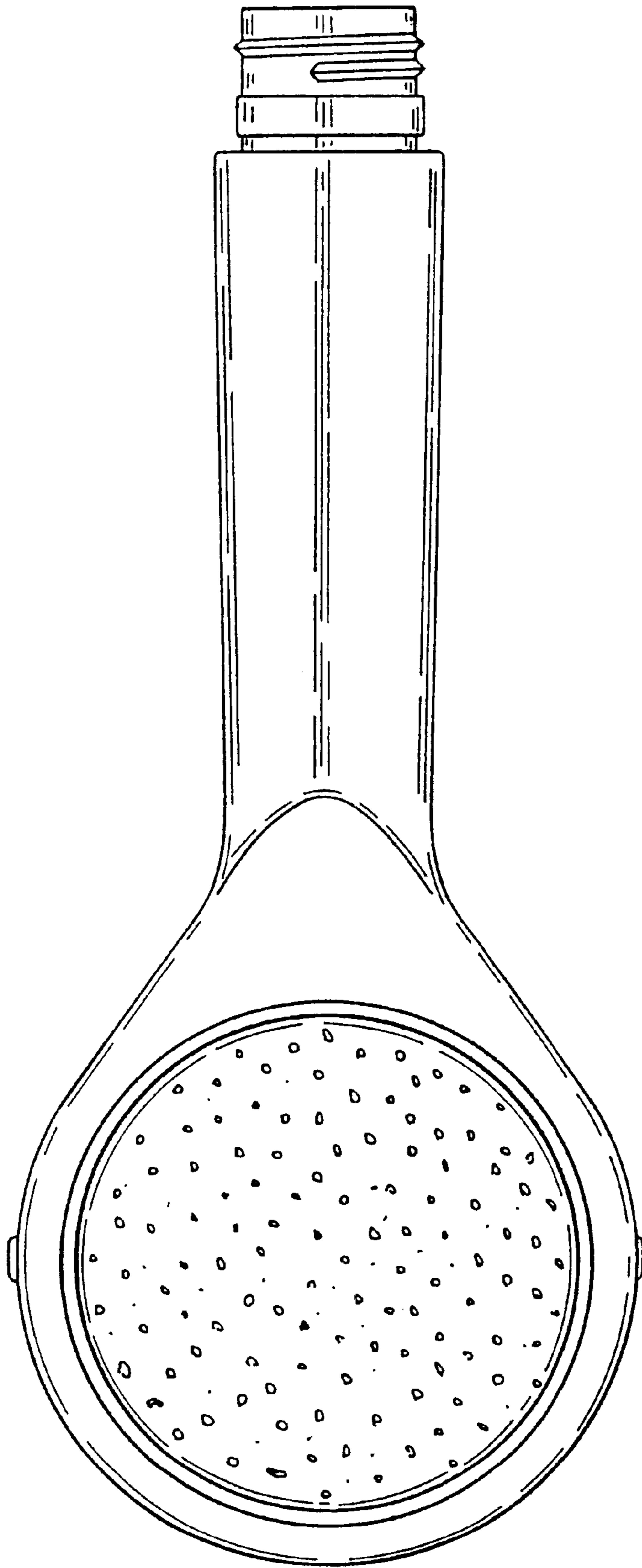


FIG. 3