



US00D451628B1

(12) **United States Design Patent**  
**Hutton**

(10) **Patent No.:** **US D451,628 S**

(45) **Date of Patent:** **\*\* Dec. 4, 2001**

(54) **LAMP BASE**

D. 325,103 \* 3/1992 Winn et al. .... D26/102  
D. 417,928 \* 12/1999 Camacho .... D26/106

(75) Inventor: **John Hutton**, West Islip, NY (US)

\* cited by examiner

(73) Assignee: **Donghia Furniture/Textiles Ltd.**, New York, NY (US)

*Primary Examiner*—Alan P. Douglas

*Assistant Examiner*—Linda Brooks

(\*\*) Term: **14 Years**

(74) *Attorney, Agent, or Firm*—Heslin Rothenberg Farley & Mesiti P.C.

(21) Appl. No.: **29/114,744**

(57) **CLAIM**

(22) Filed: **Nov. 30, 1999**

The ornamental design for a lamp base, as shown and described.

(51) **LOC (7) Cl.** ..... **26-03**

(52) **U.S. Cl.** ..... **D26/110**

(58) **Field of Search** ..... D26/92-112, 145;  
362/410-414, 431, 806

**DESCRIPTION**

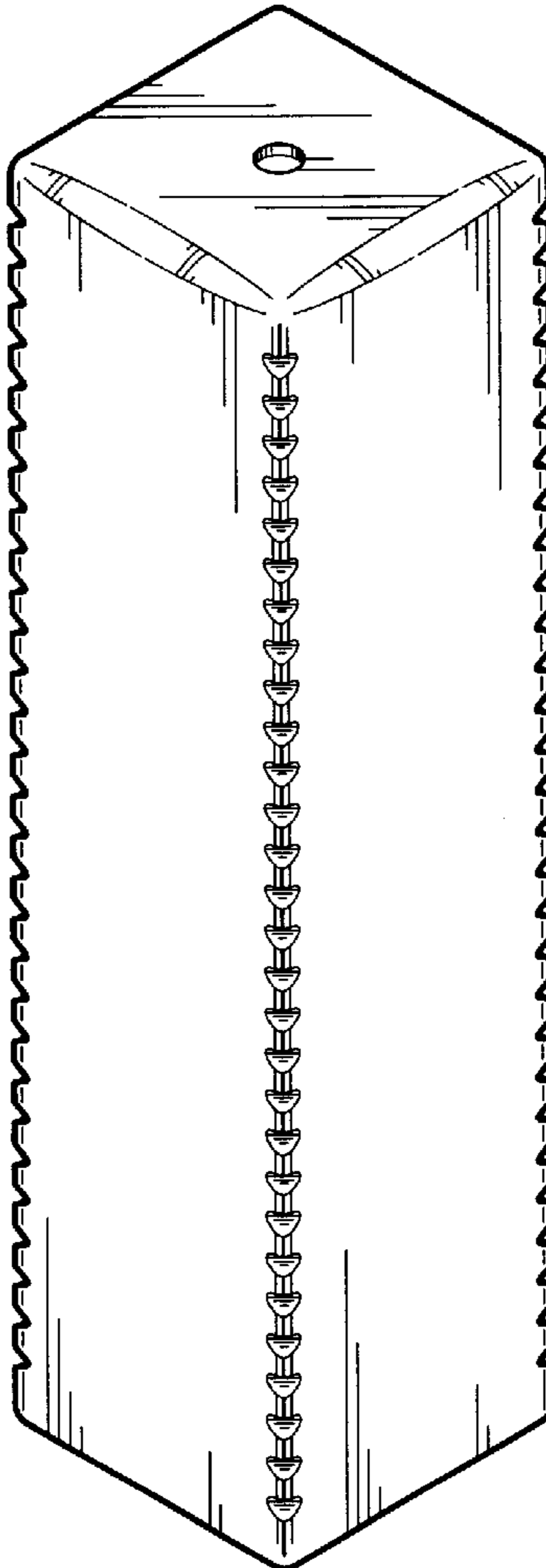
(56) **References Cited**

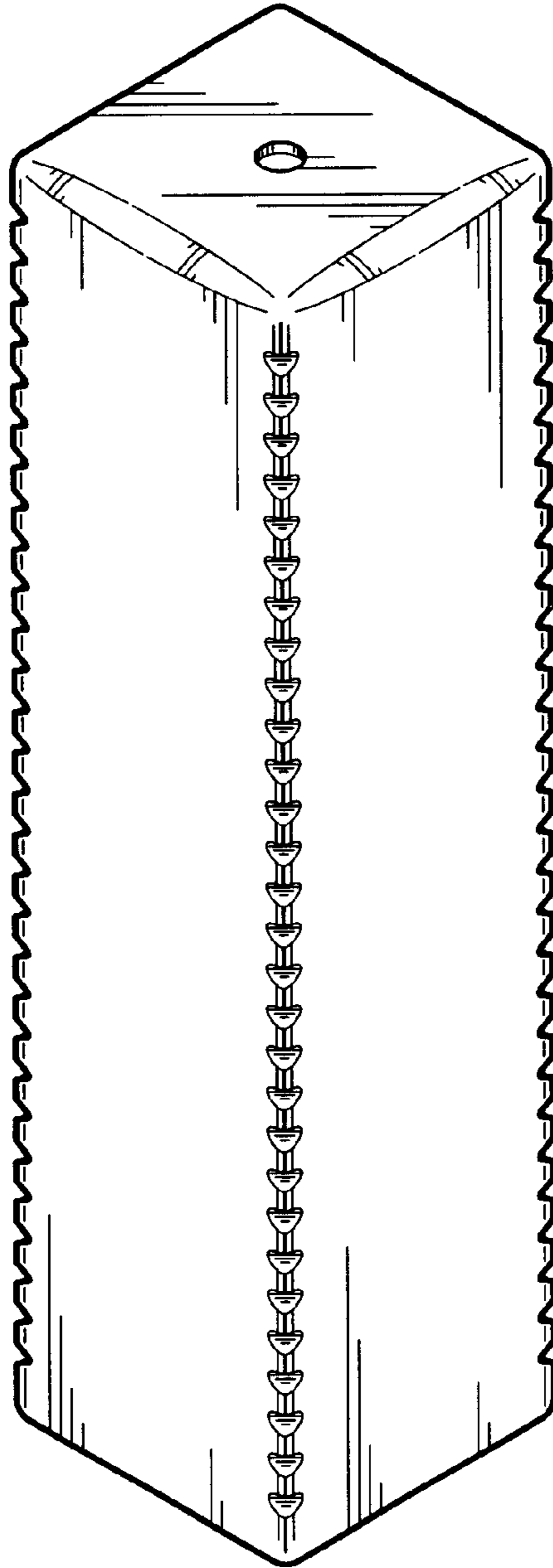
**U.S. PATENT DOCUMENTS**

- D. 39,566 \* 9/1908 Verbeck ..... D26/110
- D. 177,744 \* 5/1956 Minea ..... D26/106
- D. 179,869 \* 3/1957 Vondy et al. .... D26/105

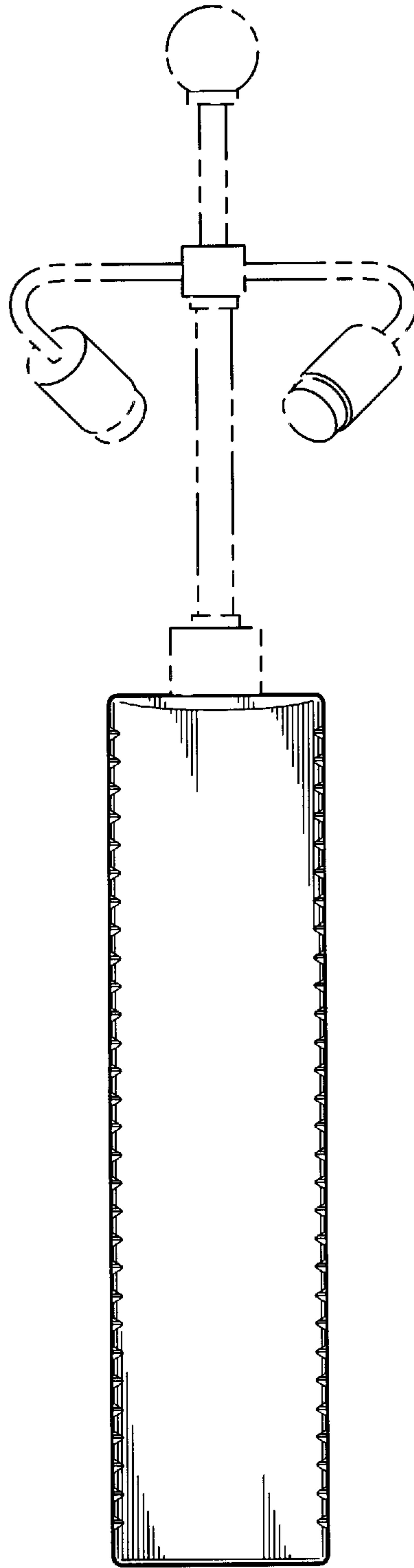
FIG. 1 is a perspective view of the lamp base comprising my new design;  
FIG. 2 is an elevational view of one side of my lamp base design, all other sides being identical thereto; and,  
FIG. 3 is a top plan view of my lamp base design.  
The broken lines shown in FIG. 2 are for illustrative purposes only and form no part of the claimed design.

**1 Claim, 3 Drawing Sheets**

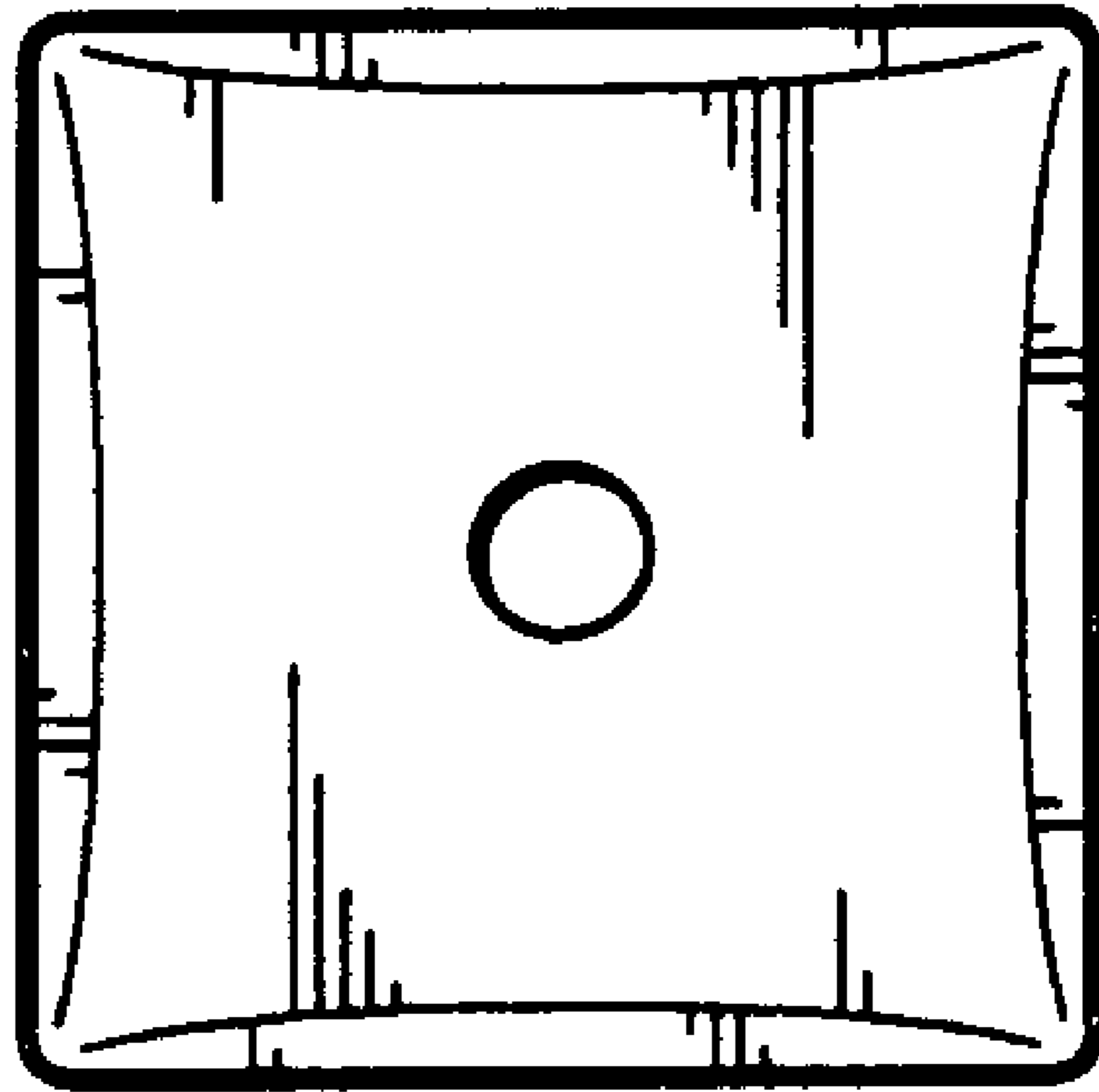




*Fig. 1*



***Fig. 2***



***Fig. 3***