



US00D451627B1

(12) **United States Design Patent**
Dolan

(10) **Patent No.:** **US D451,627 S**

(45) **Date of Patent:** **** Dec. 4, 2001**

(54) **DESK LAMP**

(76) **Inventor:** **Patrick S. Dolan**, 1901 NW. Upshur St., Portland, OR (US) 97209

(**) **Term:** **14 Years**

(21) **Appl. No.:** **29/134,942**

(22) **Filed:** **Dec. 29, 2000**

(51) **LOC (7) Cl.** **26-03**

(52) **U.S. Cl.** **D26/106**

(58) **Field of Search** D26/93, 102-112, D26/142, 61-66; 362/410-414, 431

(56) **References Cited**

U.S. PATENT DOCUMENTS

D. 268,287 * 3/1983 Boschetti D26/64 X

OTHER PUBLICATIONS

Murray Feiss, Bronx NY, Cat. vol. 2000, 2000, Model 8711, p. 209.

Meyda Tiffany, Yorkville, NY, Cat. D, p. 60, Model D60-3, 2000.

* cited by examiner

Primary Examiner—Alan P. Douglas

Assistant Examiner—Linda Brooks

(57) **CLAIM**

The ornamental design for a desk lamp, as shown and described.

DESCRIPTION

FIG. 1 is a perspective view thereof;
FIG. 2 is a front elevational view thereof;
FIG. 3. is a right side view, the left side view being a mirror image;

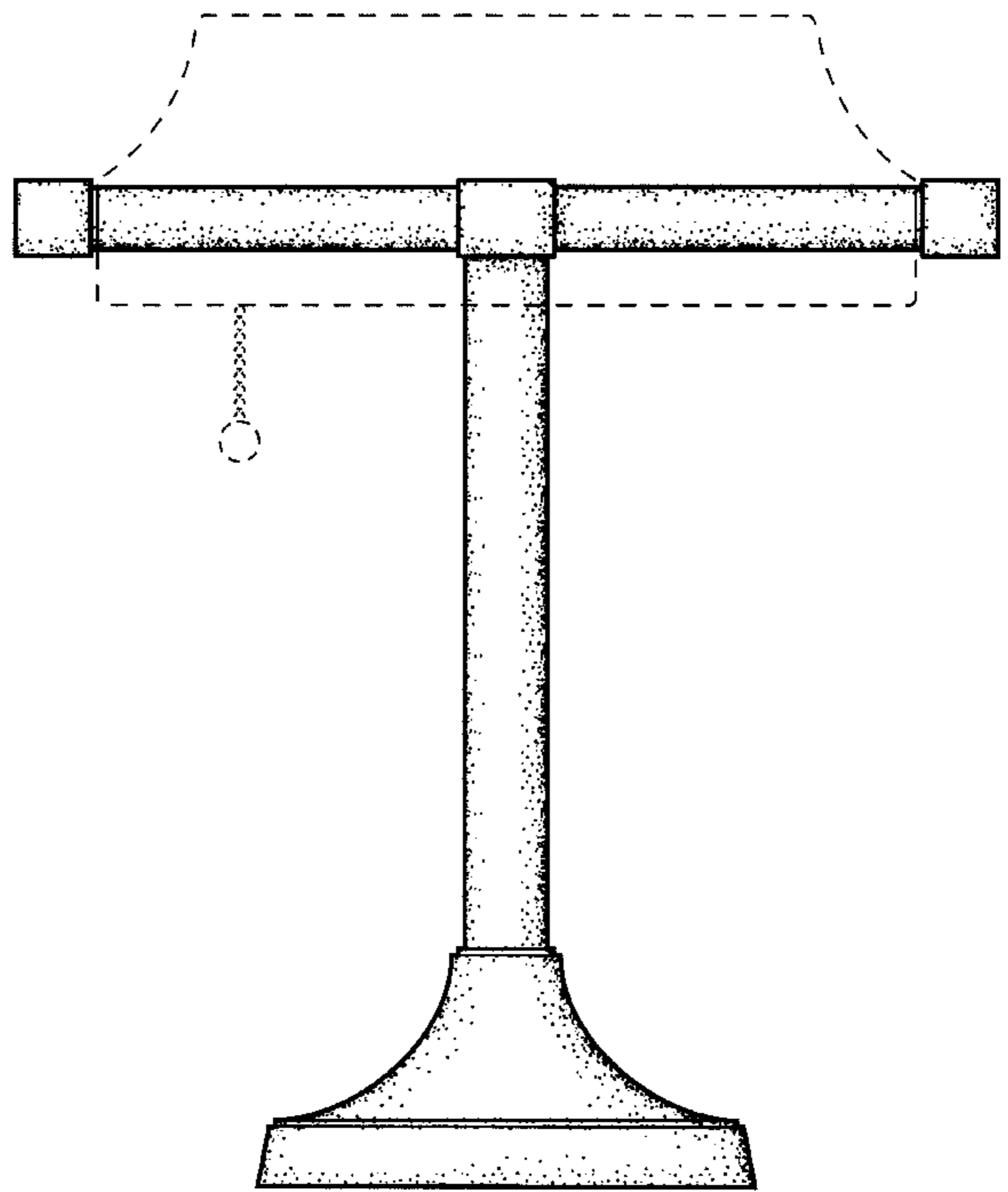
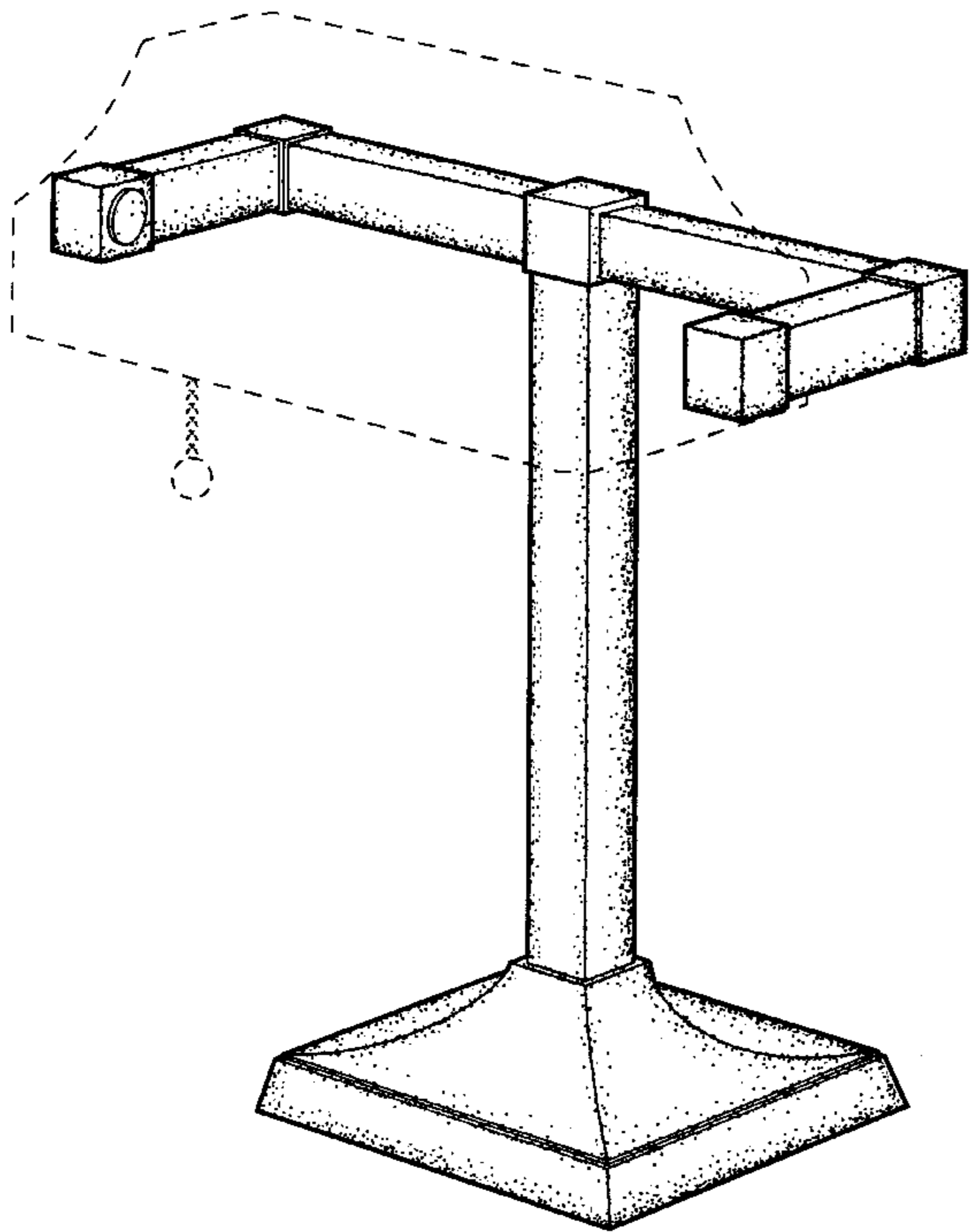
FIG. 4 is a back view thereof;

FIG. 5 is a top plan view thereof; and,

FIG. 6 is a bottom plan view thereof.

The broken lines shown in the drawing are environmental only and form no part of the claimed design.

1 Claim, 6 Drawing Sheets



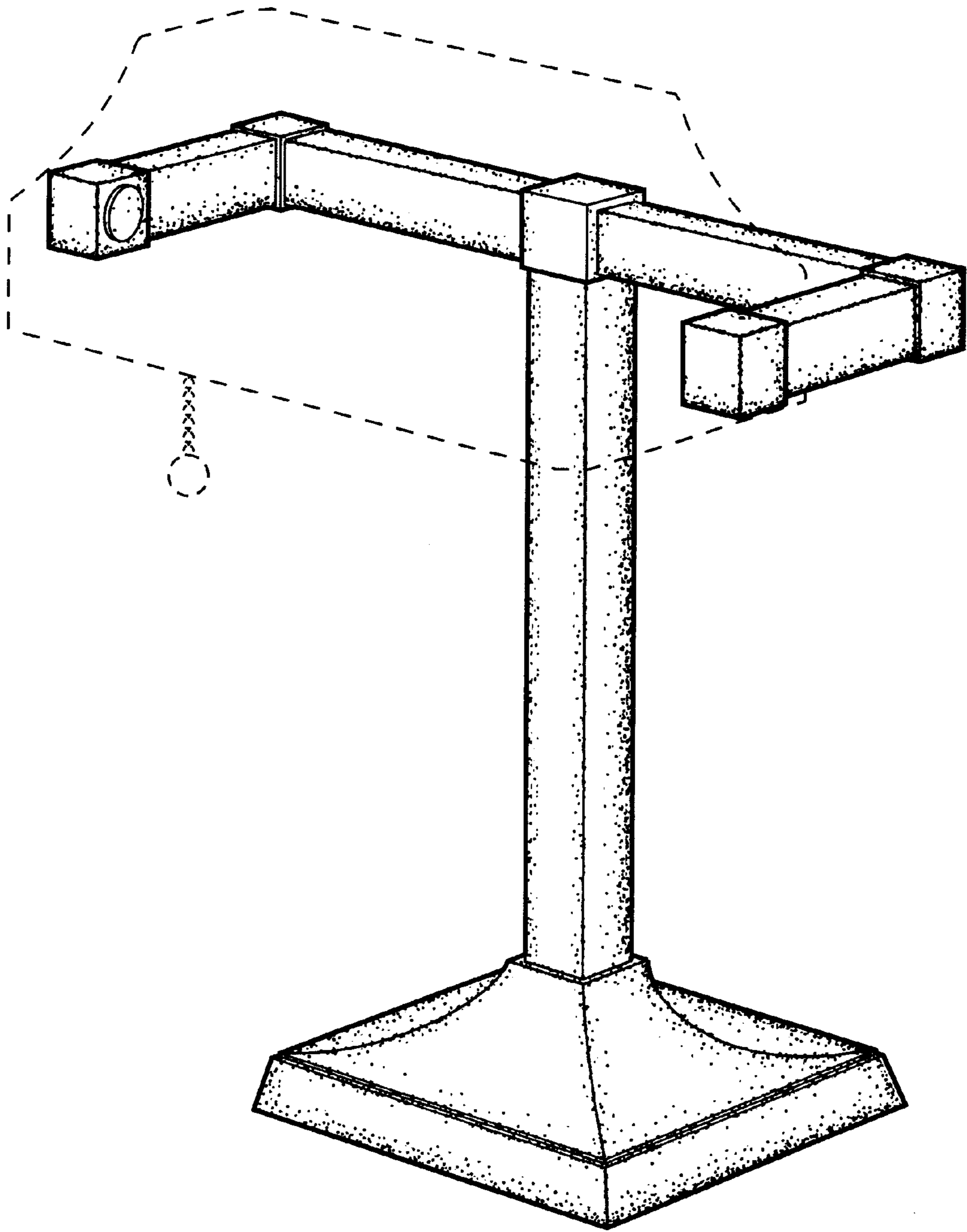


FIG. 1

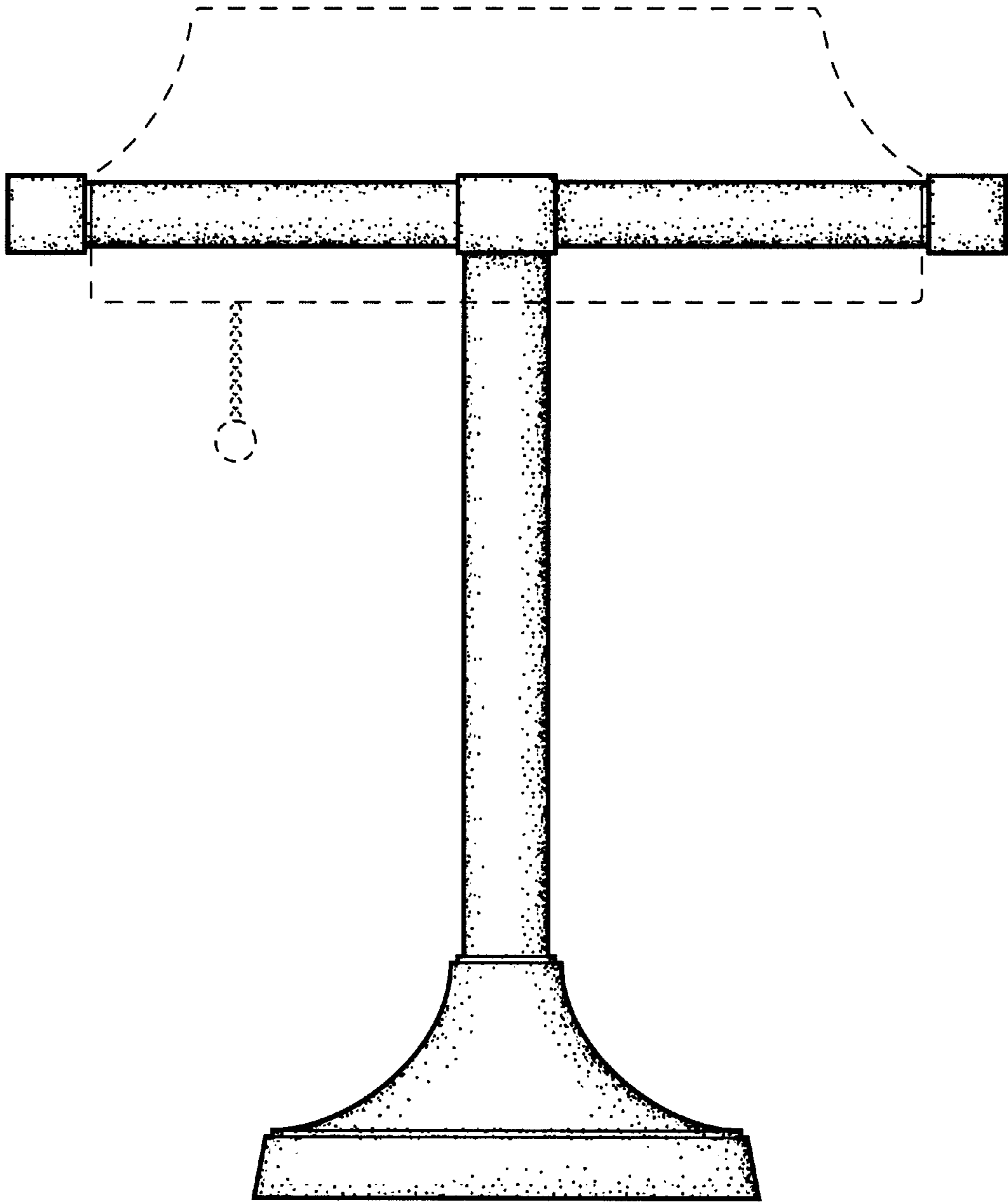


FIG. 2

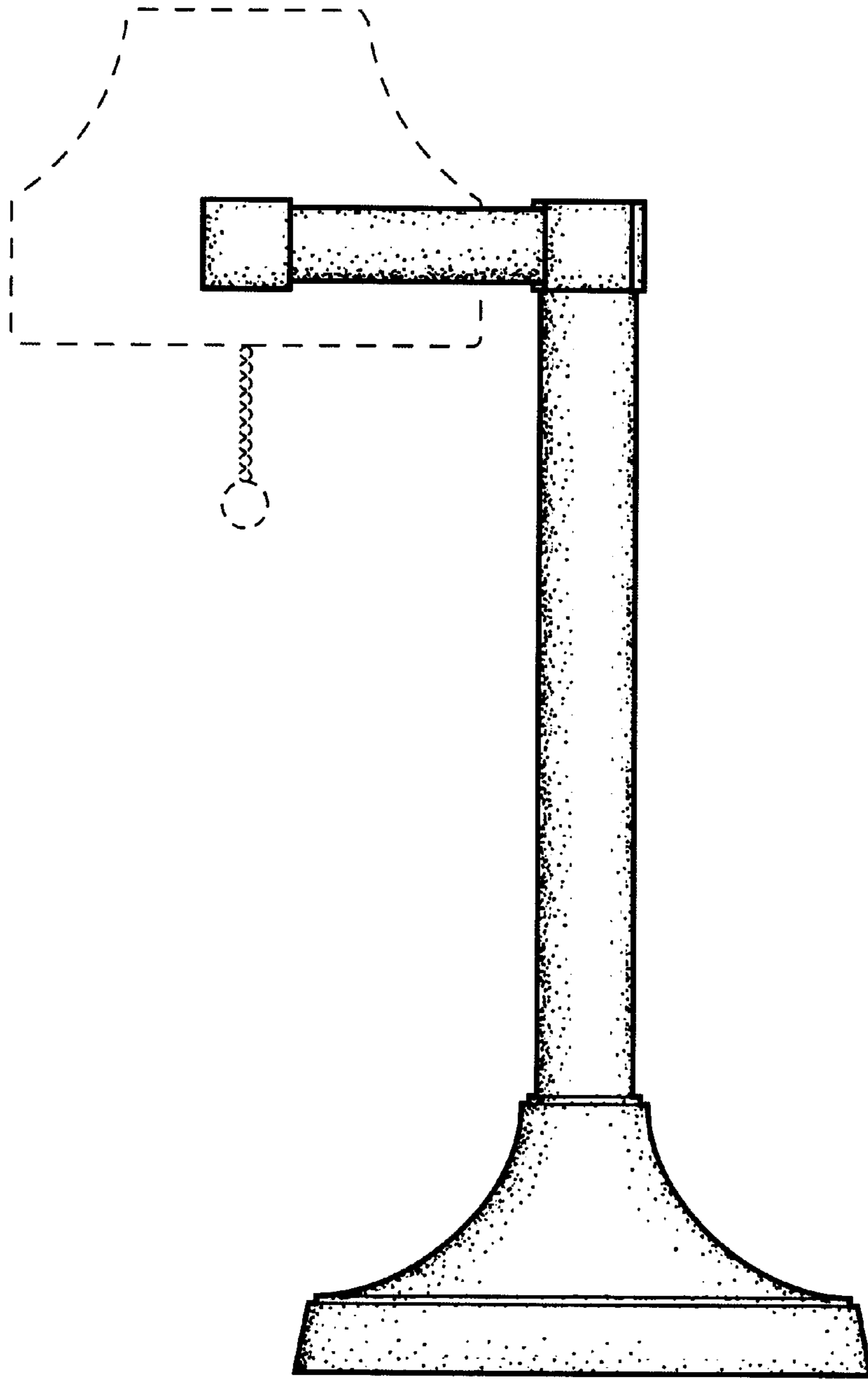


FIG. 3

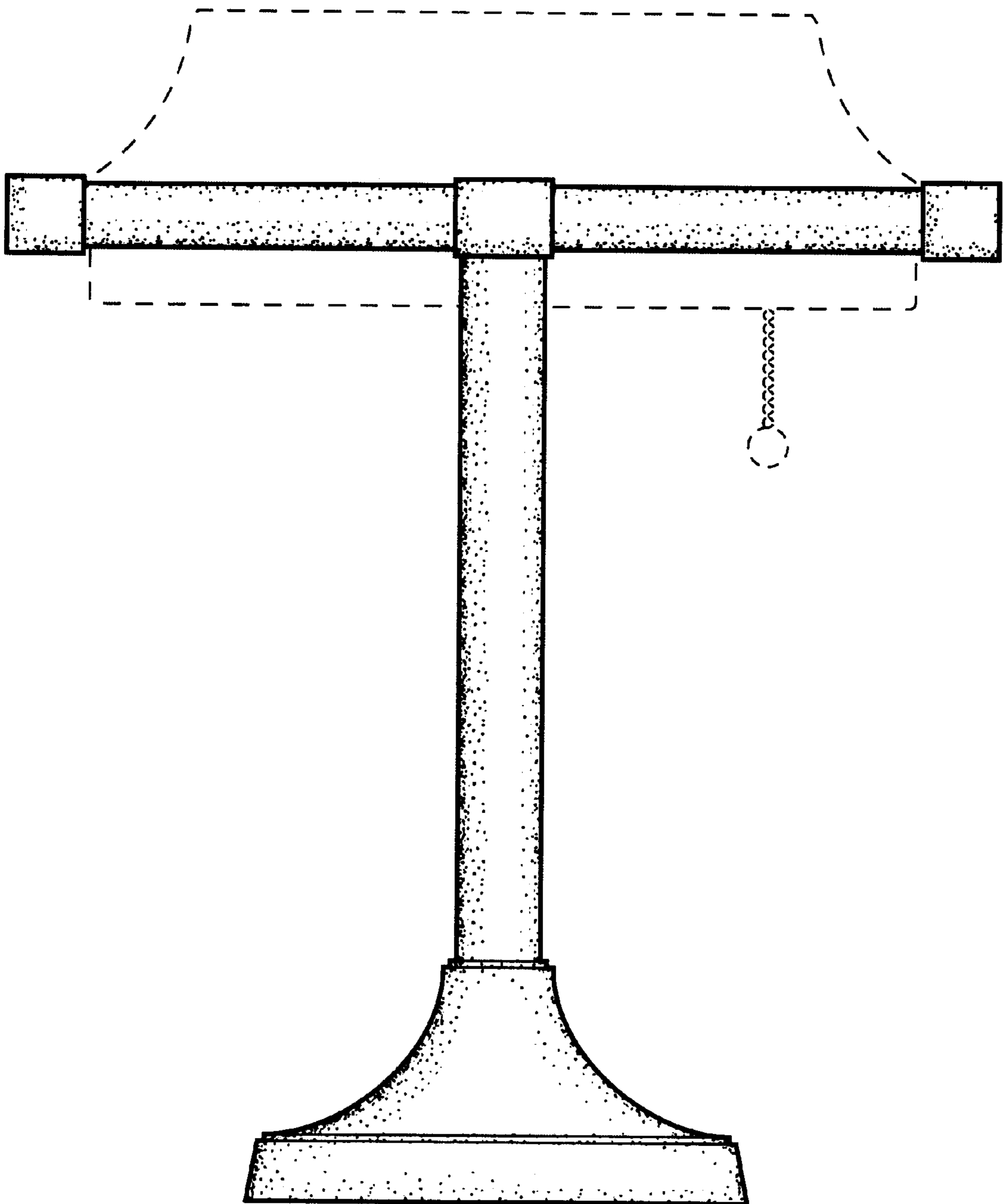


FIG. 4

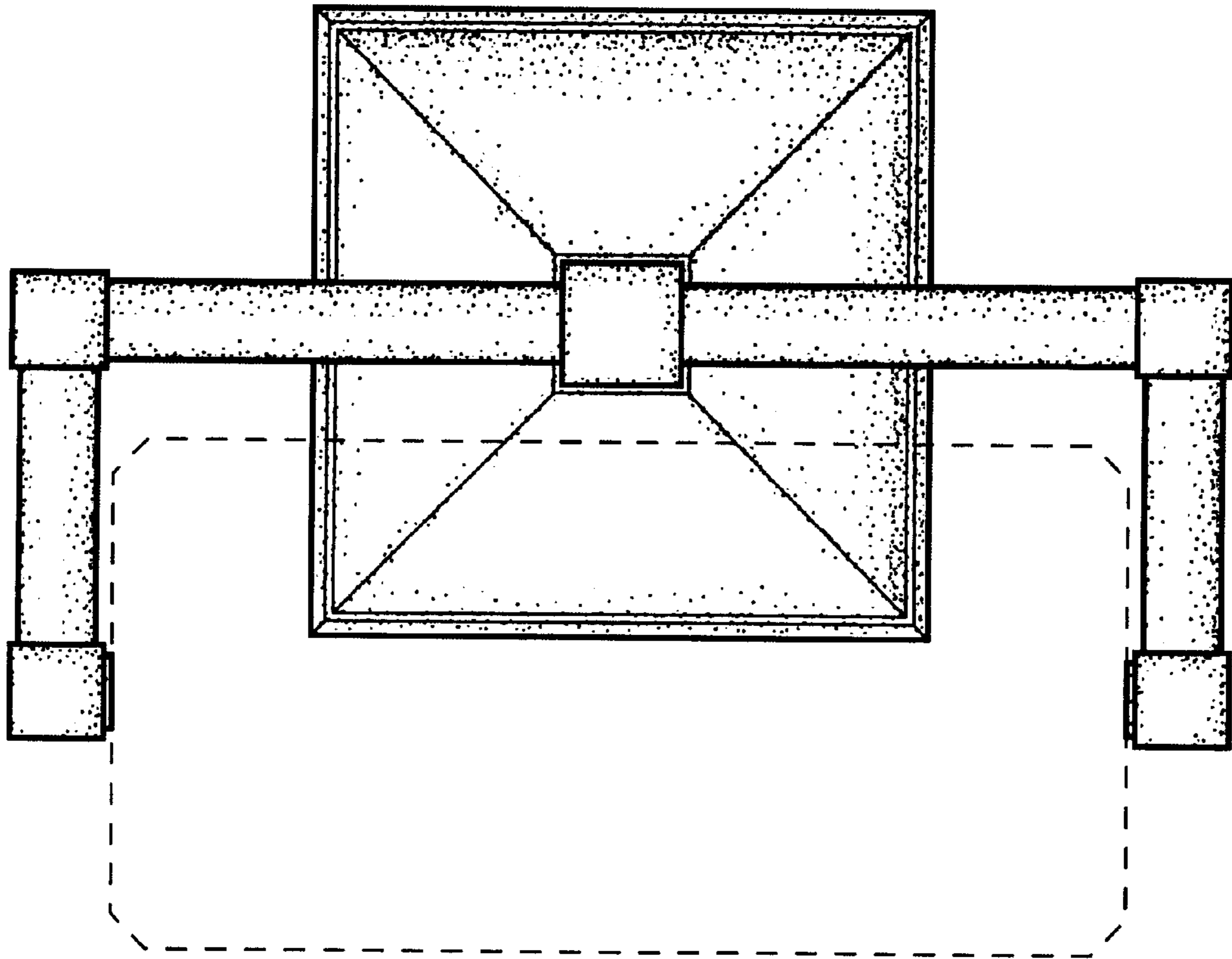


FIG. 5

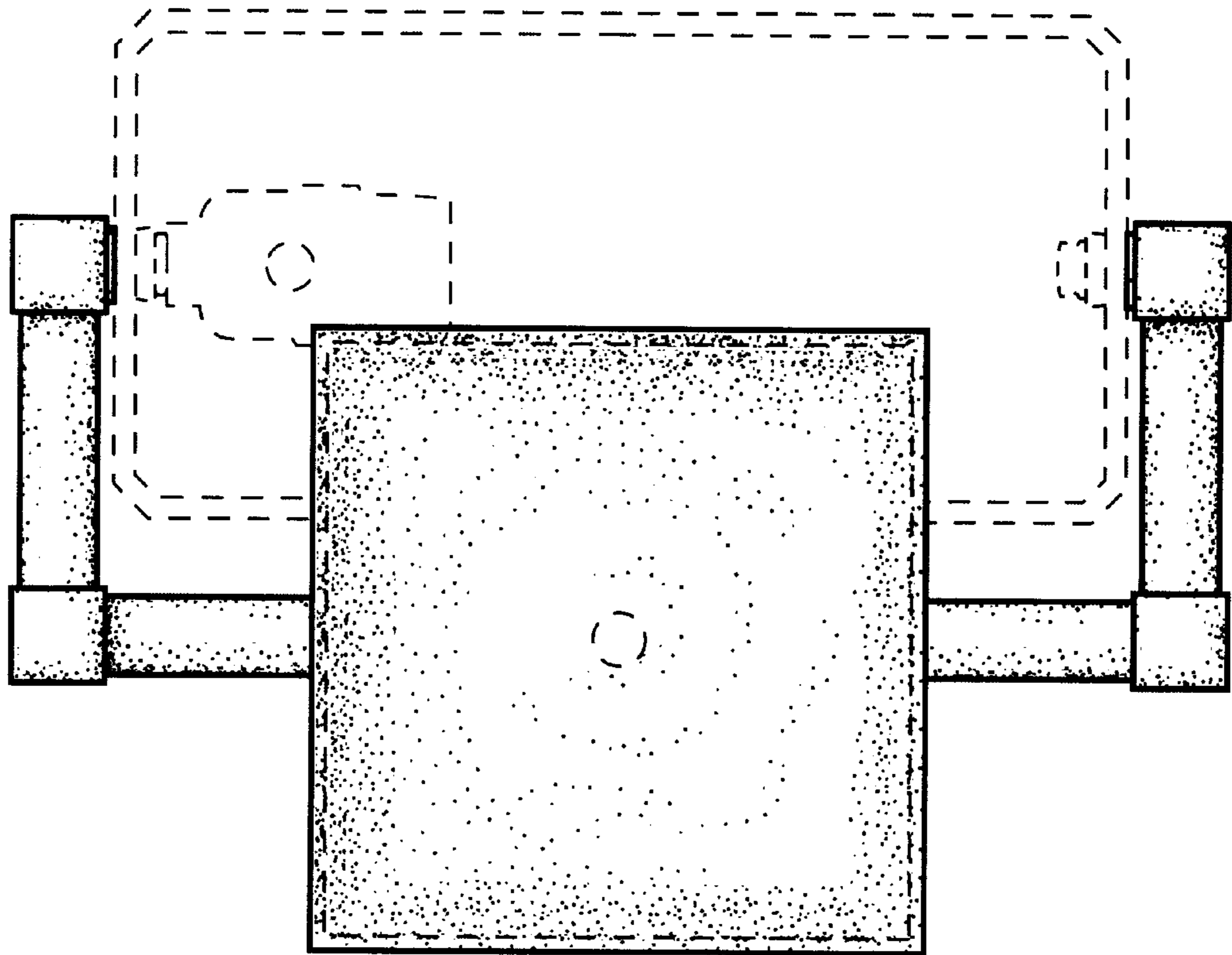


FIG. 6