



US00D451622B1

(12) **United States Design Patent**  
**Jones et al.**

(10) **Patent No.:** **US D451,622 S**

(45) **Date of Patent:** **\*\* Dec. 4, 2001**

(54) **COACHLIGHT**

(75) Inventors: **Dominic H. Jones**, Columbus, OH (US); **Victoria L. Brackney**, Atlanta, GA (US); **Donald J. Staufenberg**, Dublin; **Ludwin M. Mora**, Worthington, both of OH (US)

(73) Assignee: **National Manufacturing Co.**, Sterling, IL (US)

(\*\*) Term: **14 Years**

(21) Appl. No.: **29/127,641**

(22) Filed: **Aug. 9, 2000**

(51) **LOC (7) Cl.** ..... **26-05**

(52) **U.S. Cl.** ..... **D26/87**

(58) **Field of Search** ..... D26/72, 80-92;  
362/404-408, 432

(56) **References Cited**

**U.S. PATENT DOCUMENTS**

- D. 314,834 \* 2/1991 Rottner ..... D26/87
- D. 439,362 \* 3/2000 Berry ..... D26/87

**OTHER PUBLICATIONS**

Home Lighting and Accessories, 1998, p. 66, suspended lantern, top center.\*

Progress lighting catalog, 1990, p. 134, exterior lantern, #P5614.\*

Forecast Division of Lightolier Company, Catalog Copyright 2000 (p. 123).

\* cited by examiner

*Primary Examiner*—Susan J. Lucas

(74) *Attorney, Agent, or Firm*—Quarles & Brady LLP

(57) **CLAIM**

The ornamental design for a coachlight, as shown and described.

**DESCRIPTION**

FIG. 1 is a perspective view of my new coachlight design; FIG. 2 is a top plan view of the coachlight of FIG. 1; FIG. 3 is a front elevation view of the coachlight of FIG. 1; FIG. 4 is a right side view of the coachlight of FIG. 1; and, FIG. 5 is a bottom plan view of the coachlight of FIG. 1. The left side elevation view of the coachlight of FIG. 1, is a mirror image of FIG. 4.

**1 Claim, 2 Drawing Sheets**

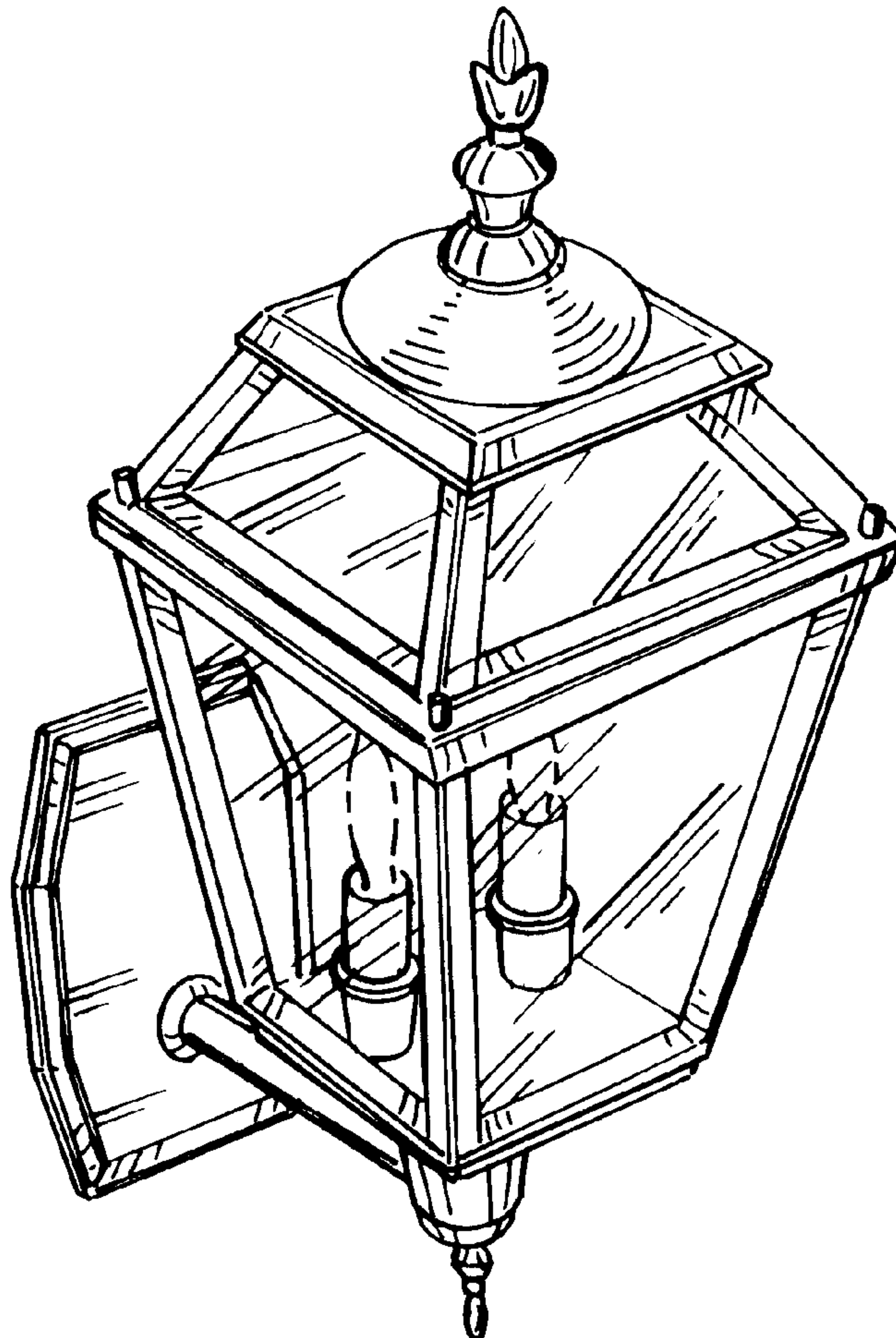


FIG. 1

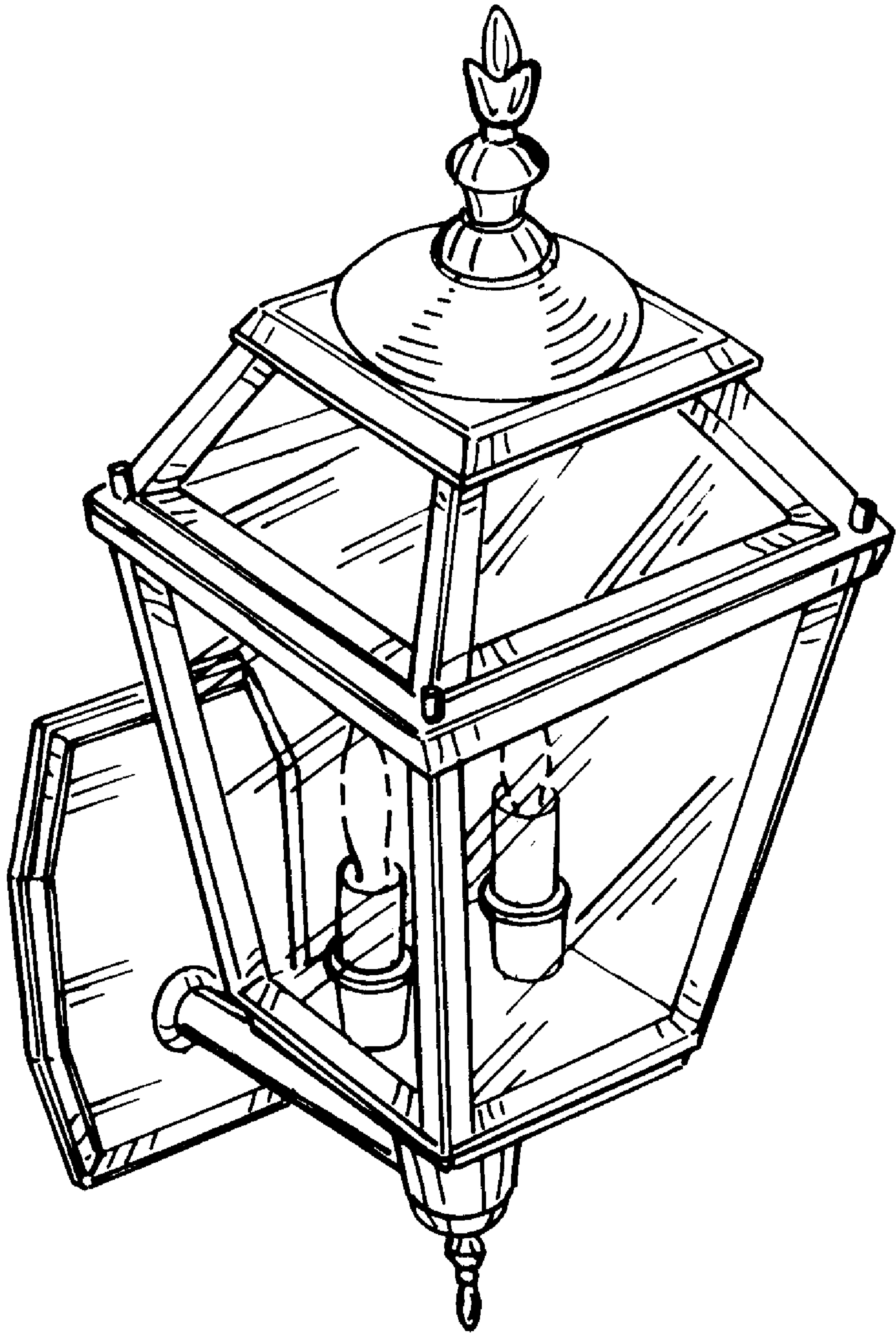


FIG. 2

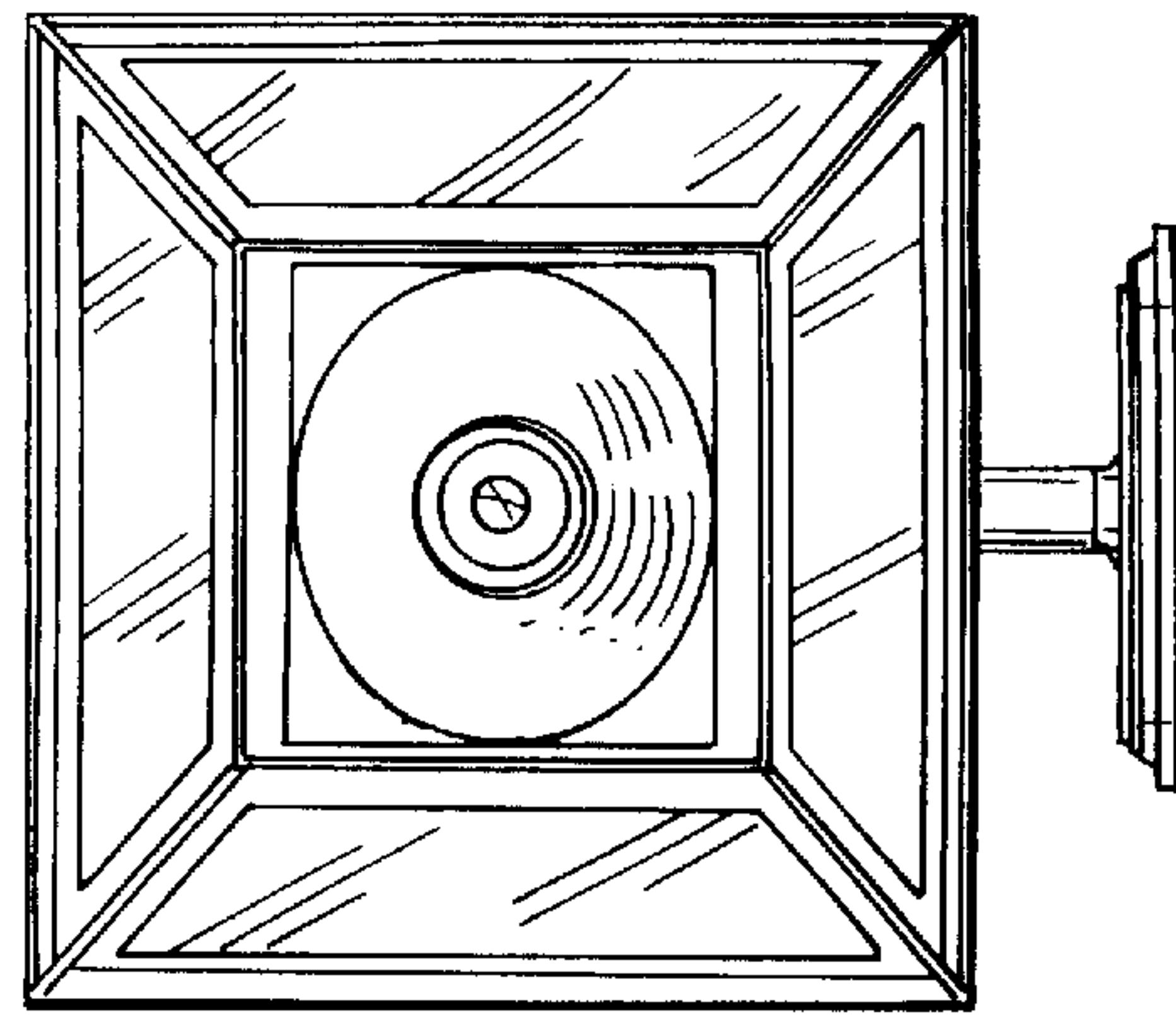


FIG. 3

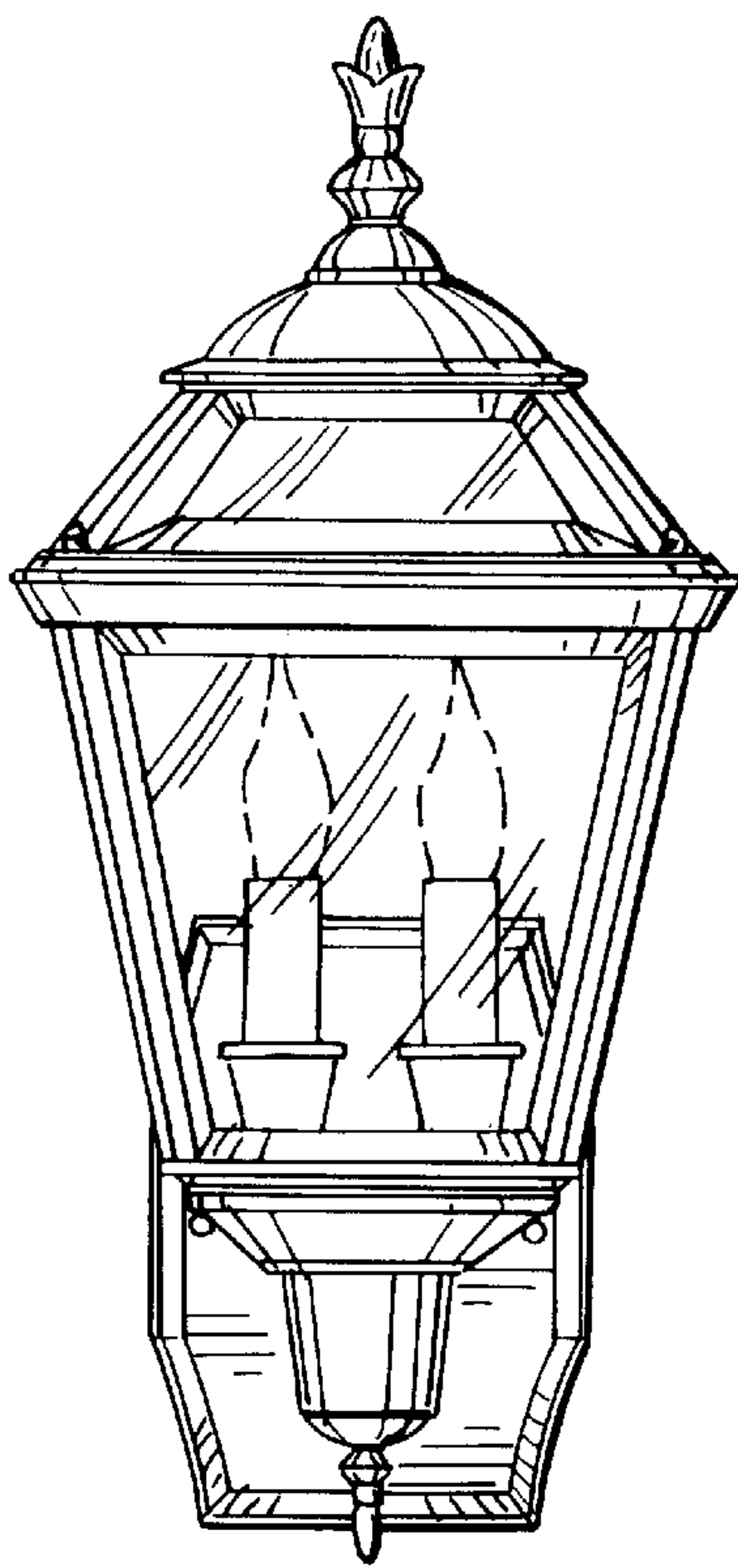


FIG. 4

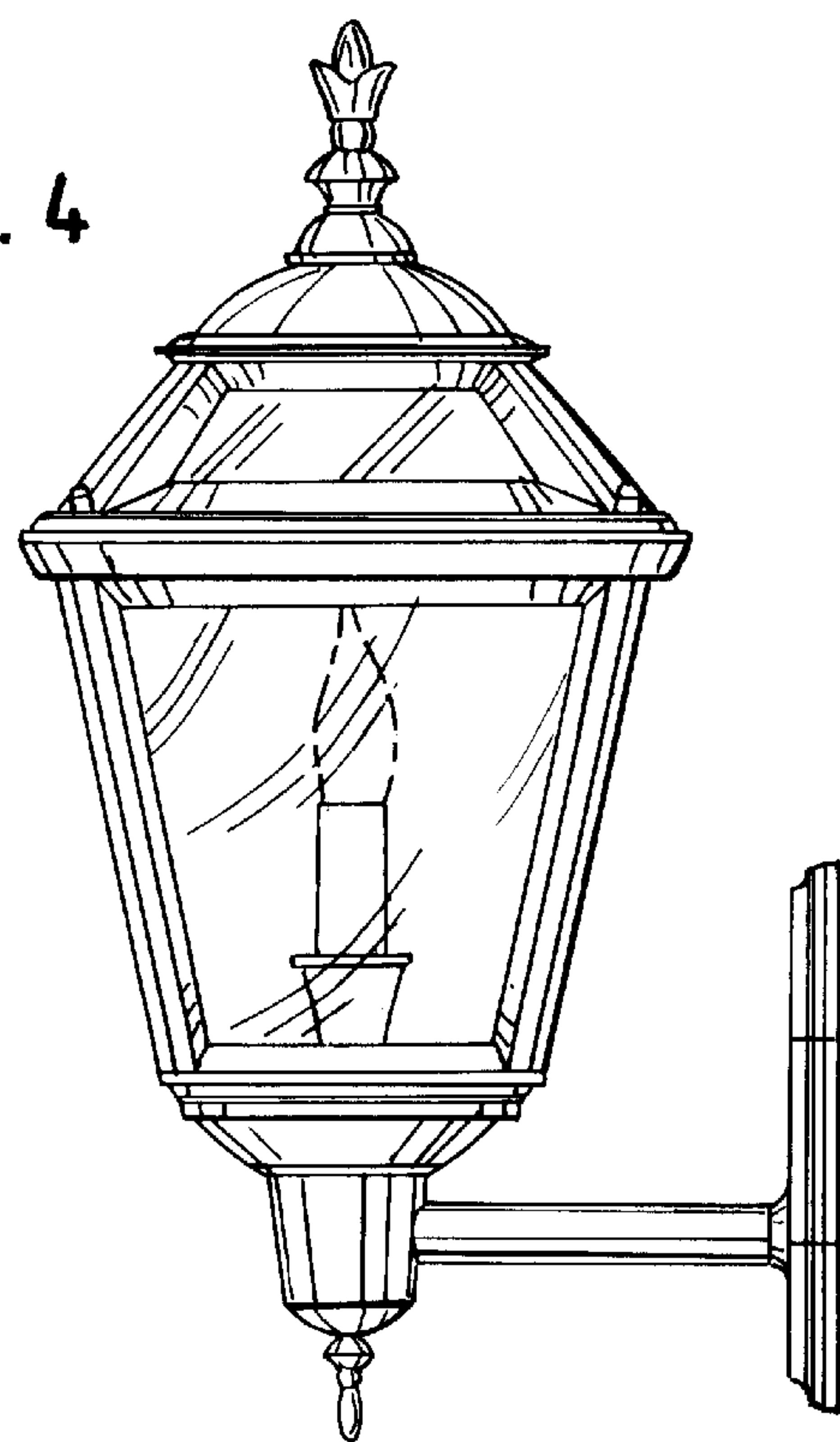


FIG. 5

