



US00D451619B1

(12) **United States Design Patent**  
**Skradski et al.**

(10) **Patent No.:** **US D451,619 S**

(45) **Date of Patent:** **\*\* Dec. 4, 2001**

(54) **LIGHTING FIXTURE CAP AND LENS UNIT**

(75) Inventors: **Thomas J. Skradski**, Piedmont; **Gary L. Cross**, San Francisco, both of CA (US)

(73) Assignee: **Lumenworks Lighting Products, Inc.**, Oakland, CA (US)

(\*\*) Term: **14 Years**

(21) Appl. No.: **29/136,741**

(22) Filed: **Feb. 5, 2001**

**Related U.S. Application Data**

(63) Continuation-in-part of application No. 29/115,972, filed on Dec. 22, 1999.

(51) **LOC (7) Cl.** ..... **26-05**

(52) **U.S. Cl.** ..... **D26/68**

(58) **Field of Search** ..... D26/67-71, 93, D26/102, 104-112, 113; 362/153, 153.1, 257, 267, 268, 431, 806, 310, 362, 363

(56) **References Cited**

**U.S. PATENT DOCUMENTS**

D. 338,080	*	8/1993	Elazari	.....	D26/68
D. 407,842	*	4/1999	Landefeld	.....	D26/68
5,649,760	*	7/1997	Beadle	.....	362/431 X
5,692,828	*	12/1997	Chung	.....	362/431

\* cited by examiner

*Primary Examiner*—Alan P. Douglas

*Assistant Examiner*—Linda Brooks

(74) *Attorney, Agent, or Firm*—Donald L. Beeson

(57) **CLAIM**

The ornamental design for a lighting fixture cap and lens unit, as shown and described.

**DESCRIPTION**

FIG. 1 is a top perspective view of a lighting fixture cap and lens unit showing our new design;

FIG. 2 is a front elevational view thereof;

FIG. 3 is a left side elevational view thereof, the right side being a mirror image;

FIG. 4 is a rear elevational view thereof;

FIG. 5 is an enlarged top plan view thereof;

FIG. 6 is an enlarged bottom plan view thereof.

FIG. 7 is a top perspective view of a lighting fixture cap and lens unit showing an alternative embodiment of our new design;

FIG. 8 is a front elevational view thereof;

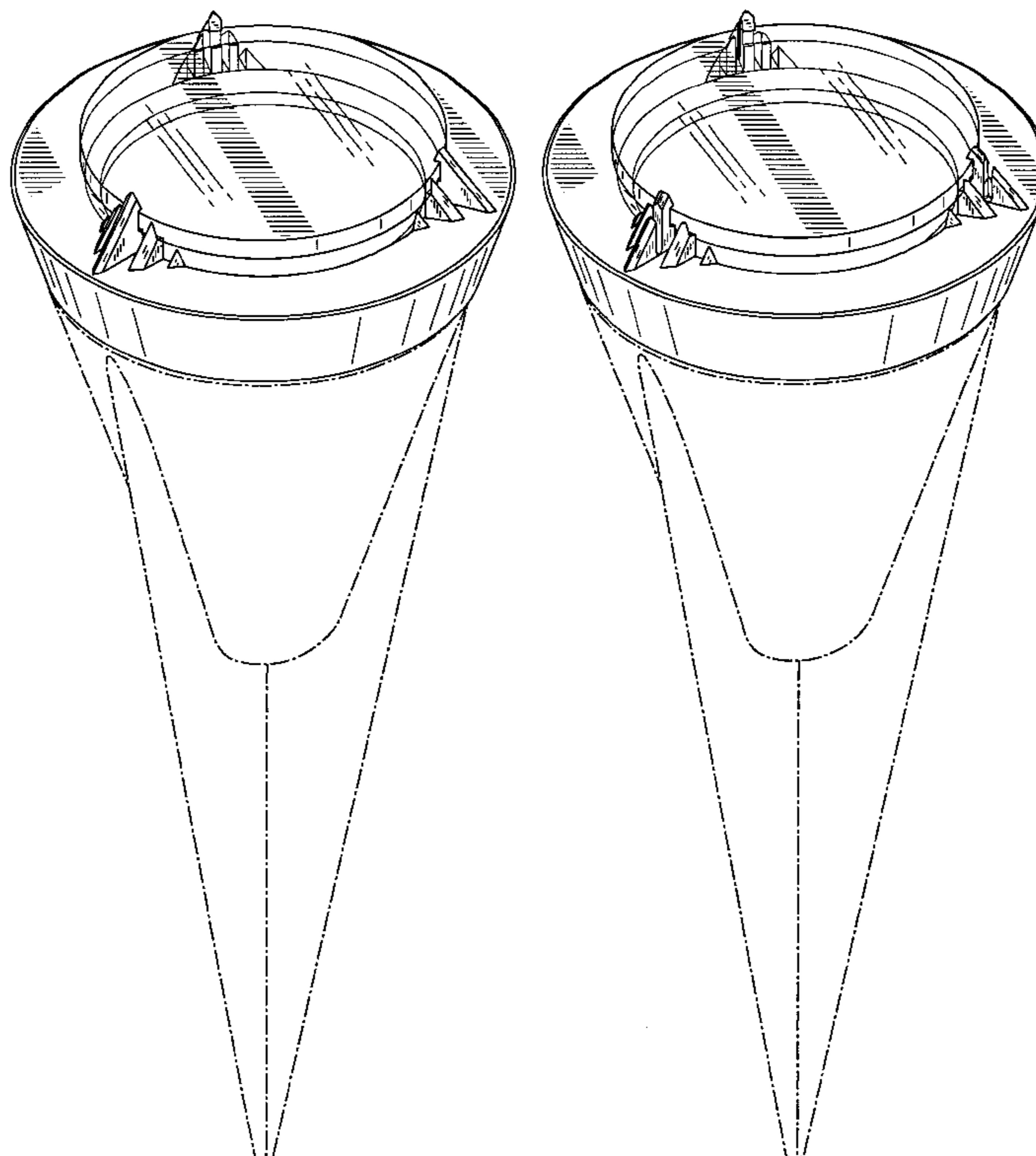
FIG. 9 is a left side elevational view thereof, the right side being a mirror image;

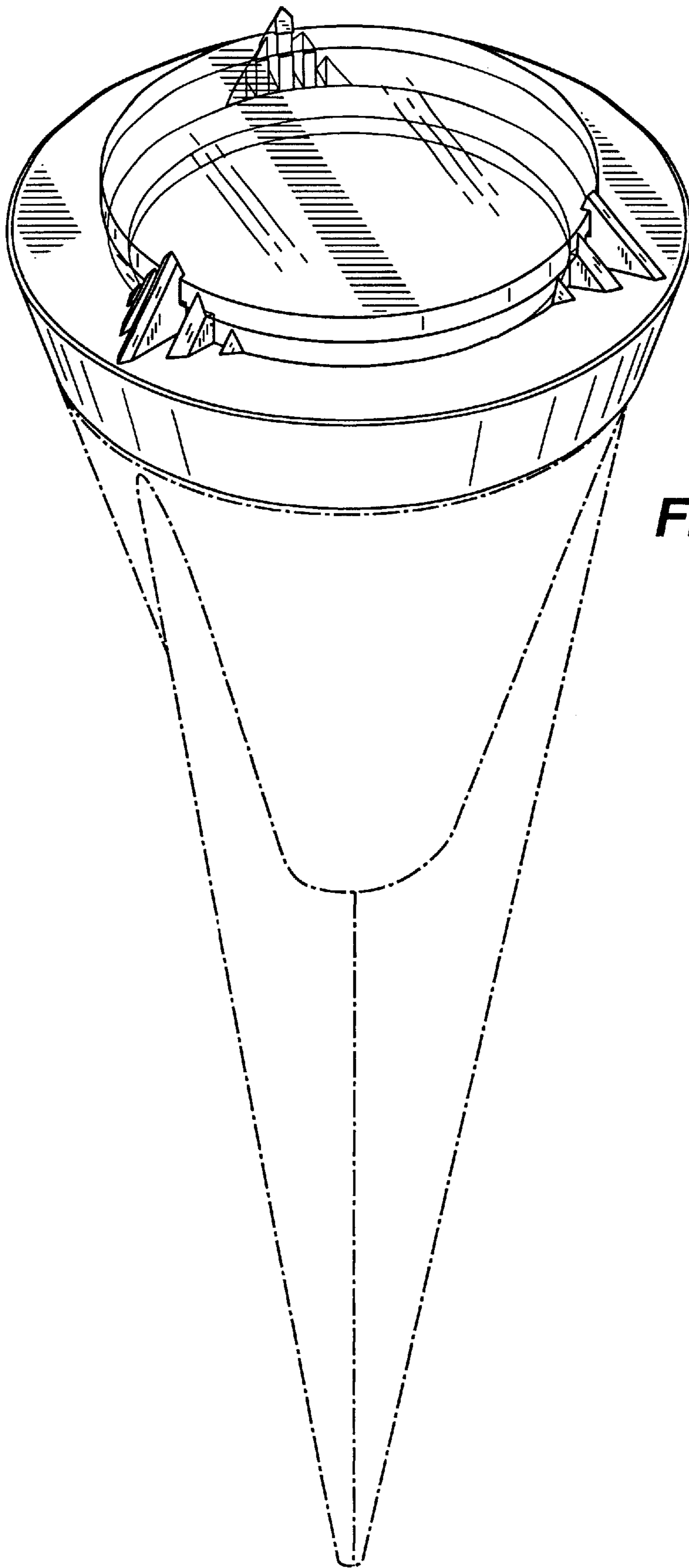
FIG. 10 is a rear elevational view thereof; and,

FIG. 11 is an enlarged top plan view thereof.

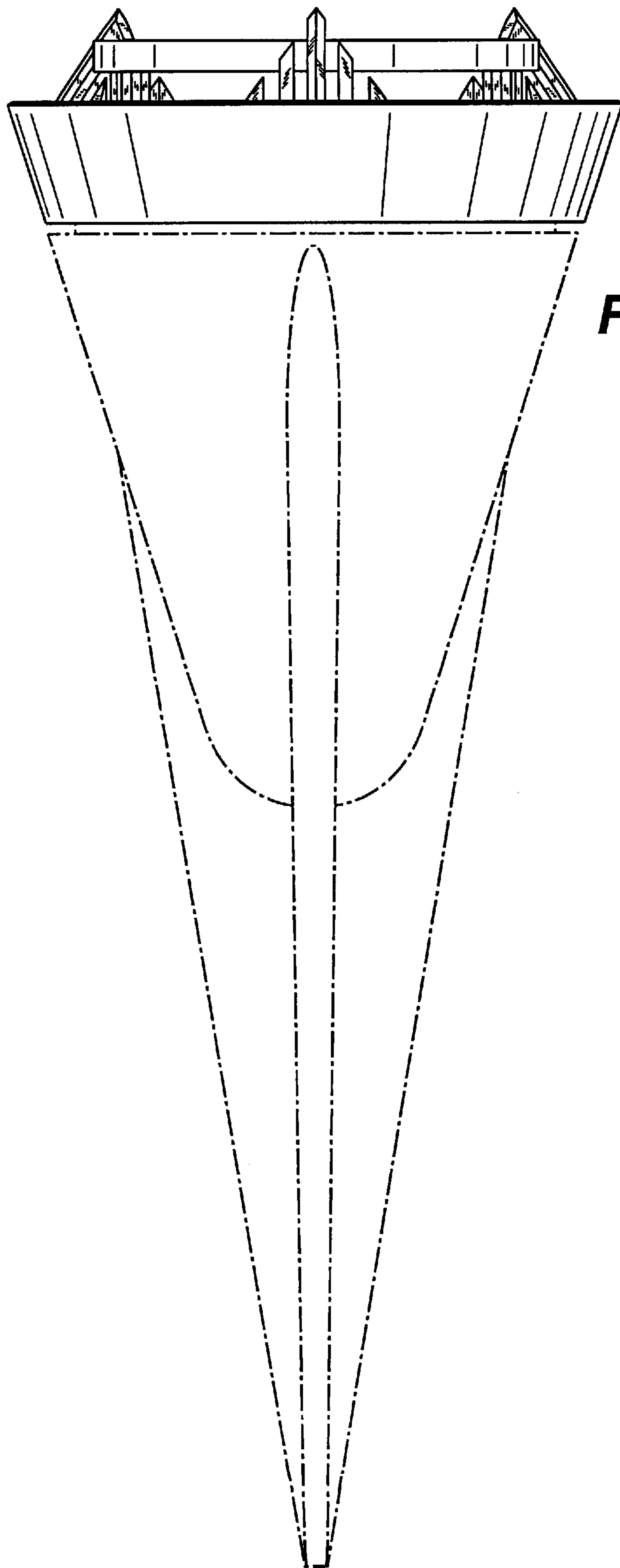
The broken lines shown in FIGS. 1-4 and 6-10 are for illustrative purposes only and indicate the nature and use of our design.

**1 Claim, 11 Drawing Sheets**

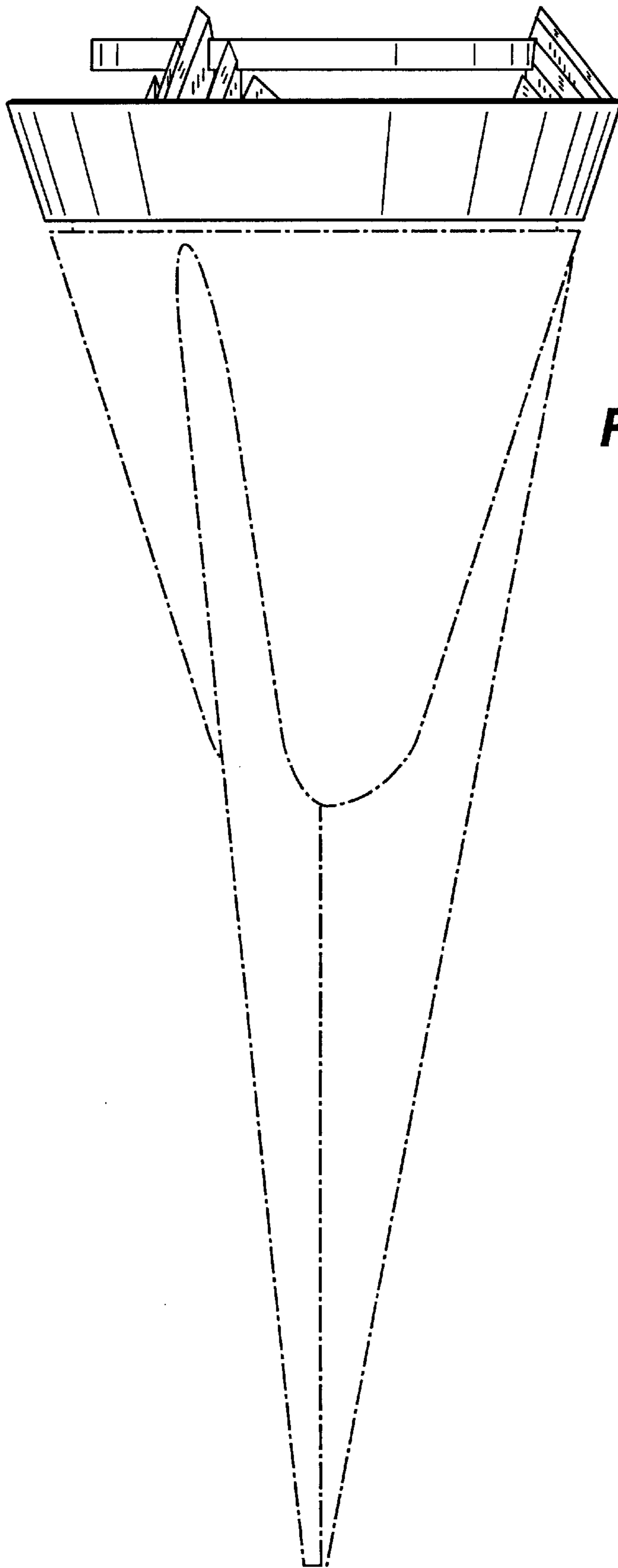




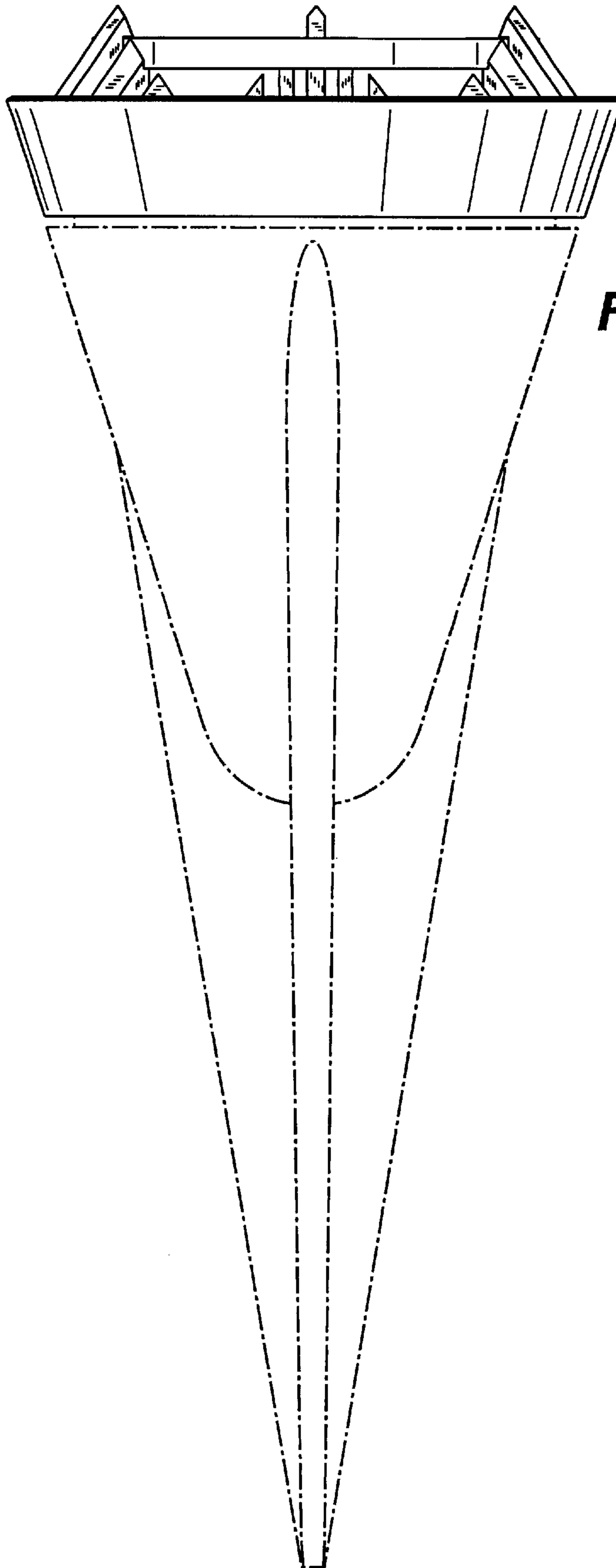
**FIG. 1**



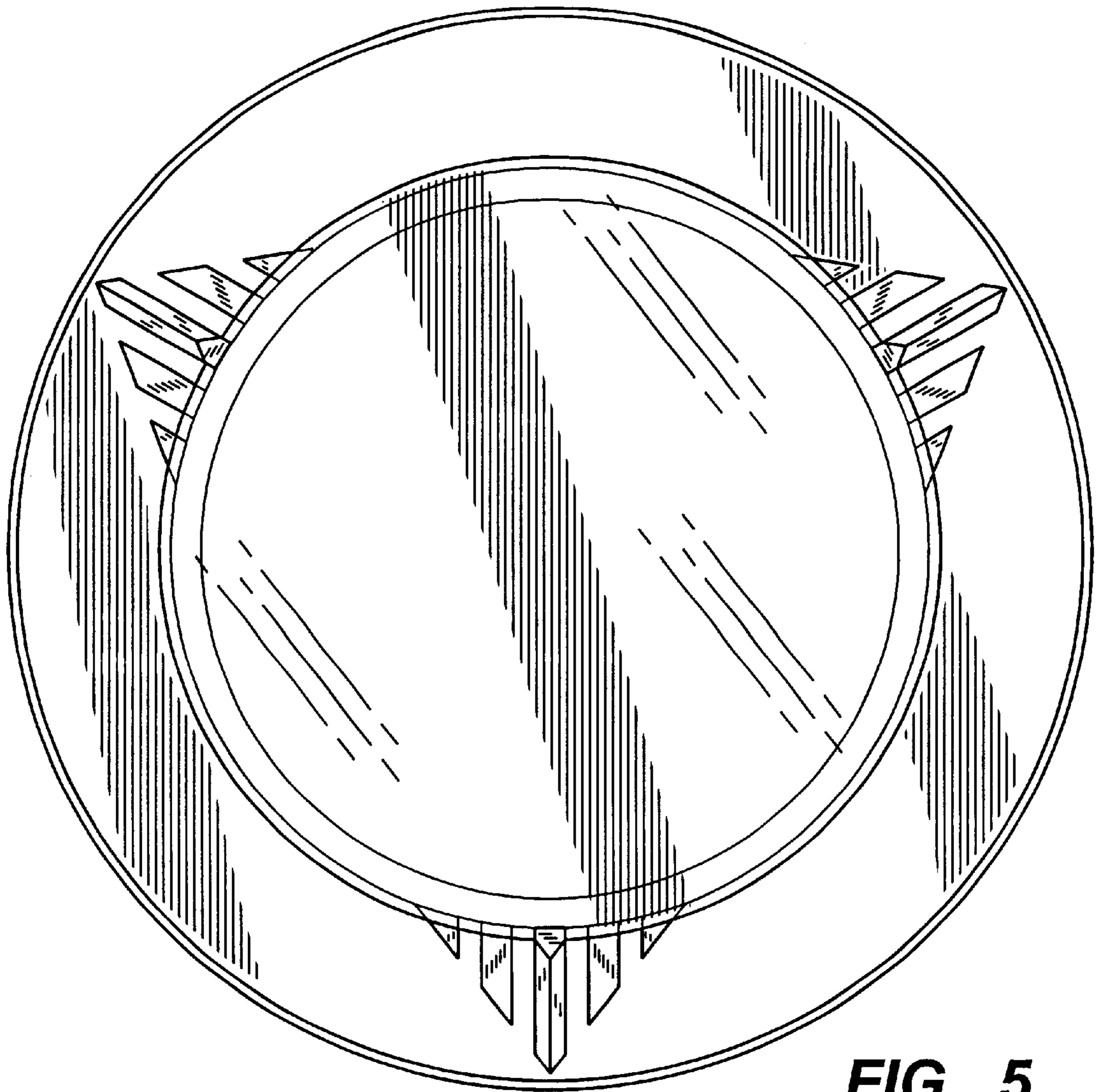
**FIG.\_2**



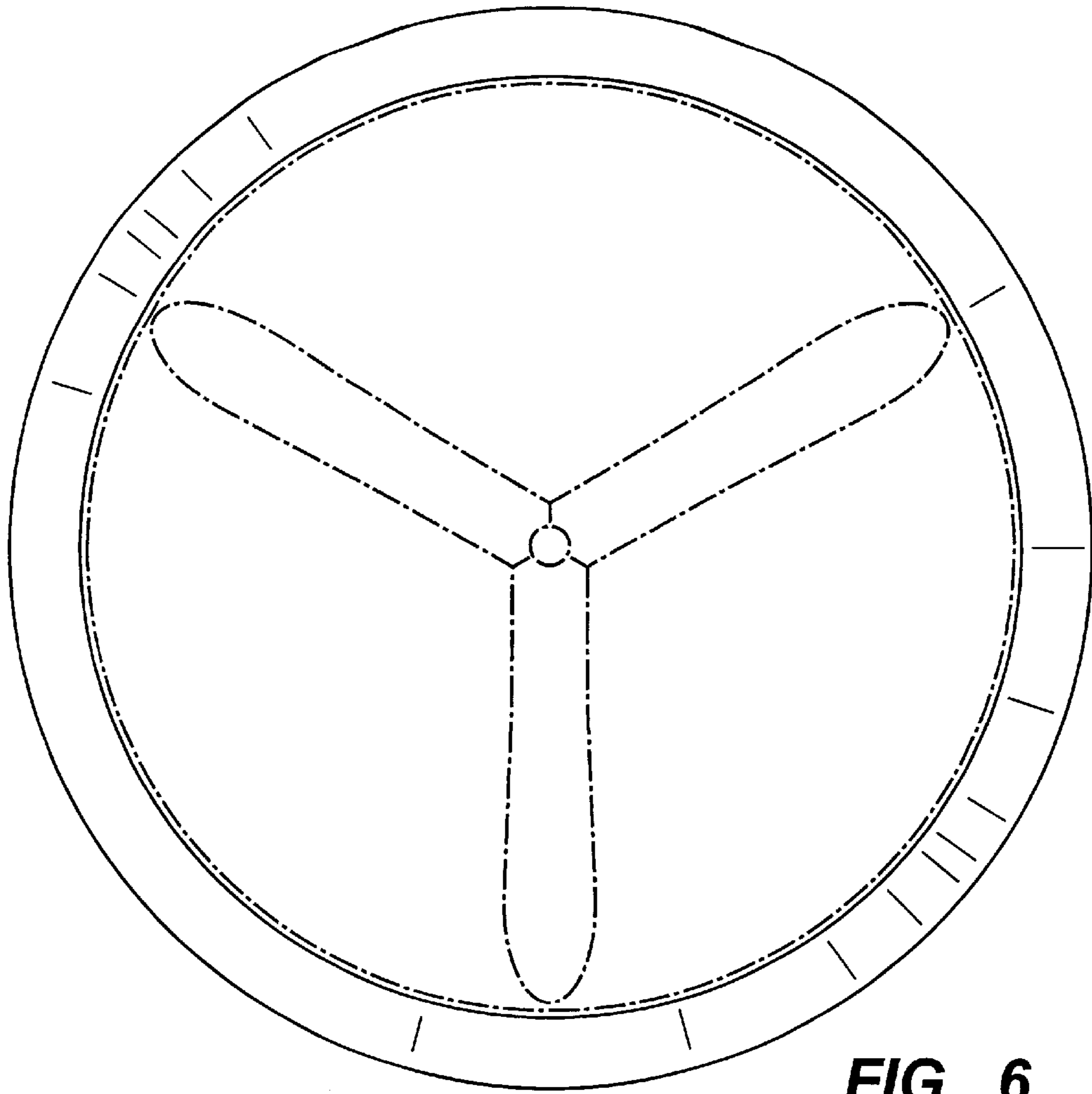
**FIG. 3**



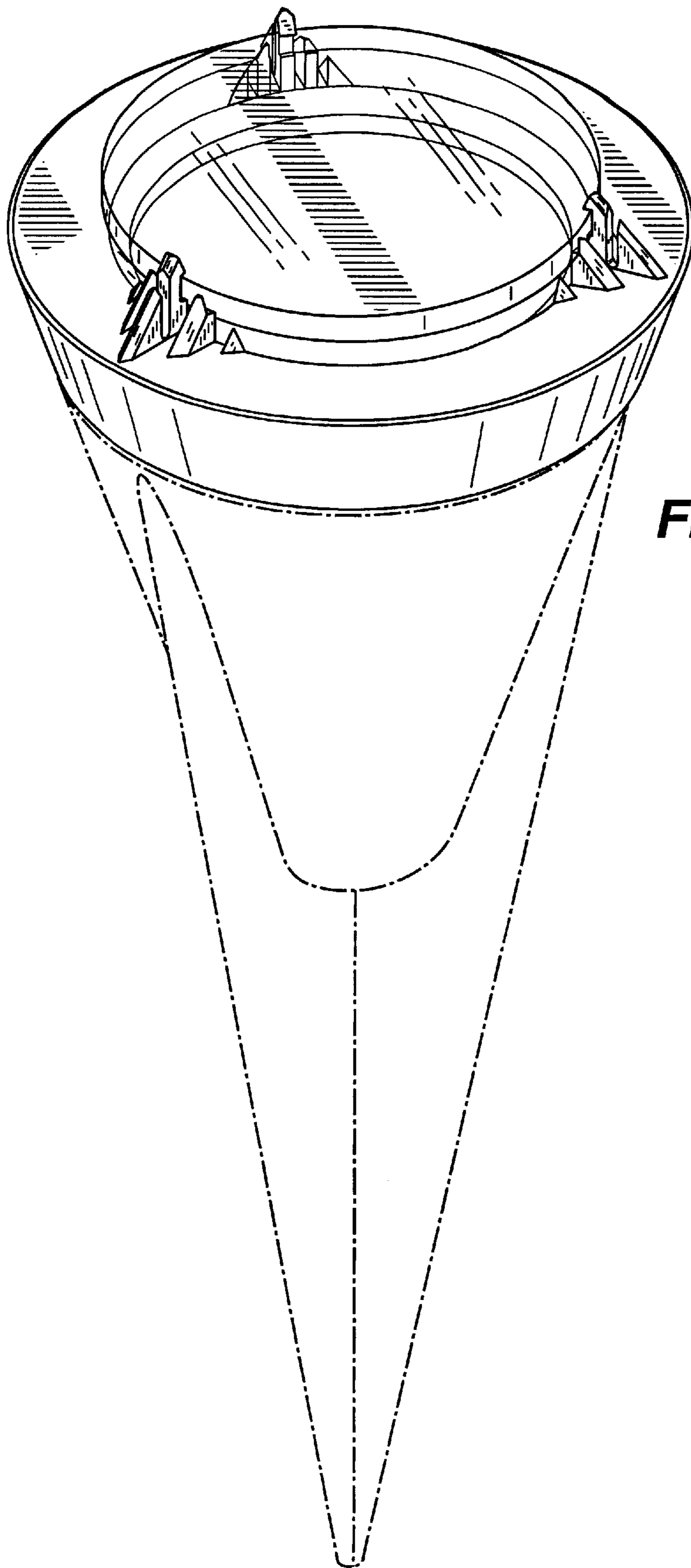
**FIG.\_4**



**FIG. 5**

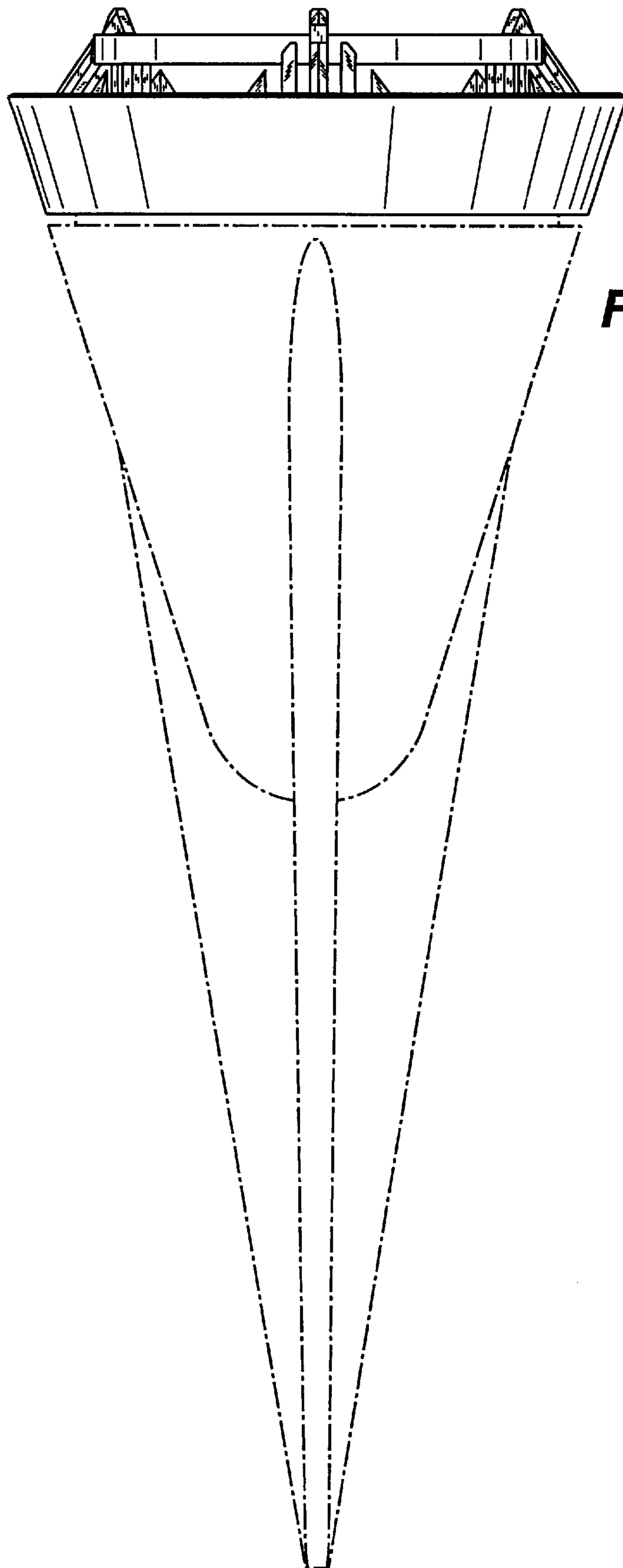


**FIG. 6**

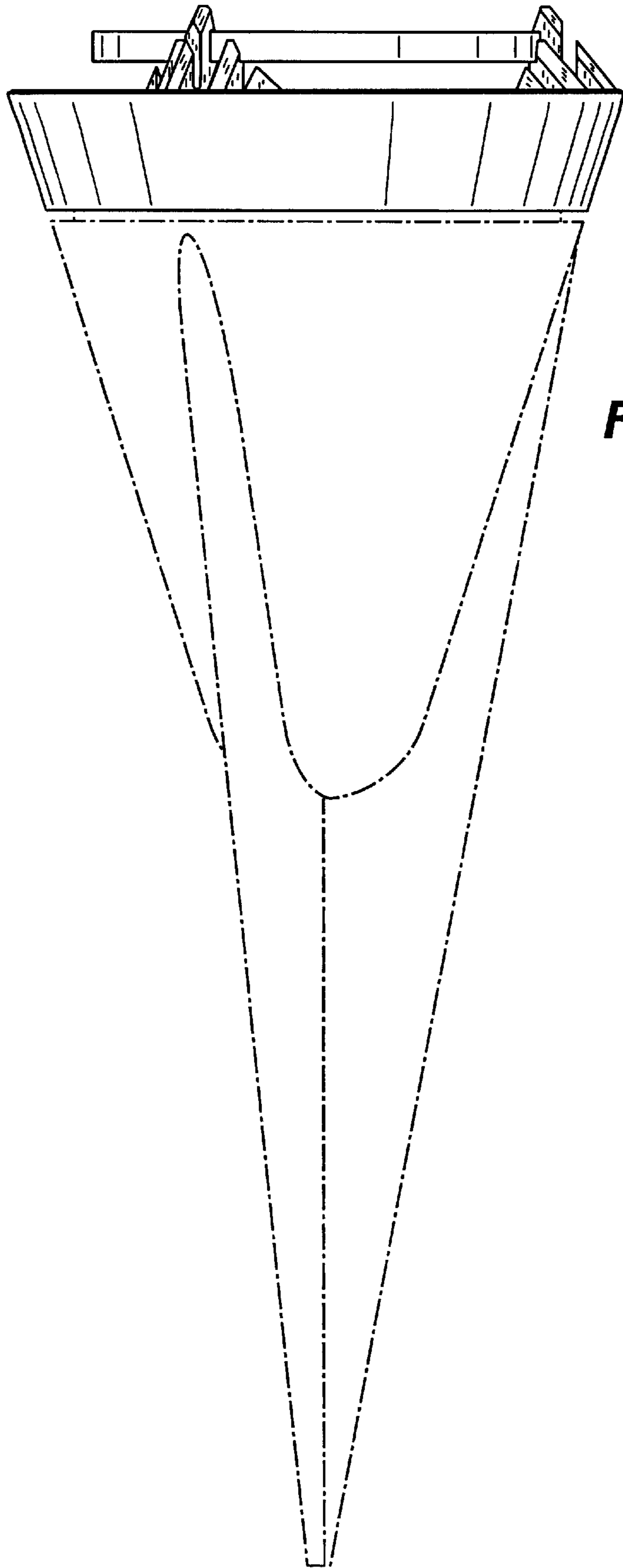


**FIG. 7**

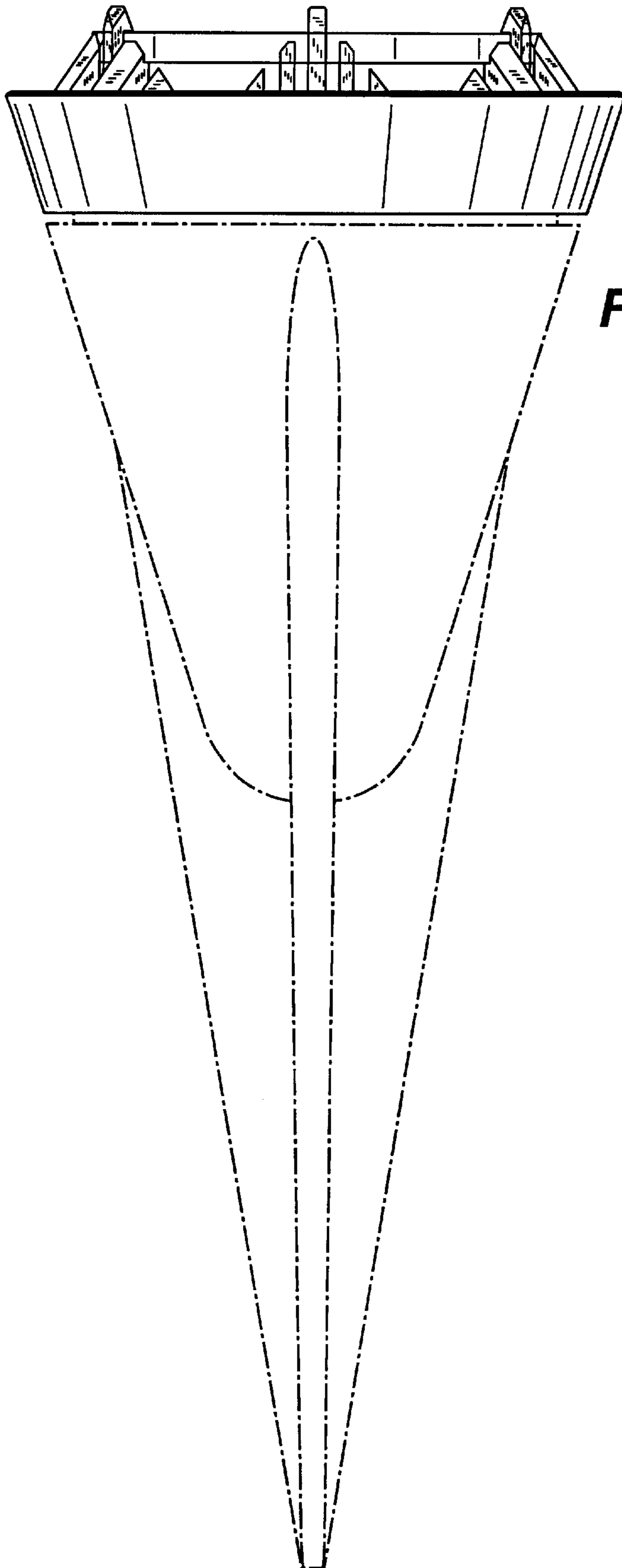




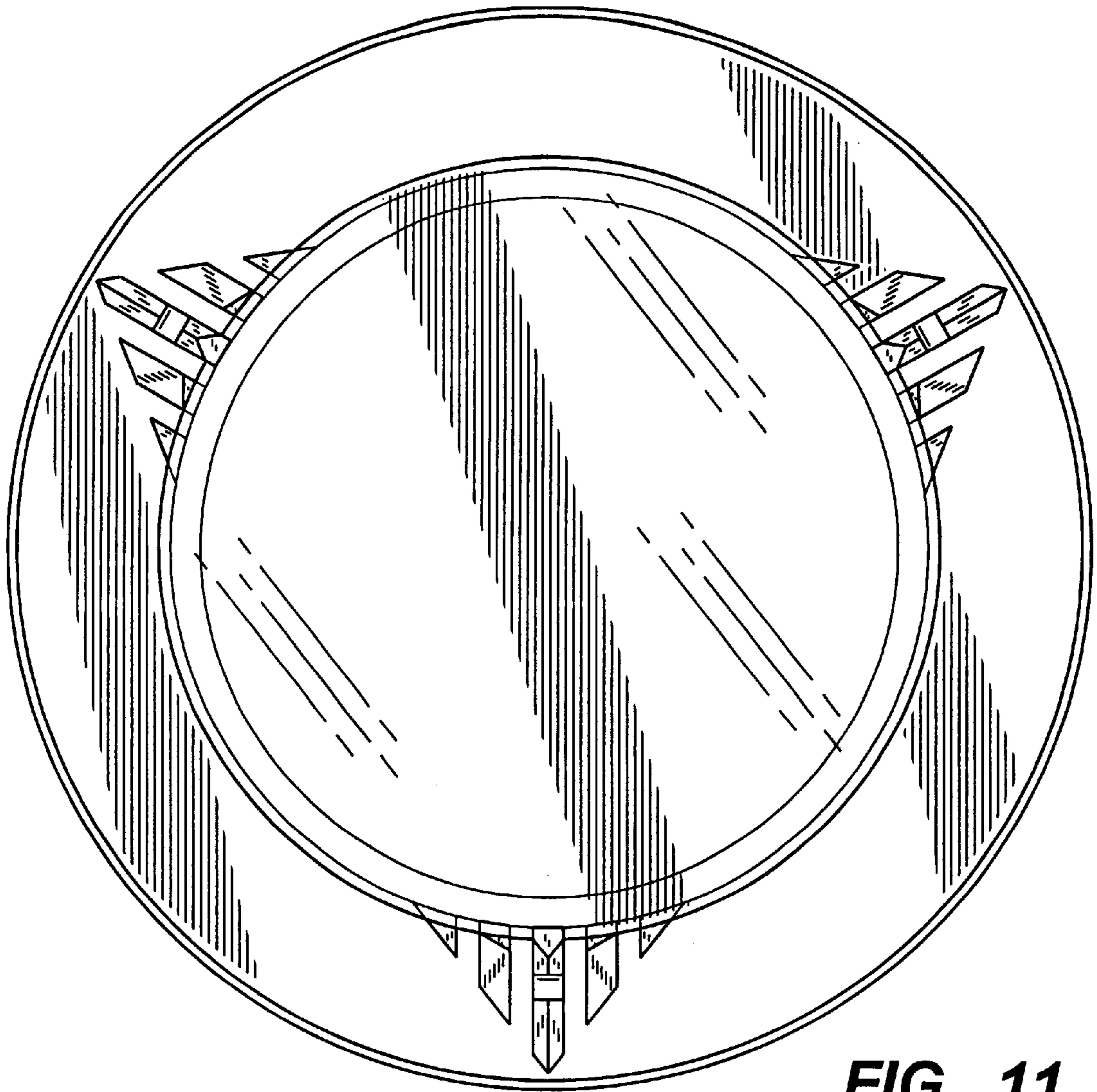
**FIG.\_8**



**FIG.\_9**



**FIG. 10**



**FIG. 11**