



US00D451618B1

(12) **United States Design Patent**  
**Skradski et al.**

(10) **Patent No.:** **US D451,618 S**

(45) **Date of Patent:** **\*\* Dec. 4, 2001**

(54) **LIGHTING FIXTURE CAP**

(75) Inventors: **Thomas J. Skradski**, Piedmont; **Gary L. Cross**, San Francisco, both of CA (US)

(73) Assignee: **Lumenworks Lighting Products, Inc.**, Oakland, CA (US)

(\*\*) Term: **14 Years**

(21) Appl. No.: **29/136,734**

(22) Filed: **Feb. 5, 2001**

**Related U.S. Application Data**

(63) Continuation-in-part of application No. 29/115,972, filed on Dec. 22, 1999.

(51) **LOC (7) Cl.** ..... **26-05**

(52) **U.S. Cl.** ..... **D26/68**

(58) **Field of Search** ..... D26/67-71, 93, D26/102, 104-112, 113; 362/153, 153.1, 257, 267, 268, 431, 362, 363, 310, 806

(56) **References Cited**

**U.S. PATENT DOCUMENTS**

- D. 338,080 \* 8/1993 Elazari ..... D26/68
- D. 407,842 \* 4/1999 Landefeld ..... D26/68
- 5,649,760 \* 7/1997 Beadle ..... 362/431 X
- 5,692,828 \* 12/1997 Chung ..... 362/431

\* cited by examiner

*Primary Examiner*—Alan P. Douglas

*Assistant Examiner*—Linda Brooks

(74) *Attorney, Agent, or Firm*—Donald L. Beeson

(57) **CLAIM**

The ornamental design for a lighting fixture cap, as shown and described.

**DESCRIPTION**

FIG. 1 is a top perspective view of a lighting fixture cap showing our new design;

FIG. 2 is an enlarged top perspective view thereof;

FIG. 3 is an enlarged front elevational view thereof;

FIG. 4 is an enlarged left side elevational view thereof, the right side being a mirror image;

FIG. 5 is an enlarged rear elevational view thereof;

FIG. 6 is an enlarged top plan view thereof;

FIG. 7 is a top perspective view of a lighting fixture cap showing an alternative embodiment of our new design;

FIG. 8 is a front elevational view thereof;

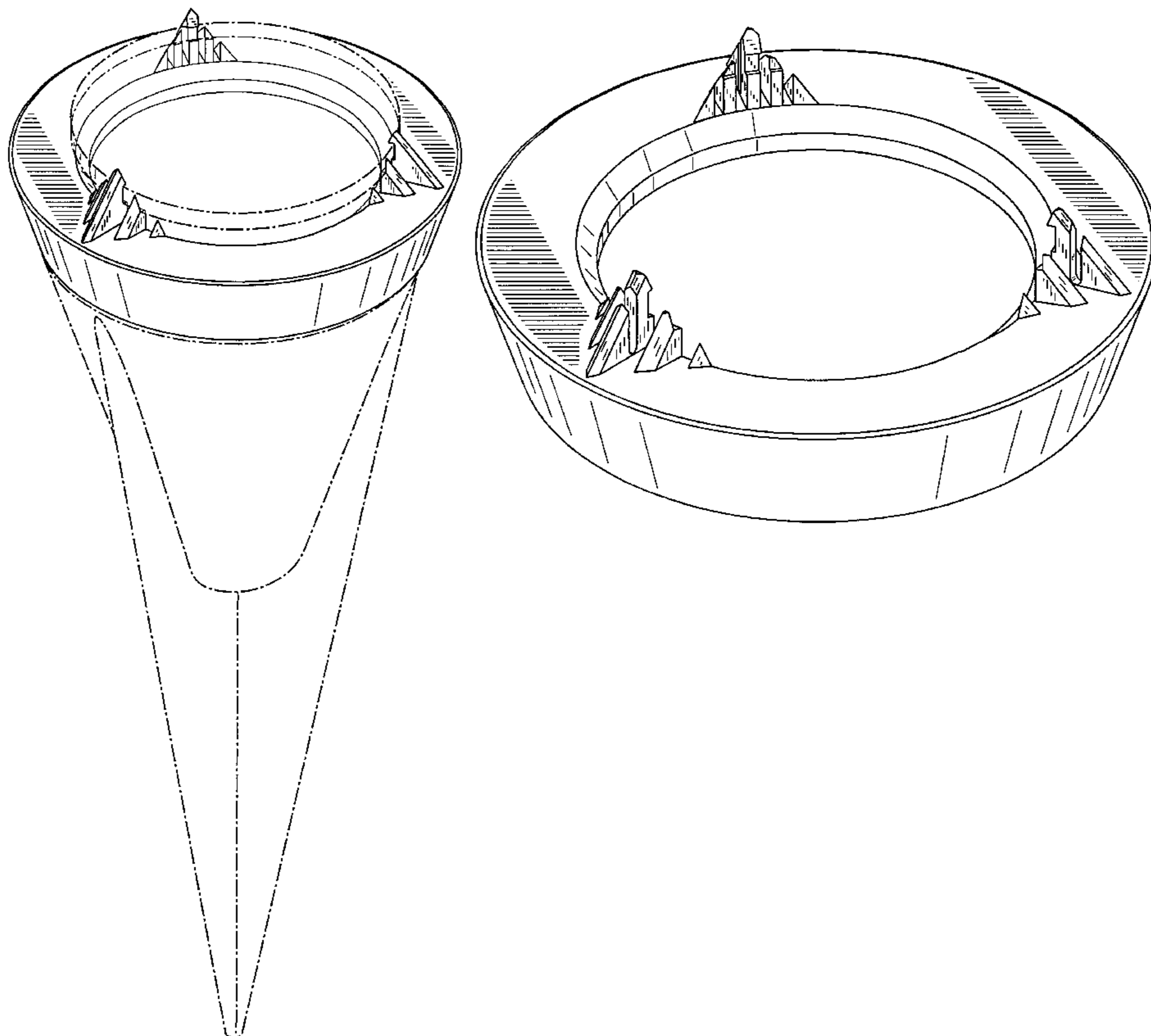
FIG. 9 is a left side elevational view thereof, the right side being a mirror image;

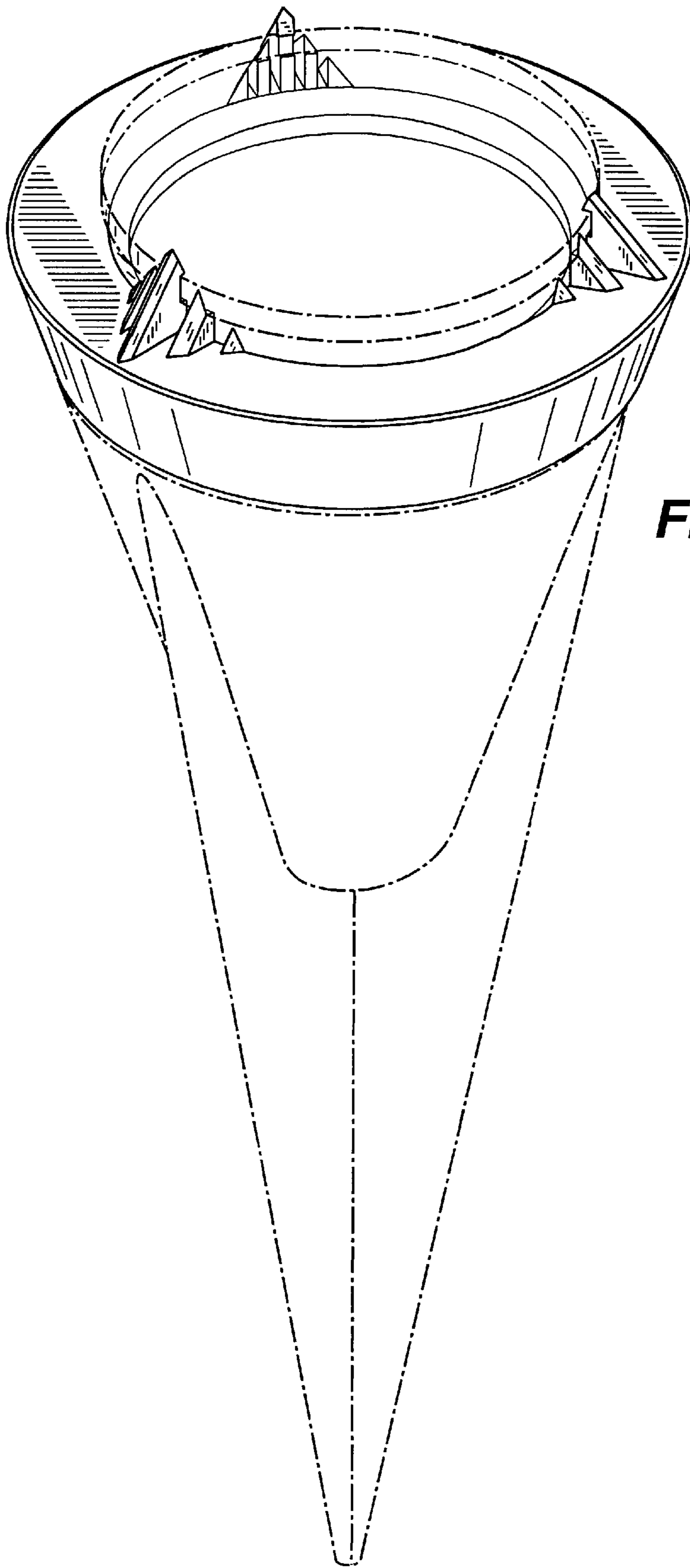
FIG. 10 is a rear elevational view thereof; and,

FIG. 11 is an enlarged top plan view thereof.

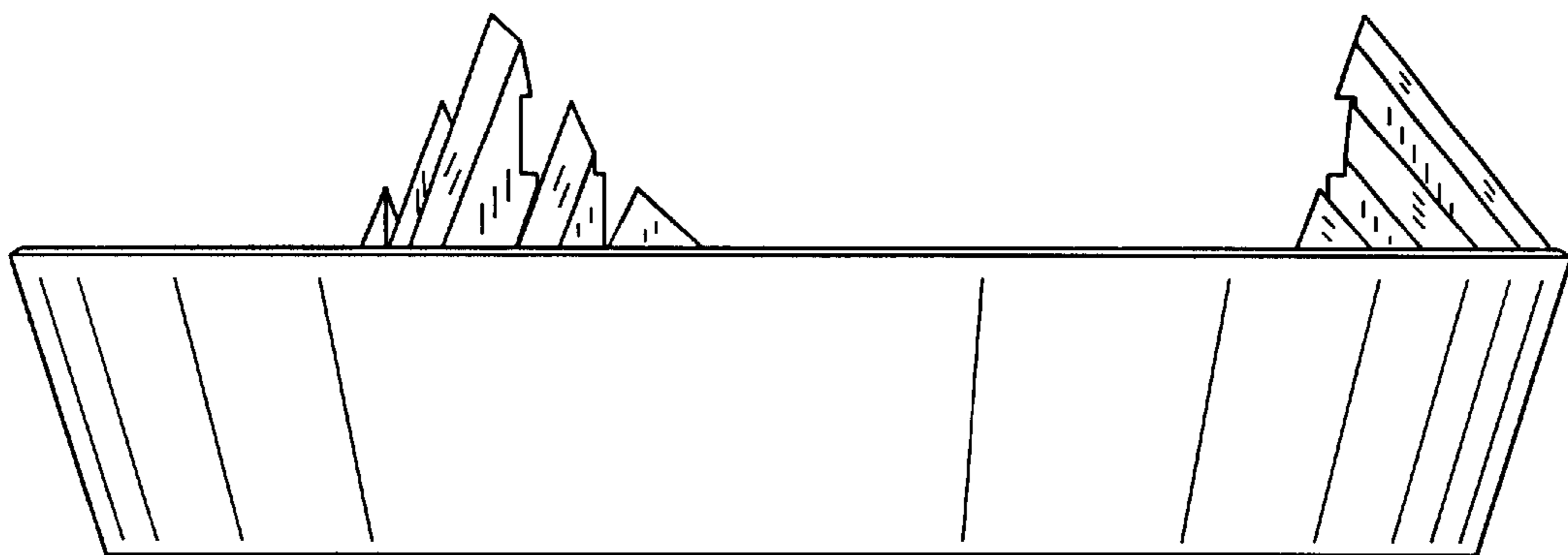
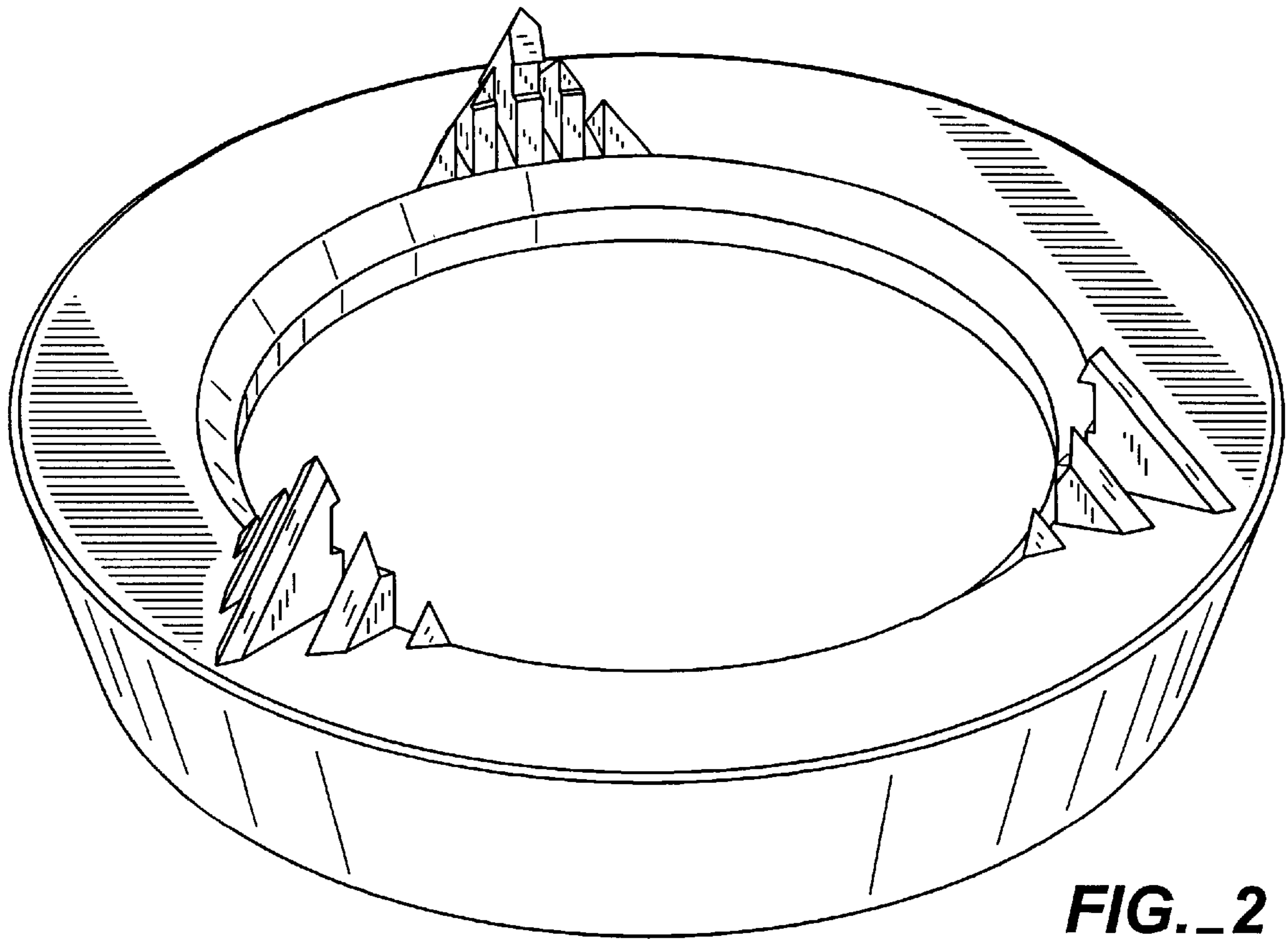
The bottom of the lighting fixture cap of our new design is unornamented and not considered part of the design. The broken lines shown in FIG. 1 are for illustrative purposes only and indicate the nature and use of our new design.

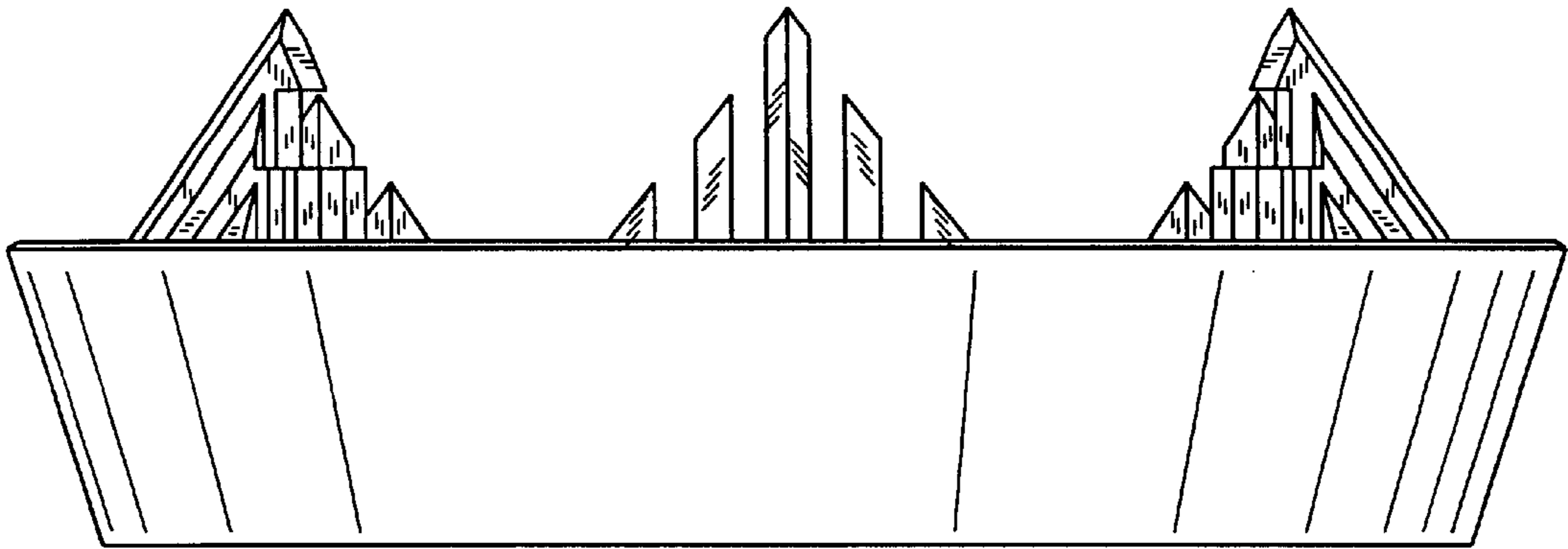
**1 Claim, 7 Drawing Sheets**



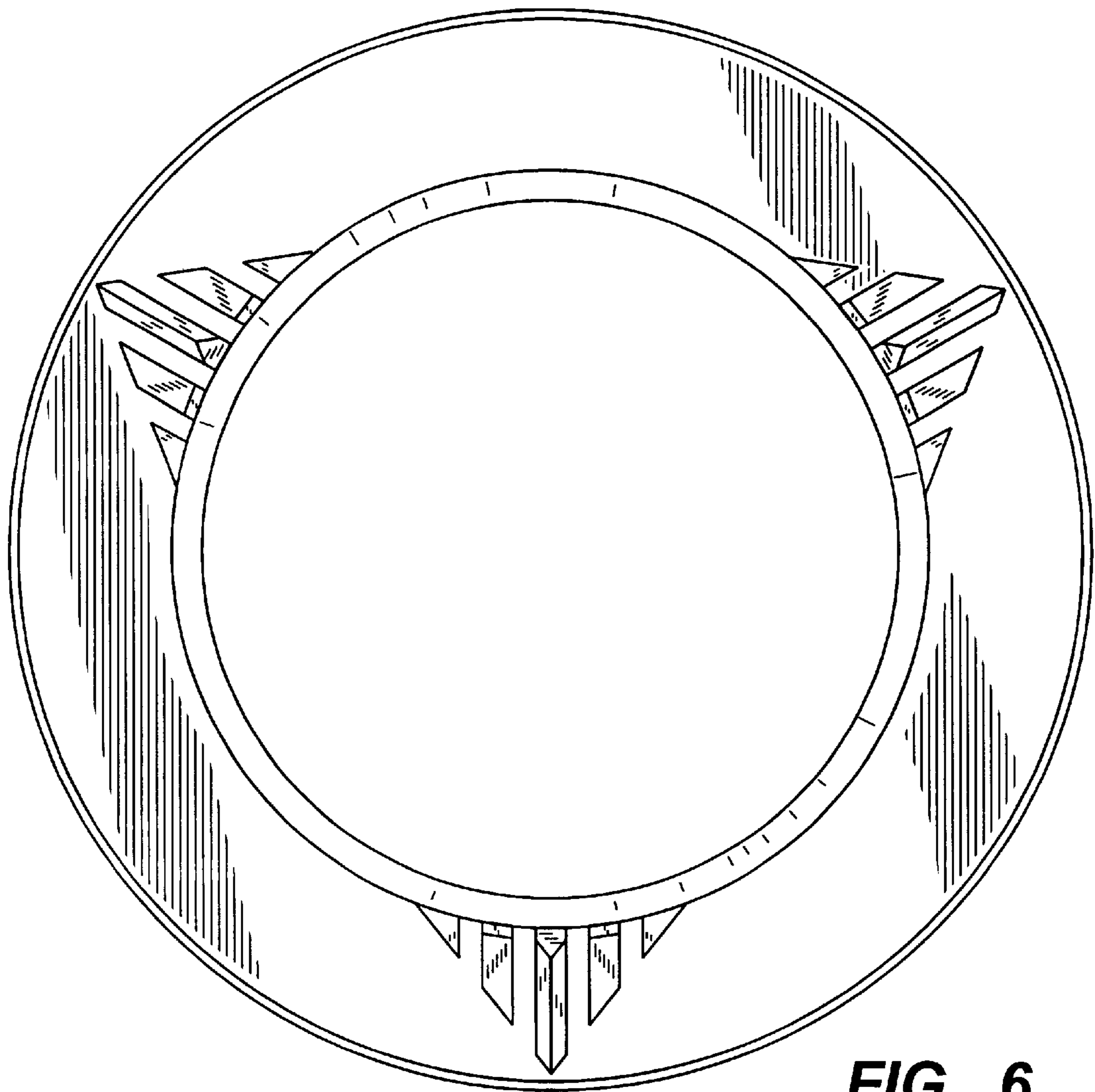


**FIG.\_1**

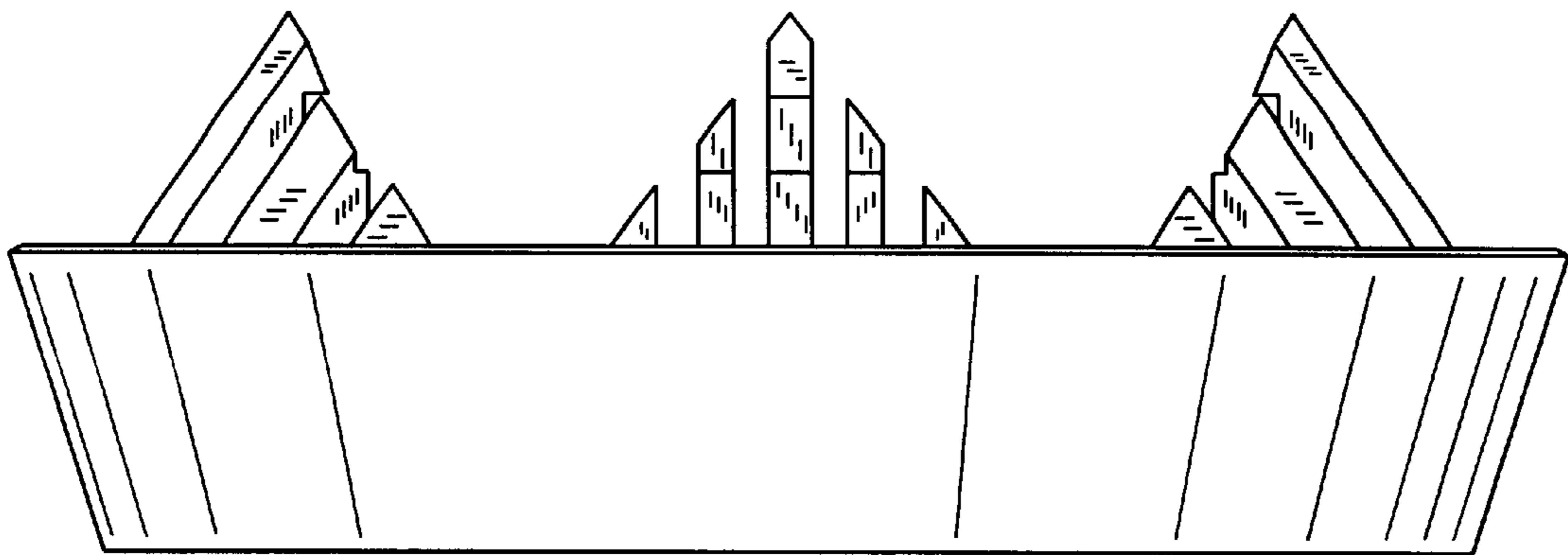




**FIG.\_3**

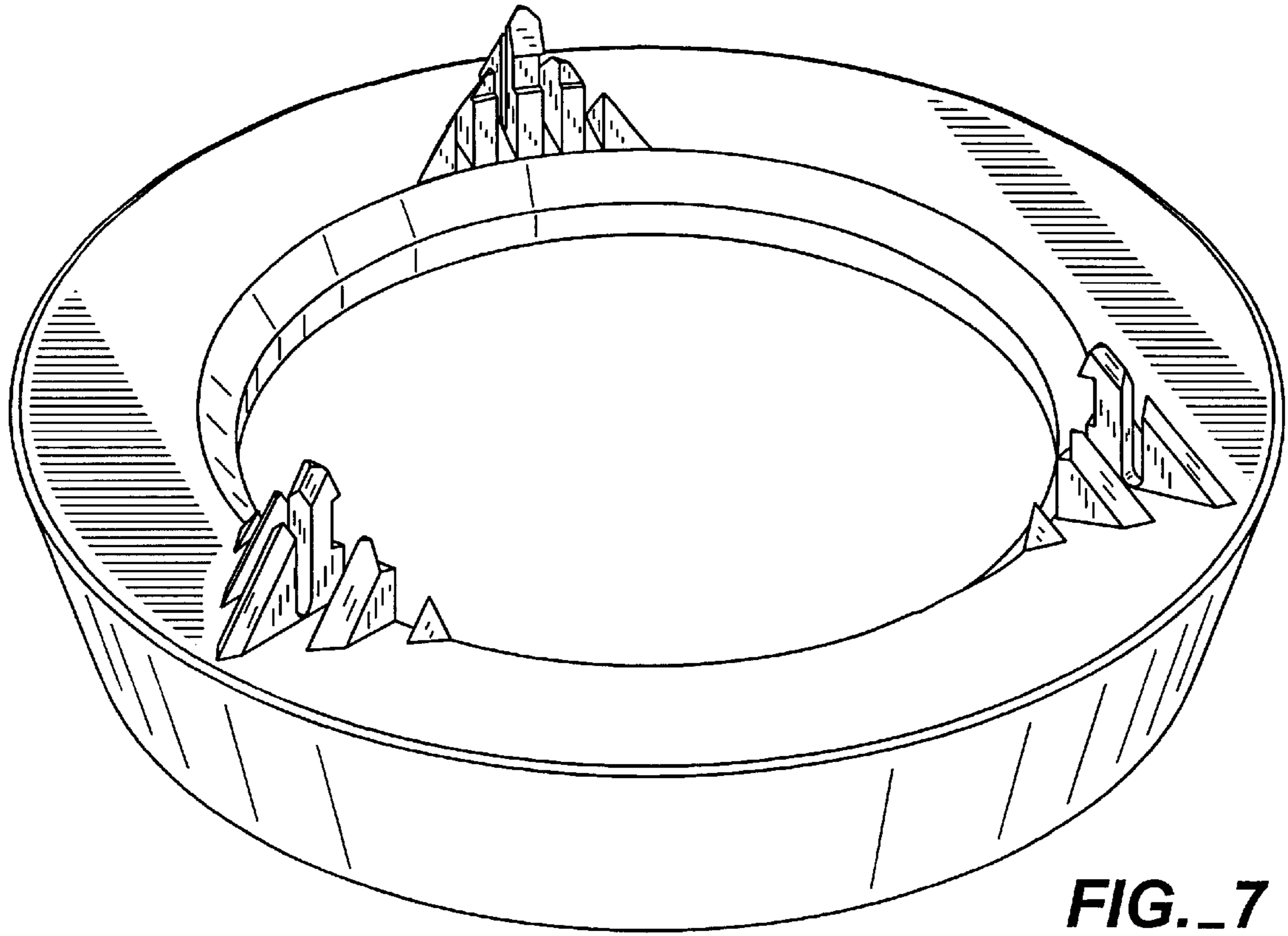


**FIG.\_6**

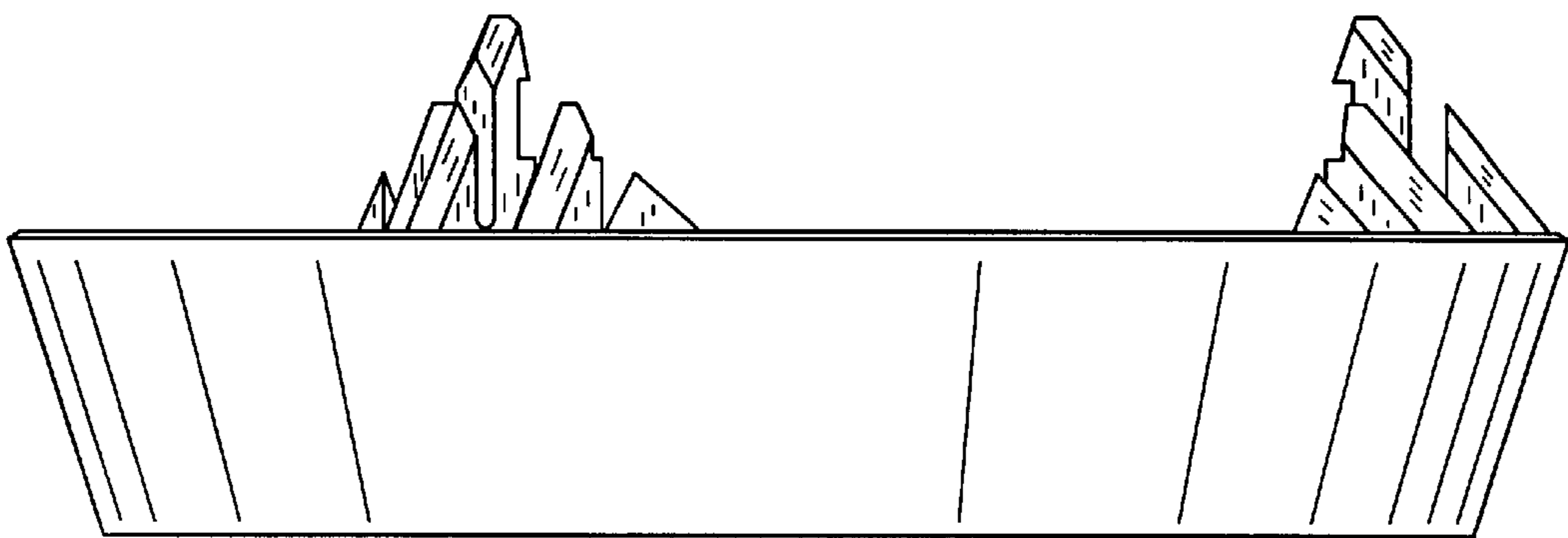


**FIG.\_5**

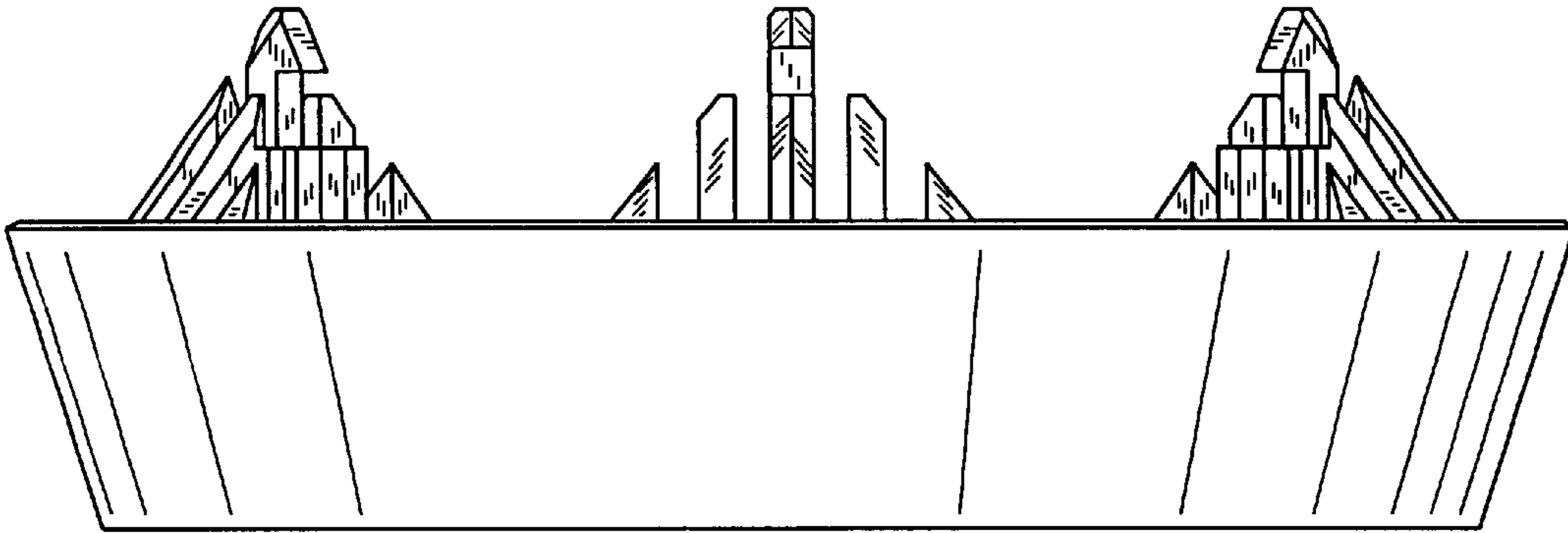




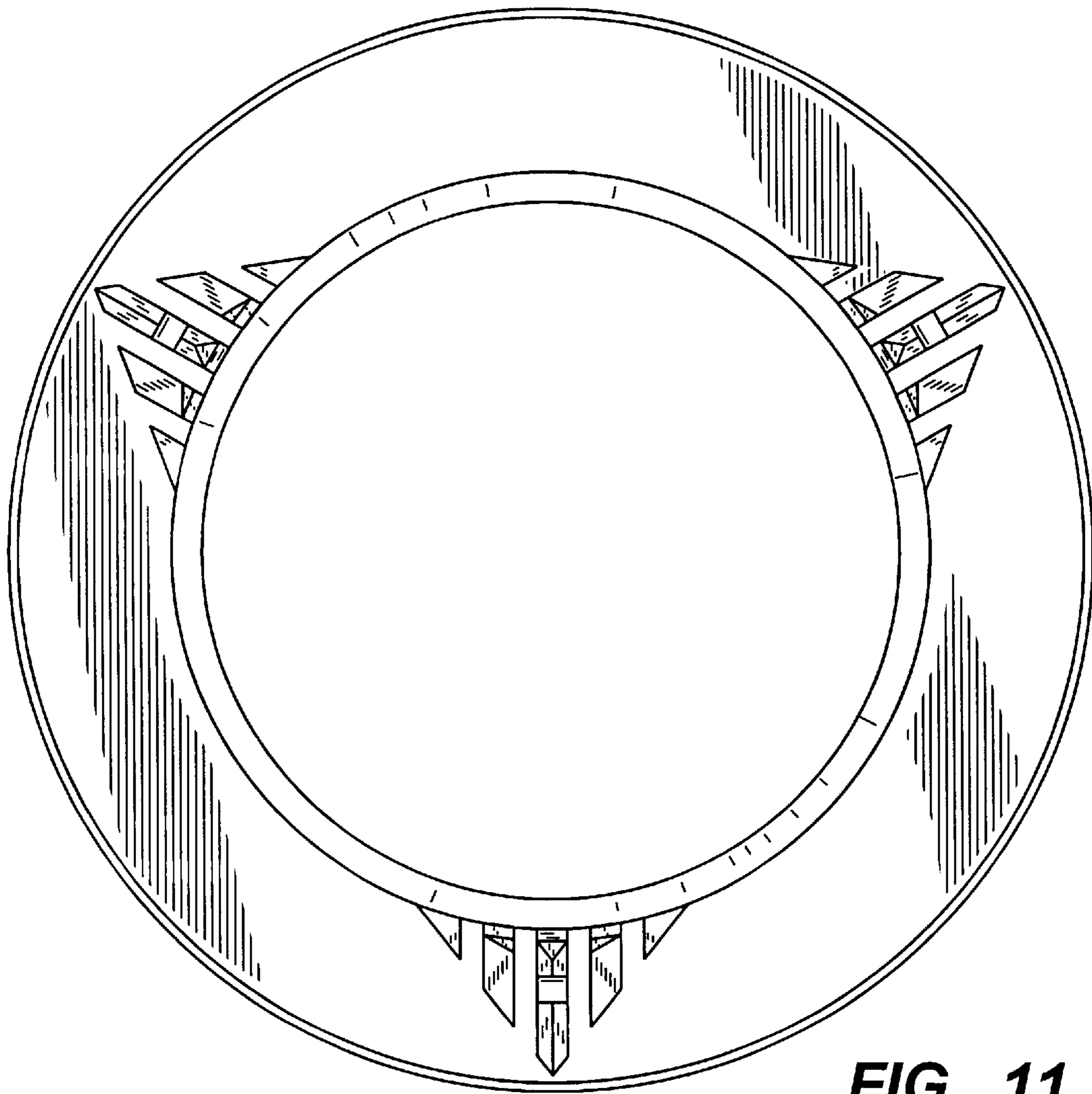
**FIG.\_7**



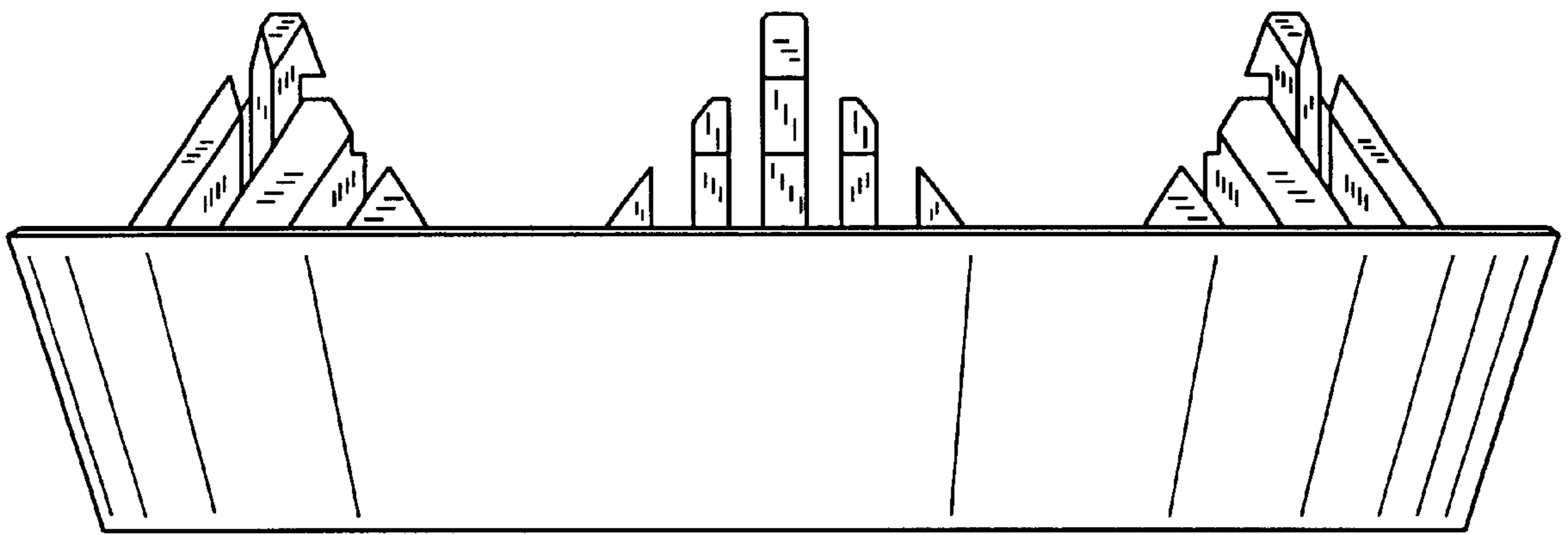
**FIG.\_9**



**FIG.\_8**



**FIG.\_11**



**FIG. 10**