



US00D451617B1

(12) **United States Design Patent**
David et al.

(10) **Patent No.:** **US D451,617 S**
(45) **Date of Patent:** **** Dec. 4, 2001**

(54) **WORKLIGHT**

(75) Inventors: **Jack David**, Los Angeles, CA (US);
Eric Tam Kim Ming, Kowloon (HK);
Paul G. Willard, Chicago, IL (US)

(73) Assignee: **Right Touch, Inc.**, Fountain Valley, CA (US)

(**) Term: **14 Years**

(21) Appl. No.: **29/136,251**

(22) Filed: **Jan. 26, 2001**

(51) **LOC (7) Cl.** **26-05**

(52) **U.S. Cl.** **D26/60**

(58) **Field of Search** D26/60-66; 362/269,
362/277, 282, 285, 396, 418, 419, 428,
426, 393, 401, 387

(56) **References Cited**

U.S. PATENT DOCUMENTS

D. 89,736 * 5/1933 Bailey D26/60
5,195,823 * 3/1993 Sidabras 362/387

OTHER PUBLICATIONS

Taiwan Lighting, Nov. 1999, p. 172, work lamp
#CQ-500DF.*

Brochure entitled *Halogen Portable Lights*, Right Touch, Inc., (2 pages), approximately 1994.

* cited by examiner

Primary Examiner—Susan J. Lucas

(74) *Attorney, Agent, or Firm*—Knobbe, Martens, Olson & Bear, LLP

(57) **CLAIM**

The ornamental design for a worklight, as shown and described.

DESCRIPTION

FIG. 1 is a perspective view of a worklight, showing my new design:

FIG. 2 is a front elevational view thereof;

FIG. 3 is a rear elevational view thereof;

FIG. 4 is a left side elevational view thereof;

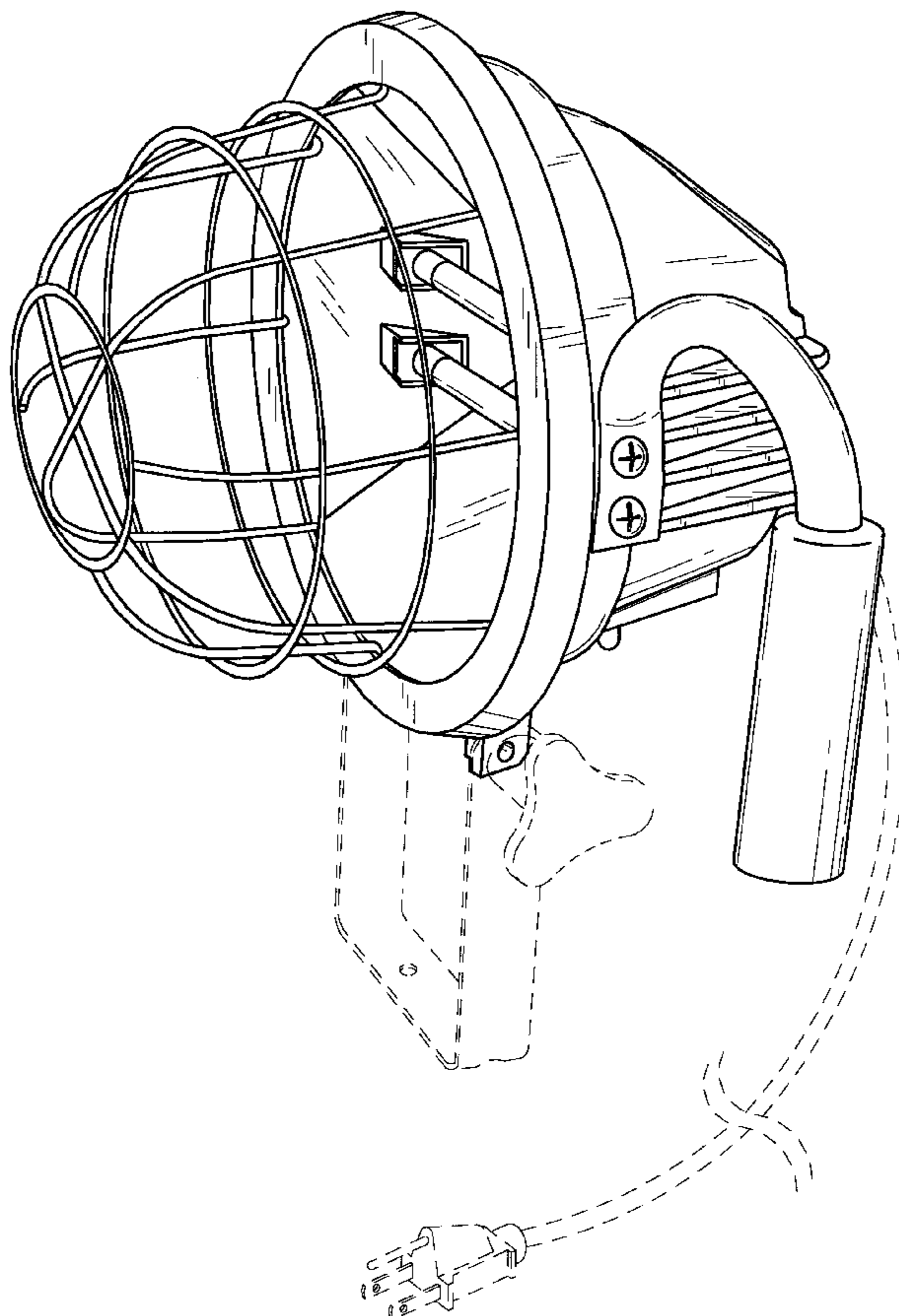
FIG. 5 is a right side elevational view thereof;

FIG. 6 is a top plan view of thereof; and,

FIG. 7 is a bottom plan view thereof.

The broken lines are shown for illustrative purposes only and form no part of the claimed design.

1 Claim, 4 Drawing Sheets



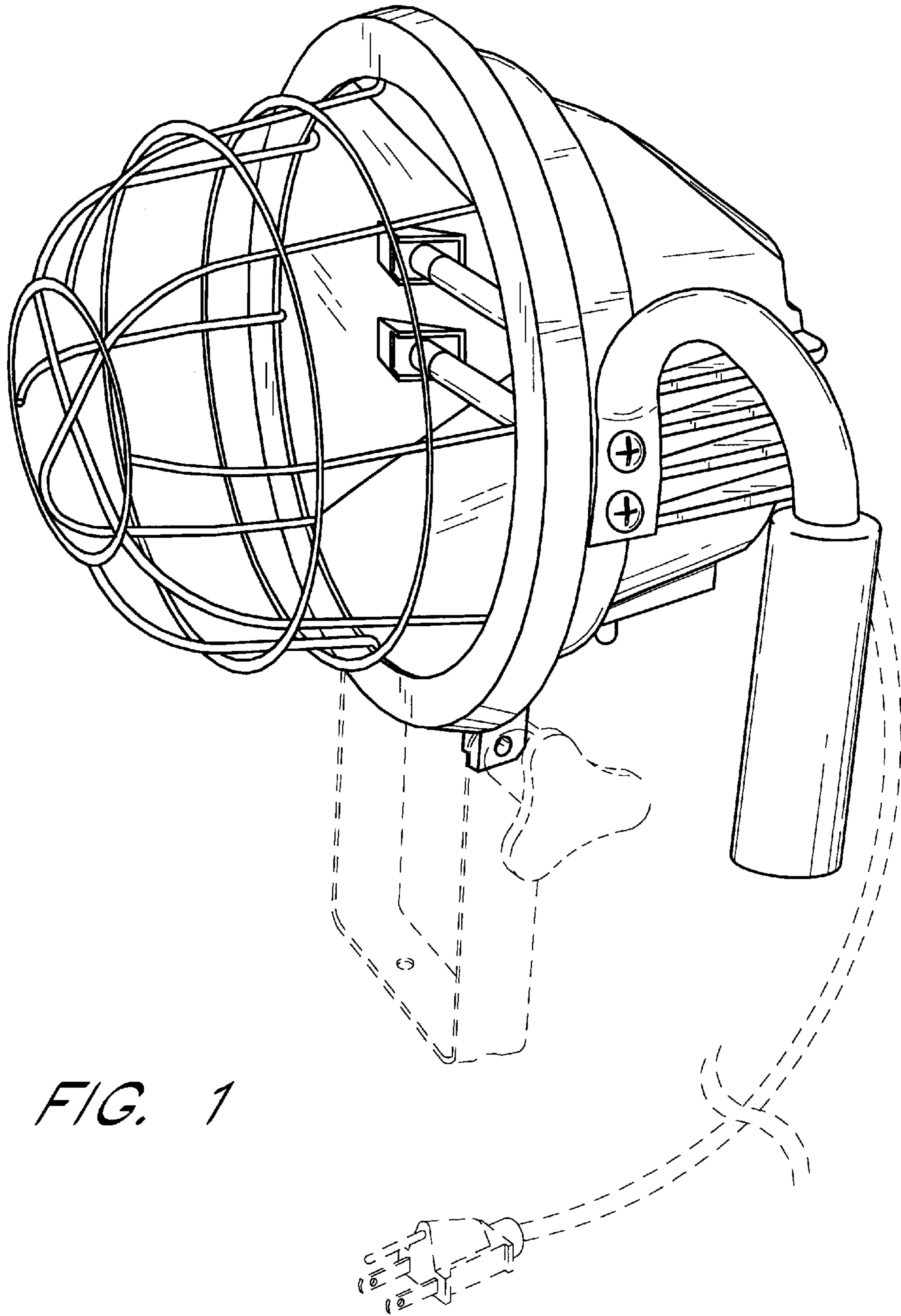


FIG. 1

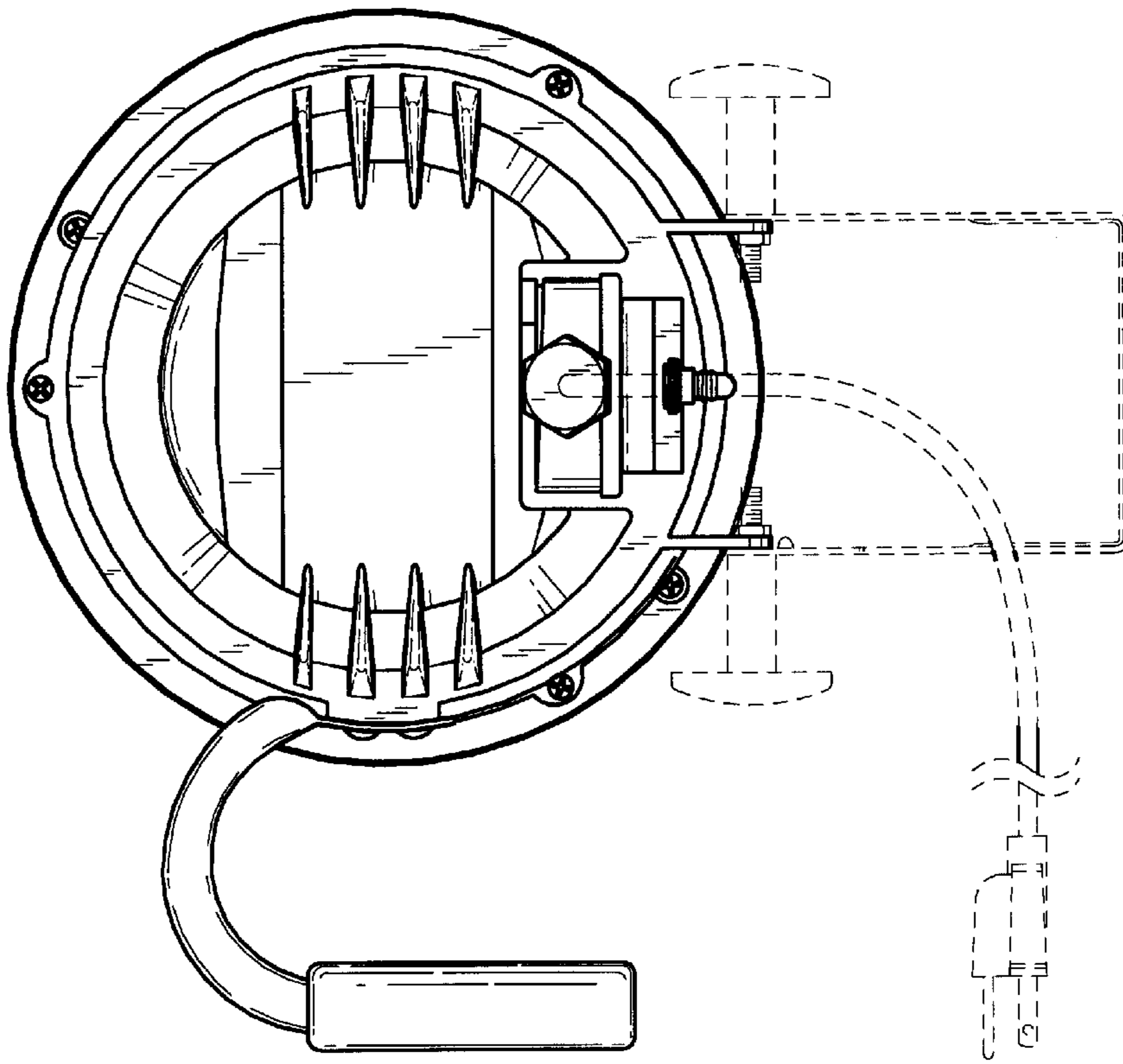


FIG. 2

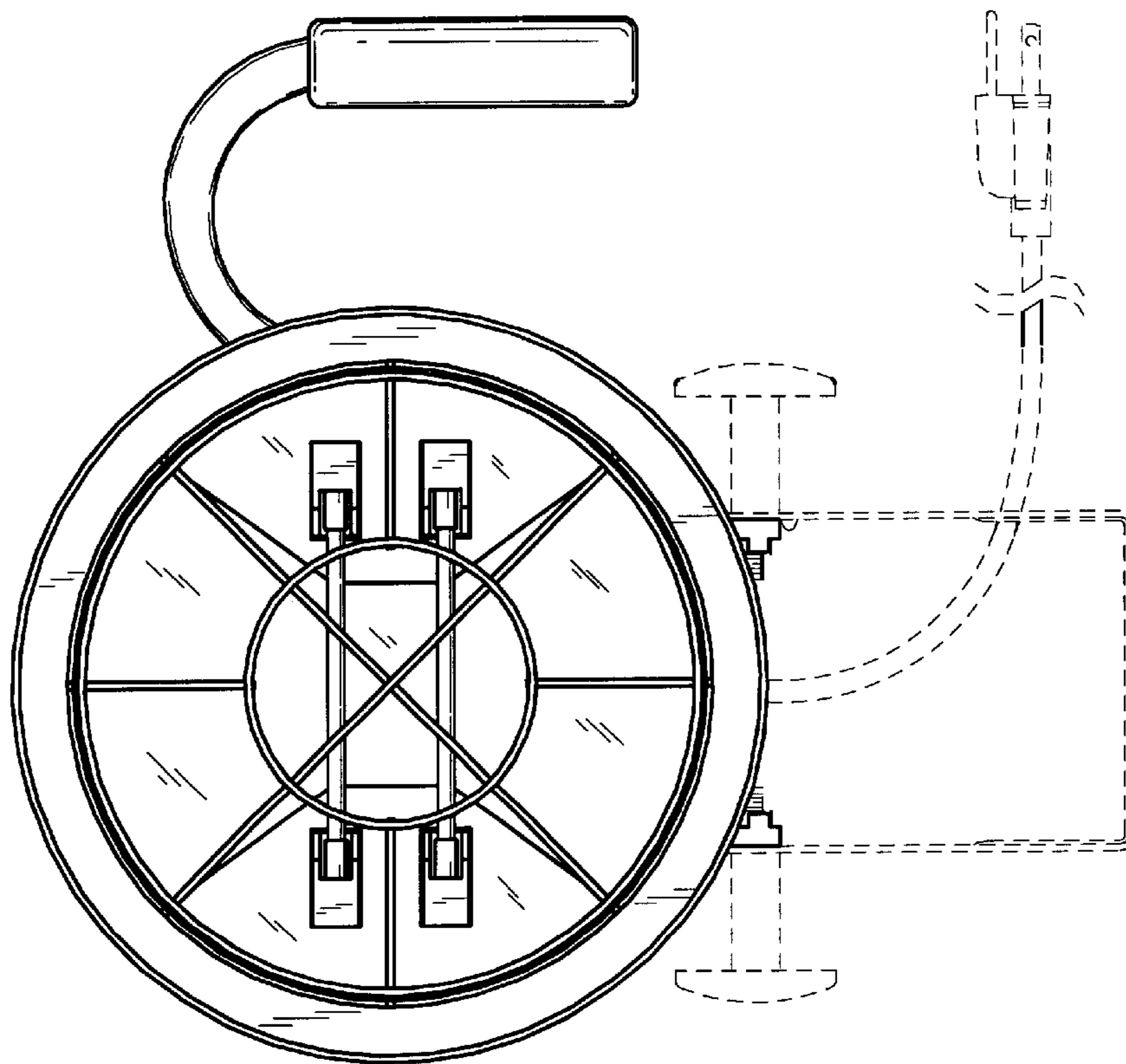


FIG. 3

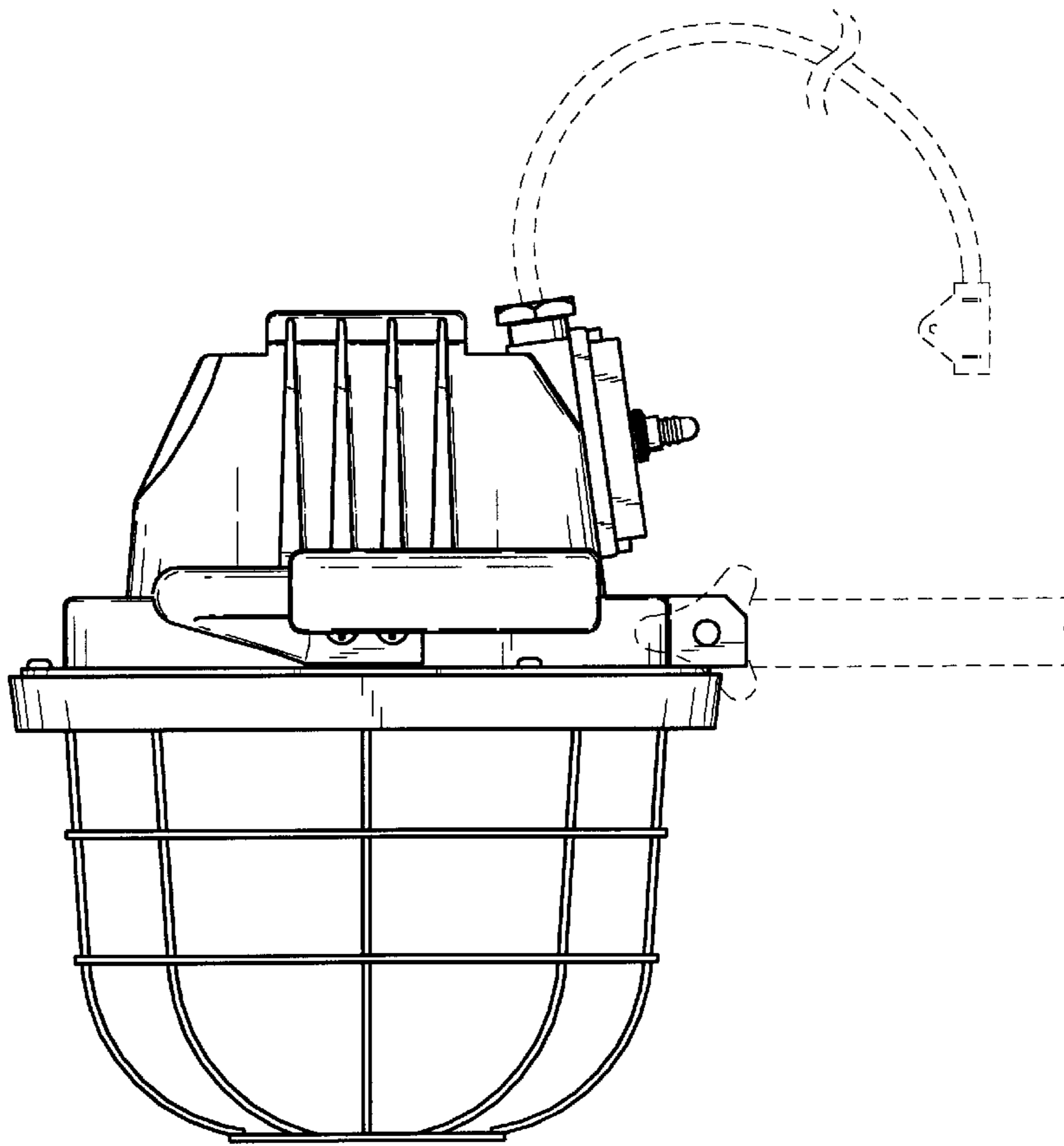


FIG. 5

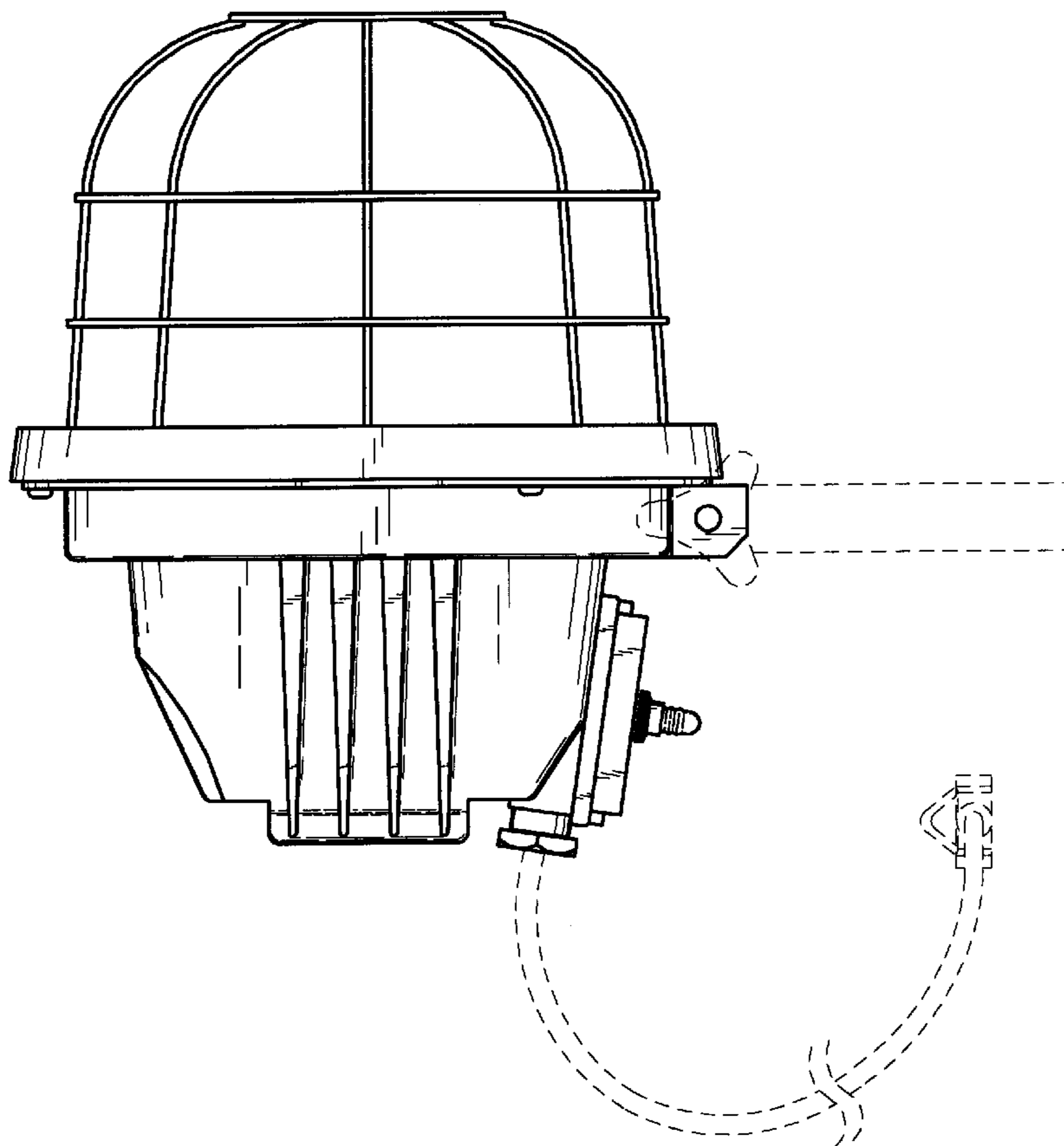


FIG. 4

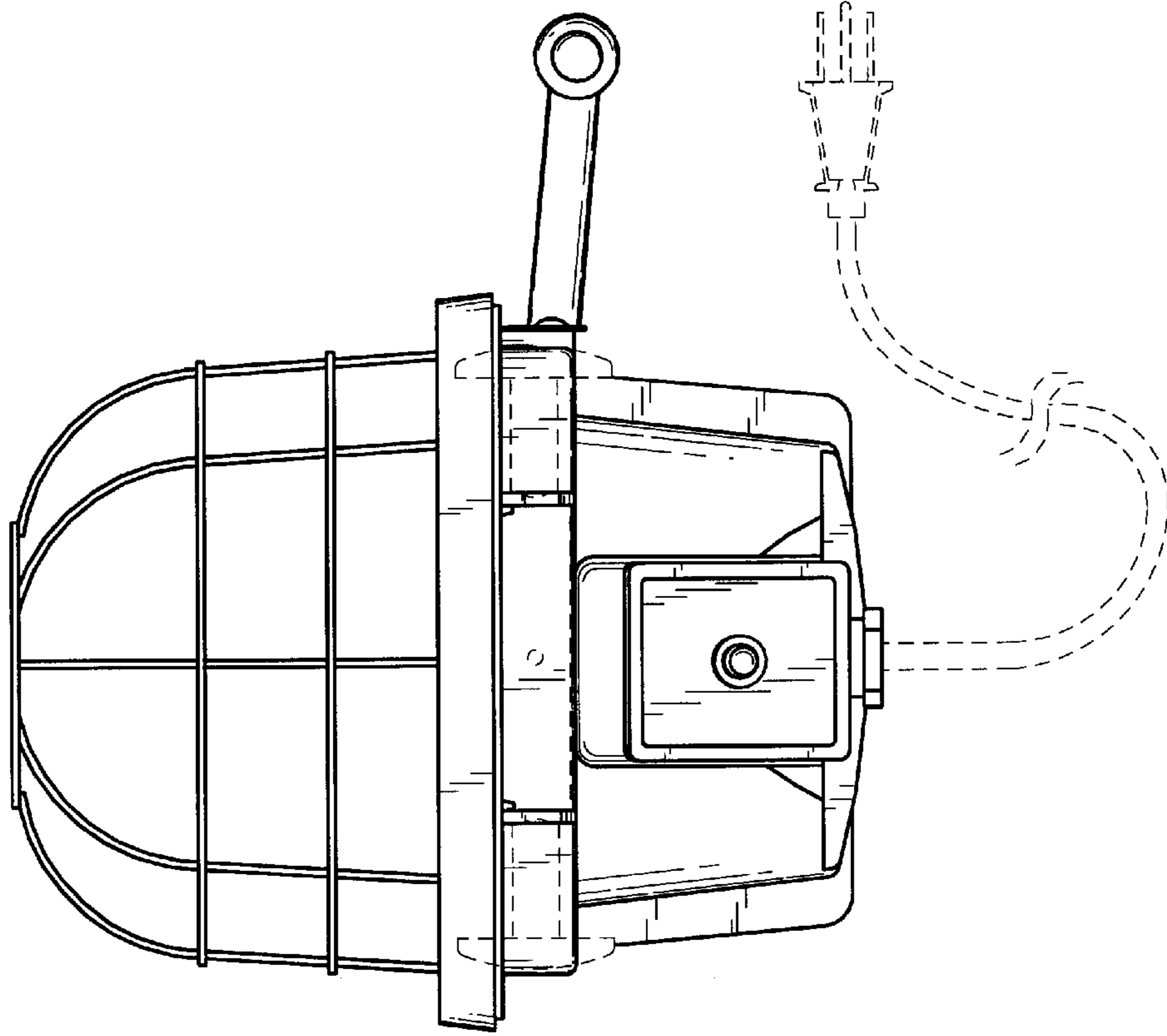


FIG. 6

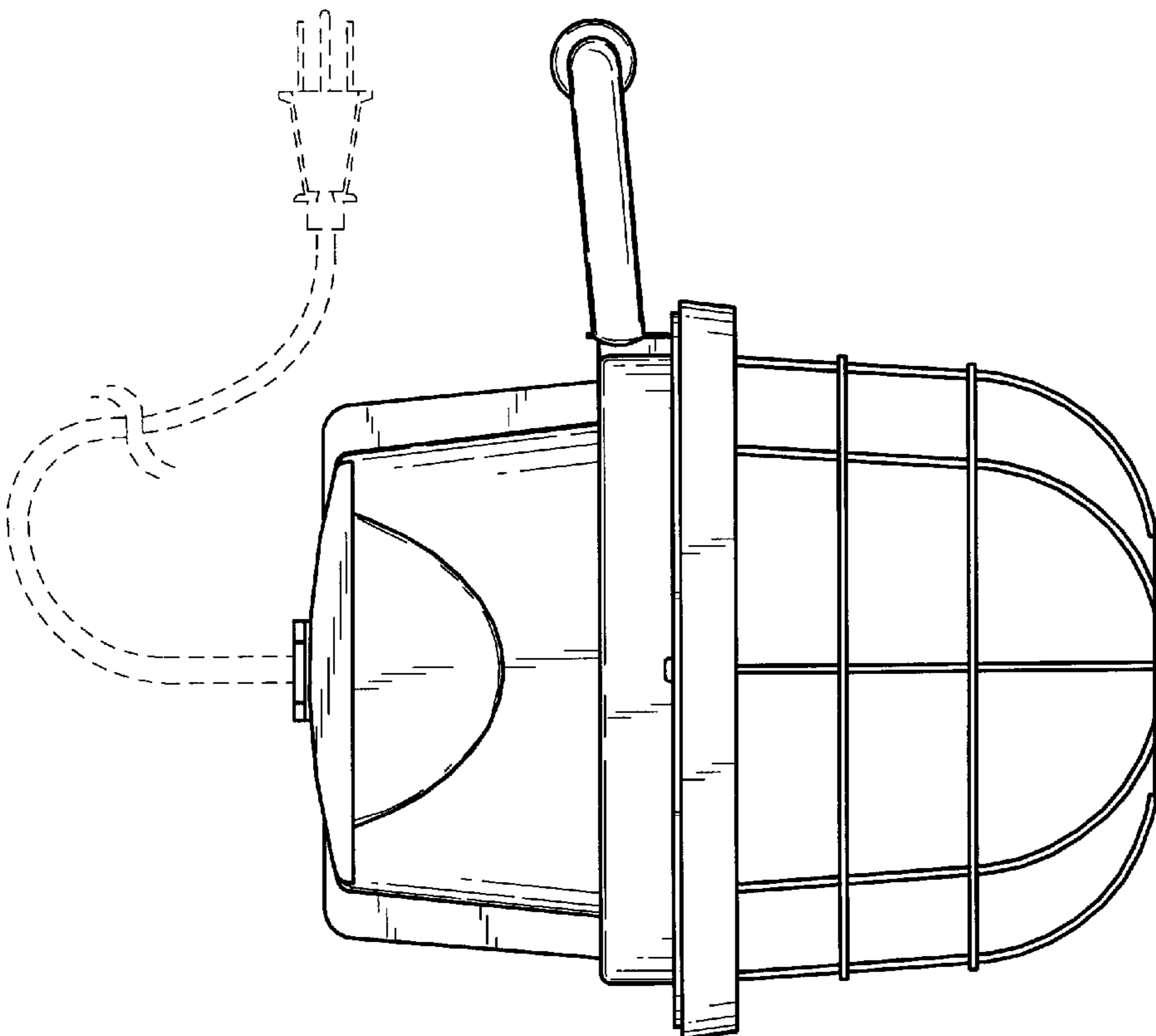


FIG. 7