



US00D451613B1

(12) **United States Design Patent**
Merrick

(10) **Patent No.:** **US D451,613 S**

(45) **Date of Patent:** **** Dec. 4, 2001**

- (54) **OPINION FENCE POST FINIAL**
- (75) Inventor: **Richard James Merrick**, Alda, NE (US)
- (73) Assignee: **T.M.C., Inc.**, Alda, NE (US)
- (**) Term: **14 Years**
- (21) Appl. No.: **29/116,399**
- (22) Filed: **Mar. 21, 2000**
- (51) **LOC (7) Cl.** **25-01**
- (52) **U.S. Cl.** **D25/135**
- (58) **Field of Search** D25/135, 38; 52/300, 52/301; 256/65, 66

- 4,722,514 2/1988 Pettit .
- 4,809,955 3/1989 Veilleux .
- 4,883,256 11/1989 Hebda .
- 4,926,785 5/1990 Lamson .
- 4,991,823 2/1991 Stanish, Jr. .
- 5,078,367 1/1992 Simpson et al. .
- 5,149,060 9/1992 Boes .
- 5,150,885 9/1992 Leone .

(List continued on next page.)

OTHER PUBLICATIONS

Invention Disclosure Form for Pressure Fit System for Fence Post Tops, James Tommy Lee & Richard James Merrick, Dec. 17, 1999.

Invention Disclosure Form for Standard Deluxe Stackable Fence Post Top, Richard James Merrick, Dec. 17, 1999.

E-Mail from Richard James Merrick to Ria Farrell Schalnat, advertisement from Fencepost dated Jan./Feb. 2000, p. 22.

Invention Disclosure for Designs, Dec. 17, 1999.

Letter from Matt Kasap to Ria Farrell Schalnat, Nov. 17, 1999.

Primary Examiner—Doris Clark
 (74) *Attorney, Agent, or Firm*—Frost Brown Todd LLC

(57) **CLAIM**

The ornamental design for a opinion fence post finial, as shown and described.

DESCRIPTION

FIG. 1 is a front perspective view showing the opinion fence post finial of the present invention.

FIG. 2 is a top plan view showing the opinion fence post finial of the present invention.

FIG. 3 is a front elevational view thereof.

FIG. 4 is a bottom plan view thereof; and,

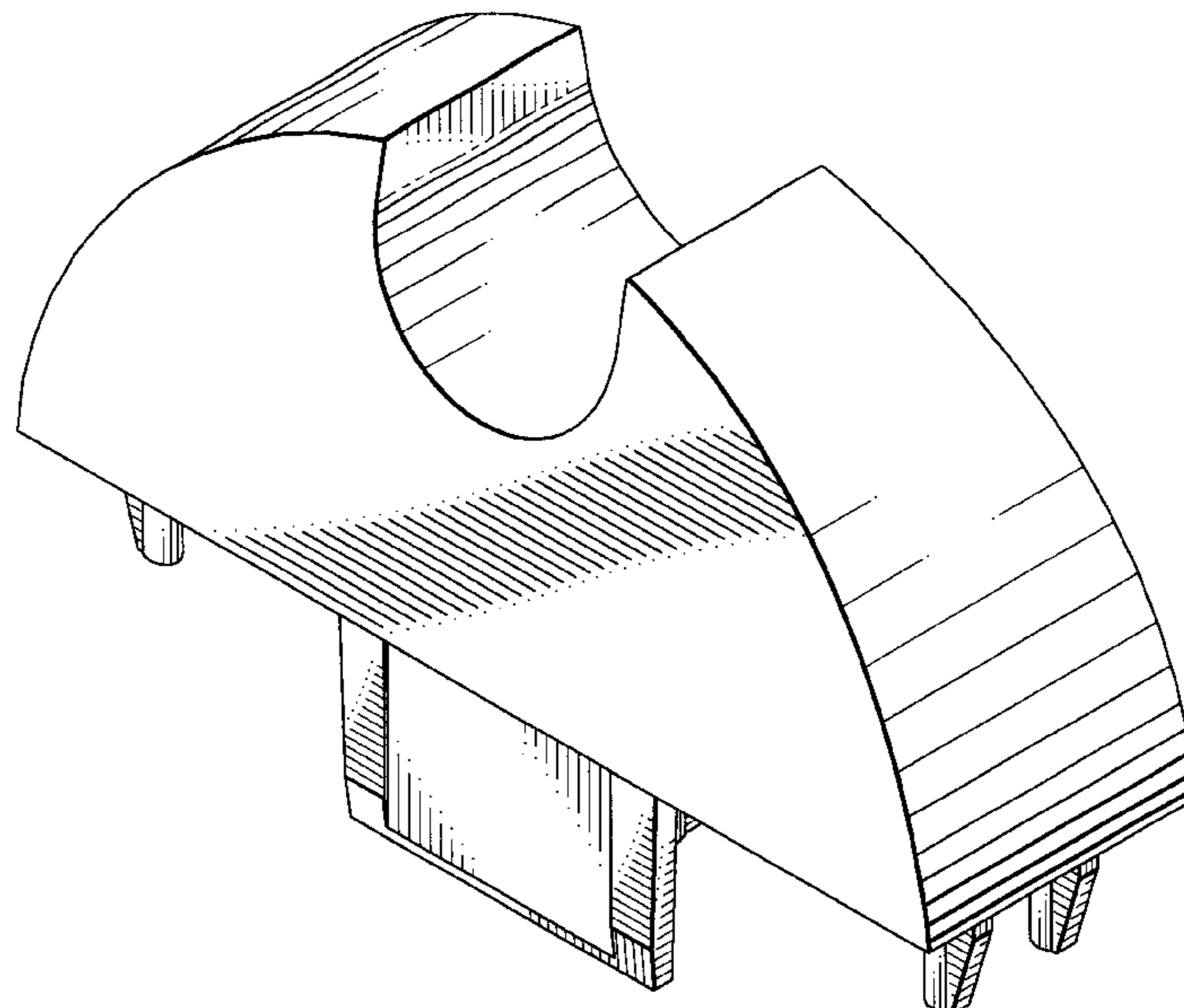
FIG. 5 is a side elevational view thereof.

1 Claim, 3 Drawing Sheets

(56) **References Cited**

U.S. PATENT DOCUMENTS

D. 186,379	*	10/1959	Ross	D25/135
D. 239,038	*	3/1976	Hirst	D25/135
D. 239,452	*	4/1976	Russo	D25/135
D. 269,209		5/1983	Hegarty	.	
D. 340,404		10/1993	Prezner	.	
D. 348,526		7/1994	Nowotny	.	
D. 382,984	*	8/1997	Junell	D25/135
D. 391,377		2/1998	Langlie et al.	.	
D. 399,263		10/1998	Christopher	.	
3,648,981		3/1972	Allen	.	
3,720,401		3/1973	Loch	.	
3,799,506		3/1974	Schwartz	.	
3,806,095		4/1974	Ford	.	
3,891,189		6/1975	Russo	.	
3,957,250		5/1976	Murphy	.	
3,960,367		6/1976	Rogers	.	
4,103,875		8/1978	Glass	.	
4,240,615		12/1980	Sickler	.	
4,324,388		4/1982	Klaser	.	
4,364,546		12/1982	Lyman et al.	.	
4,602,765		7/1986	Loper	.	
4,667,935		5/1987	Moore	.	



US D451,613 S

Page 2

U.S. PATENT DOCUMENTS

			5,601,279	2/1997	Schwartz et al. .
			5,651,534	7/1997	Yoder .
			5,660,376	8/1997	West .
			5,702,090	12/1997	Edgman .
			5,853,167	12/1998	West .
			5,857,664	1/1999	Schauman .
			5,931,450	8/1999	Yoder .
			5,938,184	8/1999	DeSouza .
5,192,054	3/1993	Sharp .			
5,301,926	4/1994	Sharp .			
5,332,196	7/1994	Wright .			
5,415,380	5/1995	Sharp .			
5,421,556	6/1995	Dodge et al. .			
5,529,289	6/1996	Lancer, Sr. .			
5,531,427	7/1996	Quarles .			
5,577,710	11/1996	Kirby .			
5,601,278	2/1997	Graber .			

* cited by examiner

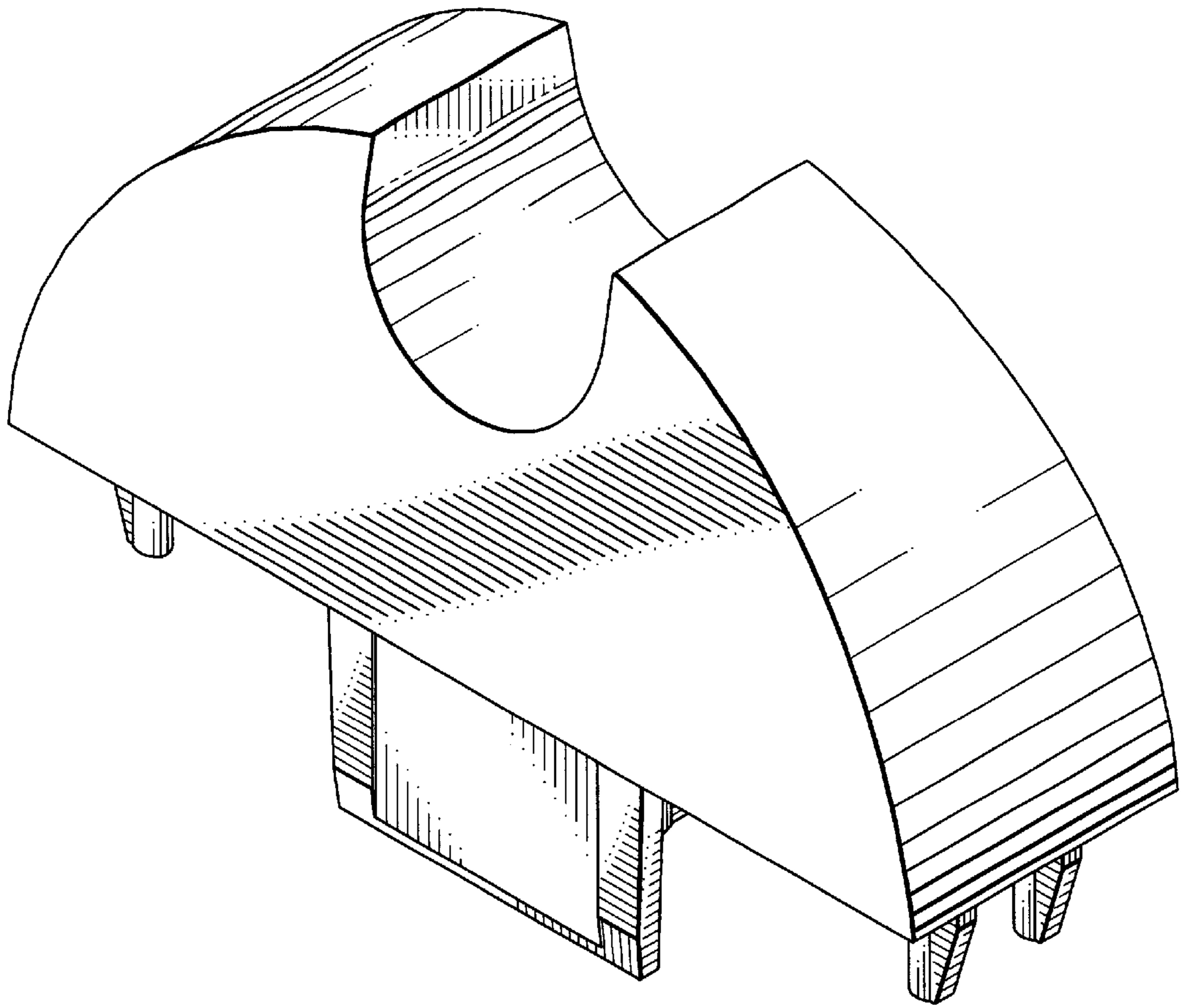


FIG. 1

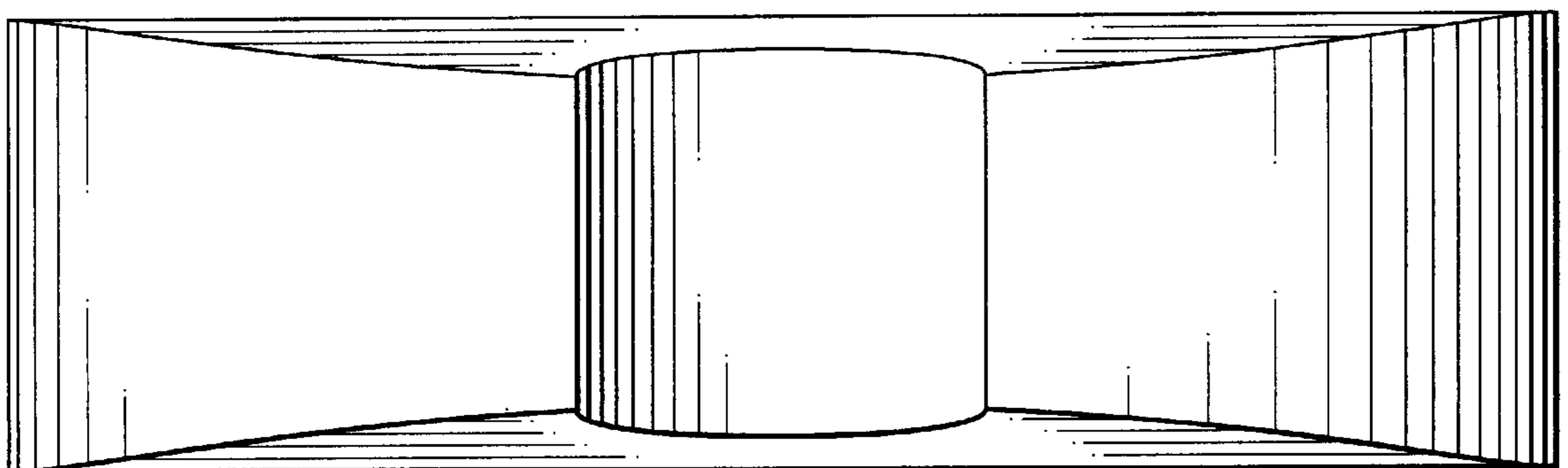


FIG. 2

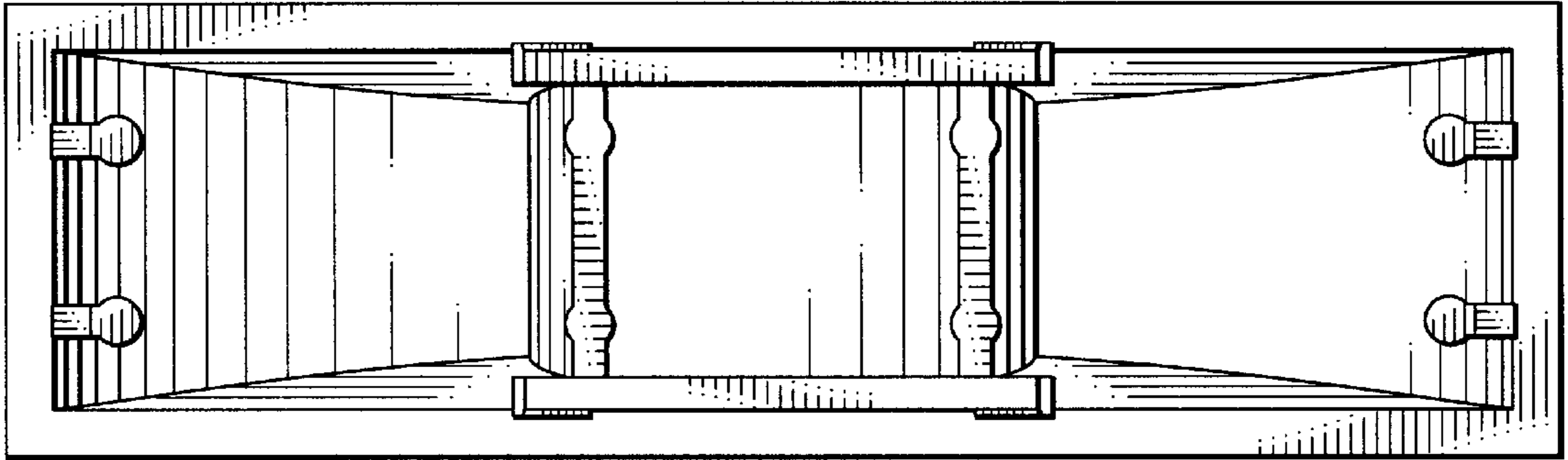


FIG. 3

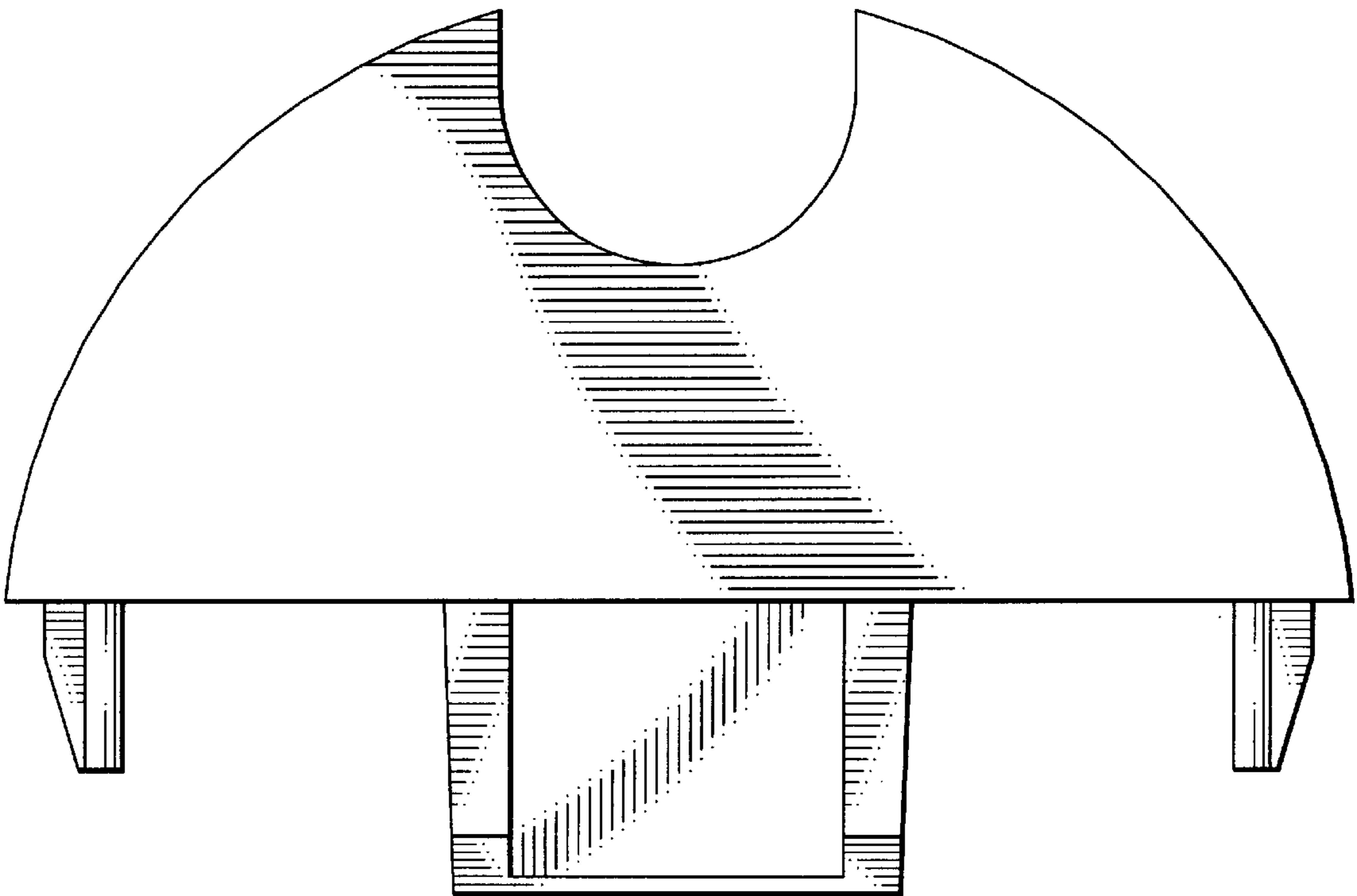


FIG. 4

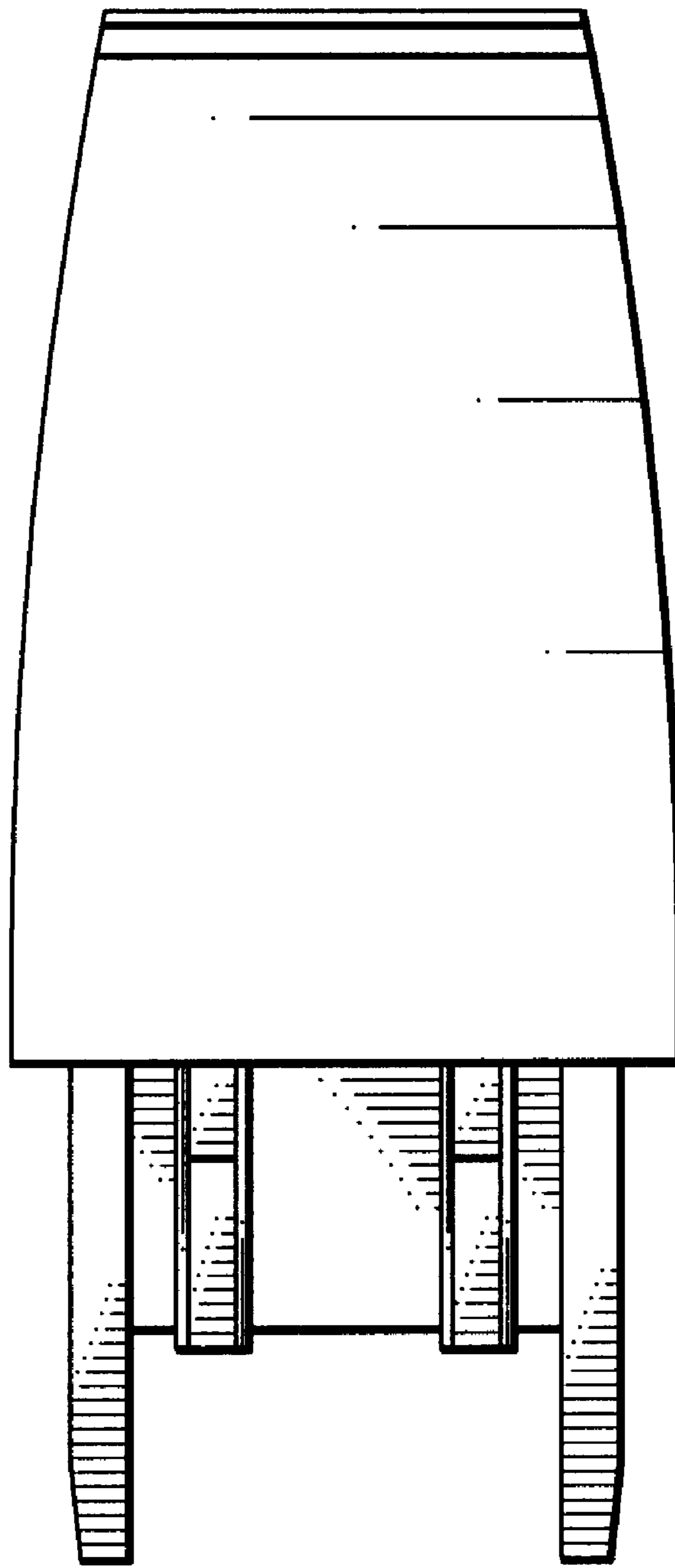


FIG. 5