



US00D451601B1

(12) **United States Design Patent**
Crawford et al.

(10) **Patent No.:** **US D451,601 S**

(45) **Date of Patent:** **** Dec. 4, 2001**

(54) **NEEDLE ASSEMBLY**

(75) Inventors: **Jamieson William Maclean Crawford,**
New York, NY (US); **Stefanie Livanos,**
Bethlehem, PA (US)

(73) Assignee: **Becton, Dickinson and Company,**
Franklin Lakes, NJ (US)

(**) Term: **14 Years**

(21) Appl. No.: **29/135,097**

(22) Filed: **Jan. 5, 2001**

(51) **LOC (7) Cl.** **24-02**

(52) **U.S. Cl.** **D24/130; D24/112**

(58) **Field of Search** D24/112, 130,
D24/128, 146, 147; 604/192, 263, 165.03,
164.04, 164.08, 164.03, 165.04, 198, 164.01,
164.07; 600/573, 567; 128/DIG. 28

(56) **References Cited**

U.S. PATENT DOCUMENTS

- D. 395,501 * 6/1998 Erskine et al. D24/112
- D. 408,530 * 4/1999 Eliassen et al. D24/112
- 4,738,658 * 4/1988 Magro et al. 604/537

- 4,775,367 * 10/1988 Schmidt 604/192
- 5,746,215 * 5/1998 Manjarrez 600/573
- 6,210,371 * 4/2001 Shaw 604/164.08

* cited by examiner

Primary Examiner—Ian Simmons

(74) *Attorney, Agent, or Firm*—Nanette S. Thomas

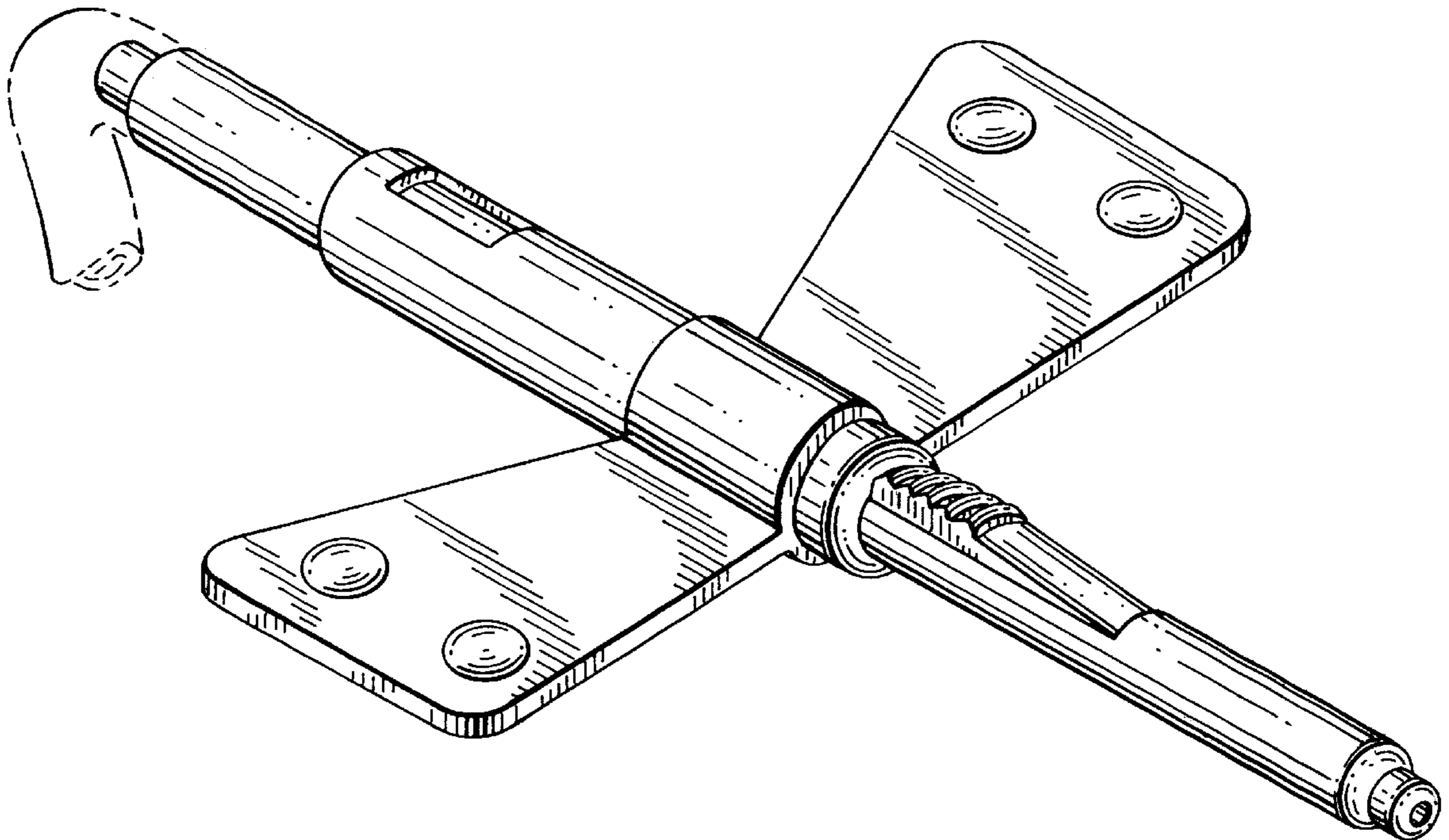
(57) **CLAIM**

The ornamental design of a needle assembly, as shown and described.

DESCRIPTION

FIG. 1 is a perspective view of a needle assembly showing our new design, the broken line showing is for illustrative purposes only and forms no part of the claimed design; FIG. 2 is a top plan view thereof; FIG. 3 is an end elevational view as viewed from the right of FIG. 2; FIG. 4 is a right side elevational view thereof, with the left side elevational view being a mirror image thereof; FIG. 5 is an end elevational view as viewed from the left of FIG. 2; and, FIG. 6 is a bottom plan view thereof.

1 Claim, 4 Drawing Sheets



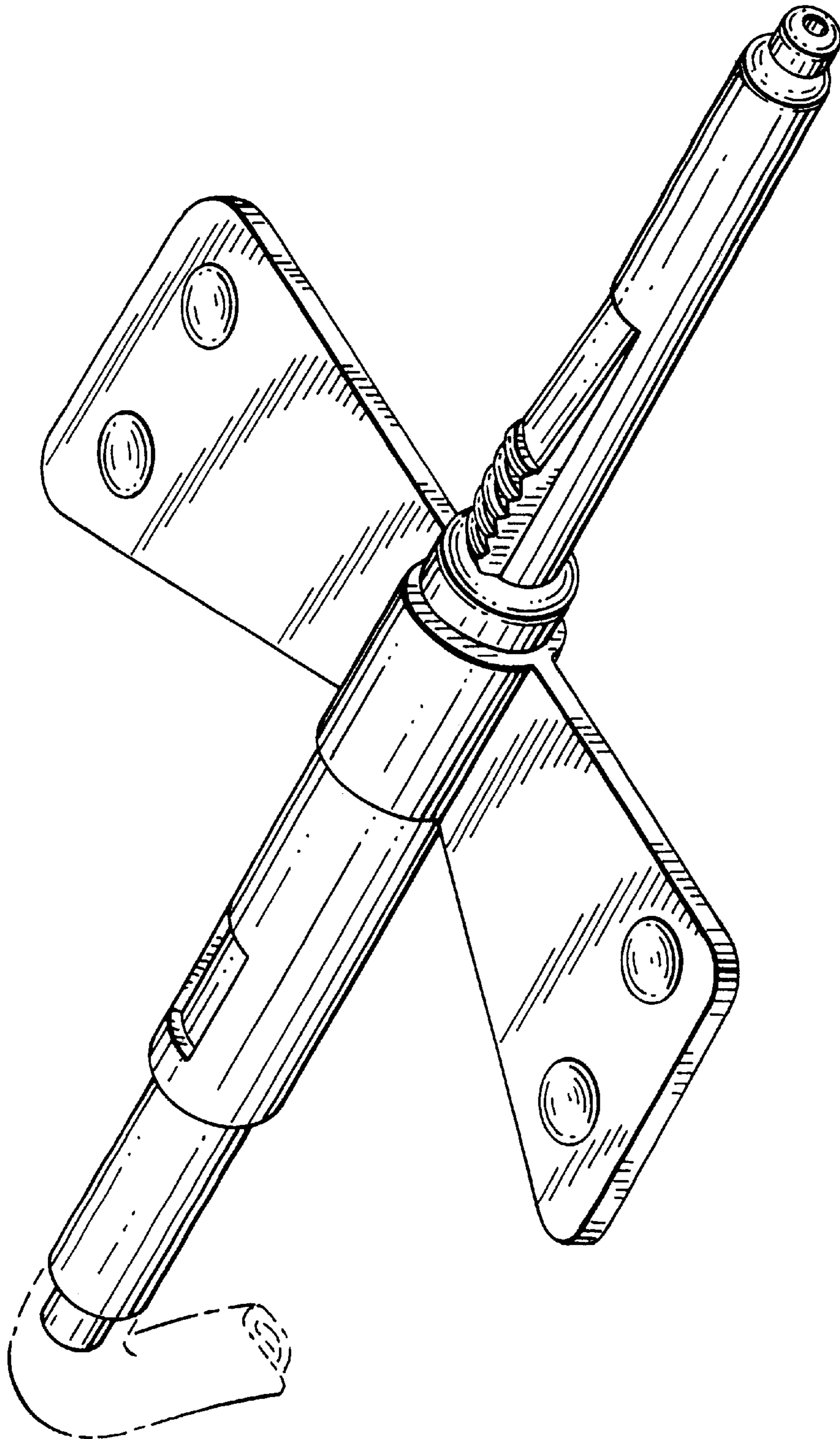


FIG. 1

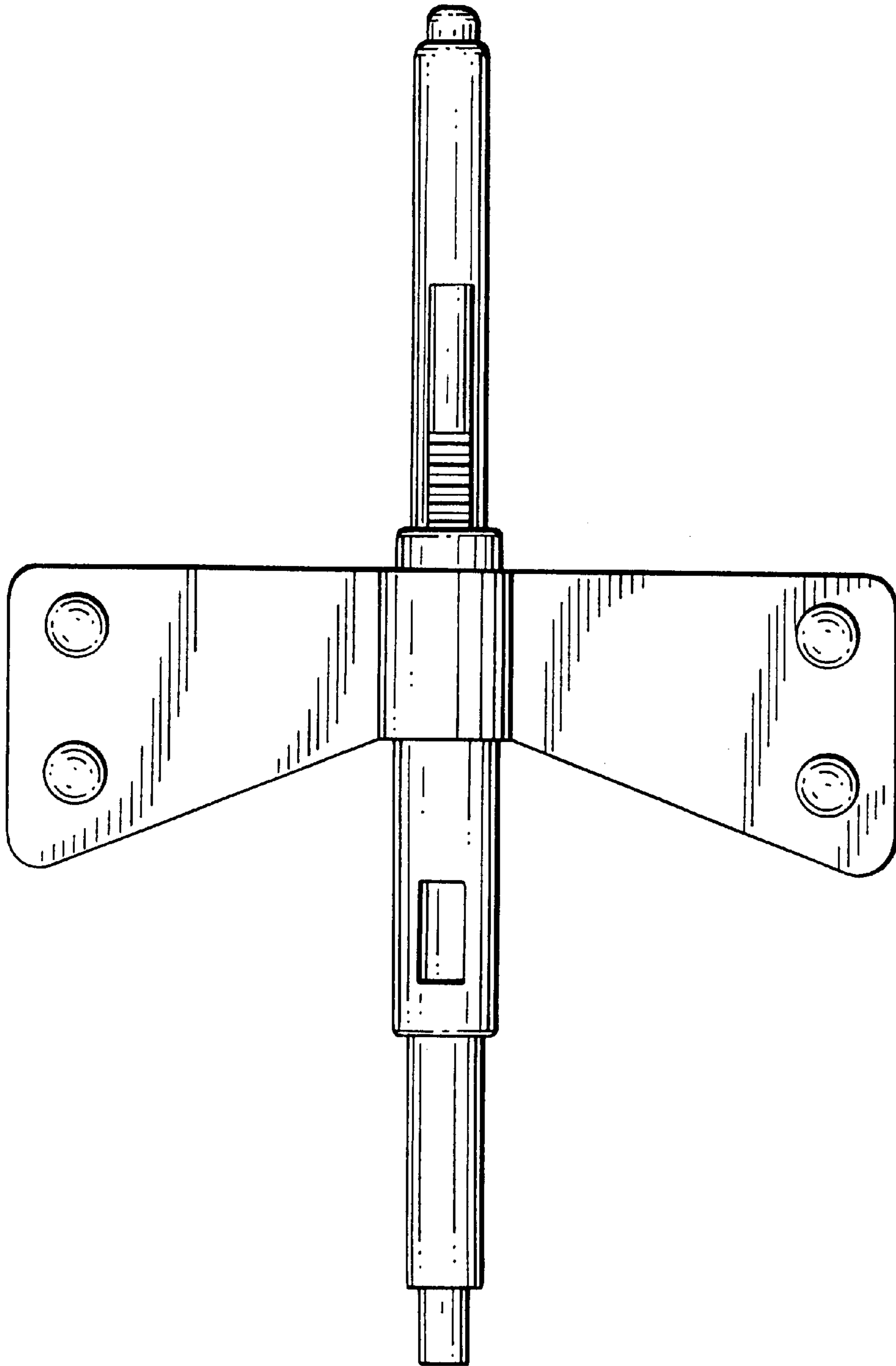


FIG. 2

FIG. 3

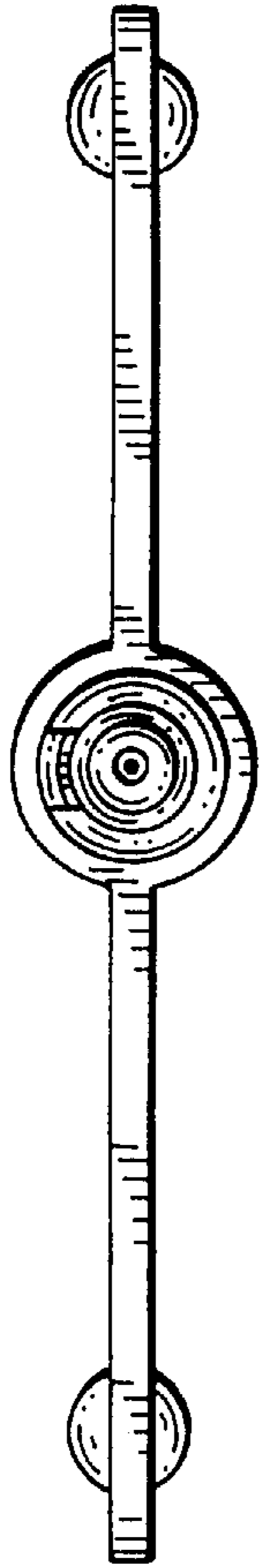


FIG. 4

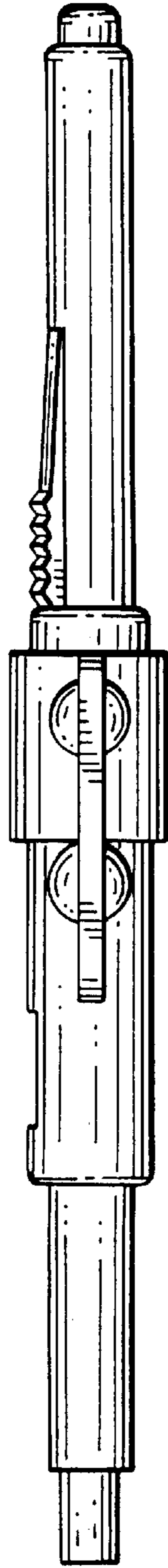
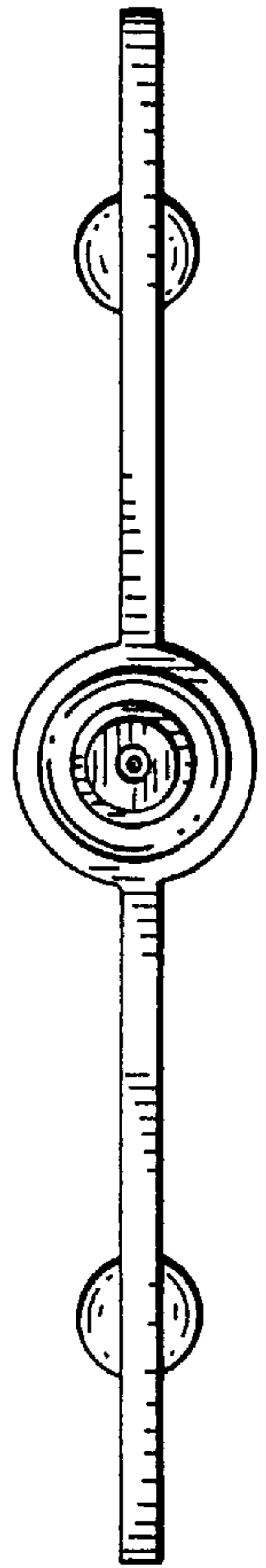


FIG. 5



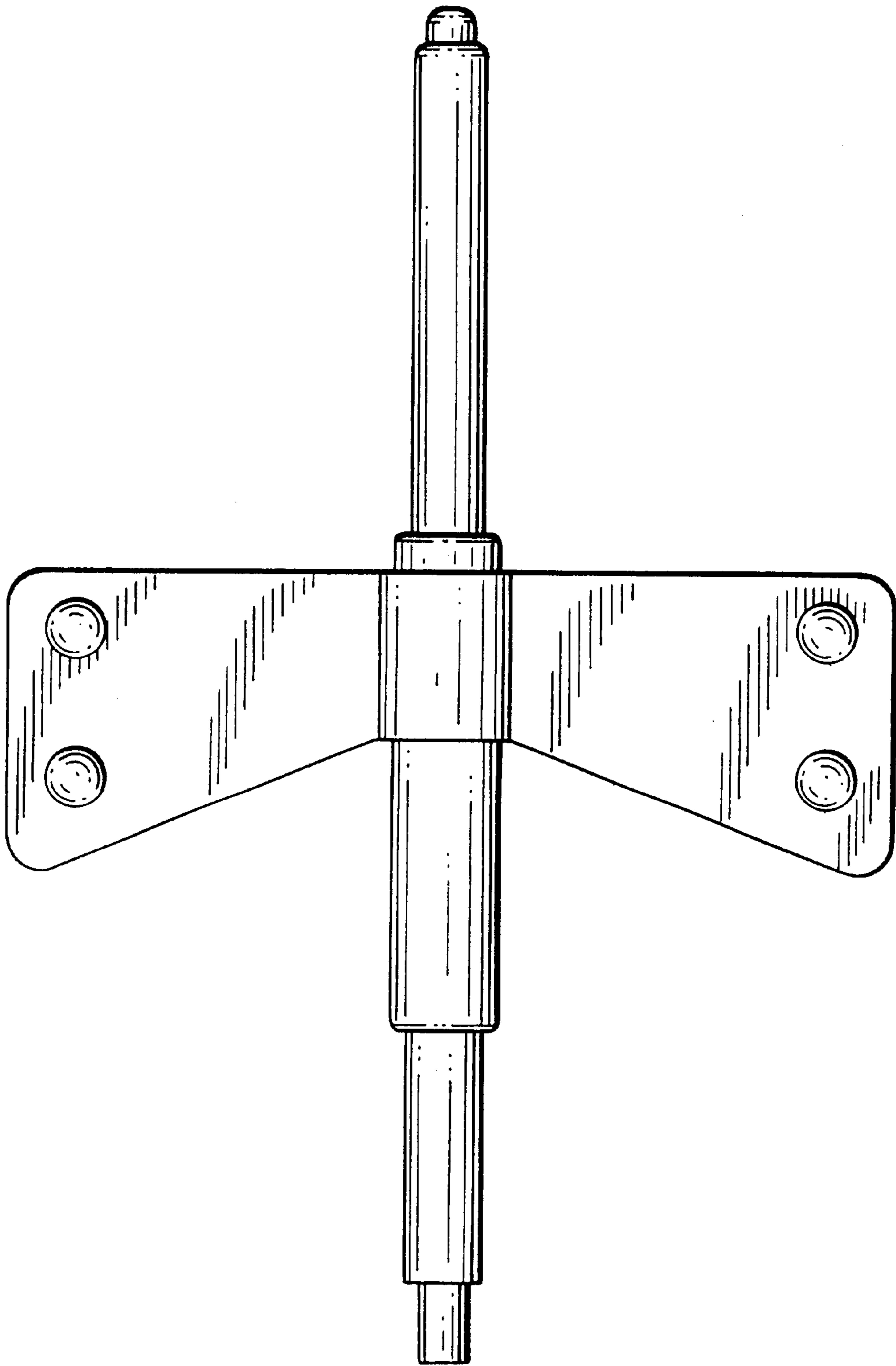


FIG. 6