



US00D451599B1

(12) **United States Design Patent**
Crawford et al.

(10) **Patent No.:** **US D451,599 S**

(45) **Date of Patent:** **** Dec. 4, 2001**

(54) **NEEDLE ASSEMBLY**

(75) **Inventors:** **Jamieson William Maclean Crawford,**
New York, NY (US); **Stefanie Livanos,**
Bethlehem, PA (US)

(73) **Assignee:** **Becton, Dickinson and Company,**
Franklin Lakes, NJ (US)

(**) **Term:** **14 Years**

(21) **Appl. No.:** **29/135,072**

(22) **Filed:** **Jan. 5, 2001**

(51) **LOC (7) Cl.** **24-02**

(52) **U.S. Cl.** **D24/112; D24/130**

(58) **Field of Search** D24/112, 130,
D24/128, 146, 147; 604/165.03, 164.04,
164.08, 164.03, 164.07, 164.01, 165.04,
198, 263, 192; 600/567, 573; 128/DIG. 26

(56) **References Cited**

U.S. PATENT DOCUMENTS

4,775,367 * 10/1988 Schmidt 604/192

4,834,708 * 5/1989 Pillari 604/165.04
5,312,359 * 5/1994 Wallace 604/198
5,676,656 * 10/1997 Brimhall 604/165.03
5,746,215 * 5/1998 Manjarrez 600/573
6,210,371 * 4/2001 Shaw 604/164.08

* cited by examiner

Primary Examiner—Ian Simmons

(74) *Attorney, Agent, or Firm*—Nanette S. Thomas

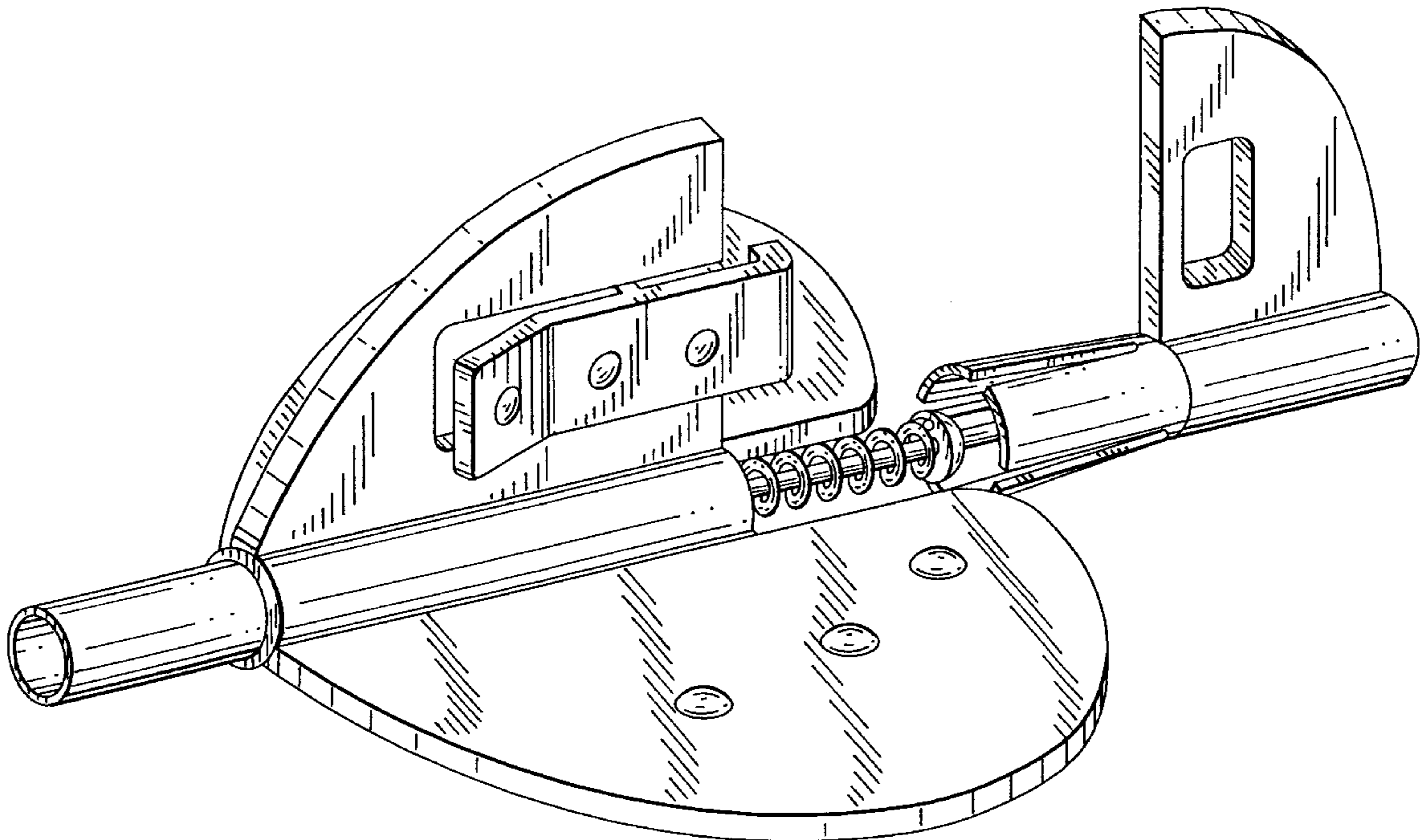
(57) **CLAIM**

The ornamental design of a needle assembly, as shown.

DESCRIPTION

FIG. 1 is a perspective view of the needle assembly;
FIG. 2 is a right side elevational view thereof;
FIG. 3 is a top plan view thereof;
FIG. 4 is an end elevational view as viewed from the right
of FIG. 2;
FIG. 5 is an end elevational view as viewed from the left of
FIG. 2;
FIG. 6 is a left side elevational view thereof; and,
FIG. 7 is a bottom plan view thereof.

1 Claim, 6 Drawing Sheets



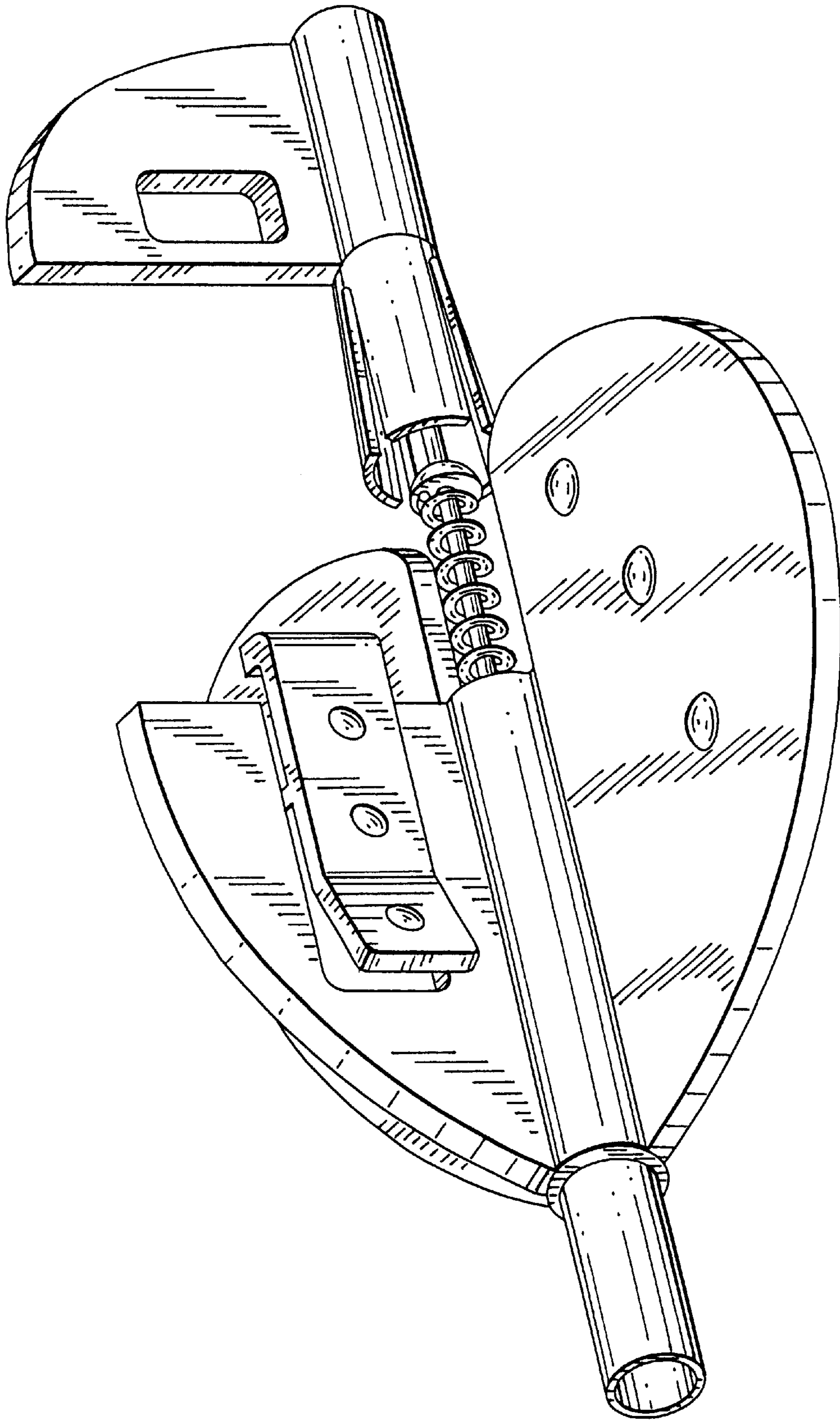


FIG. 1

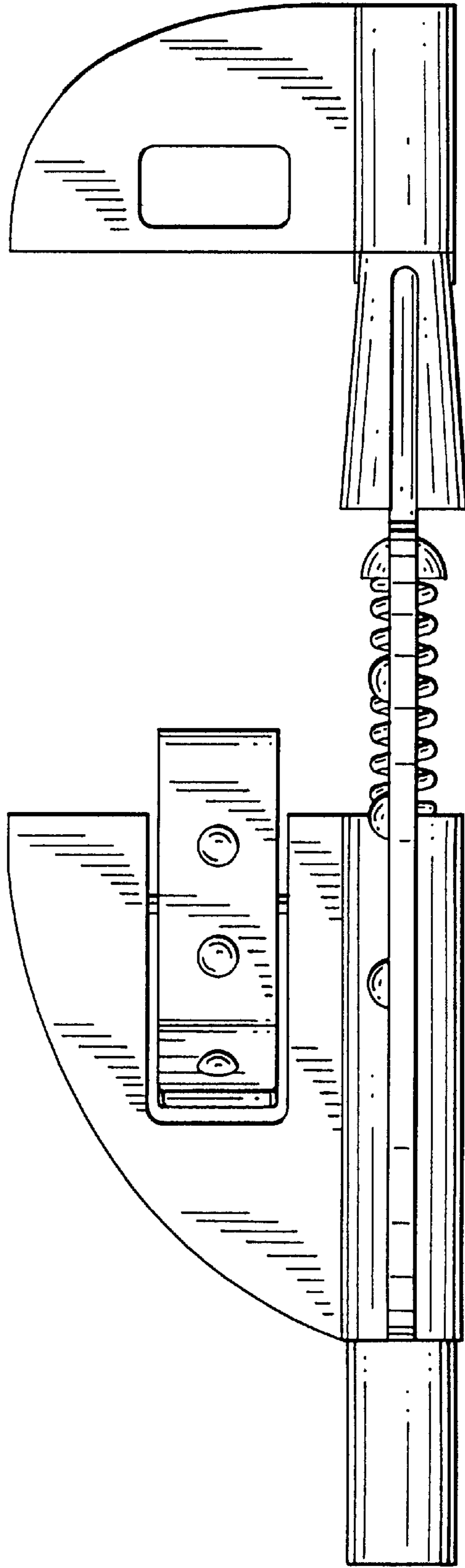


FIG.2

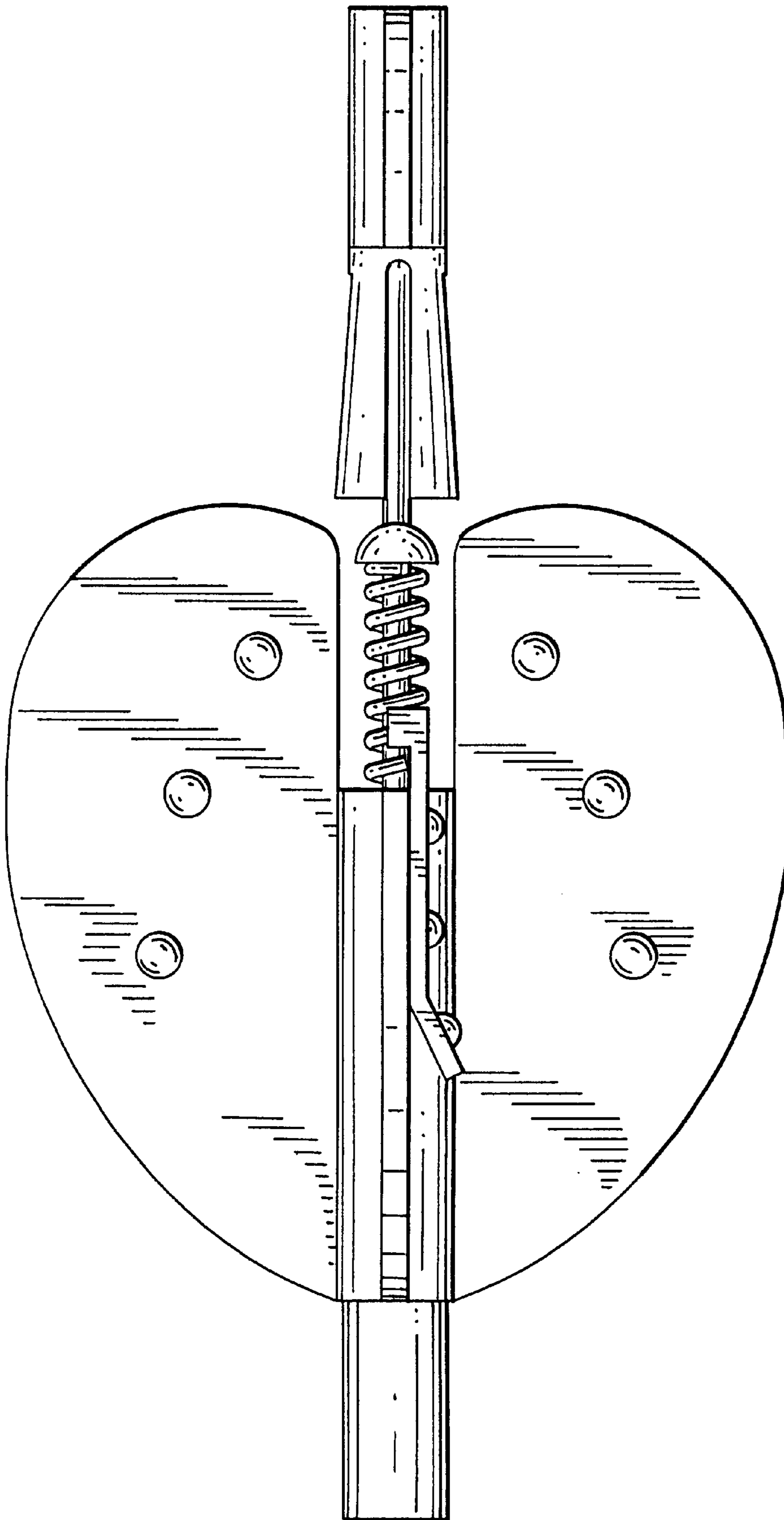


FIG.3

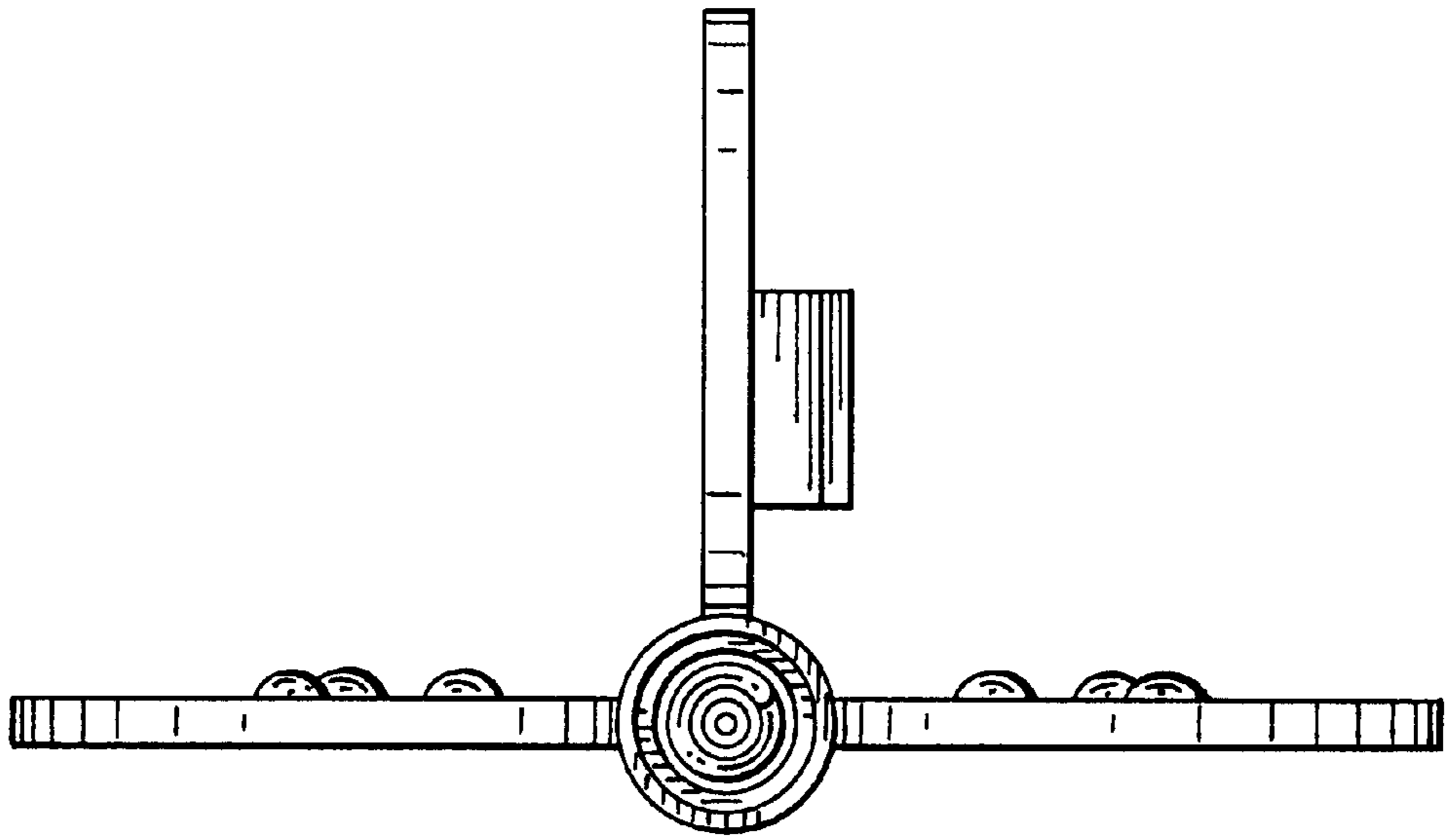


FIG. 4

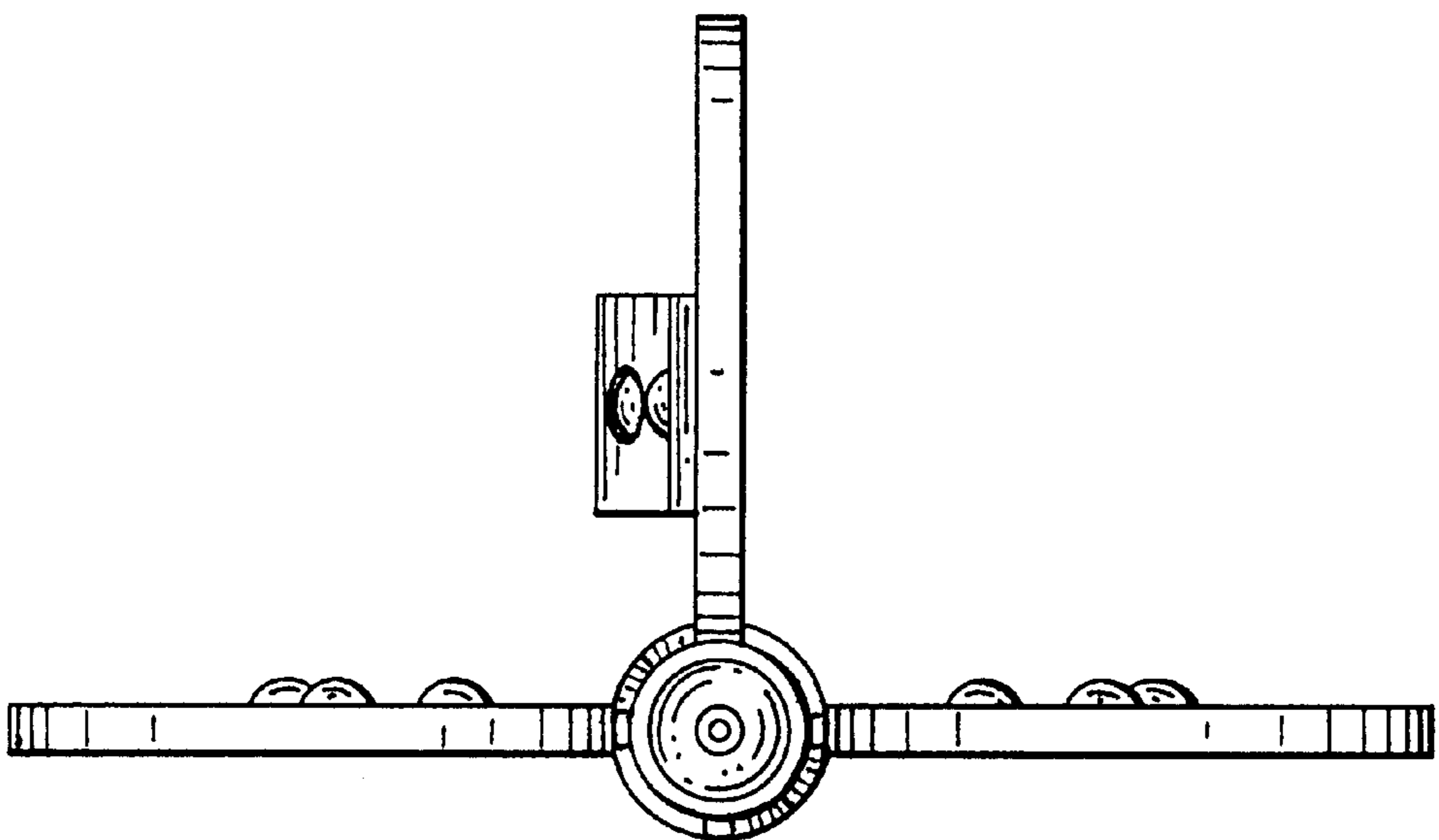


FIG. 5

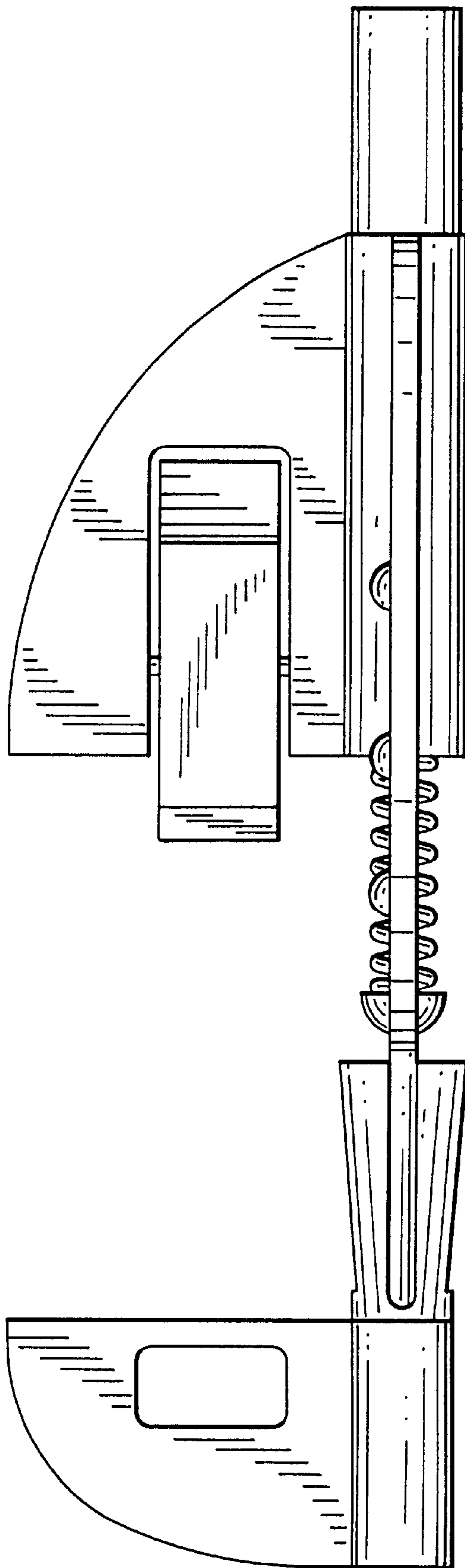


FIG. 6

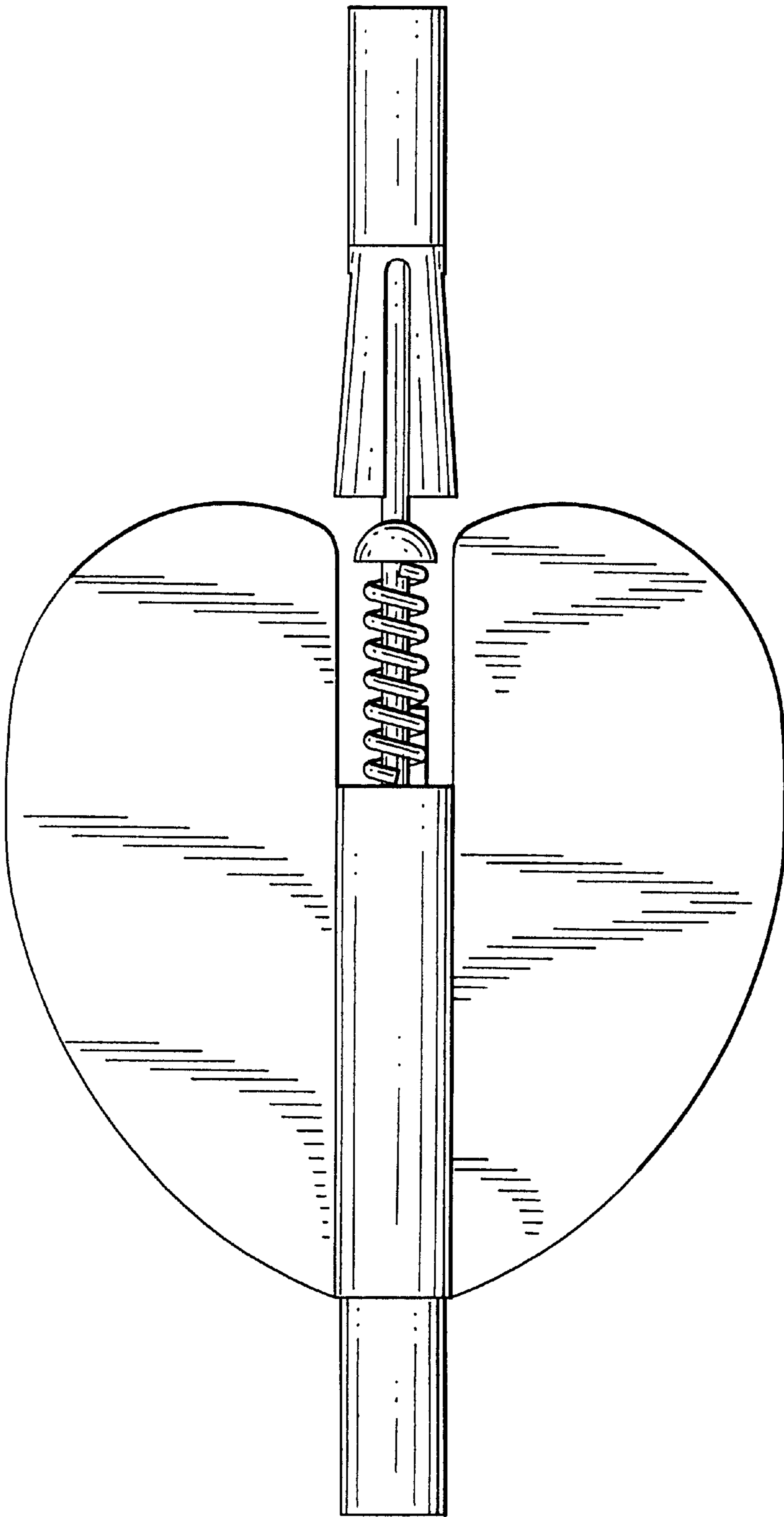


FIG. 7