



US00D451598B1

(12) **United States Design Patent**
McDonald et al.

(10) **Patent No.:** **US D451,598 S**

(45) **Date of Patent:** **** Dec. 4, 2001**

(54) **LIGHTWEIGHT OXYGEN DELIVERY SYSTEM**

(75) **Inventors:** **Lee McDonald; Maurice Lavimodiere,**
both of Barrie (CA)

(73) **Assignee:** **Southmedic Incorporated, Barrie (CA)**

(**) **Term:** **14 Years**

(21) **Appl. No.:** **29/141,424**

(22) **Filed:** **May 4, 2001**

(51) **LOC (7) Cl.** **29-02**

(52) **U.S. Cl.** **D24/110; D24/110.1; D24/110.4;**
D14/206

(58) **Field of Search** D24/110.4, 110.6,
D24/164, 110.1, 110; D14/206, 205, 142;
128/200.28, 207.11, 204.18, 202.18, 205.25,
206.12, 206.21, 206.27

(56) **References Cited**

U.S. PATENT DOCUMENTS

D. 410,921 * 6/1999 Luchs et al. D14/142

3,599,635 * 8/1971 Ansite 128/206.28

4,593,688 6/1986 Payton .

5,575,282 11/1996 Knoch et al. .

6,065,473 5/2000 McCombs et al. .

* cited by examiner

Primary Examiner—Ian Simmons

(74) *Attorney, Agent, or Firm*—Nikolai & Mersereau, P.A.

(57) **CLAIM**

The ornamental design for an lightweight oxygen delivery system, as shown and described.

DESCRIPTION

FIG. 1 is a perspective view of the oxygen delivery system;

FIG. 2 is an elevation view from the rear.

FIG. 3 is an elevation view from the front.

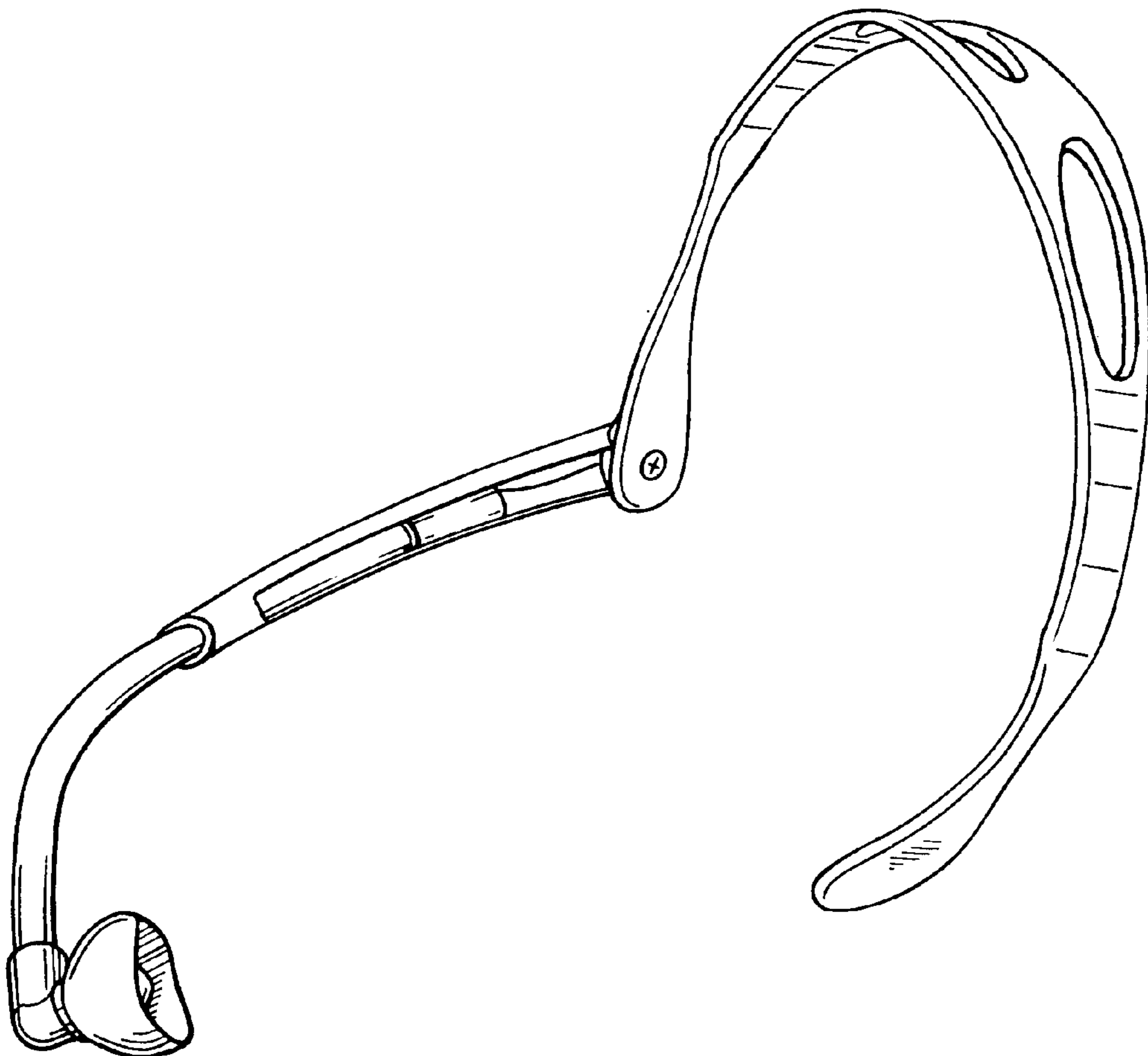
FIG. 4 is an elevation view from the side.

FIG. 5 is an elevation view from the other side.

FIG. 6 is a plan view from below; and,

FIG. 7 is a plan view from above.

1 Claim, 2 Drawing Sheets



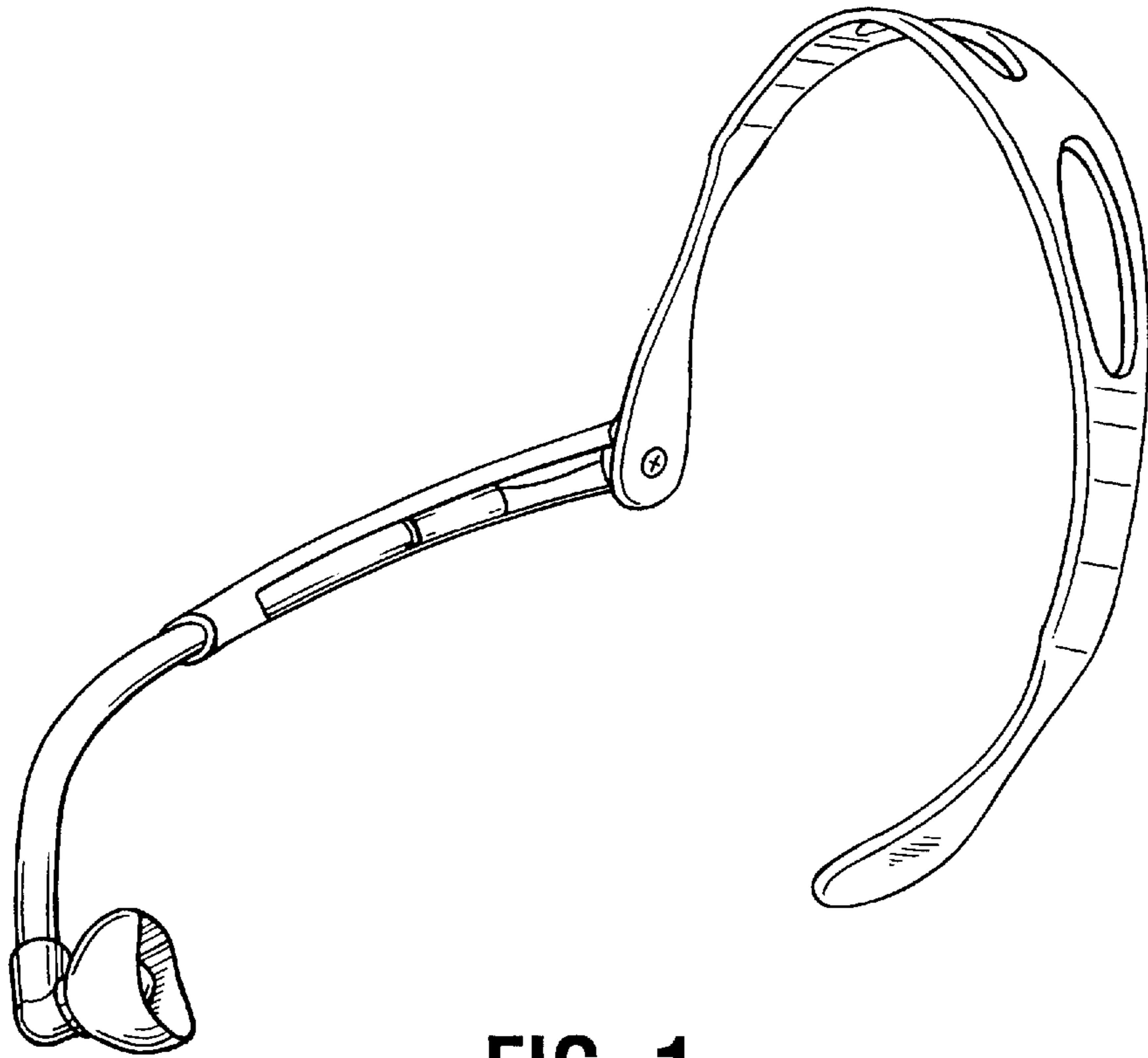


FIG. 1

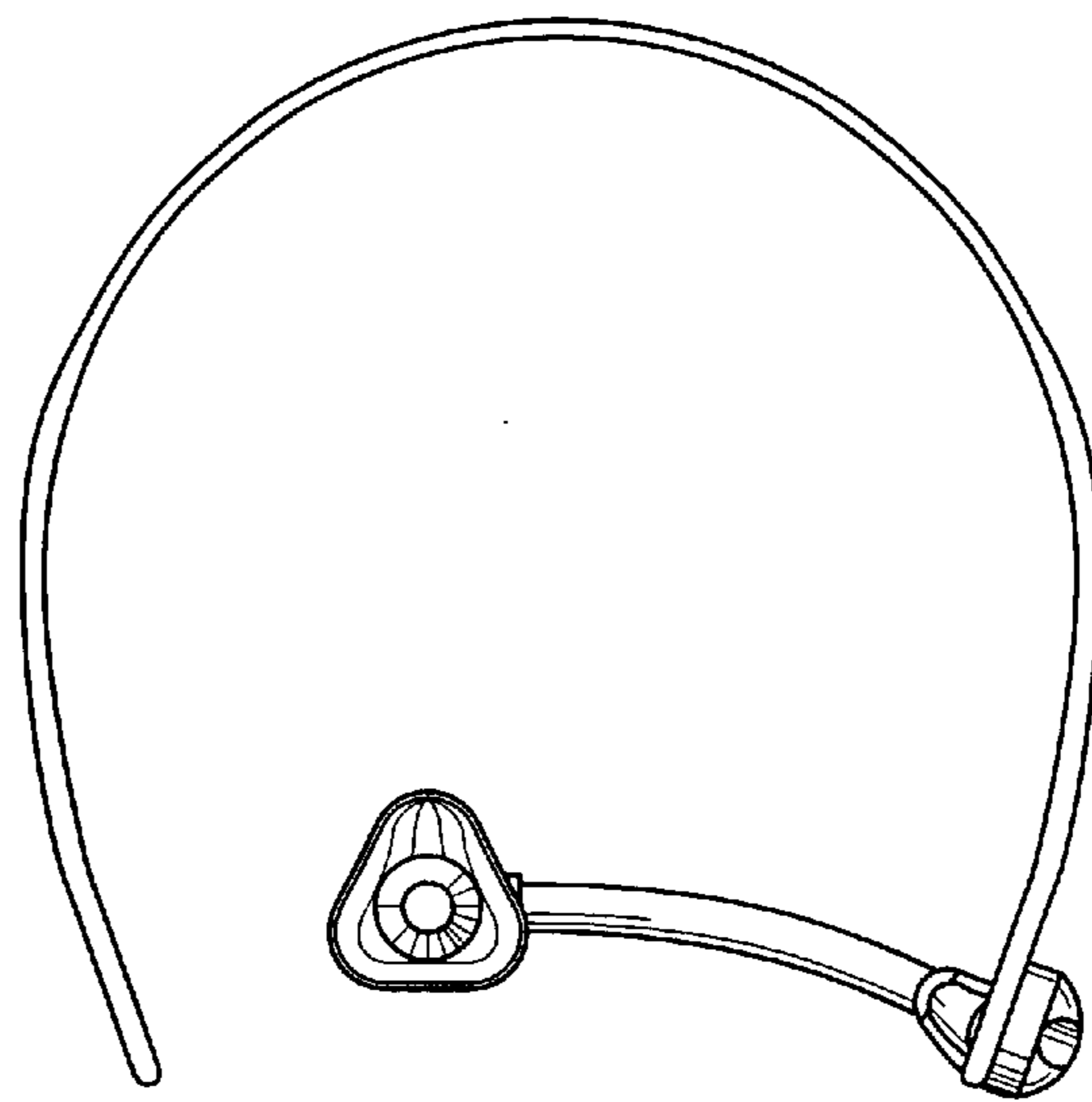


FIG. 2

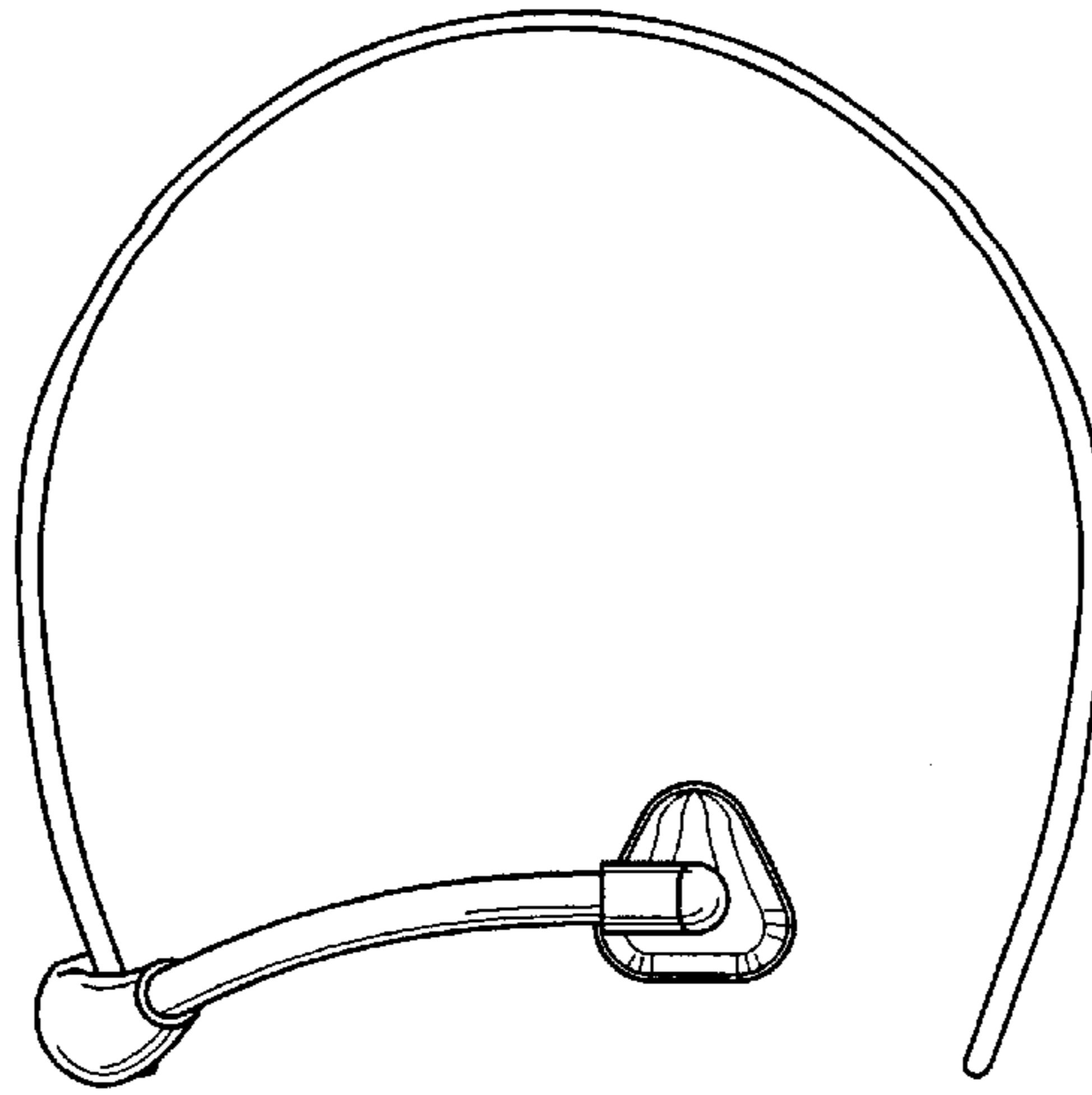


FIG. 3

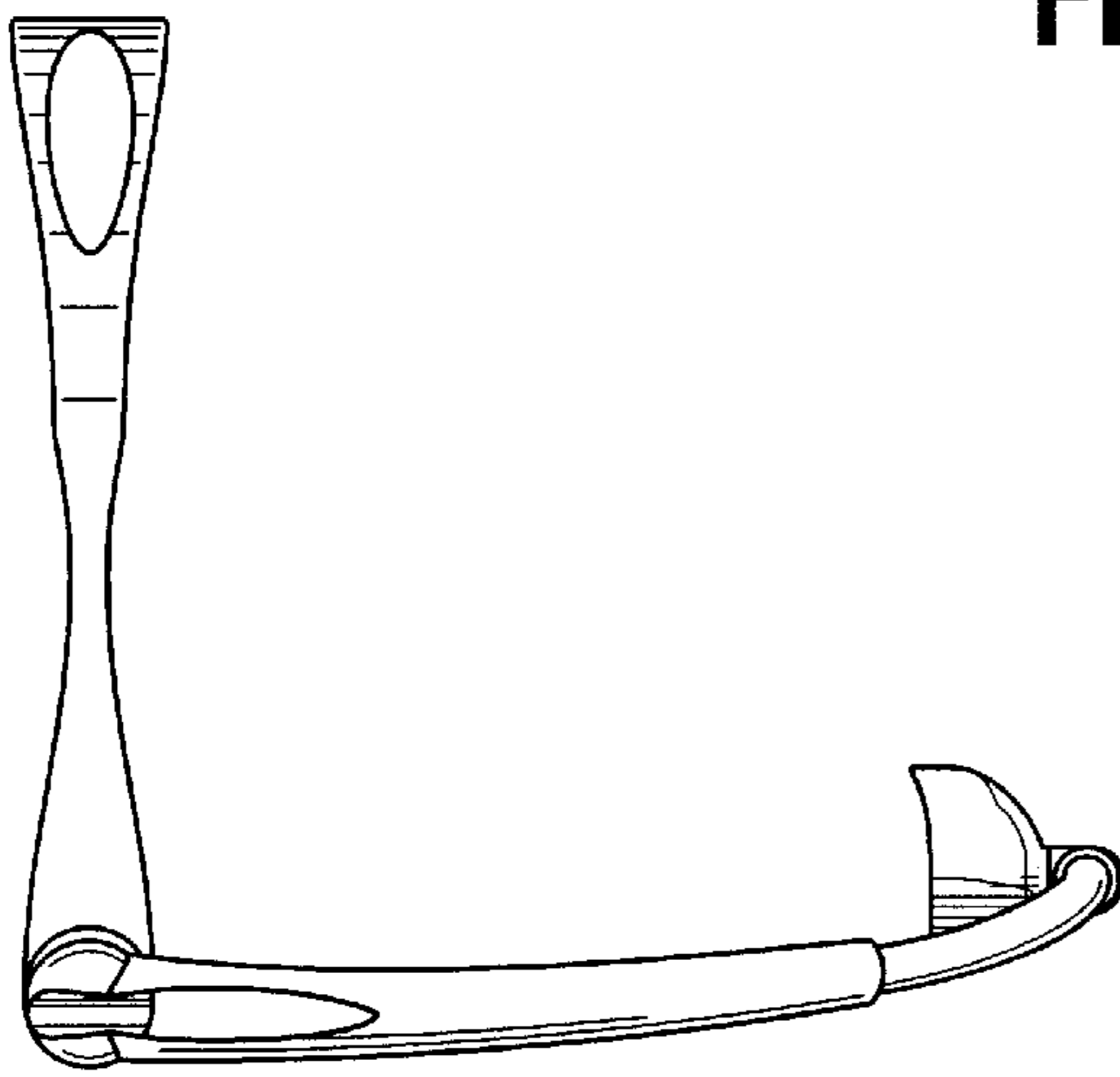


FIG. 4

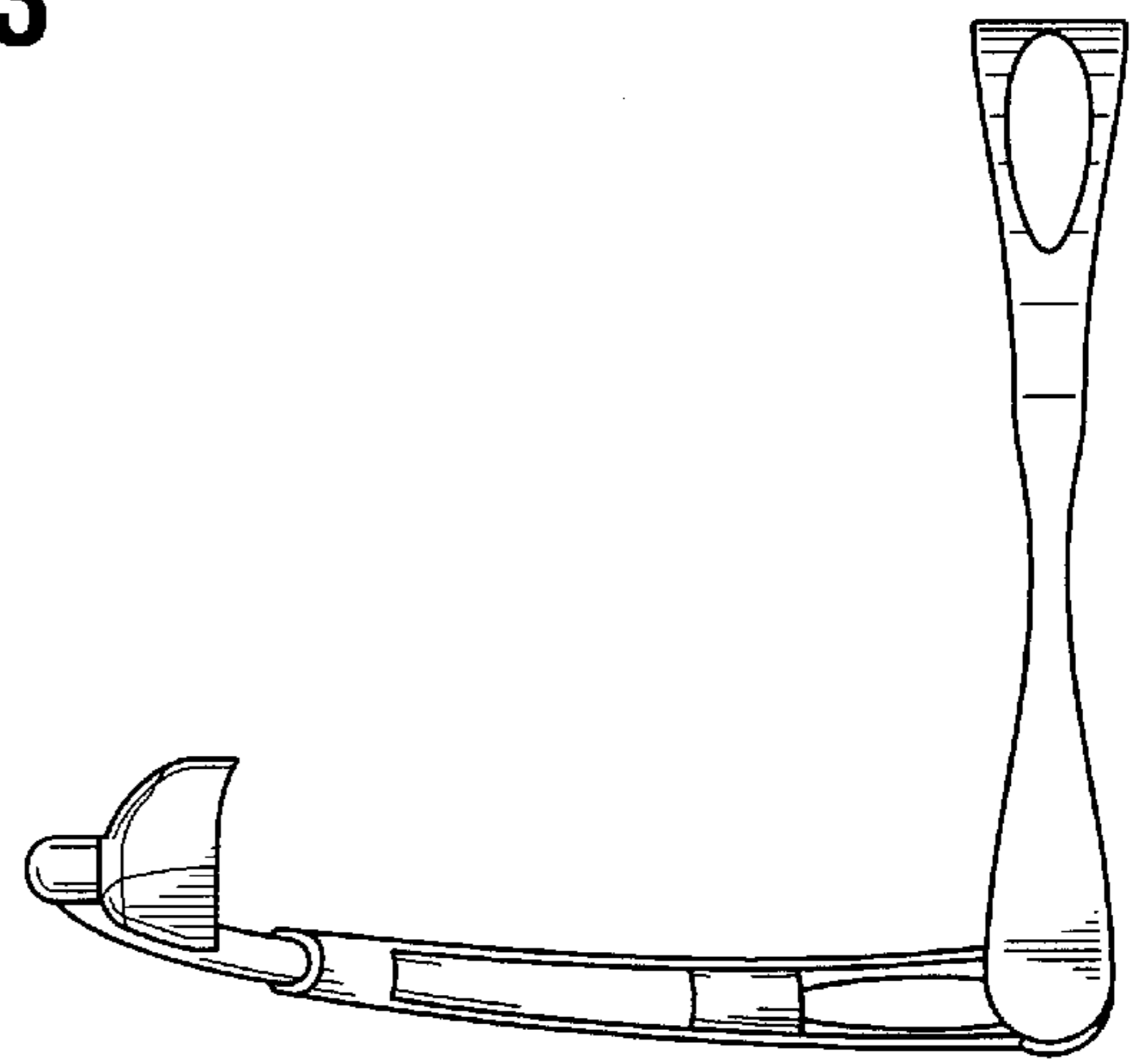


FIG. 5

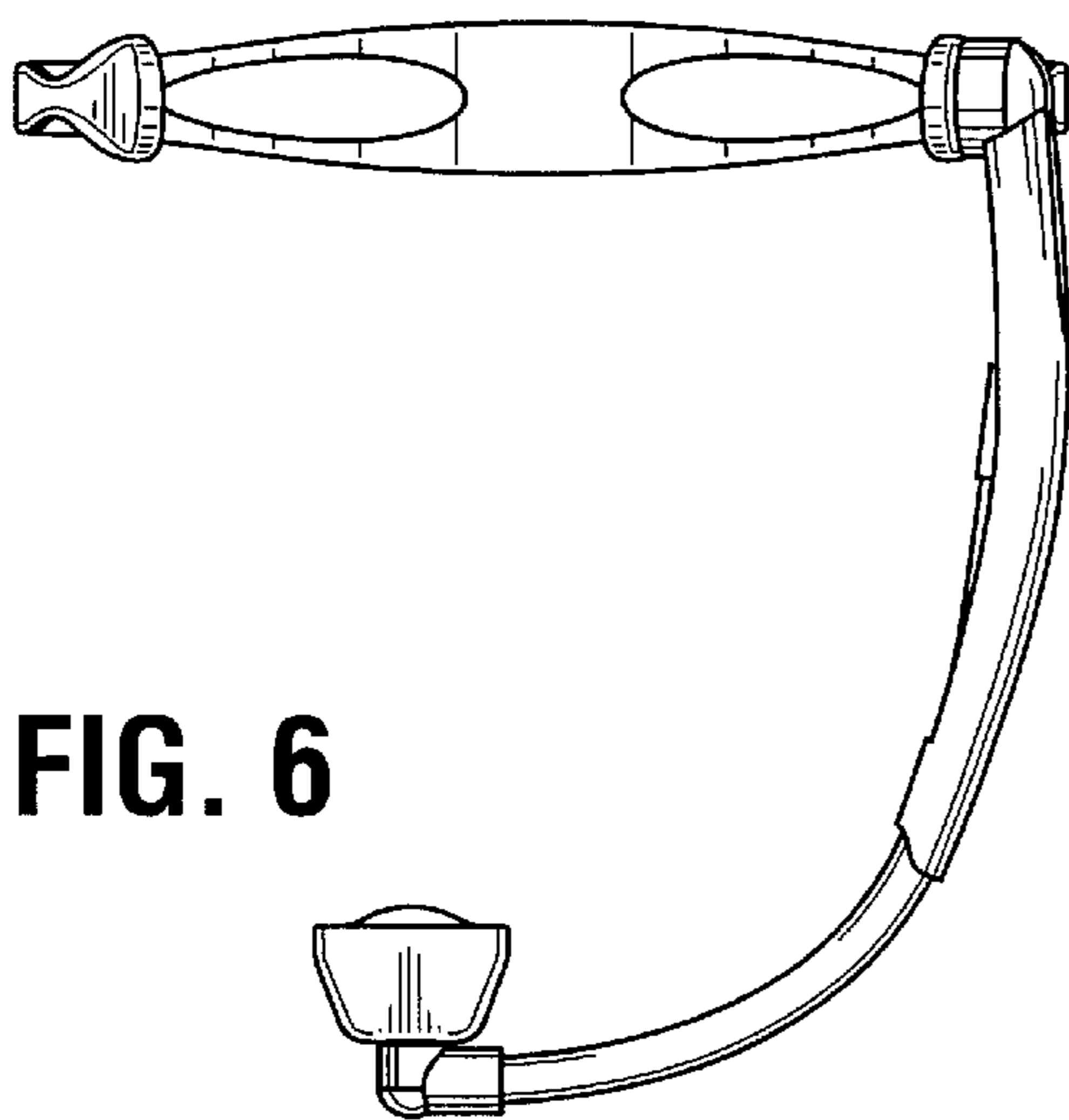


FIG. 6

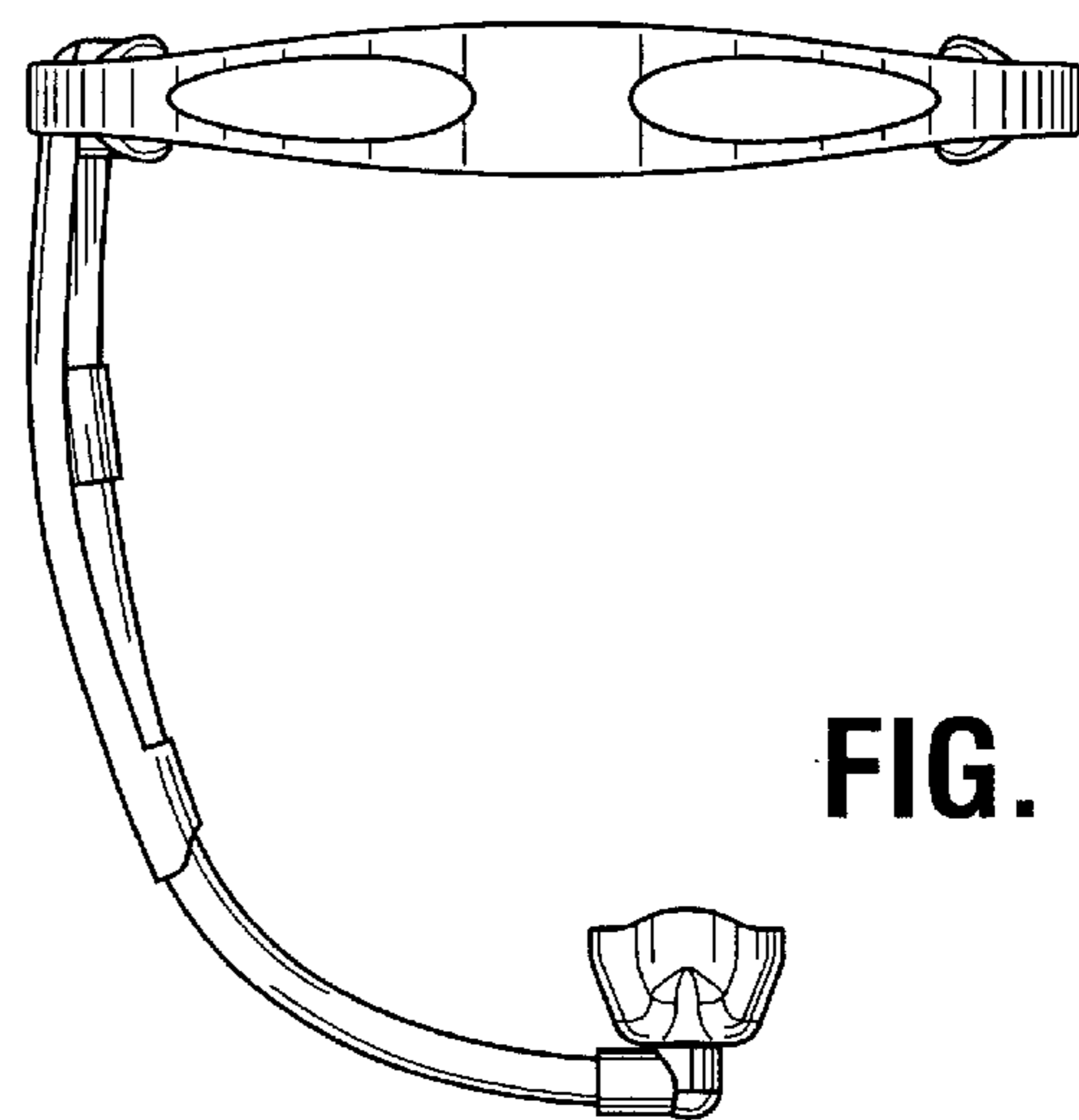


FIG. 7