



US00D451596B1

(12) **United States Design Patent**  
**Baczkowski**

(10) **Patent No.:** **US D451,596 S**

(45) **Date of Patent:** **\*\* Dec. 4, 2001**

(54) **ANALGESIA MACHINE**

(75) **Inventor:** **Paul S. Baczkowski**, Orchard Park, NY (US)

(73) **Assignee:** **MDS Matrx**, Orchard Park, NY (US)

(\*\*) **Term:** **14 Years**

(21) **Appl. No.:** **29/116,016**

(22) **Filed:** **Dec. 22, 1999**

(51) **LOC (7) Cl.** ..... **24-02**

(52) **U.S. Cl.** ..... **D24/107**

(58) **Field of Search** ..... D24/107, 110,  
D24/164, 186, 185, 152; 128/203.14, 204.13,  
205.12, 203.25

(56) **References Cited**

**U.S. PATENT DOCUMENTS**

- D. 312,307 \* 11/1990 Leibson et al. .... D24/107
- D. 315,950 \* 4/1991 Lundy ..... D24/108
- D. 375,158 \* 10/1996 Milani et al. .... D24/110

\* cited by examiner

*Primary Examiner*—Ian Simmons

(74) *Attorney, Agent, or Firm*—Phillips, Lytle, Hitchcock, Blaine & Huber LLP

(57) **CLAIM**

The ornamental design for an analgesia machine, as shown and described.

**DESCRIPTION**

FIG. 1 is a perspective view of the analgesia machine.

FIG. 2 is a front end elevation of the analgesia machine shown in FIG. 1.

FIG. 3 is a rear end elevation of the analgesia machine shown in FIG. 1.

FIG. 4 is a bottom plan view of the analgesia machine shown in FIG. 1.

FIG. 5 is a top plan view of the analgesia machine shown in FIG. 1.

FIG. 6 is a right side elevation of the analgesia machine shown in FIG. 1; and,

FIG. 7 is a left side elevation of the analgesia machine shown in FIG. 1.

The tube in FIGS. 4 and 5 is shown partially removed for ease of illustration.

**1 Claim, 7 Drawing Sheets**

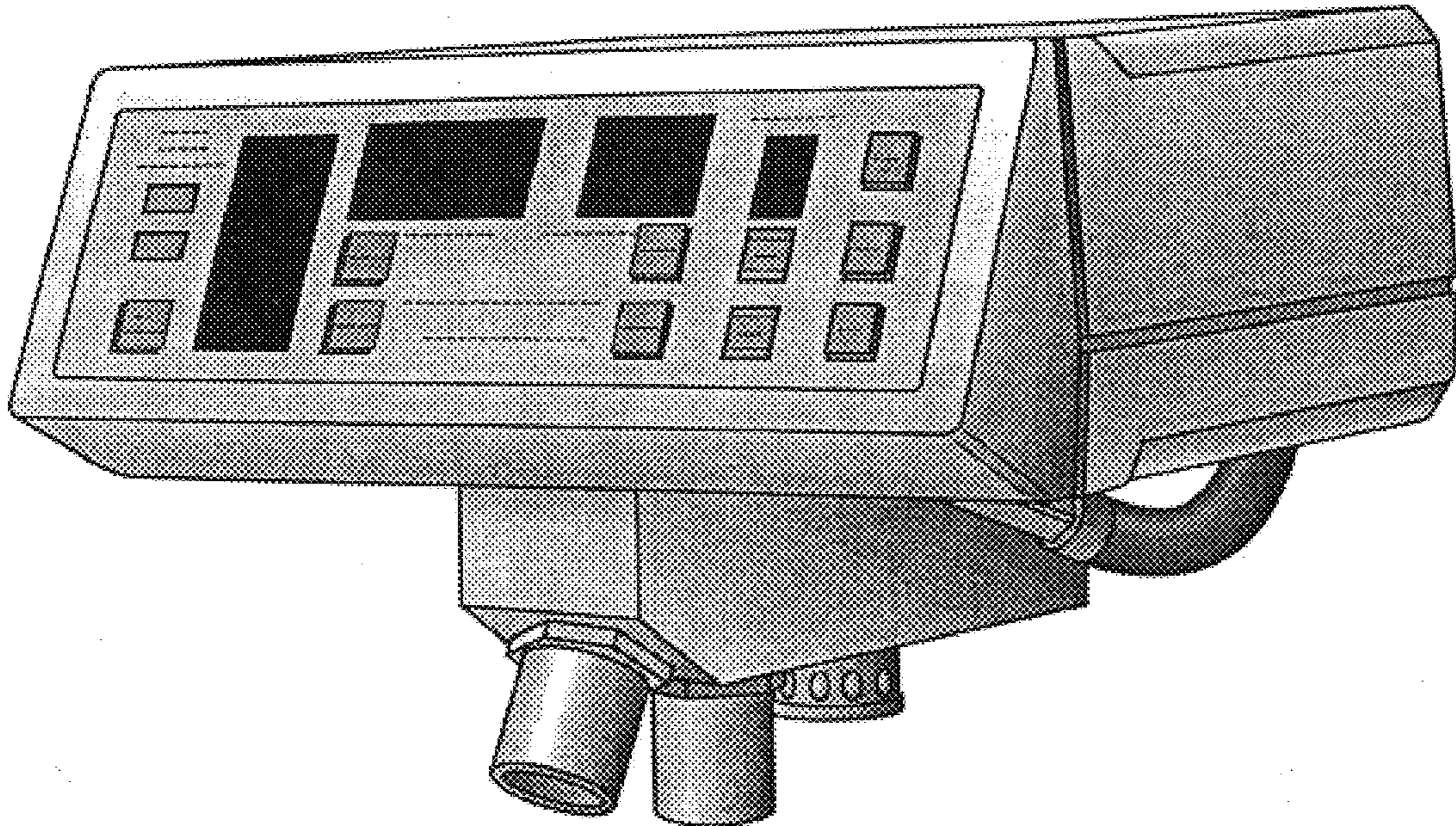


Fig. 1

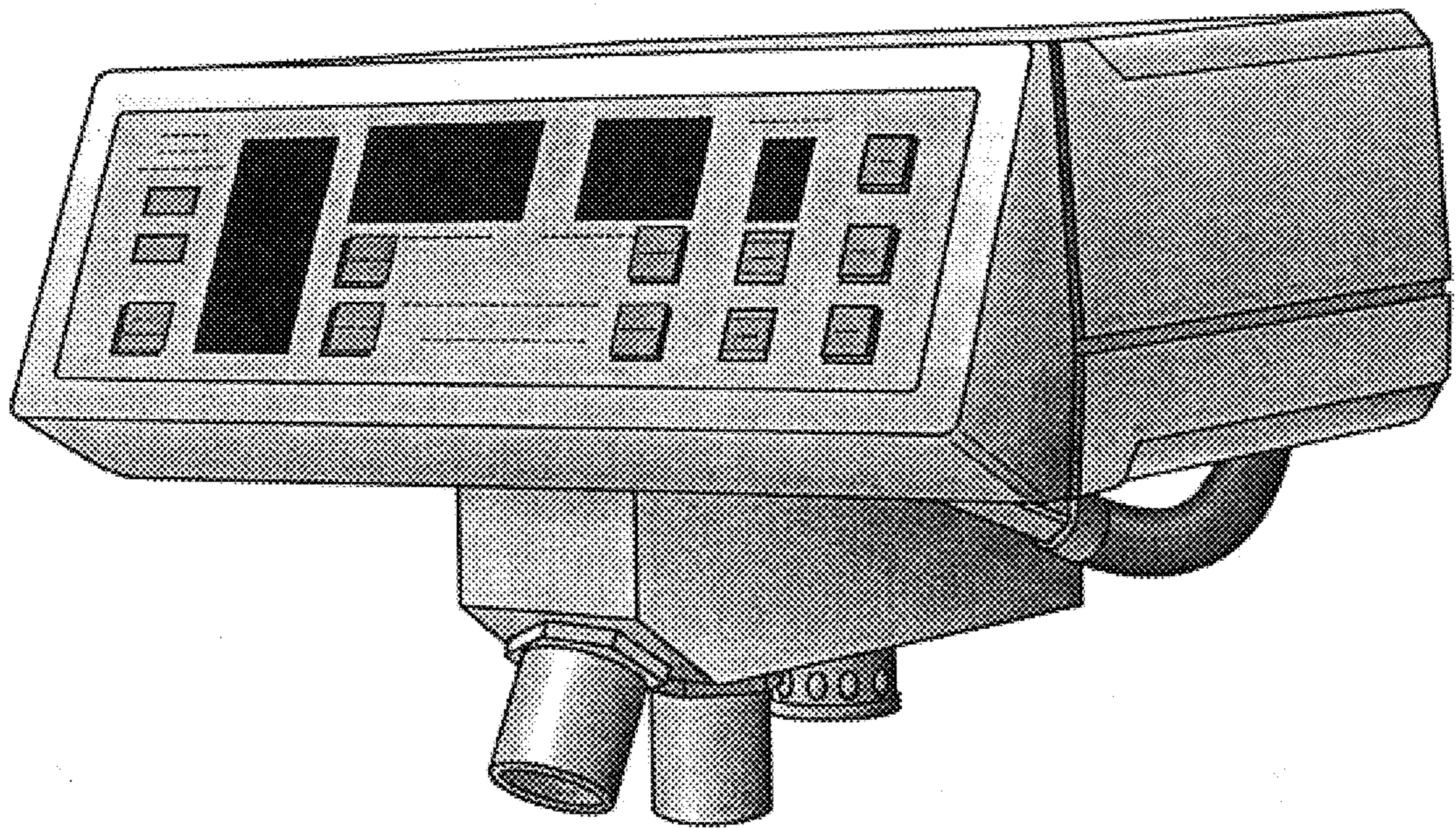


Fig. 2

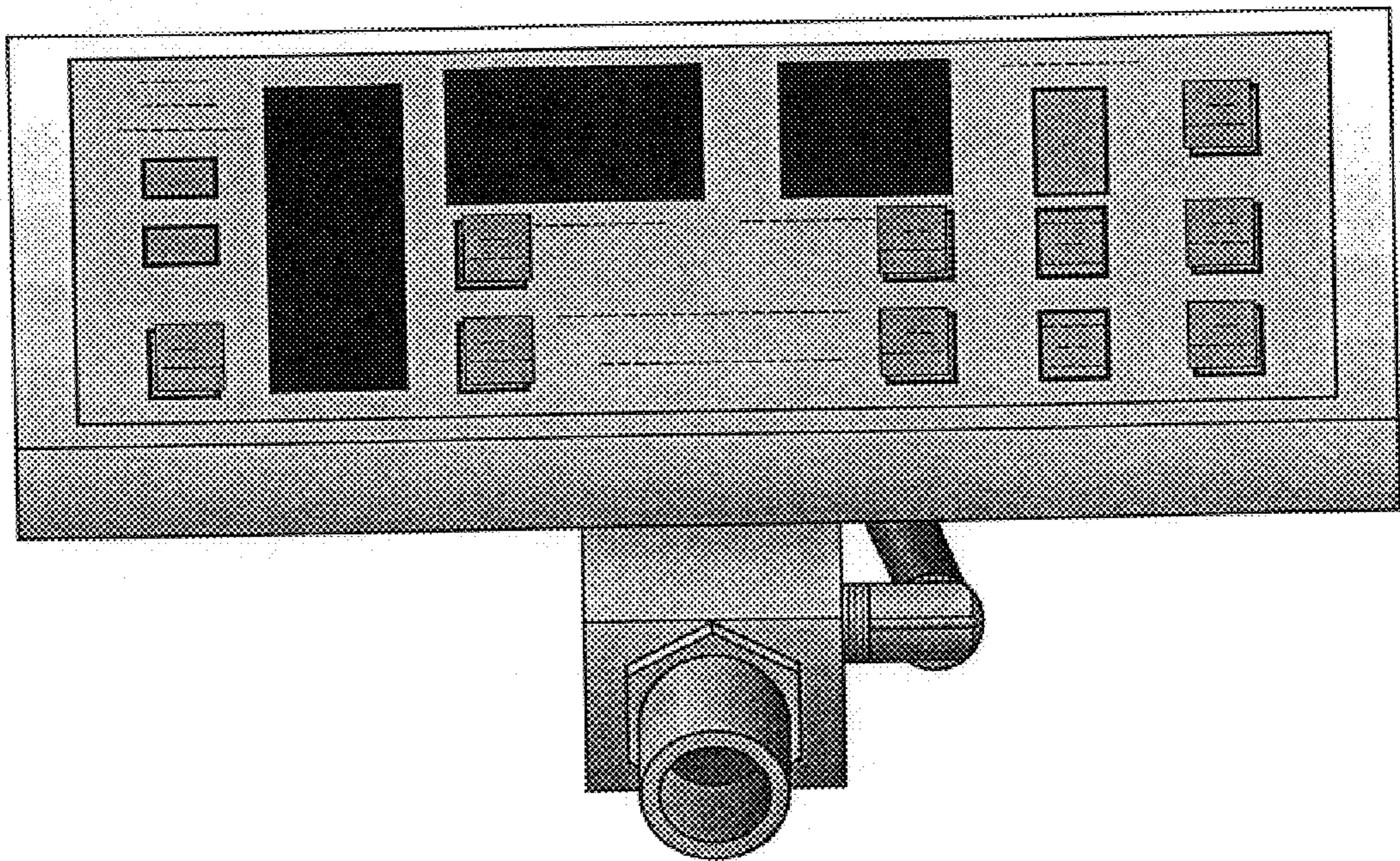


Fig. 3

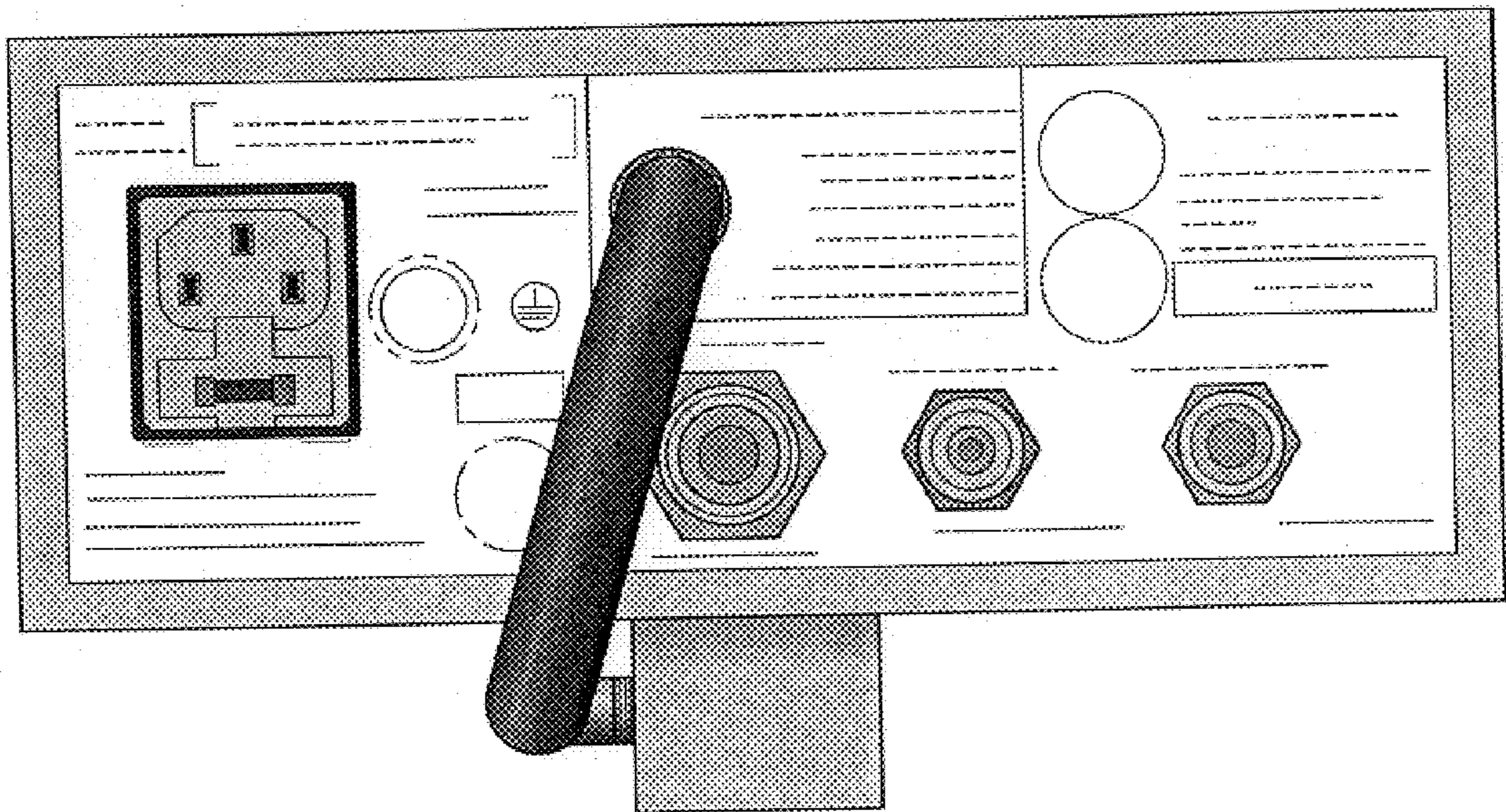


Fig. 4

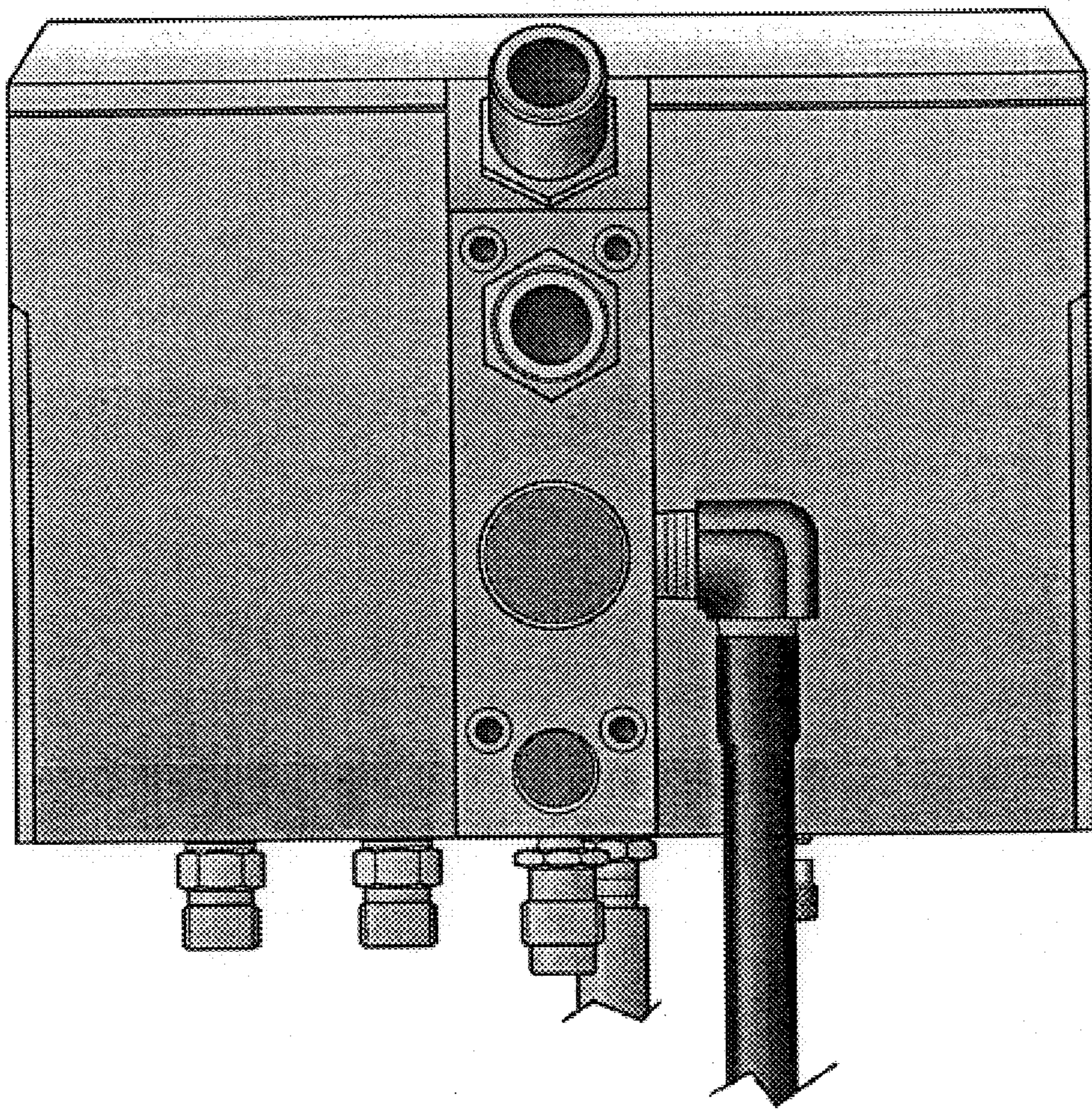


Fig. 5

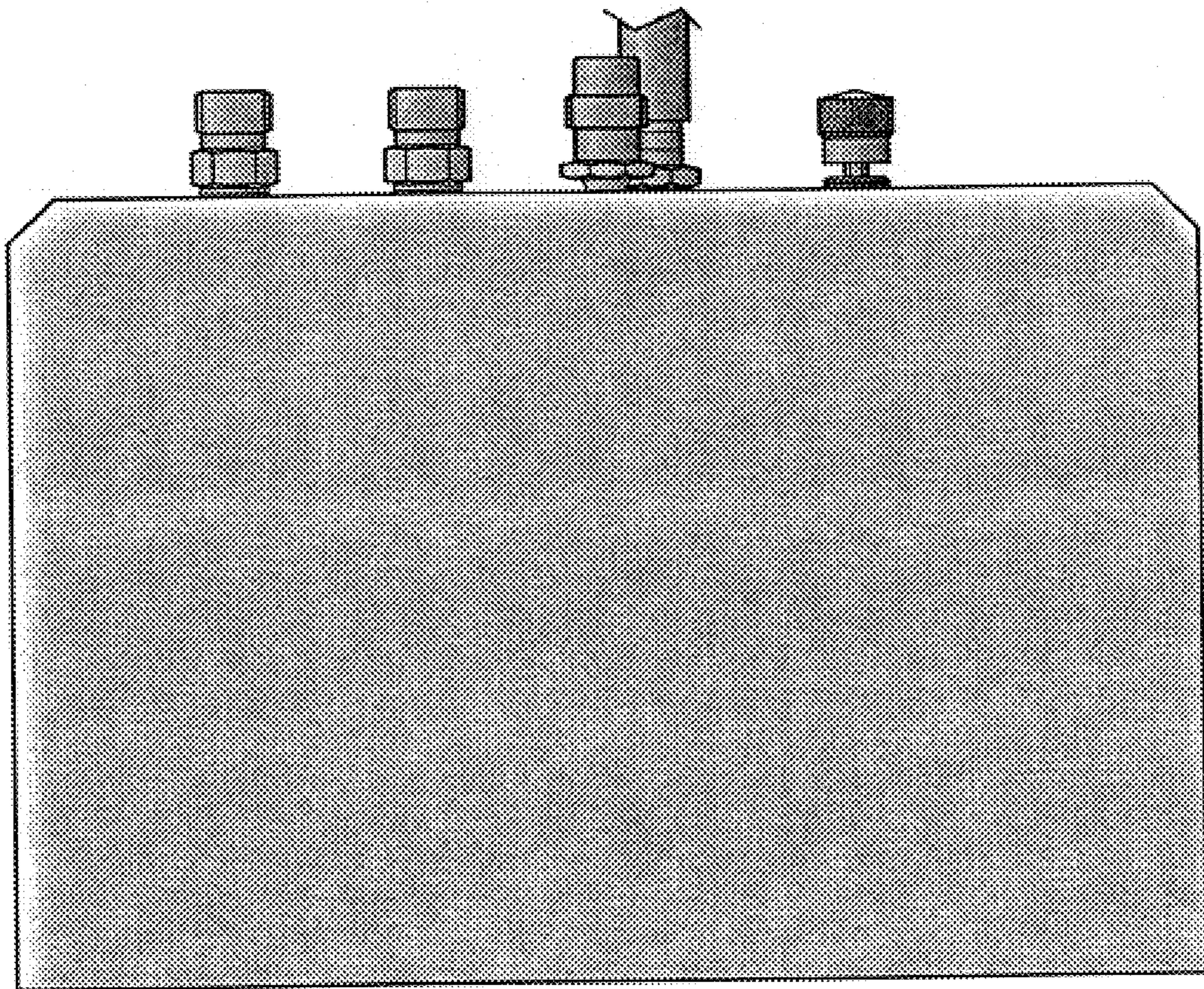


Fig. 6

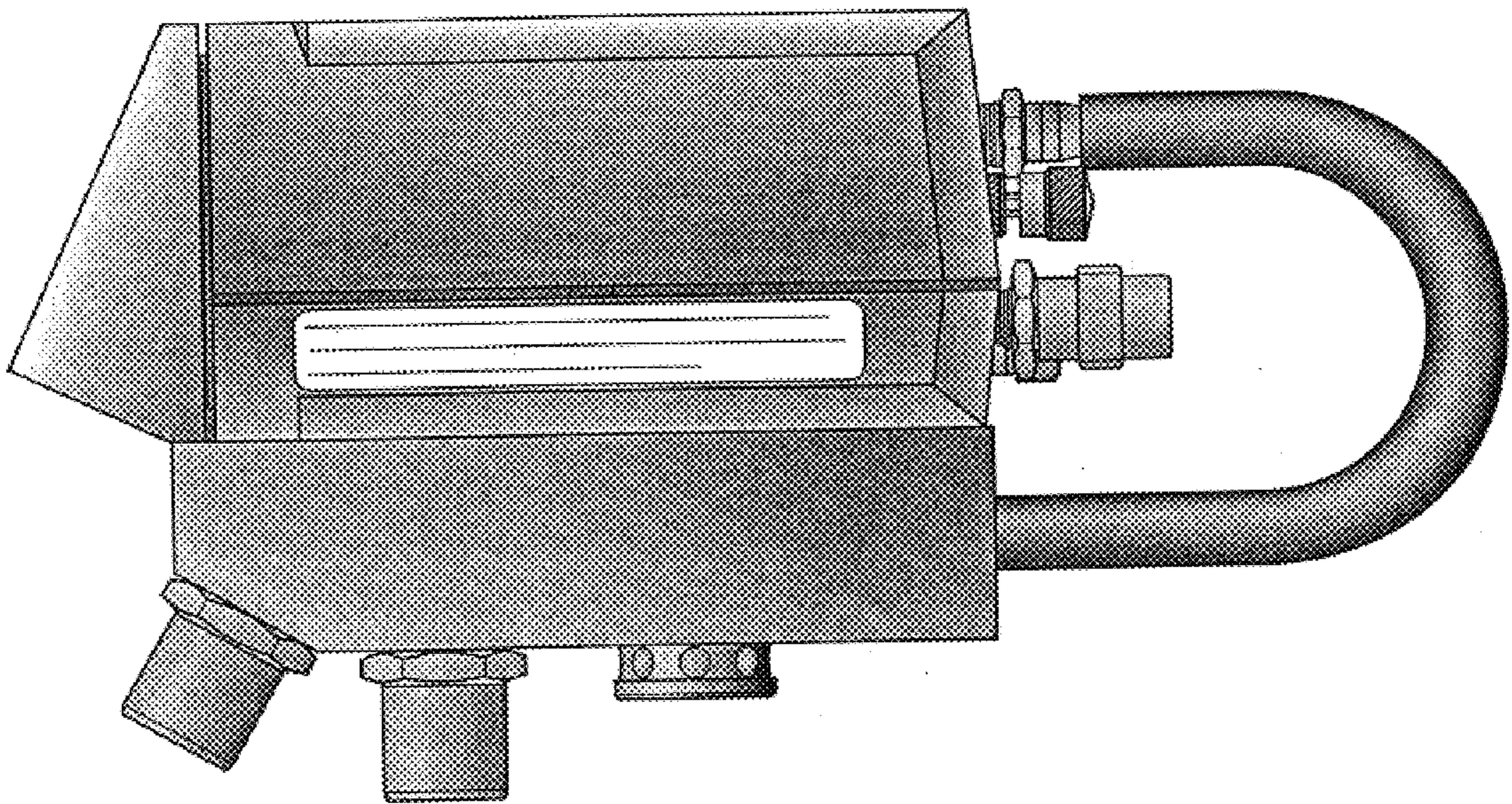


Fig. 7

